



US00D601497S

(12) **United States Design Patent**  
**Aglassinger**

(10) **Patent No.:** **US D601,497 S**

(45) **Date of Patent:** **\*\* Oct. 6, 2009**

(54) **CHARGING DEVICE**

(75) Inventor: **Hans-Peter Aglassinger**, Esslingen (DE)

(73) Assignee: **Robert Bosch GmbH**, Stuttgart (DE)

(\*\*) Term: **14 Years**

(21) Appl. No.: **29/333,307**

(22) Filed: **Mar. 6, 2009**

(30) **Foreign Application Priority Data**

Nov. 13, 2008 (EM) ..... 001038921

(51) **LOC (9) Cl.** ..... **13-02**

(52) **U.S. Cl.** ..... **D13/107**

(58) **Field of Classification Search** ..... D13/102,  
D13/107-110, 118-119, 184; D14/251,  
D14/253, 432, 434; 320/107-115  
See application file for complete search history.

(56) **References Cited**

**U.S. PATENT DOCUMENTS**

D221,826 S *	9/1971	Cook	.....	D4/199
D460,971 S *	7/2002	Sica et al.	.....	D14/434
D466,700 S *	12/2002	Richmond et al.	.....	D4/199
D471,578 S *	3/2003	Okuley	.....	D16/242
D488,439 S *	4/2004	Orthey	.....	D13/107
D525,583 S *	7/2006	Vu	.....	D13/108
D532,744 S *	11/2006	Aglassinger	.....	D13/108

D533,134 S *	12/2006	Aglassinger	.....	D13/108
D541,740 S *	5/2007	Tsai et al	.....	D13/108
D547,265 S *	7/2007	Aglassinger	.....	D13/108
D551,617 S *	9/2007	Houghton	.....	D13/108
D563,314 S *	3/2008	Kingston et al.	.....	D13/108
D578,061 S *	10/2008	Kristensen	.....	D13/110

\* cited by examiner

*Primary Examiner*—Rosemary K Tarcza

(74) *Attorney, Agent, or Firm*—Victor A. Henzi

(57) **CLAIM**

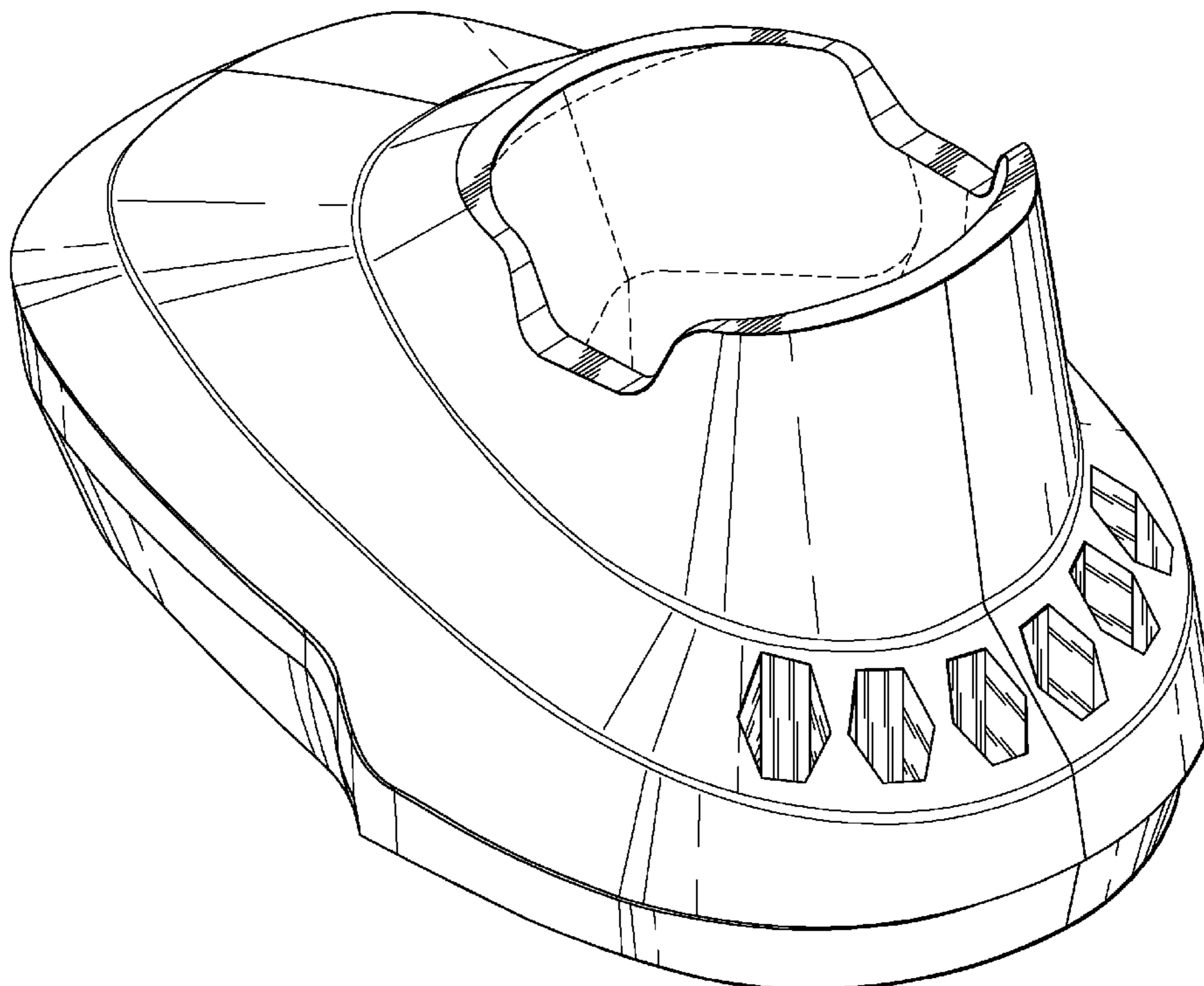
The ornamental design for the charging device, as shown and described.

**DESCRIPTION**

FIG. 1 is a front right perspective view of the charging device; FIG. 2 is a right elevational view thereof; FIG. 3 is a left elevational view thereof; FIG. 4 is a front elevational view thereof; FIG. 5 is a rear elevational view thereof; FIG. 6 is a top plan view thereof; and, FIG. 7 is a bottom plan view thereof.

The broken lines shown in the drawings are included for the purpose of illustrating environmental structure and form no part of the claimed design.

**1 Claim, 4 Drawing Sheets**



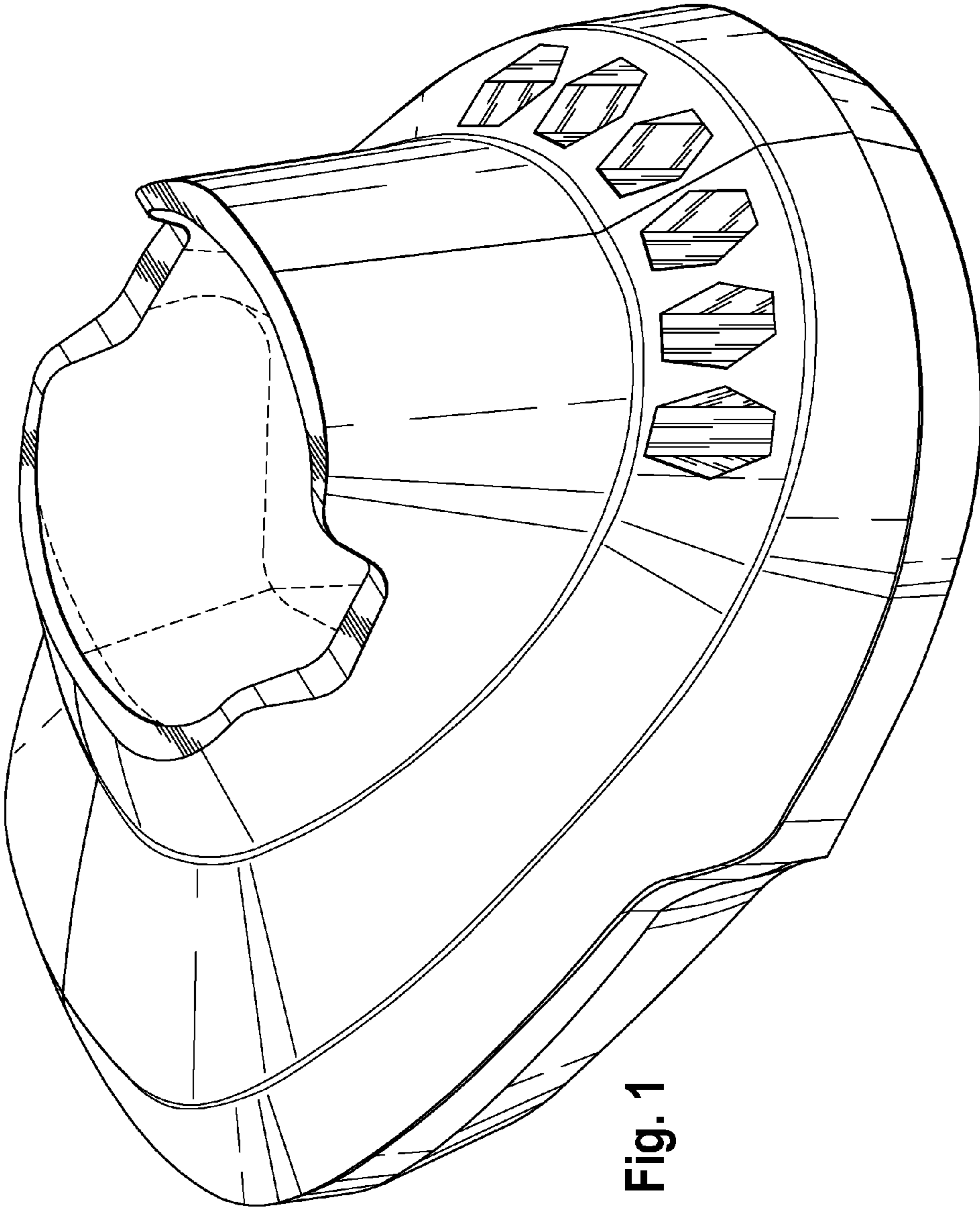


Fig. 1

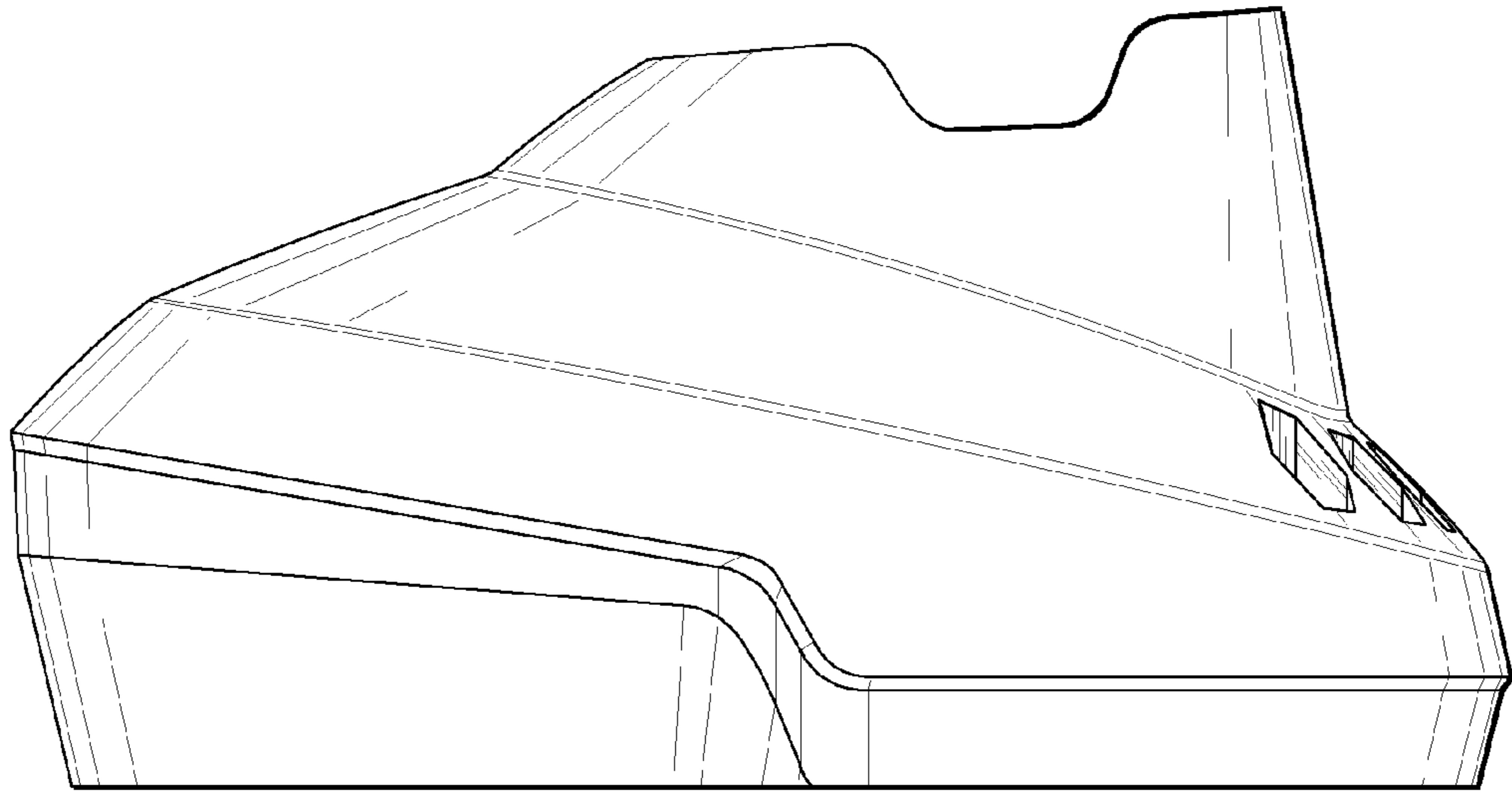


Fig. 2

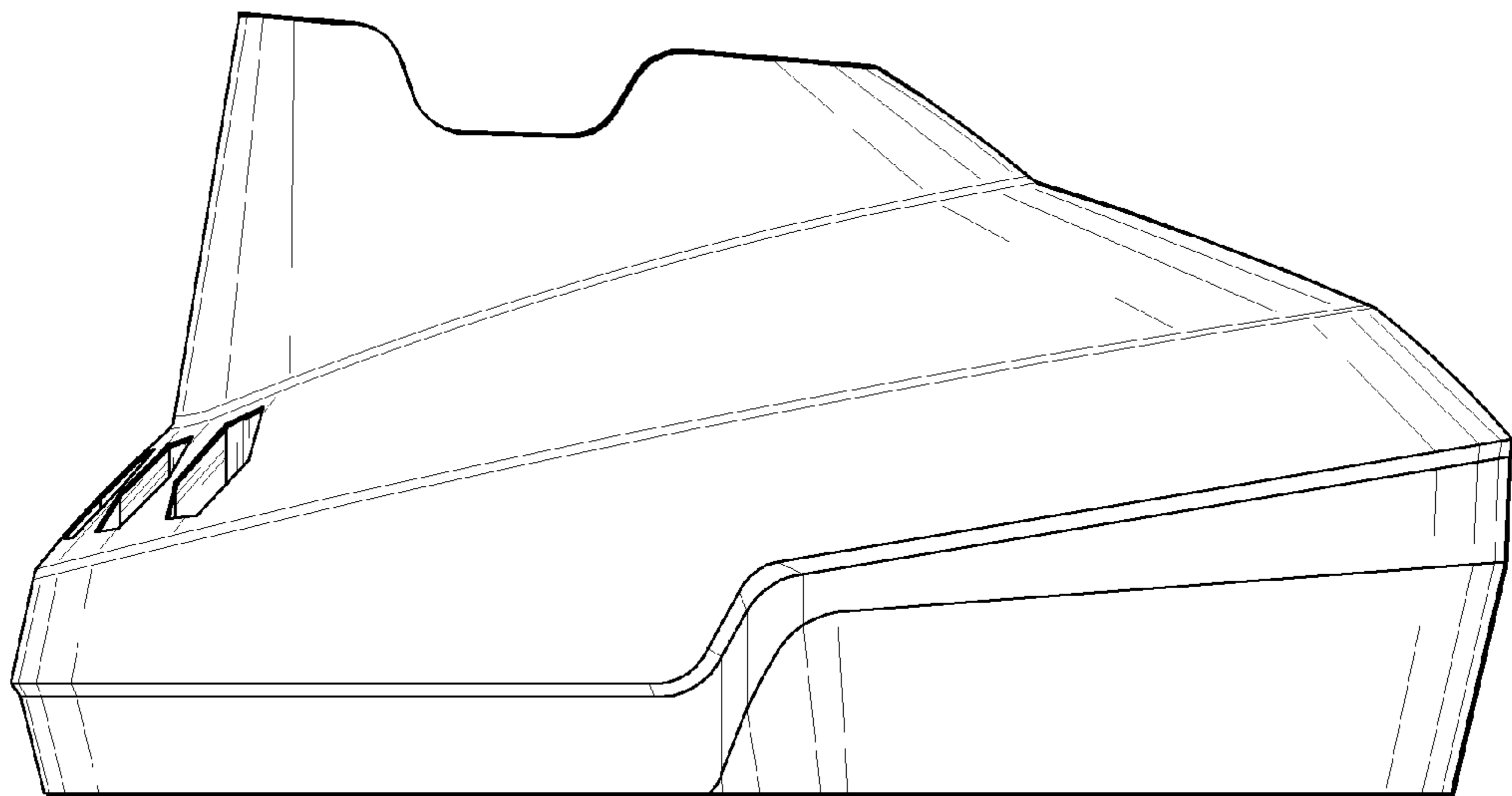


Fig. 3

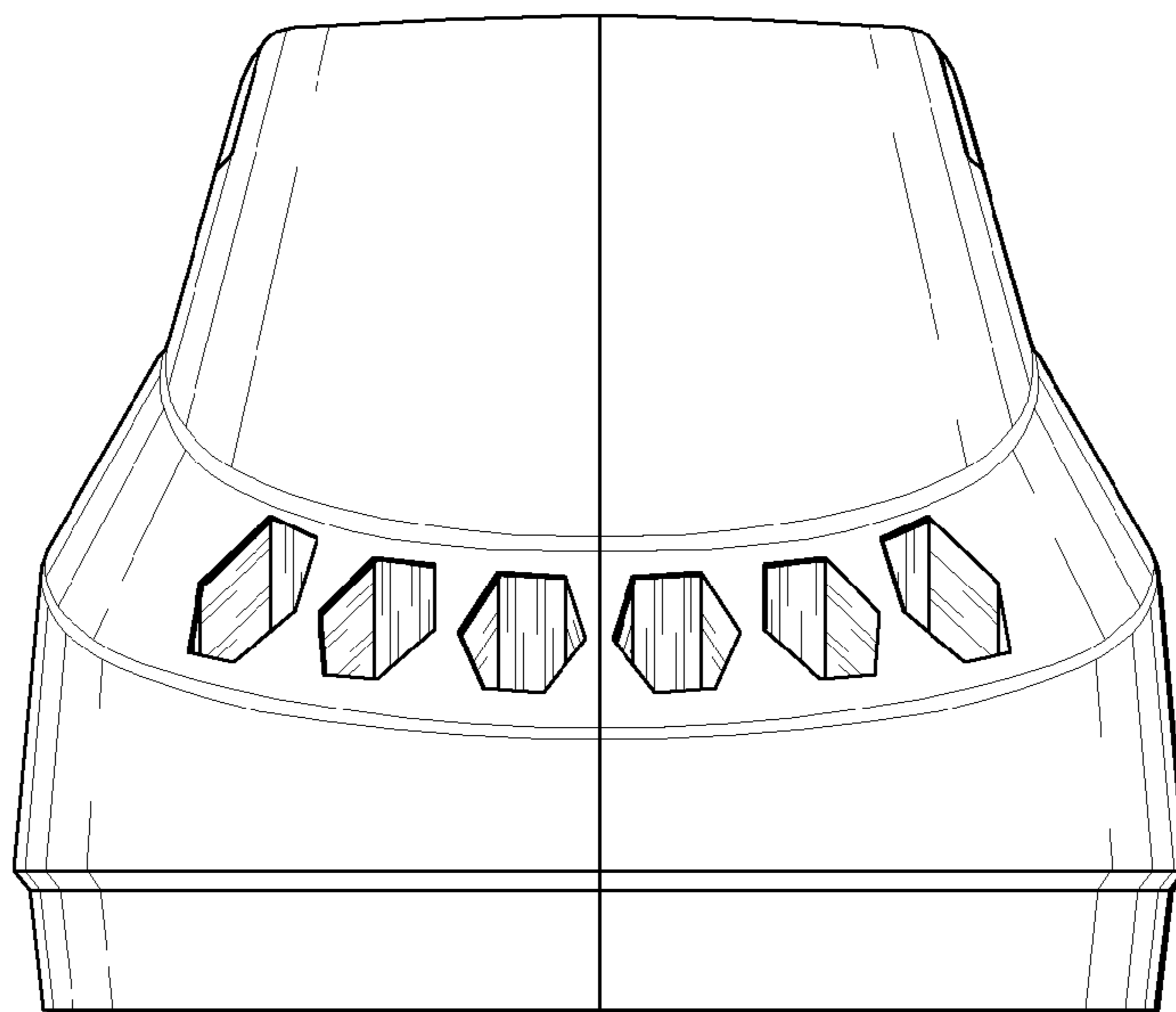


Fig. 4

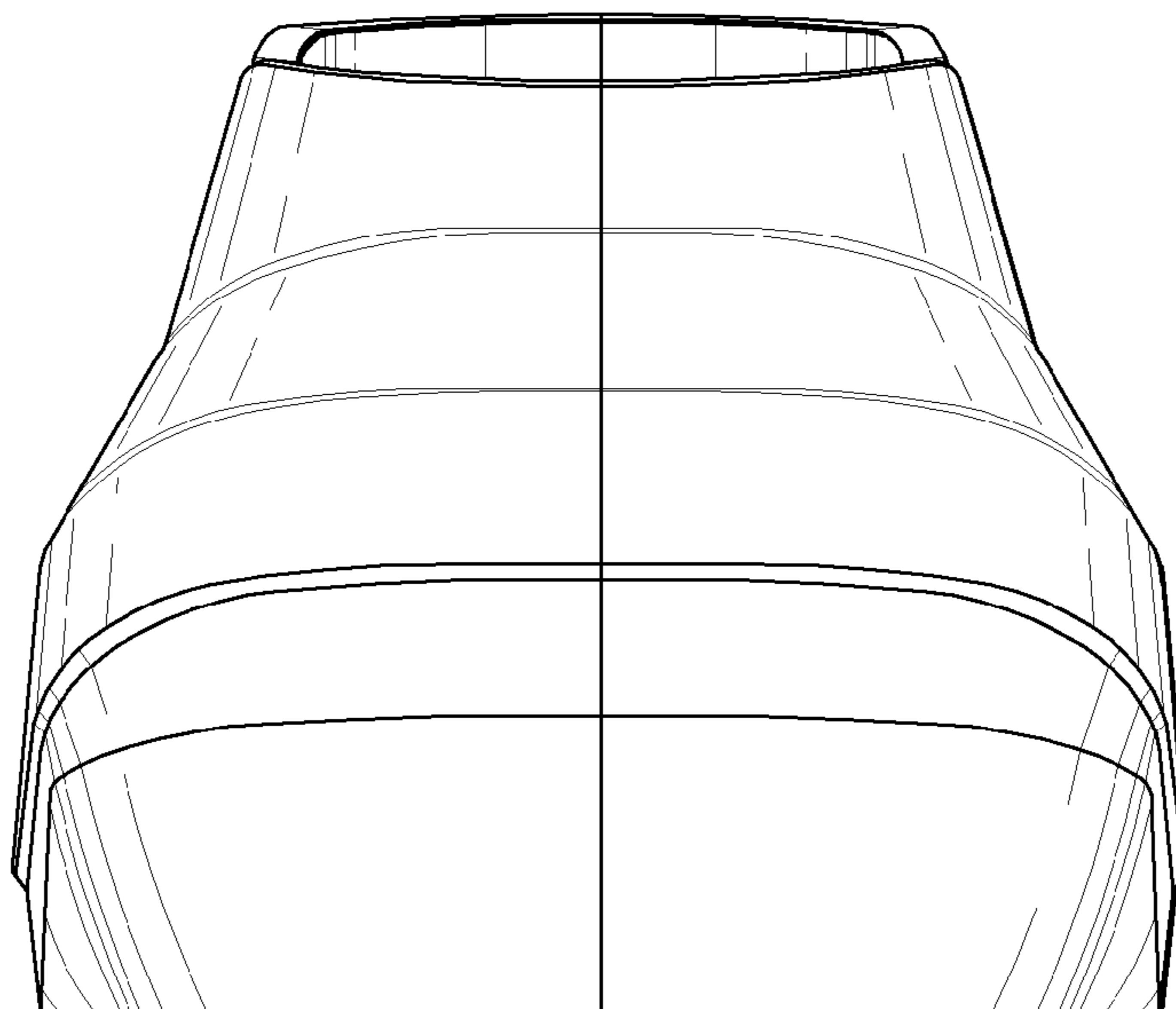


Fig. 5

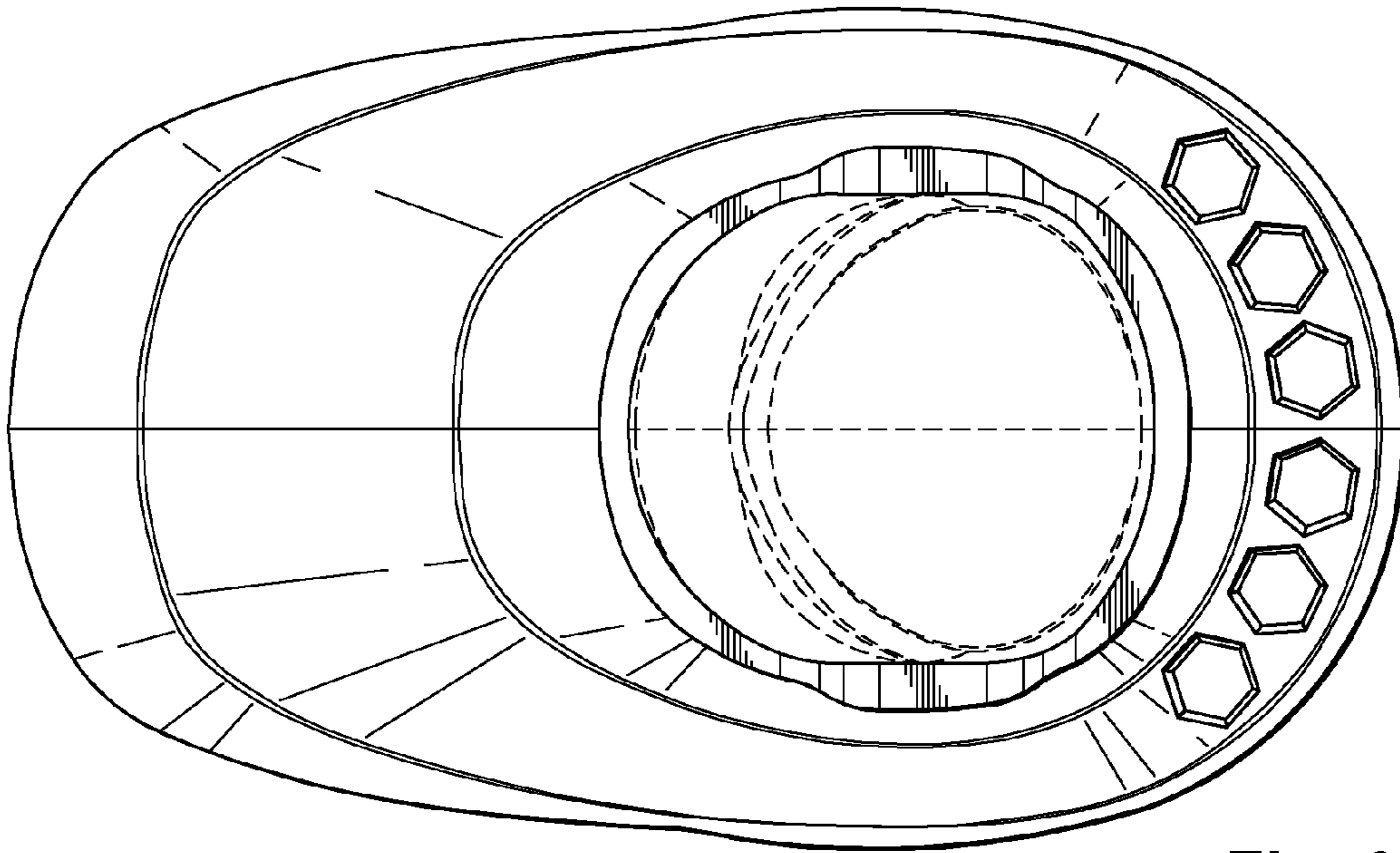


Fig. 6

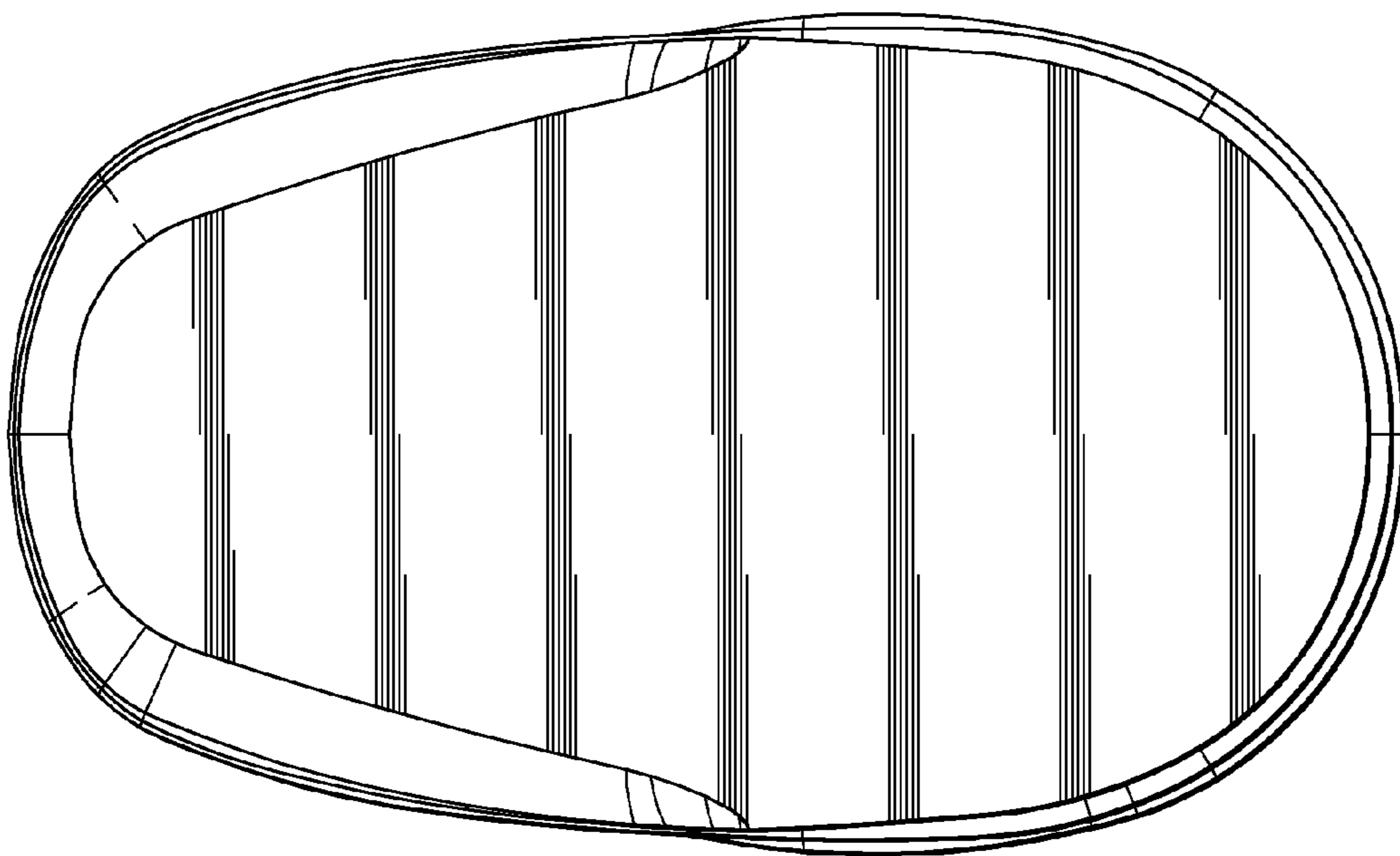


Fig. 7