



US00D601495S

(12) **United States Design Patent**
Shum et al.

(10) **Patent No.:** **US D601,495 S**

(45) **Date of Patent:** **** Oct. 6, 2009**

(54) **JUMP STARTER**

(75) Inventors: **Henry Shum**, Hong Kong (CN); **Chan Wing Chiu**, Hong Kong (CN)

(73) Assignee: **Sunlux Enterprise Ltd.**, Hong Kong (CN)

(**) Term: **14 Years**

(21) Appl. No.: **29/329,742**

(22) Filed: **Dec. 19, 2008**

(51) **LOC (9) Cl.** **13-02**

(52) **U.S. Cl.** **D13/107**

(58) **Field of Classification Search** D13/107-110,
D13/118-119, 184; 320/103-105, 107-115
See application file for complete search history.

(56) **References Cited**

U.S. PATENT DOCUMENTS

D423,451 S *	4/2000	Heckenast et al.	D13/110
D432,985 S *	10/2000	Wan	D13/107
D452,474 S *	12/2001	Casarella	D13/107
D479,194 S *	9/2003	Casarella	D13/107
D484,852 S *	1/2004	James et al.	D13/107
D493,137 S *	7/2004	Casarella	D13/107
D495,993 S *	9/2004	Krieger et al.	D13/107
D503,378 S *	3/2005	Hussaini et al.	D13/107
D504,396 S *	4/2005	Hussaini et al.	D13/107
D504,661 S *	5/2005	Krieger et al.	D13/107
D506,181 S *	6/2005	Krieger et al.	D13/107
D514,509 S *	2/2006	Krieger et al.	D13/107
D530,664 S *	10/2006	Wingerter et al.	D13/107
D530,665 S *	10/2006	Krieger et al.	D13/107
D545,269 S *	6/2007	Dayan	D13/107

D549,644 S * 8/2007 Hulden D13/107

* cited by examiner

Primary Examiner—Jennifer Rivard

Assistant Examiner—Rosemary K Tarcza

(74) *Attorney, Agent, or Firm*—Venable LLP; Robert Kinberg; Justine A. Gozzi

(57) **CLAIM**

The ornamental design for a jump starter, as shown and described.

DESCRIPTION

FIG. 1 is a top, front, right side perspective view of a jump starter according to the present invention;

FIG. 2 is a front view of the jump starter of FIG. 1 according to the present invention;

FIG. 3 is a rear view of the jump starter of FIG. 1 according to the present invention;

FIG. 4 is a left side view of the jump starter of FIG. 1 according to the present invention;

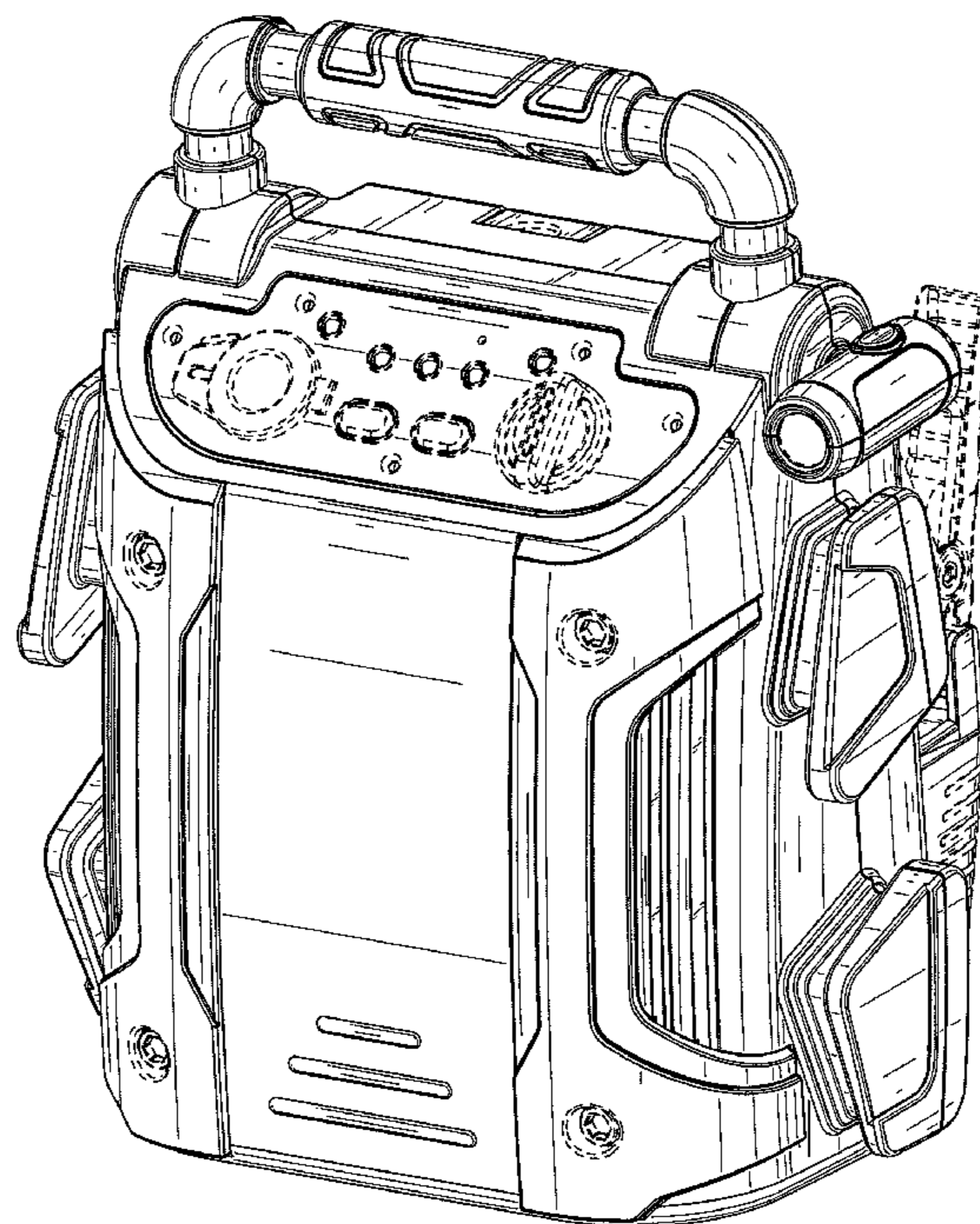
FIG. 5 is a right side view of the jump starter of FIG. 1 according to the present invention;

FIG. 6 is a top view of the jump starter of FIG. 1 according to the present invention; and,

FIG. 7 is a bottom view of a jump starter according to the present invention.

The broken line showing of jump starter is for the purpose of illustrating environmental structure and forms no part of the claimed design. The broken line(s) which define the bounds of the claimed design form no part thereof.

1 Claim, 7 Drawing Sheets



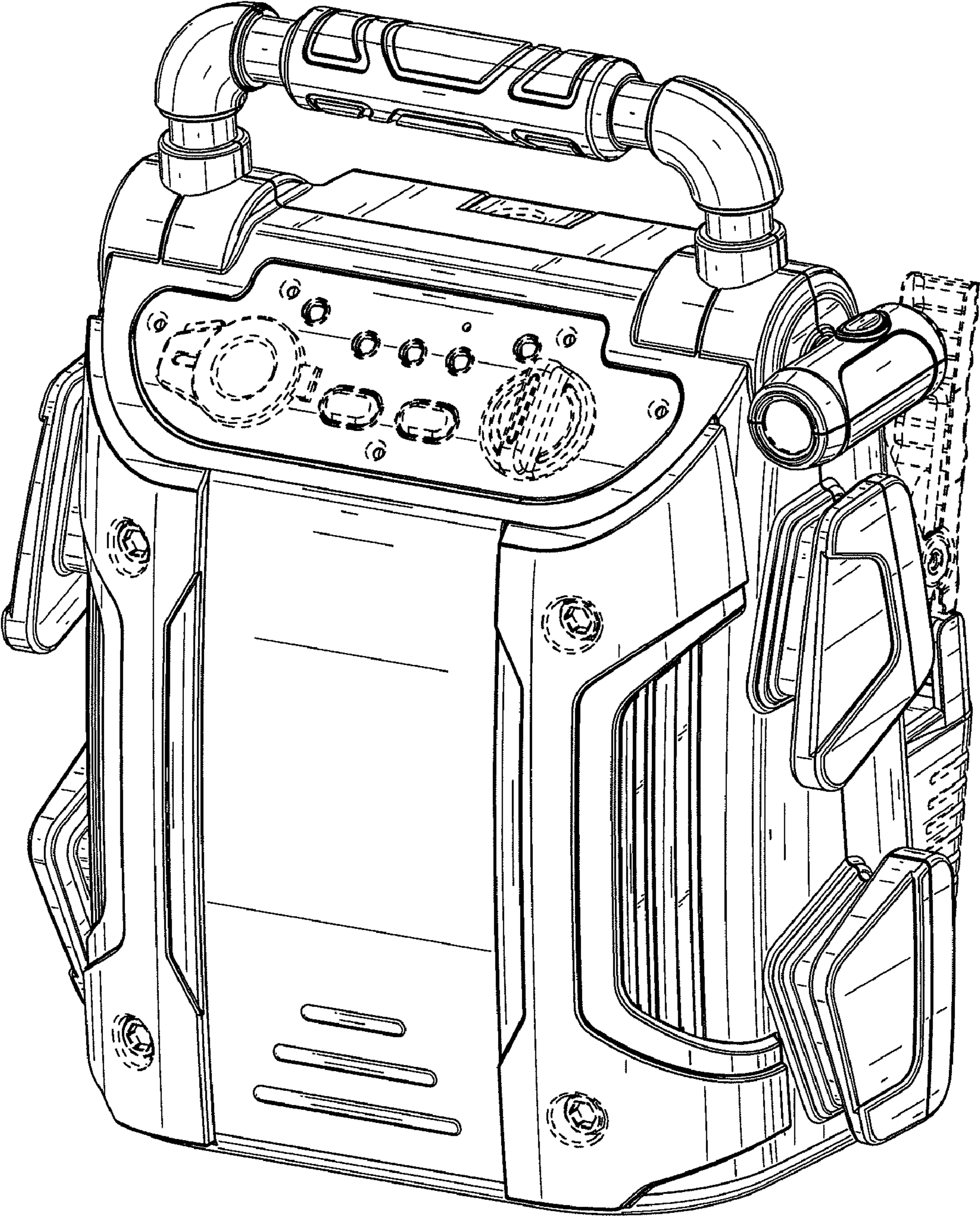


FIG.1

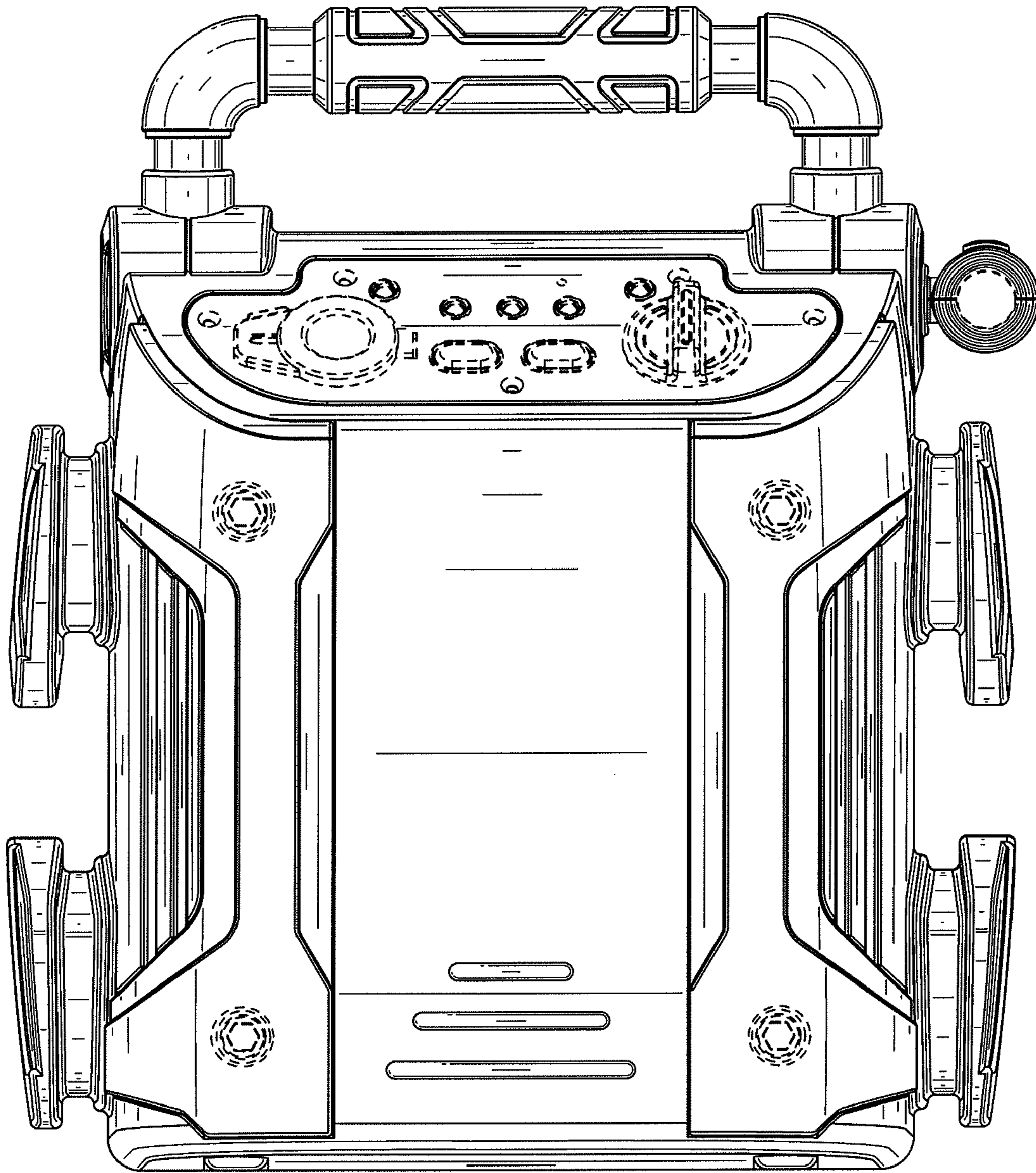


FIG.2

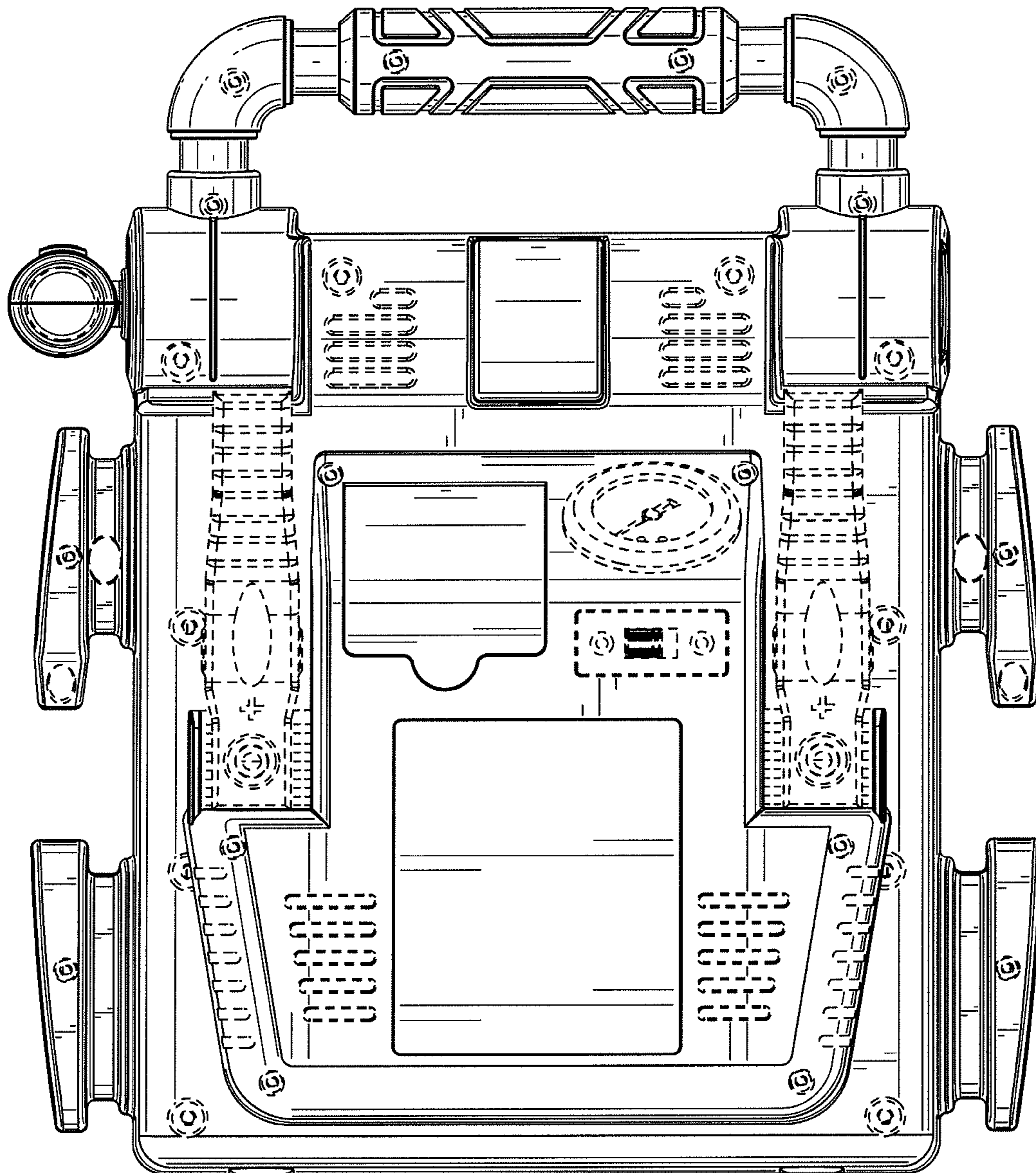


FIG.3

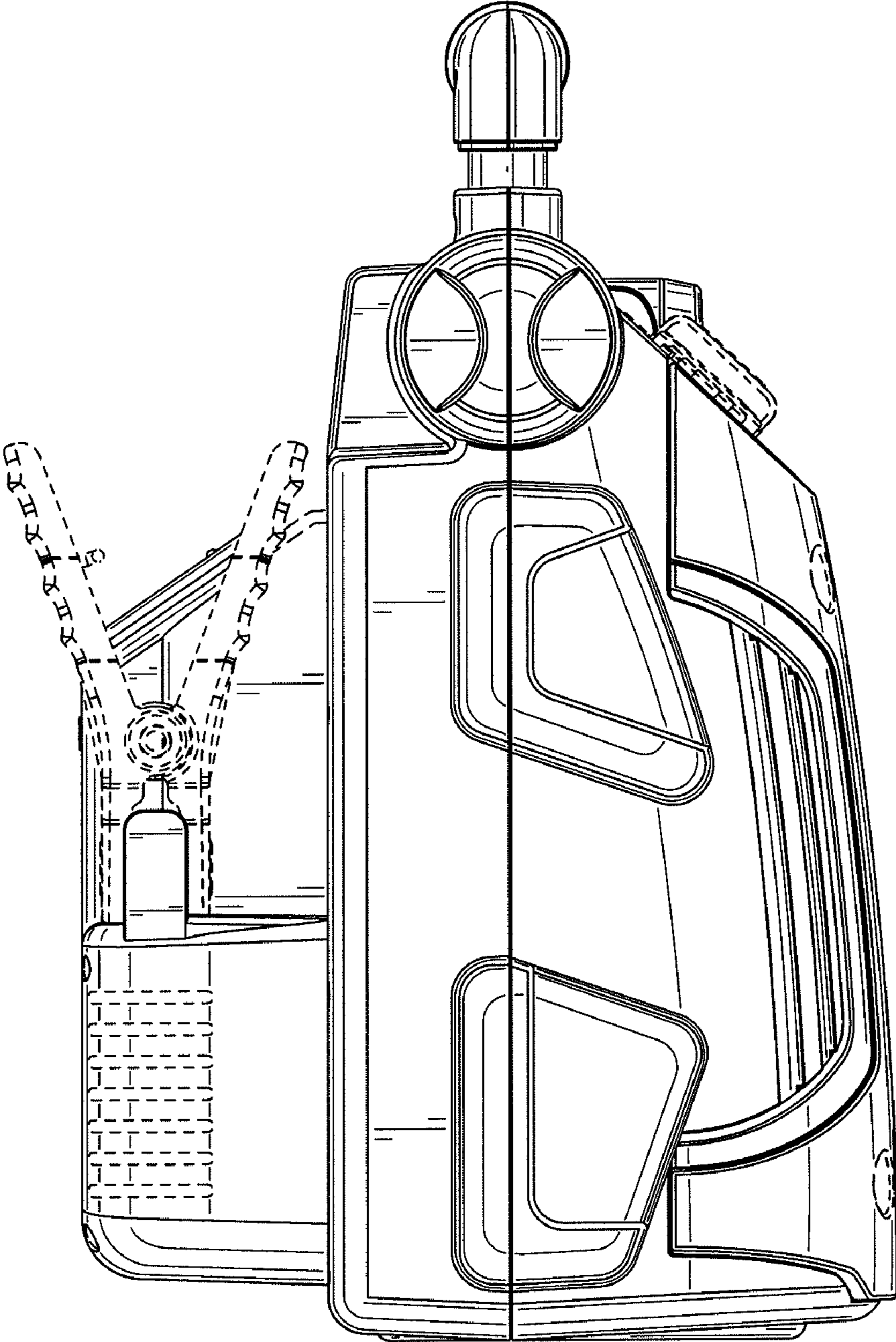


FIG.4

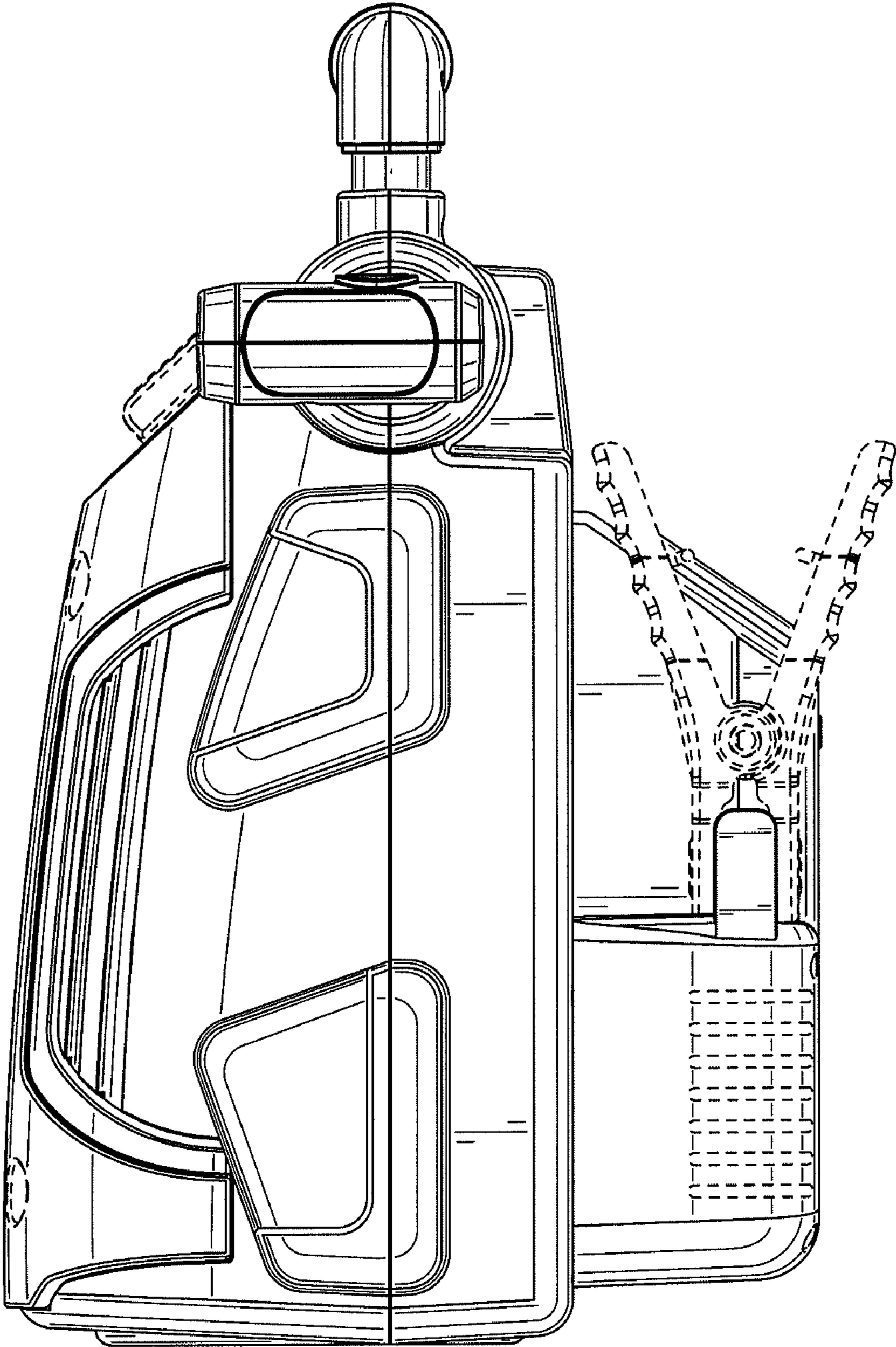


FIG.5

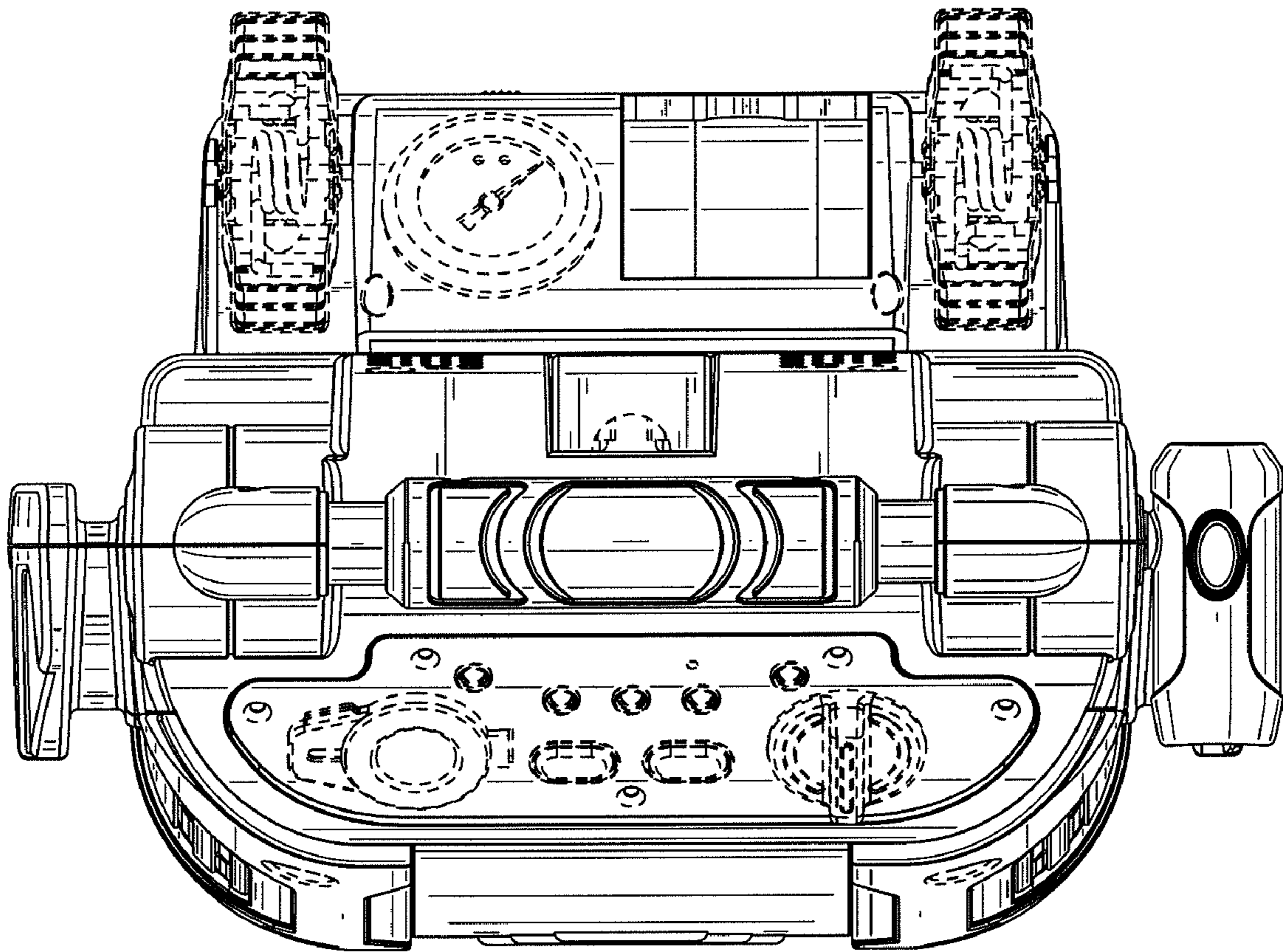


FIG.6

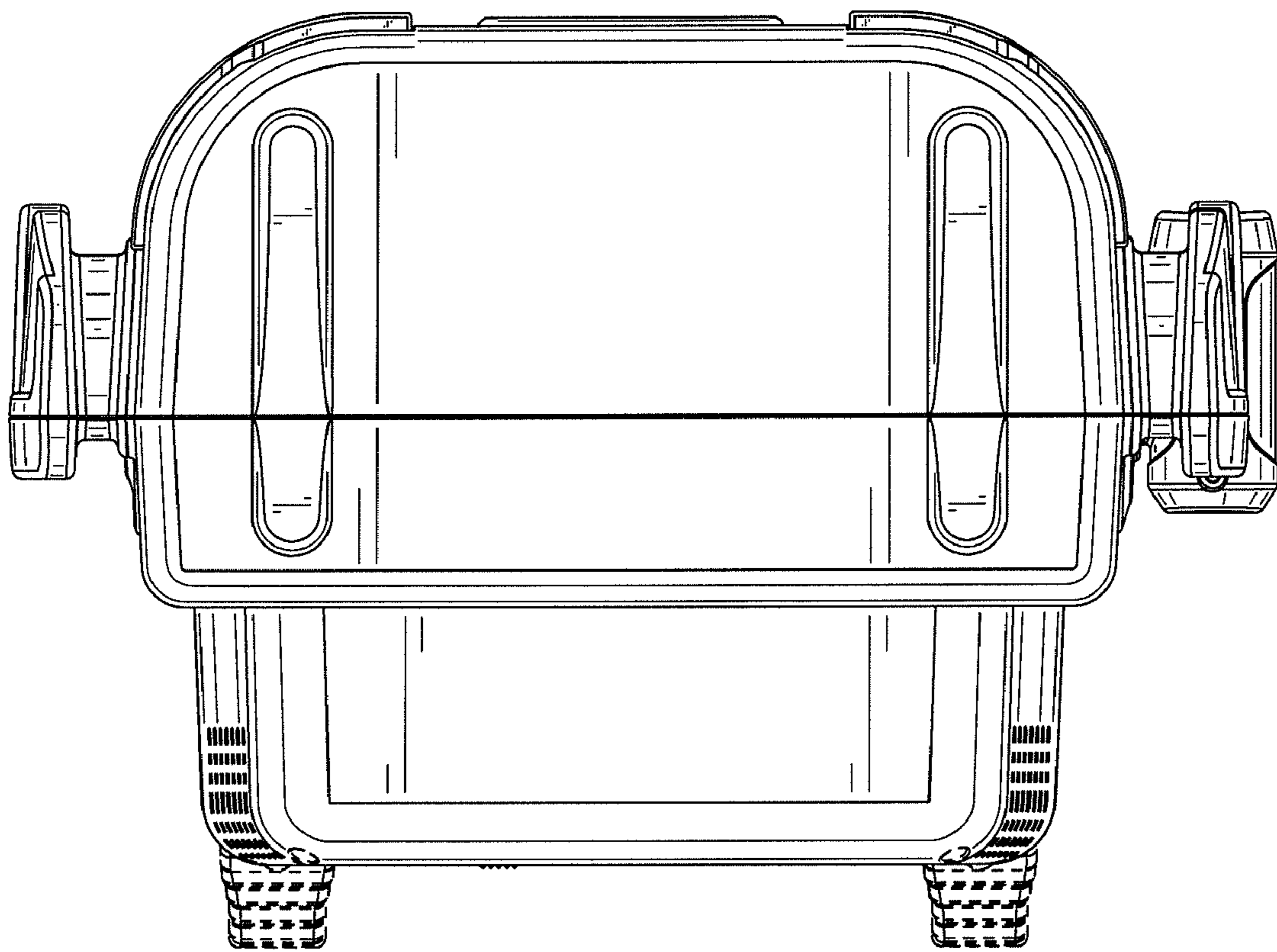


FIG.7