



US00D601493S

(12) **United States Design Patent**
Tang

(10) **Patent No.:** **US D601,493 S**

(45) **Date of Patent:** **** Oct. 6, 2009**

(54) **BATTERY PACK**

(75) Inventor: **Wing Sum Tang**, Hunghom (HK)

(73) Assignee: **Samson Bright Industrial Company Limited**, Kowloon (HK)

(**) Term: **14 Years**

(21) Appl. No.: **29/321,612**

(22) Filed: **Jul. 21, 2008**

(51) **LOC (9) Cl.** **13-02**

(52) **U.S. Cl.** **D13/103**

(58) **Field of Classification Search** D13/102–106,
D13/110, 118–121, 184; 429/96–100, 163,
429/176

See application file for complete search history.

(56) **References Cited**

U.S. PATENT DOCUMENTS

1,075,556	A *	10/1913	Fenoughty	429/99
D344,061	S *	2/1994	Tse	D13/103
D370,201	S *	5/1996	Okano et al.	D13/103
5,736,271	A *	4/1998	Cisar et al.	429/96
D400,493	S *	11/1998	Witkowski et al.	D13/103
D405,754	S *	2/1999	Barkley et al.	D13/103
D434,722	S *	12/2000	Zolyomi et al.	D13/103
D491,888	S *	6/2004	Lee	D13/103
D569,536	S *	6/2008	Henderson	D26/37

D571,289	S *	6/2008	Michaeli	D13/103
D574,768	S *	8/2008	Witte	D13/103
D576,545	S *	9/2008	Mandel et al.	D13/103
D577,333	S *	9/2008	Daniel et al.	D13/103

* cited by examiner

Primary Examiner—Jennifer Rivard

Assistant Examiner—Rosemary K Tarcza

(74) *Attorney, Agent, or Firm*—Merchant & Gould P.C.

(57) **CLAIM**

The ornamental design for a battery pack, as shown and described.

DESCRIPTION

FIG. 1 is a front view of a battery pack showing my new design;

FIG. 2 is a rear view thereof;

FIG. 3 is a left side view thereof;

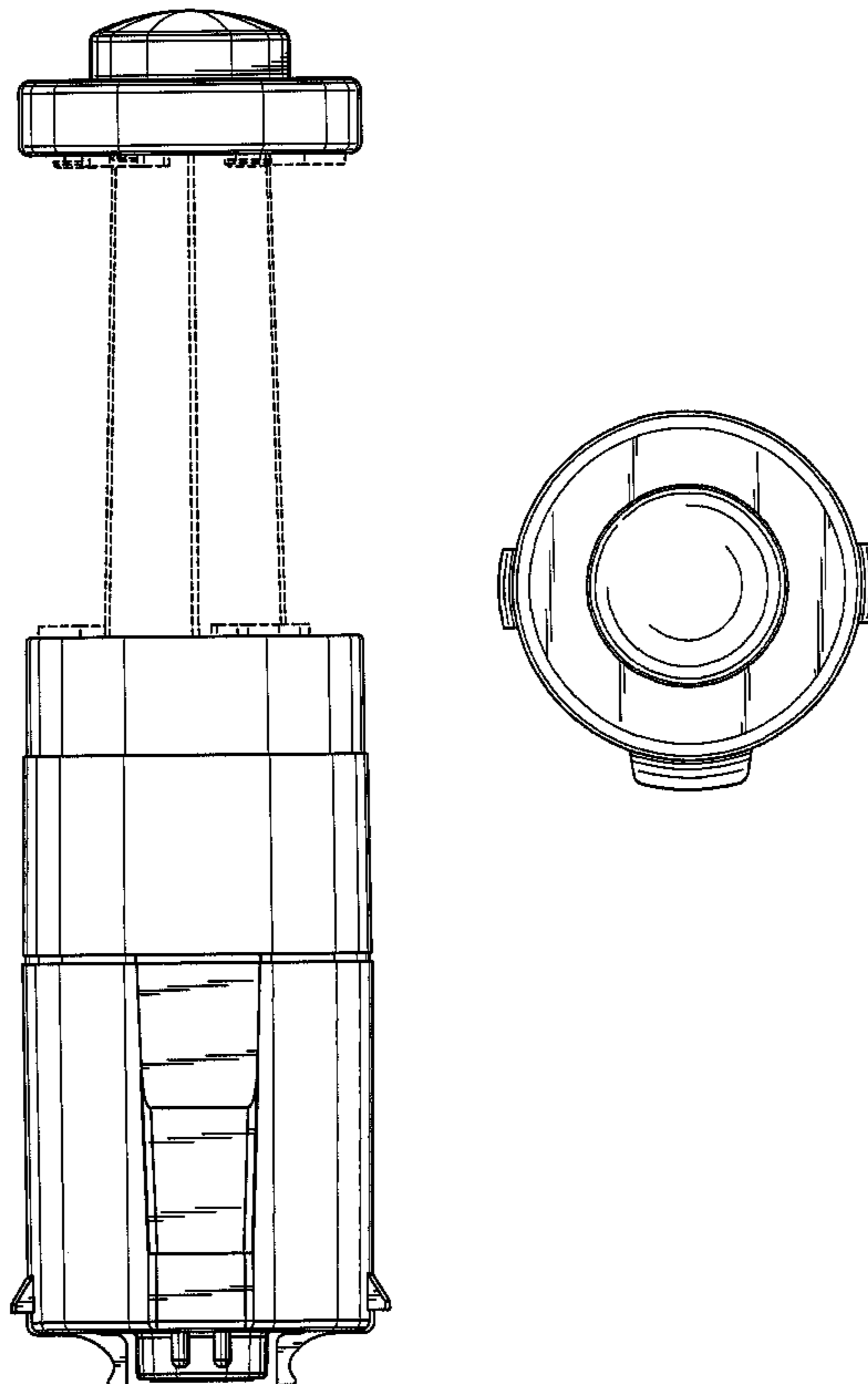
FIG. 4 is a right side view thereof;

FIG. 5 is a top view thereof; and,

FIG. 6 is a bottom view thereof.

The broken lines showing the remainder of the battery pack are included for the purpose of illustrating environmental structure and form no part of the claimed design.

1 Claim, 3 Drawing Sheets



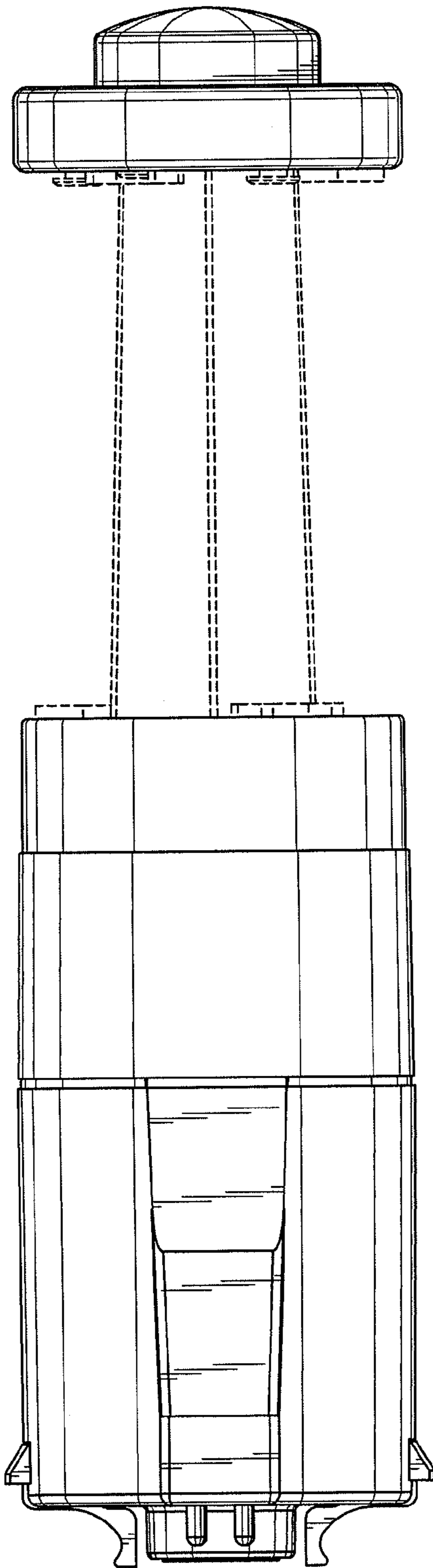


FIG. 1

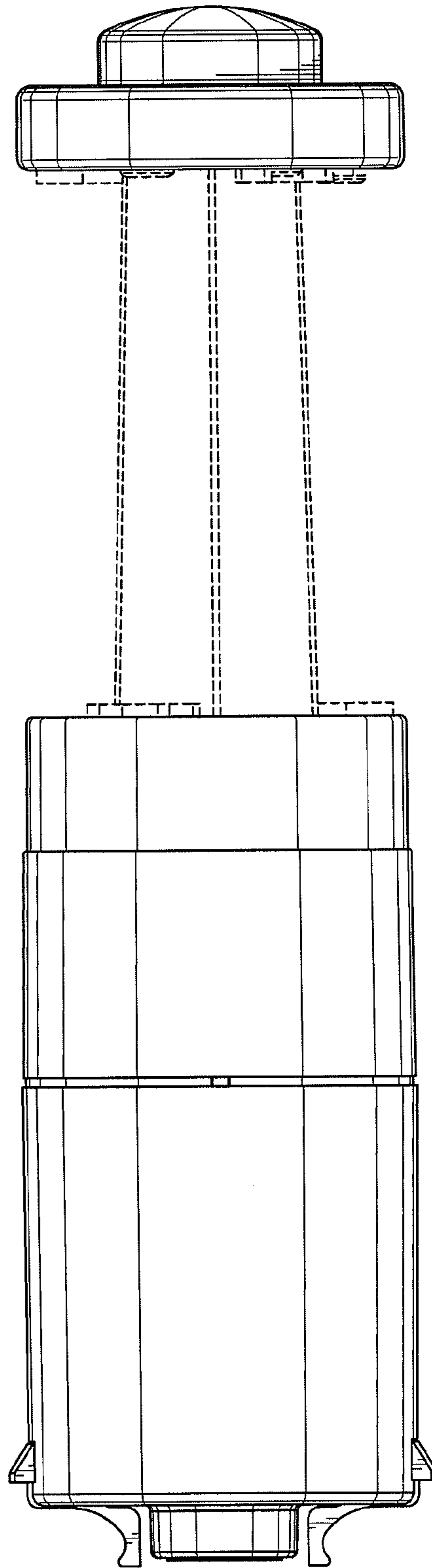


FIG. 2

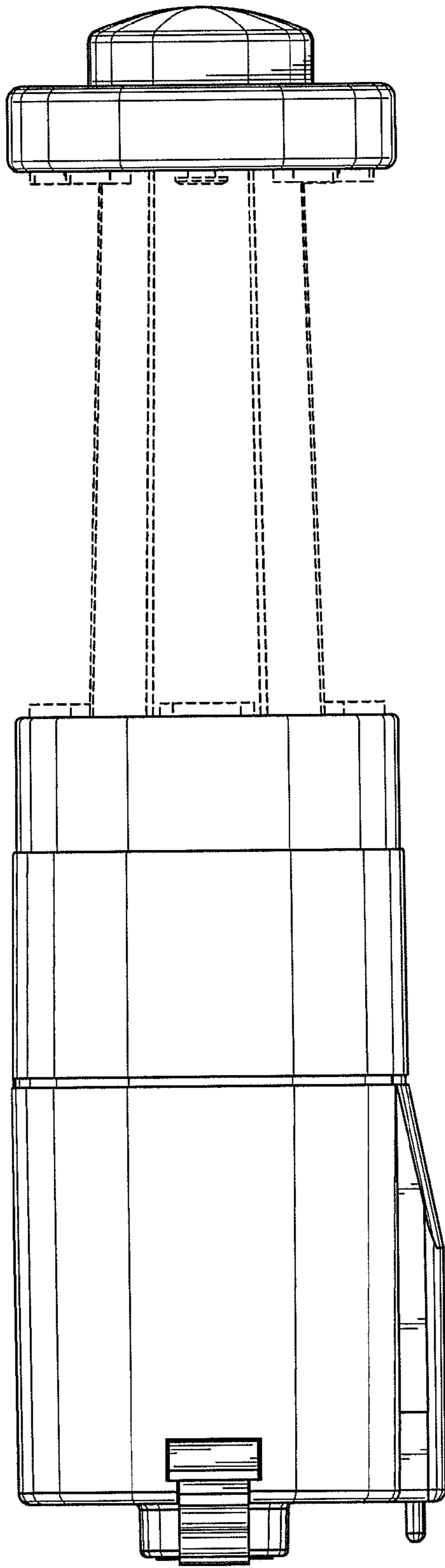


FIG. 3

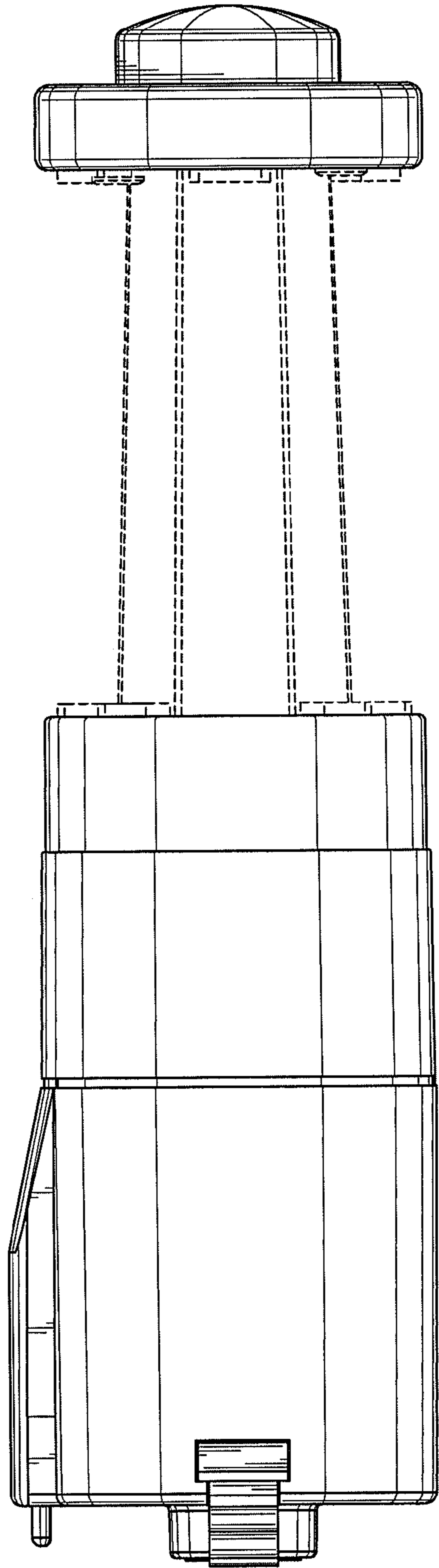


FIG. 4

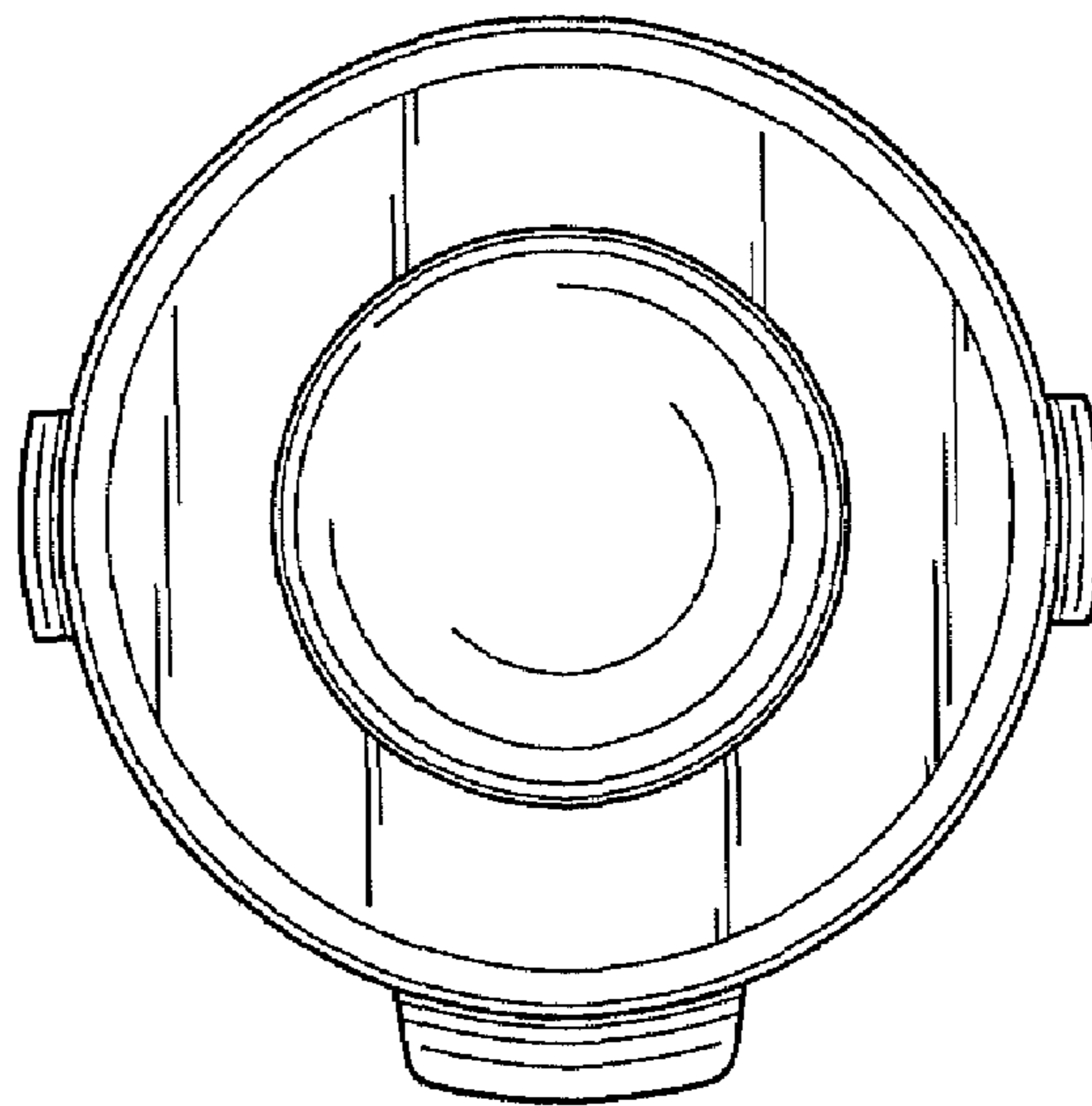


FIG. 5

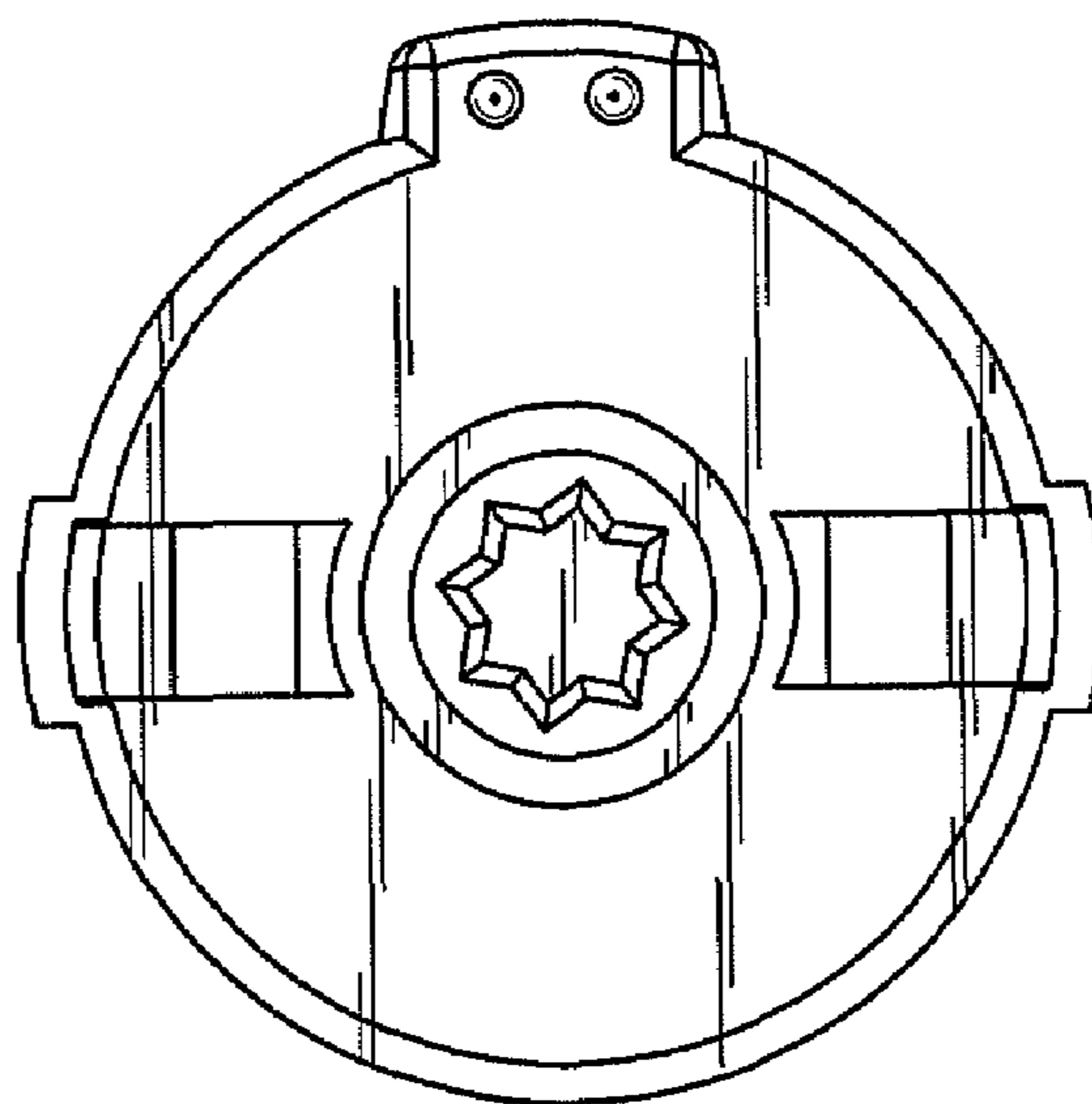


FIG. 6