



US00D601489S

(12) **United States Design Patent**  
**Lundgren**

(10) **Patent No.:** **US D601,489 S**  
(45) **Date of Patent:** **\*\* Oct. 6, 2009**

(54) **TIRE SIDEWALL**

- (75) Inventor: **Paula R. Lundgren**, Akron, OH (US)
  - (73) Assignee: **Bridgestone Firestone North American Tire, LLC**
  - (\*\*) Term: **14 Years**
  - (21) Appl. No.: **29/320,769**
  - (22) Filed: **Jul. 3, 2008**
  - (51) **LOC (9) Cl.** ..... **12-15**
  - (52) **U.S. Cl.** ..... **D12/605**
  - (58) **Field of Classification Search** ..... D12/500-501,  
D12/544, 579, 600, 601, 605; 152/523-524,  
152/DIG. 12, 555, 209.1; 40/587, 596; 156/116;  
D7/588, 396.4-396.5
- See application file for complete search history.

(56) **References Cited**

U.S. PATENT DOCUMENTS

4,198,774 A \* 4/1980 Roberts et al. .... 152/523  
(Continued)

OTHER PUBLICATIONS

<http://www.apa.ca/template.asp?DocID=94> (pp. 1-9); Jul. 11, 2007.  
(Continued)

*Primary Examiner*—Stacia Cadmus  
(74) *Attorney, Agent, or Firm*—Thomas R. Kingsbury

(57) **CLAIM**

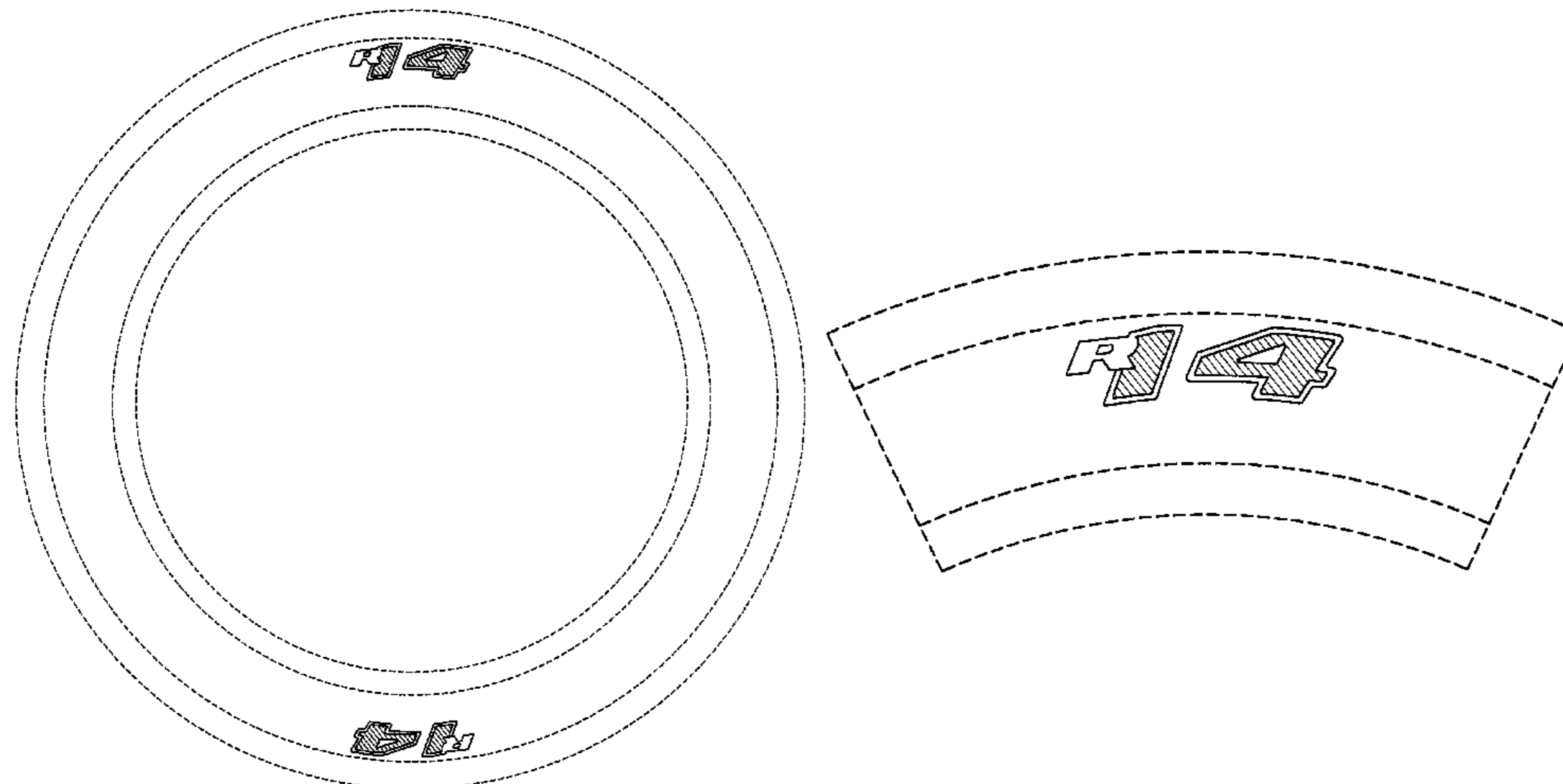
The ornamental design for a tire sidewall, as shown and described.

**DESCRIPTION**

FIG. 1 is a side elevation view of the tire sidewall showing my new design; and,  
 FIG. 2 is an enlarged side elevation view of a segment of the sidewall of FIG. 1.  
 FIG. 3 is a side elevation view of the tire sidewall showing my new design; and,

FIG. 4 is an enlarged side elevation view of a segment of the sidewall of FIG. 1.  
 FIG. 5 is a side elevation view of the tire sidewall showing my new design; and,  
 FIG. 6 is an enlarged side elevation view of a segment of the sidewall of FIG. 1.  
 FIG. 7 is a side elevation view of the tire sidewall showing my new design; and,  
 FIG. 8 is an enlarged side elevation view of a segment of the sidewall of FIG. 1.  
 FIG. 9 is a side elevation view of the tire sidewall showing my new design; and,  
 FIG. 10 is an enlarged side elevation view of a segment of the sidewall of FIG. 1.  
 FIG. 11 is a side elevation view of the tire sidewall showing my new design; and,  
 FIG. 12 is an enlarged side elevation view of a segment of the sidewall of FIG. 1.  
 FIG. 13 is a side elevation view of the tire sidewall showing my new design; and,  
 FIG. 14 is an enlarged side elevation view of a segment of the sidewall of FIG. 1.  
 FIG. 15 is a side elevation view of the tire sidewall showing my new design; and,  
 FIG. 16 is an enlarged side elevation view of a segment of the sidewall of FIG. 1.  
 FIG. 17 is a side elevation view of the tire sidewall showing my new design; and,  
 FIG. 18 is an enlarged side elevation view of a segment of the sidewall of FIG. 1.  
 FIG. 19 is a side elevation view of the tire sidewall showing my new design; and,  
 FIG. 20 is an enlarged side elevation view of a segment of the sidewall of FIG. 1.  
 The broken lines defining the tire are for illustrative purposes only and form no part of the claimed design.

**1 Claim, 10 Drawing Sheets**



# US D601,489 S

Page 2

## U.S. PATENT DOCUMENTS

4,317,479 A 3/1982 McDonald  
4,318,436 A 3/1982 Shurman  
4,343,342 A 8/1982 McDonald  
5,303,758 A 4/1994 Clementz et al.  
5,478,426 A 12/1995 Wiler et al.  
5,645,661 A 7/1997 Clementz et al.  
5,728,242 A 3/1998 Barrese et al.  
5,807,446 A 9/1998 Ratliff, Jr.  
6,053,228 A 4/2000 Baker  
D457,130 S \* 5/2002 Ratliff et al. .... D12/605  
D480,047 S \* 9/2003 Kajikawa ..... D12/605  
6,612,352 B1 9/2003 Barrese et al.  
7,128,942 B2 10/2006 Suzuki  
7,147,026 B2 12/2006 Matsumoto  
7,204,284 B2 4/2007 Paturle et al.  
7,232,498 B2 6/2007 Zimmer et al.  
D549,167 S \* 8/2007 Iwabuchi ..... D12/605  
D556,127 S \* 11/2007 Iwabuchi ..... D12/605  
D560,593 S \* 1/2008 Karen ..... D12/605

D569,791 S \* 5/2008 Iwabuchi et al. .... D12/605  
7,409,975 B2 \* 8/2008 Wallet ..... 152/523  
2002/0174928 A1 11/2002 Ratliff, Jr.  
2005/0081975 A1 4/2005 Sano  
2006/0191617 A1 8/2006 Byrne  
2006/0254689 A1 11/2006 Wallet  
2006/0266456 A1 11/2006 Speyer et al.  
2007/0034312 A1 2/2007 Matsumoto  
2007/0044886 A1 3/2007 Lo  
2007/0175556 A1 8/2007 Brummer  
2007/0256771 A1 11/2007 Balogh  
2008/0066846 A1 3/2008 Metz

## OTHER PUBLICATIONS

<http://www.safercar.gov/tires/pages/TireLablePassVeh.htm> (pp. 1-3); May 23, 2007.  
[www.vulcantire.com](http://www.vulcantire.com); May 23, 2007.  
<http://auto.howstuffworks.com/tire2.htm>; May 23, 2007.  
<http://www.twentyinchesstrong.com>; Feb. 27, 2007.

\* cited by examiner

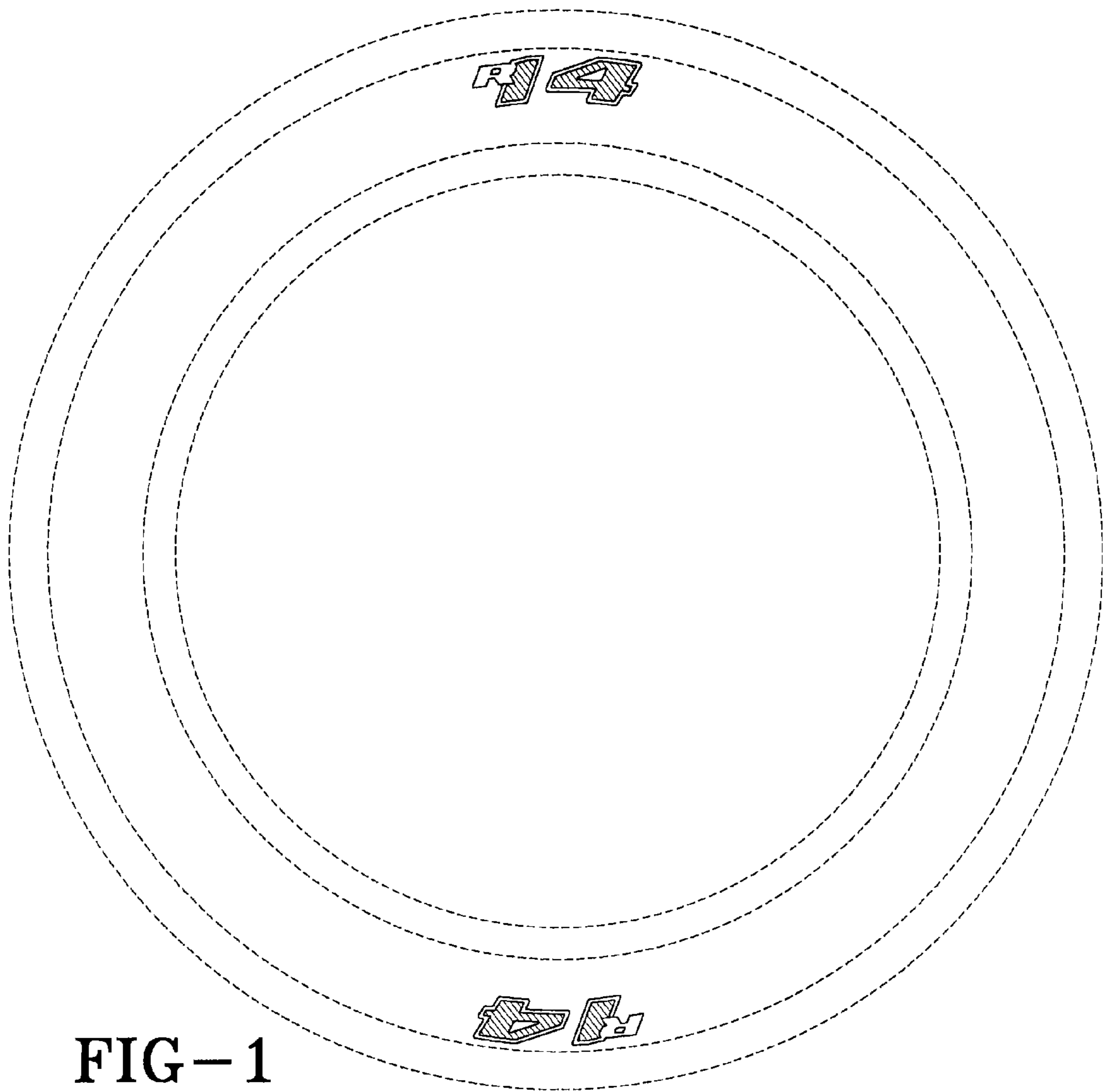


FIG-1

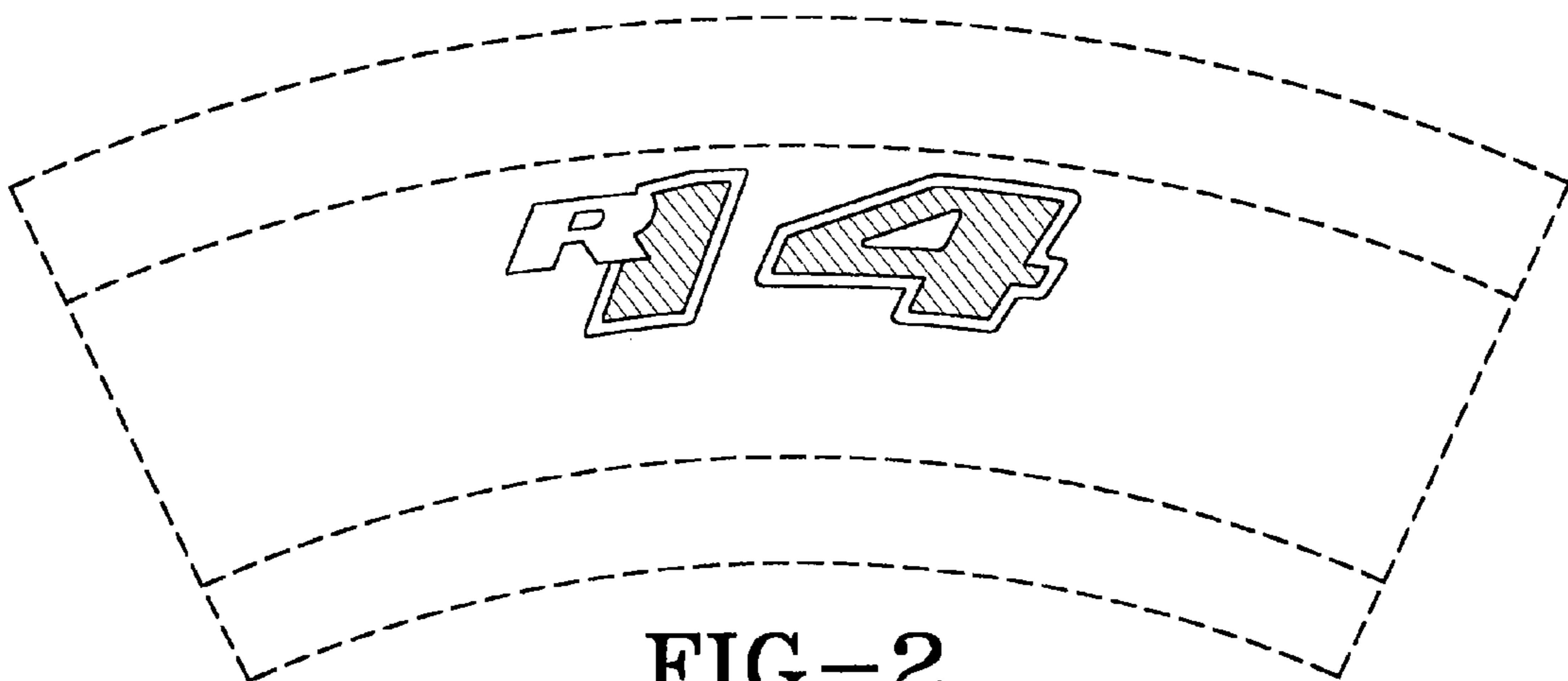


FIG-2

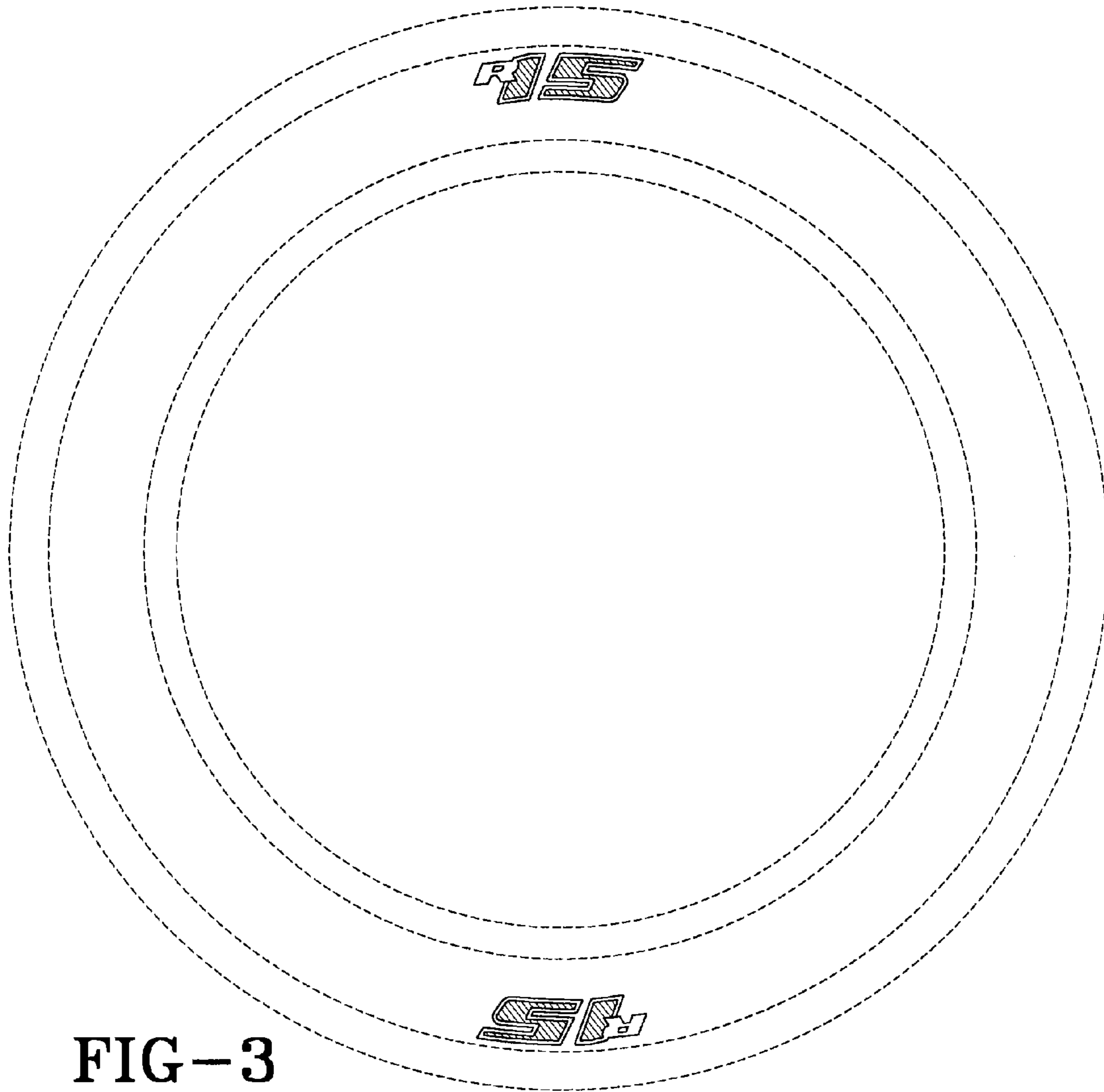


FIG-3

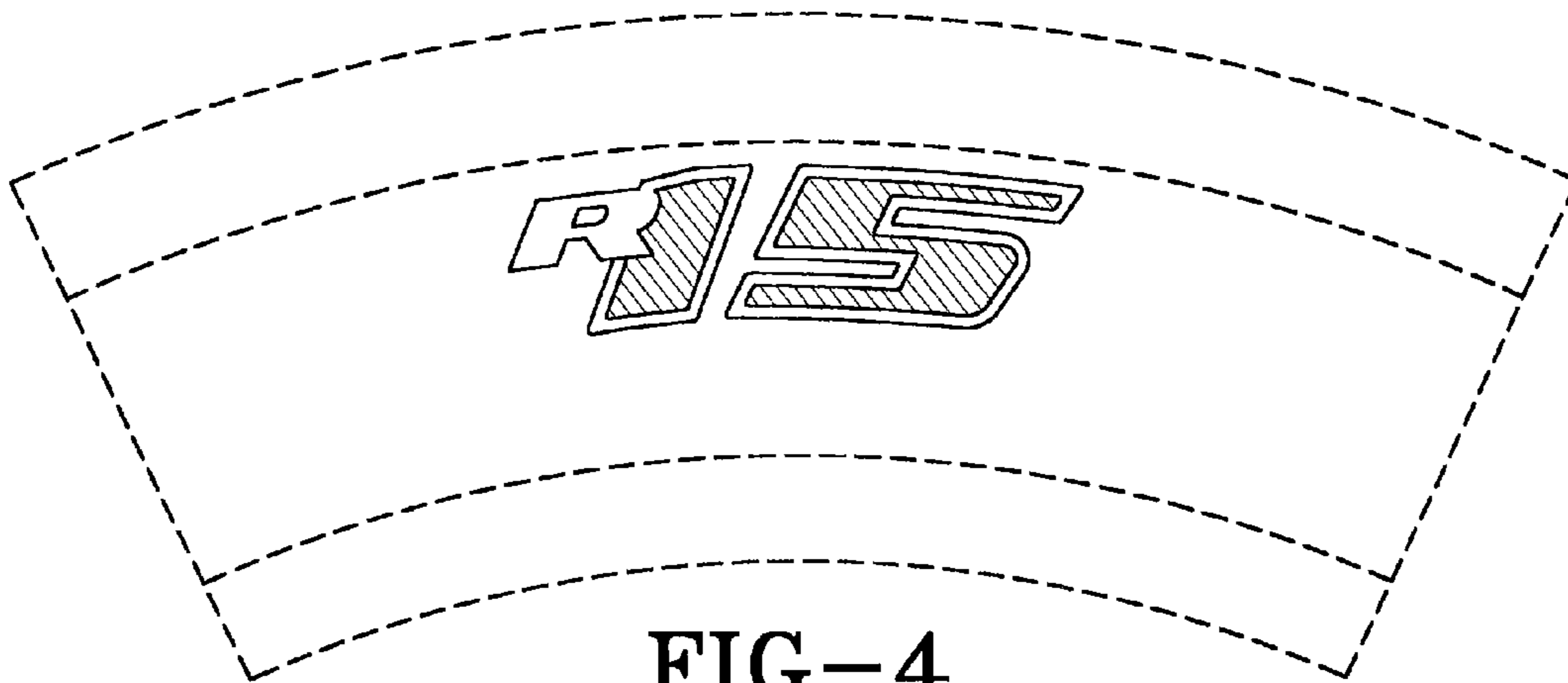


FIG-4

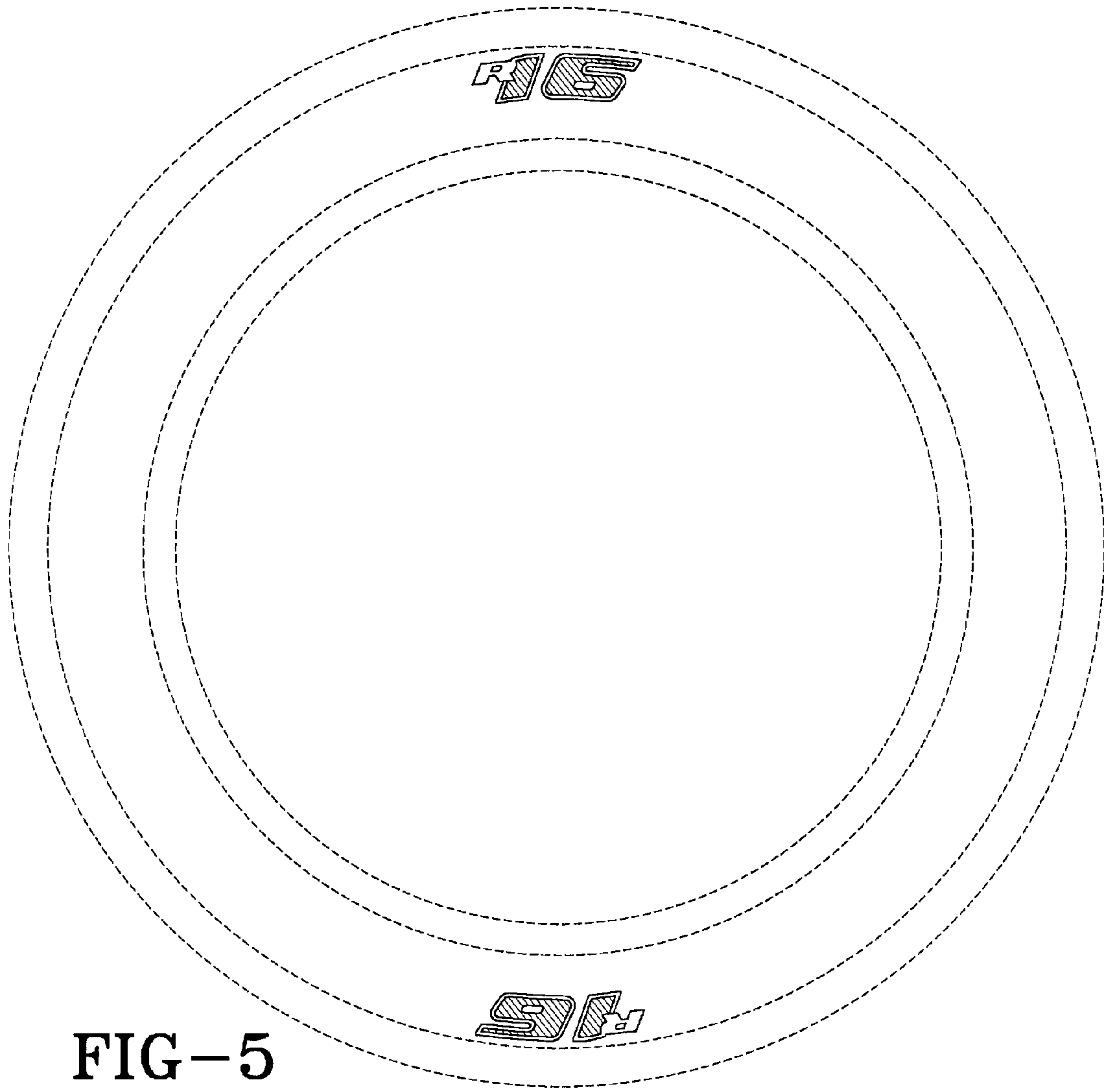


FIG-5

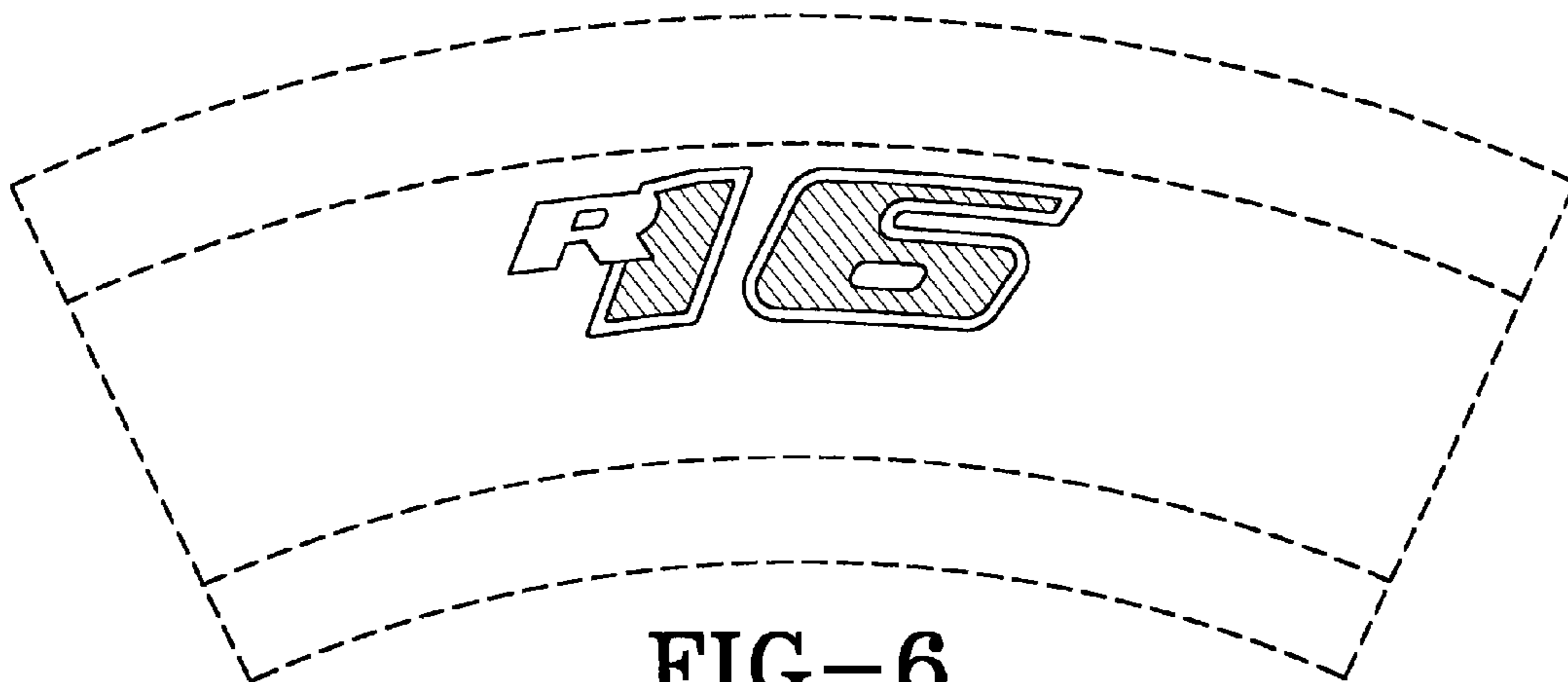


FIG-6

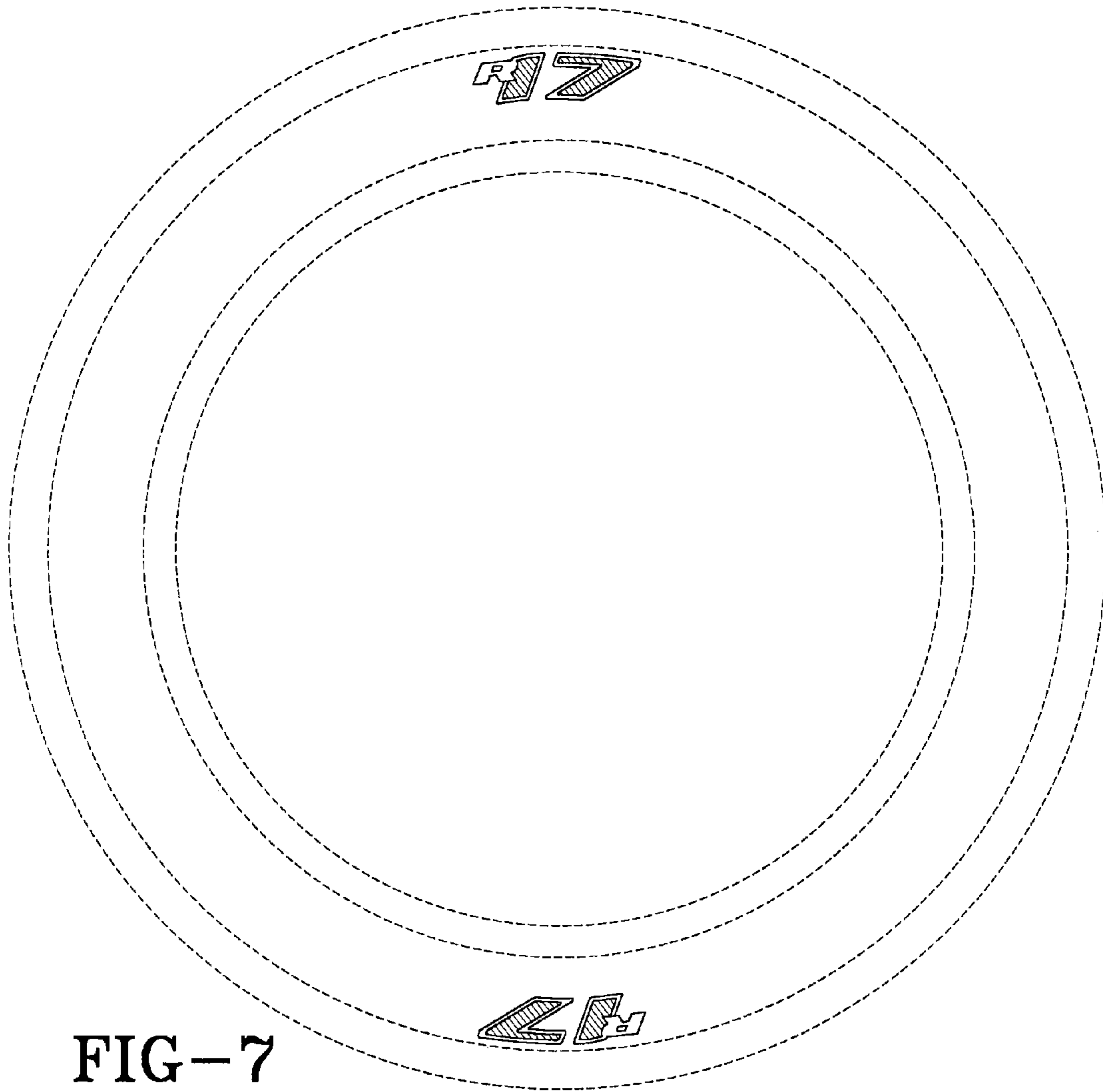


FIG-7

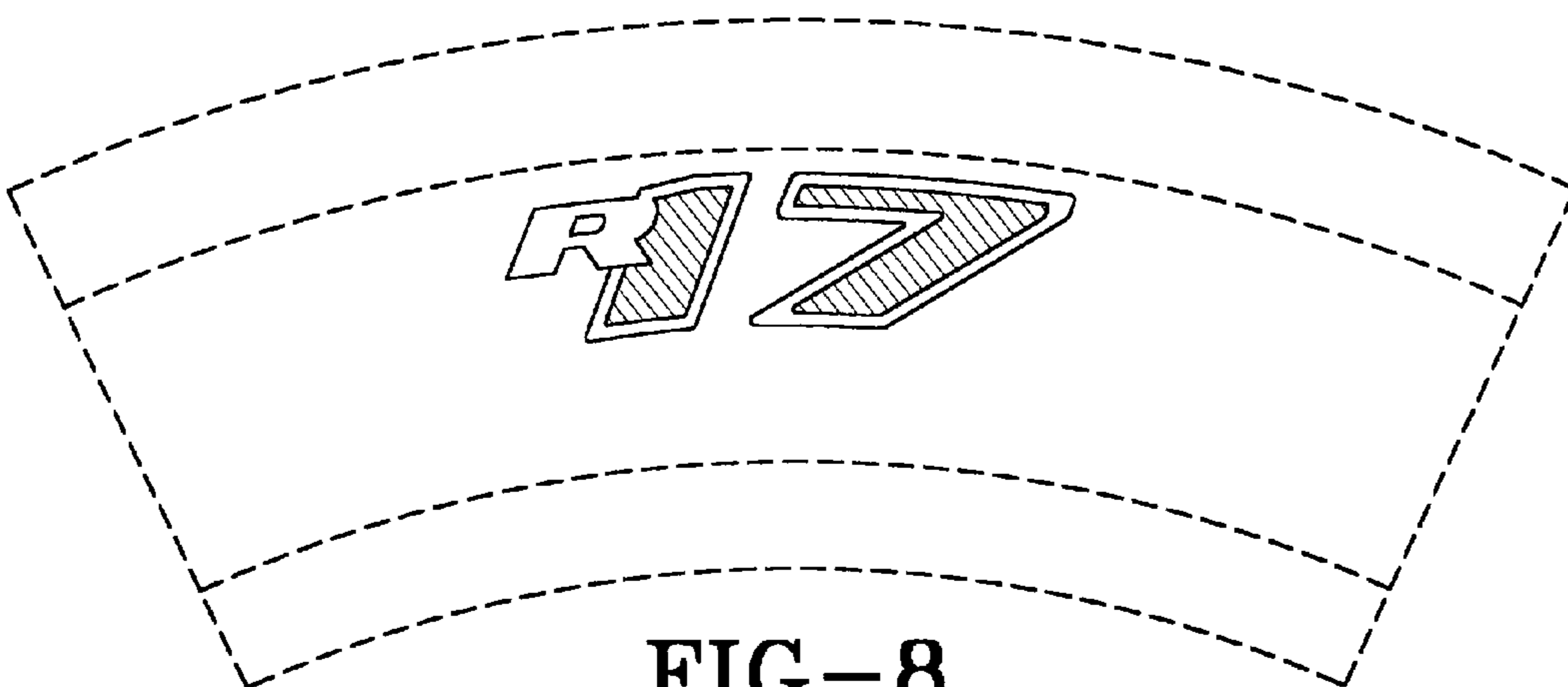


FIG-8

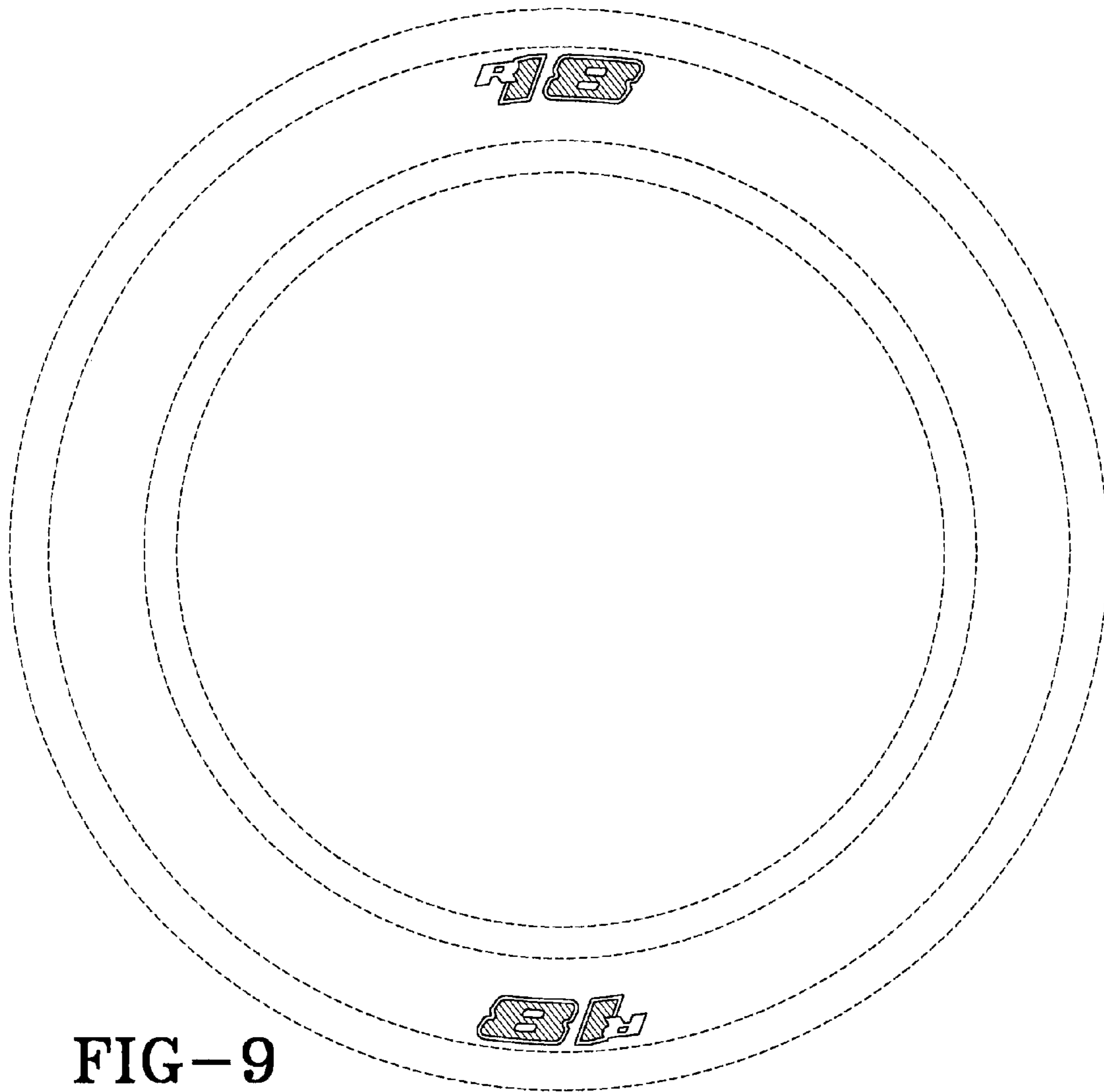


FIG-9

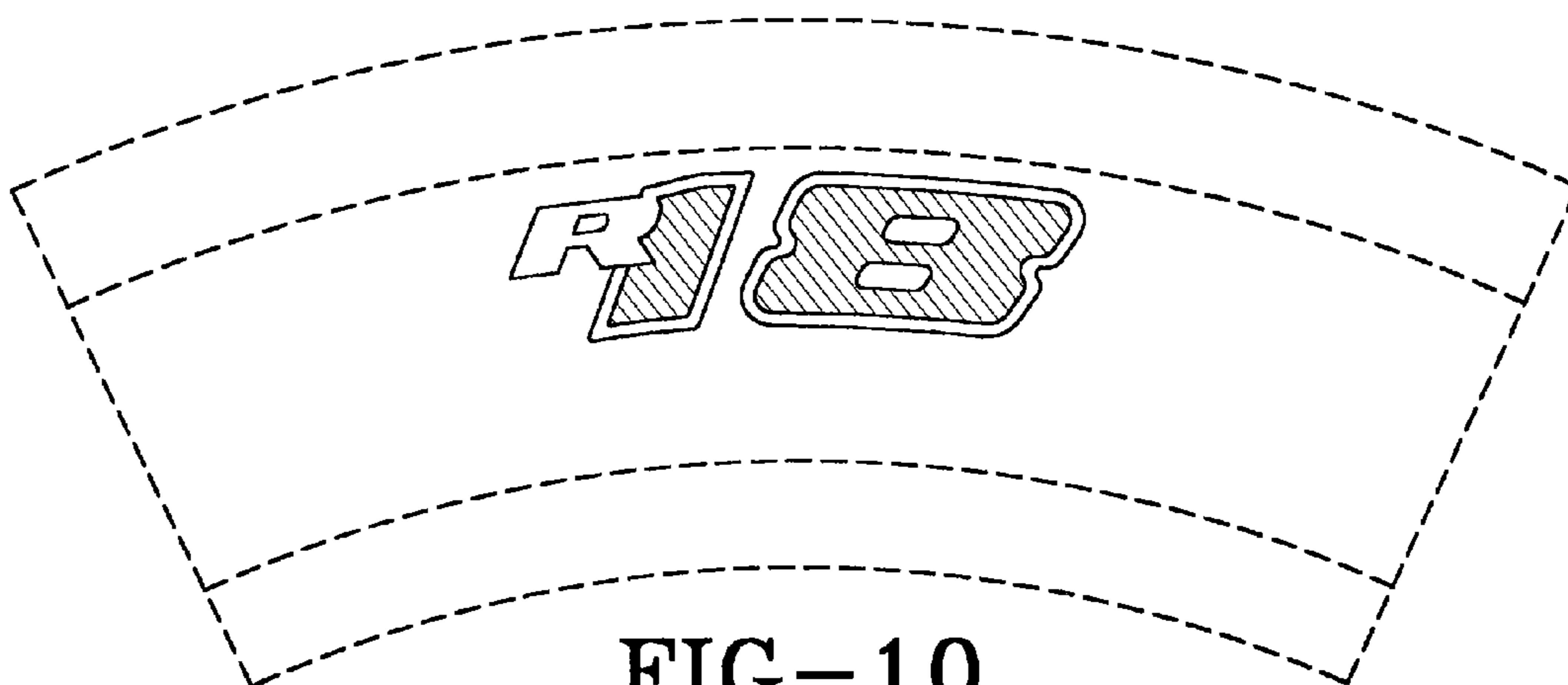


FIG-10

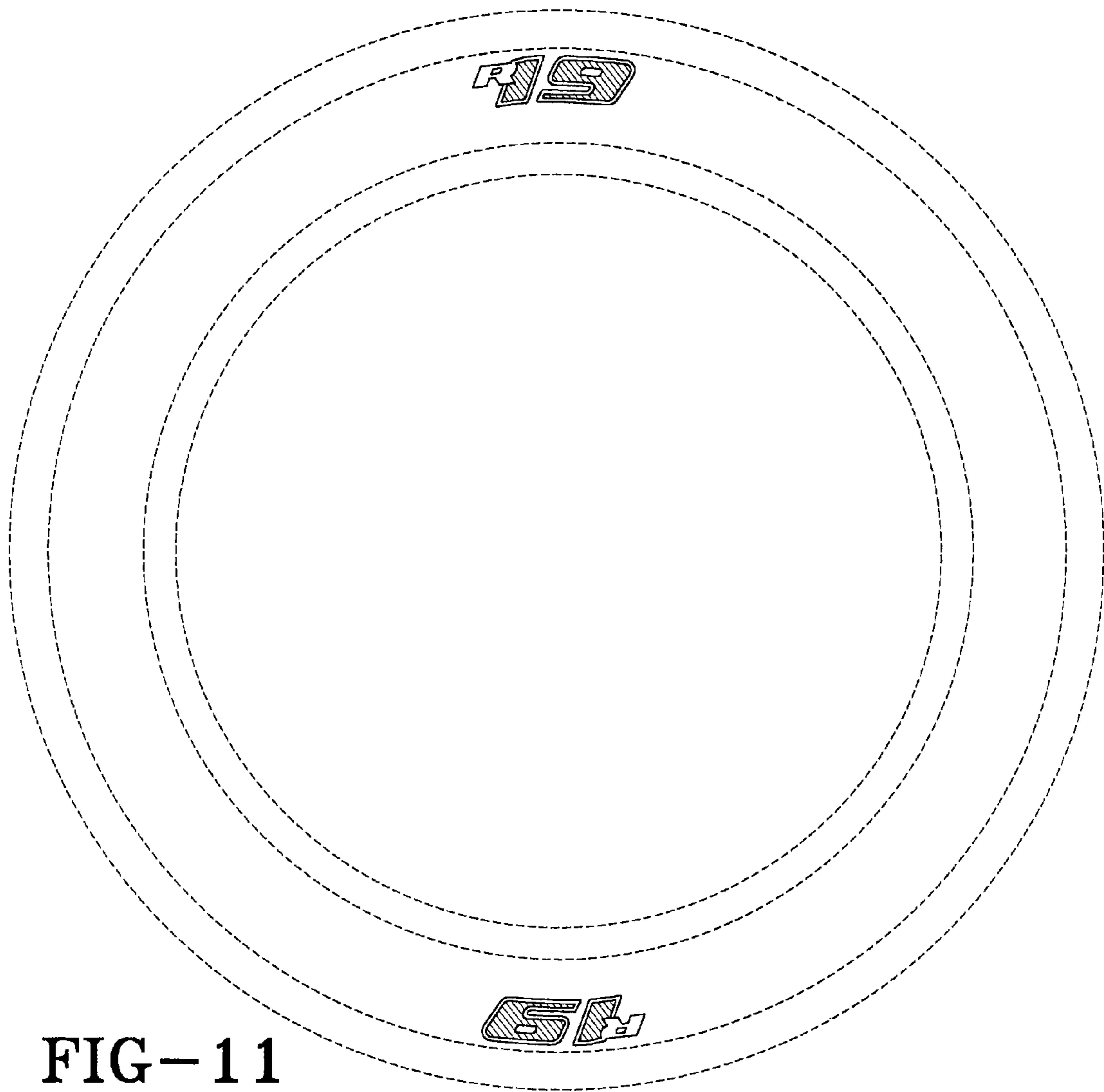


FIG-11

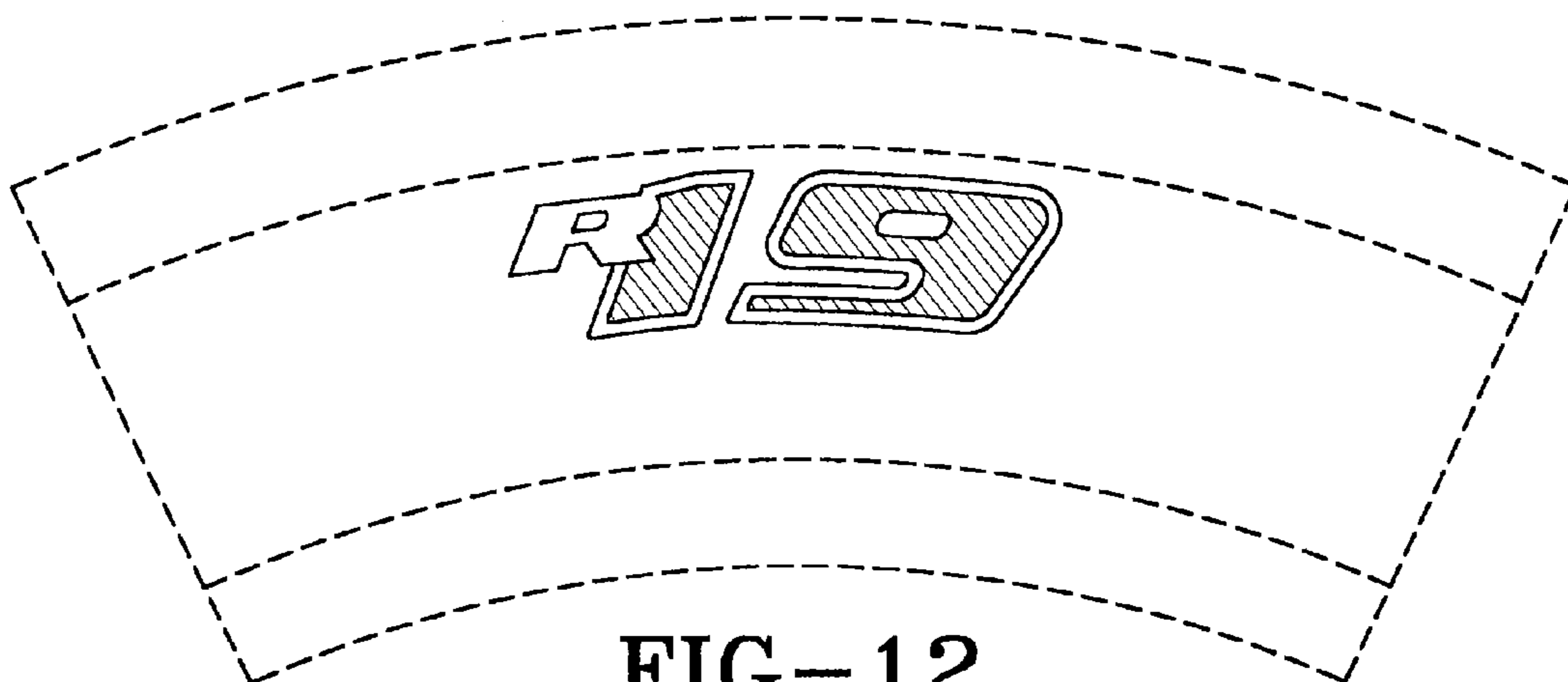


FIG-12



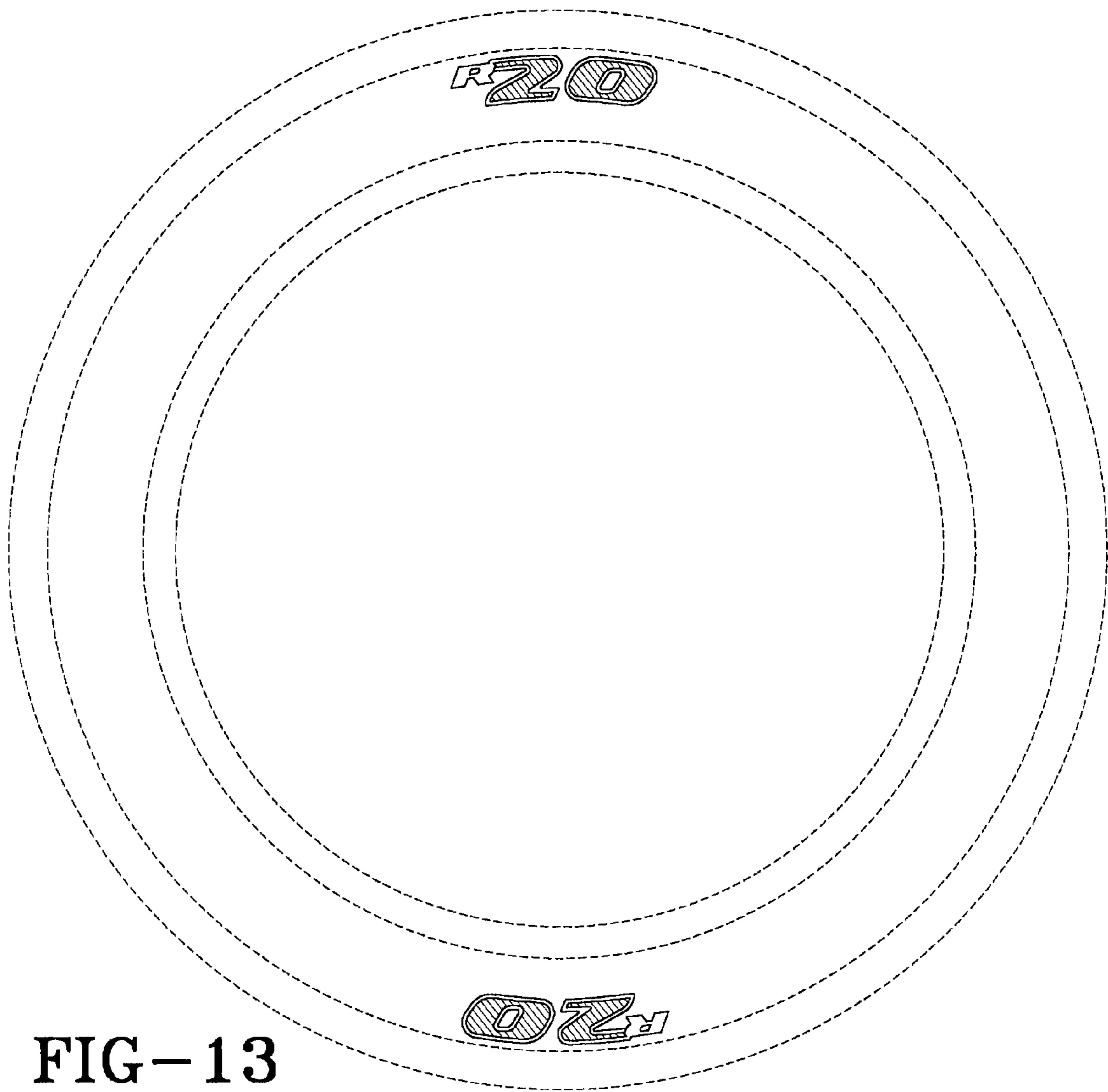


FIG-13

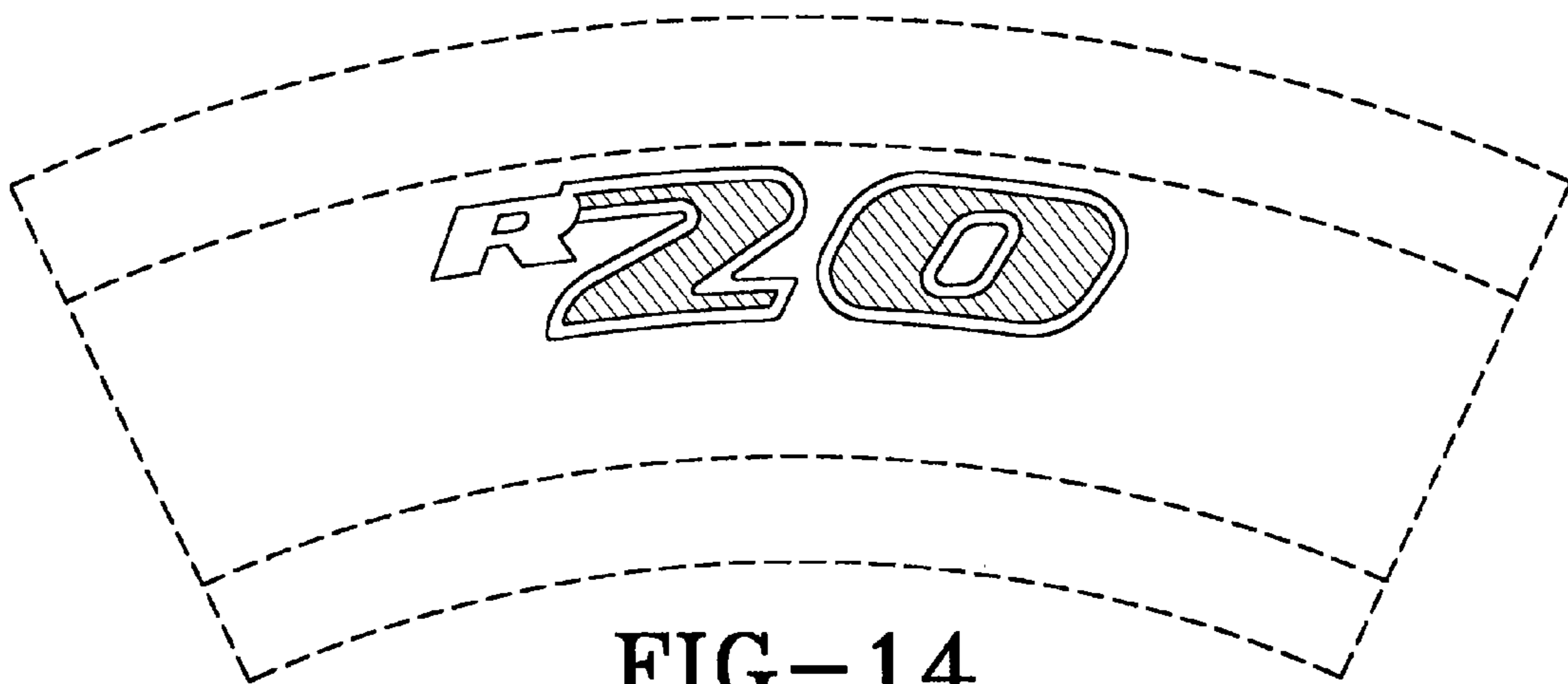


FIG-14

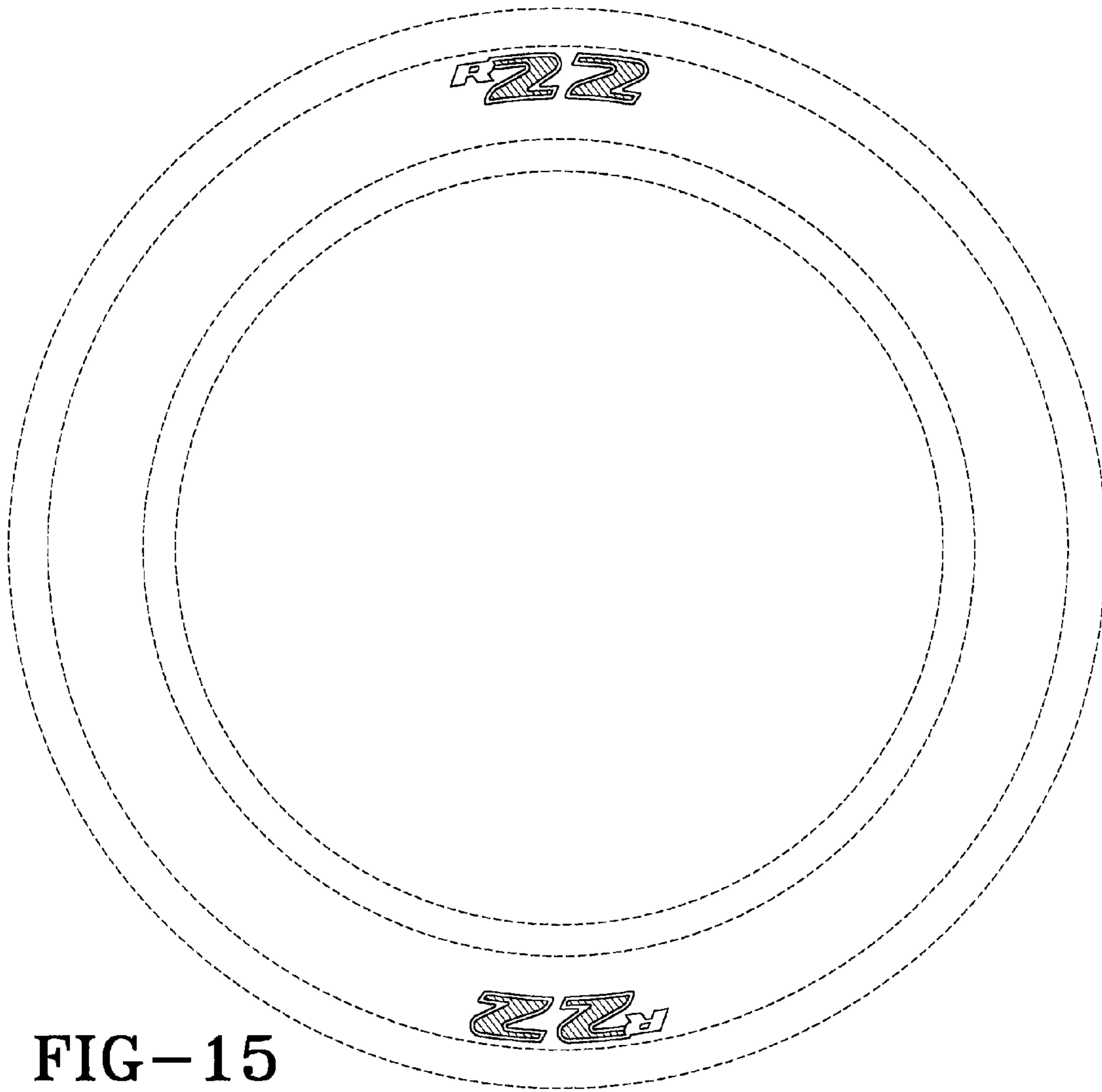


FIG-15

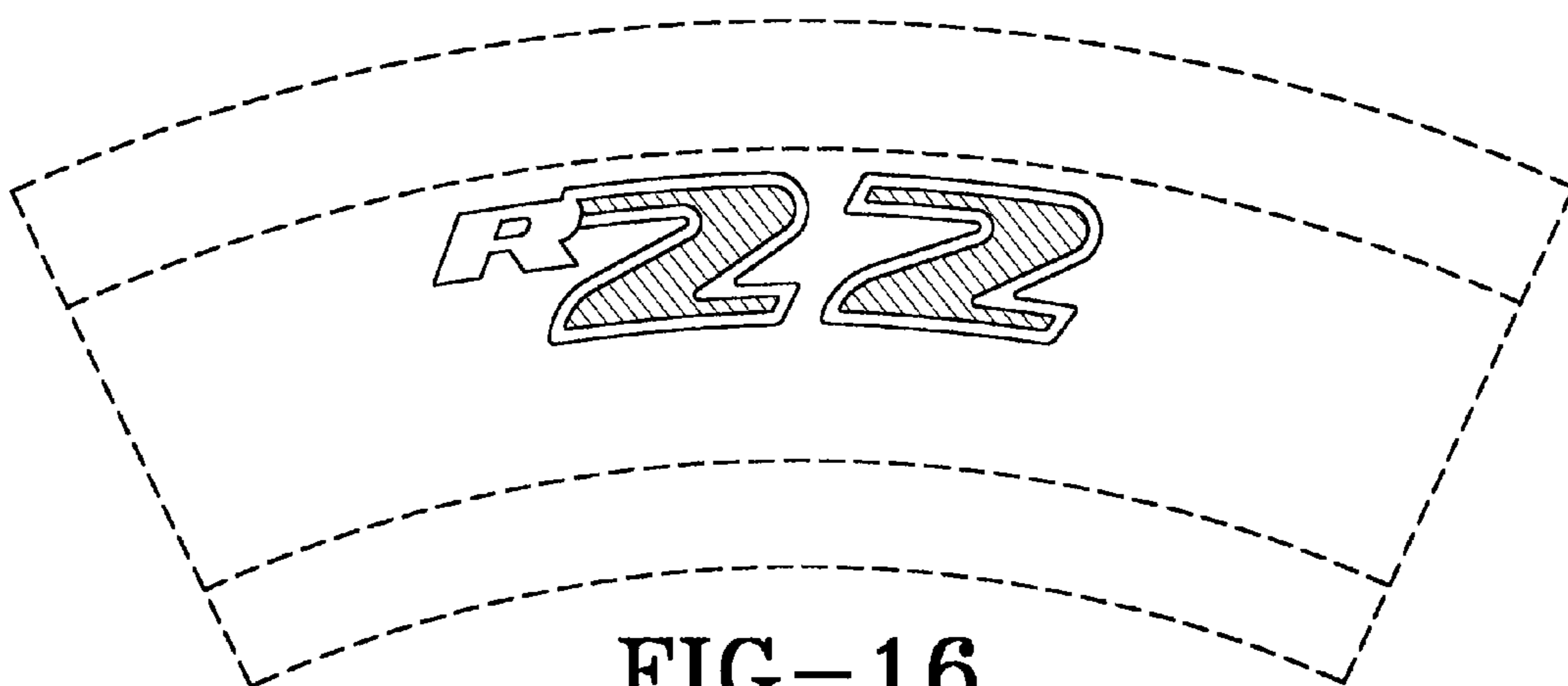


FIG-16

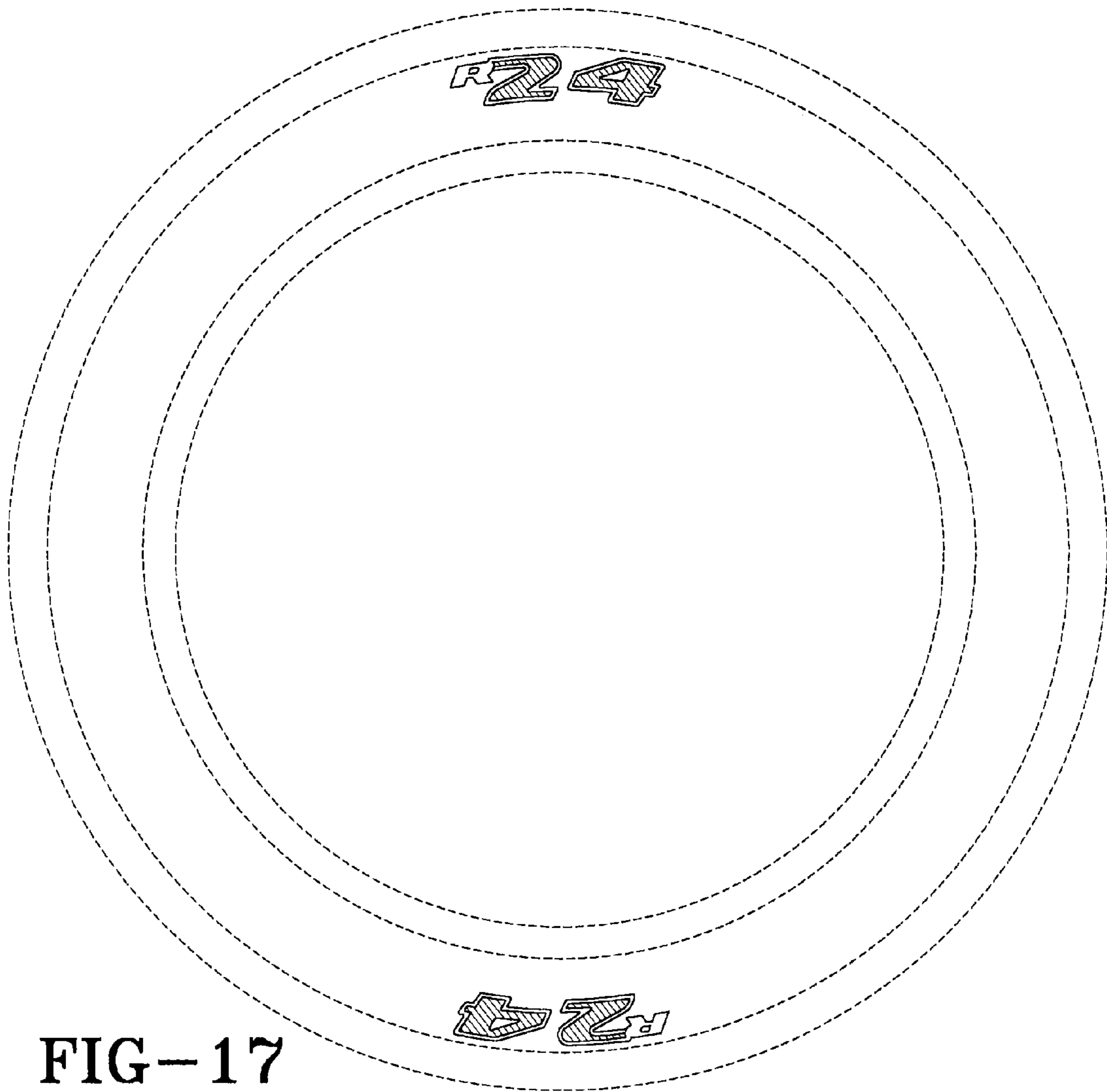


FIG-17

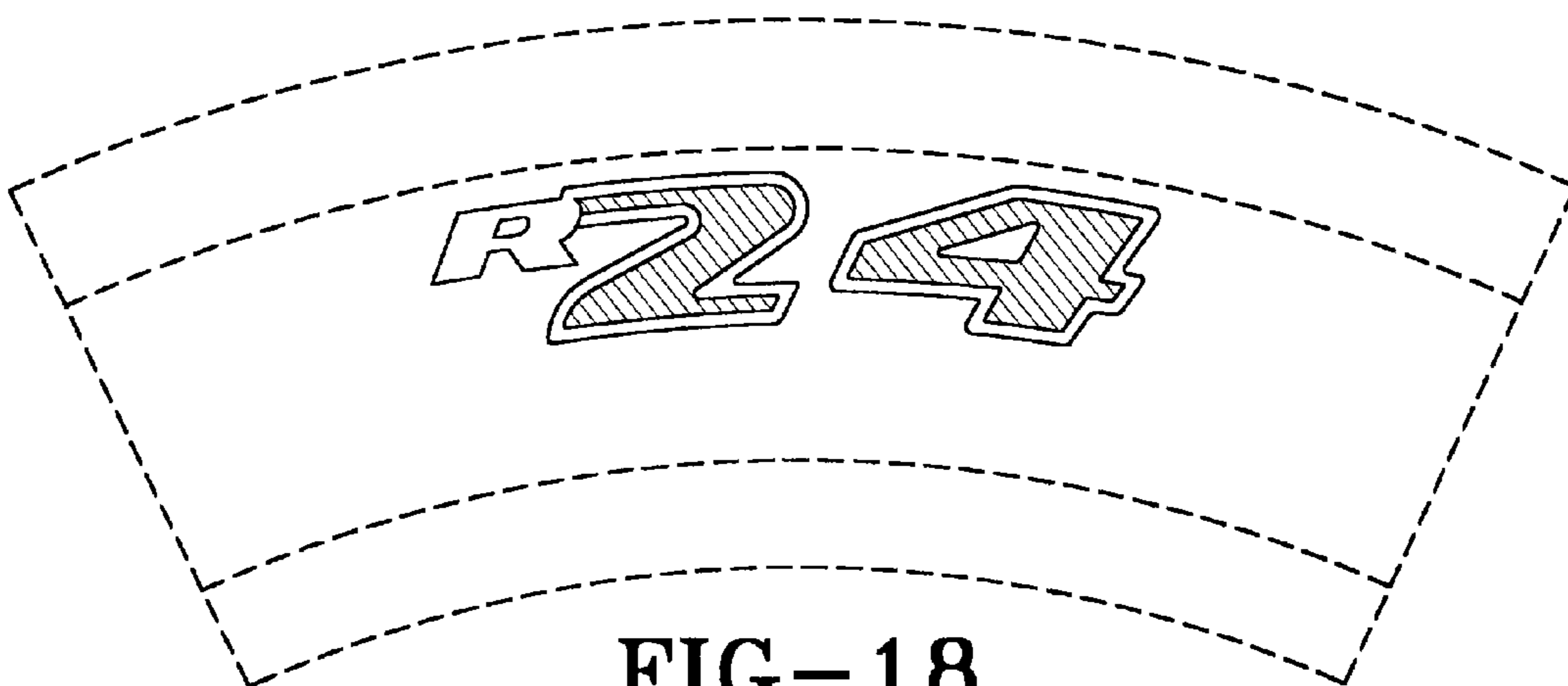


FIG-18

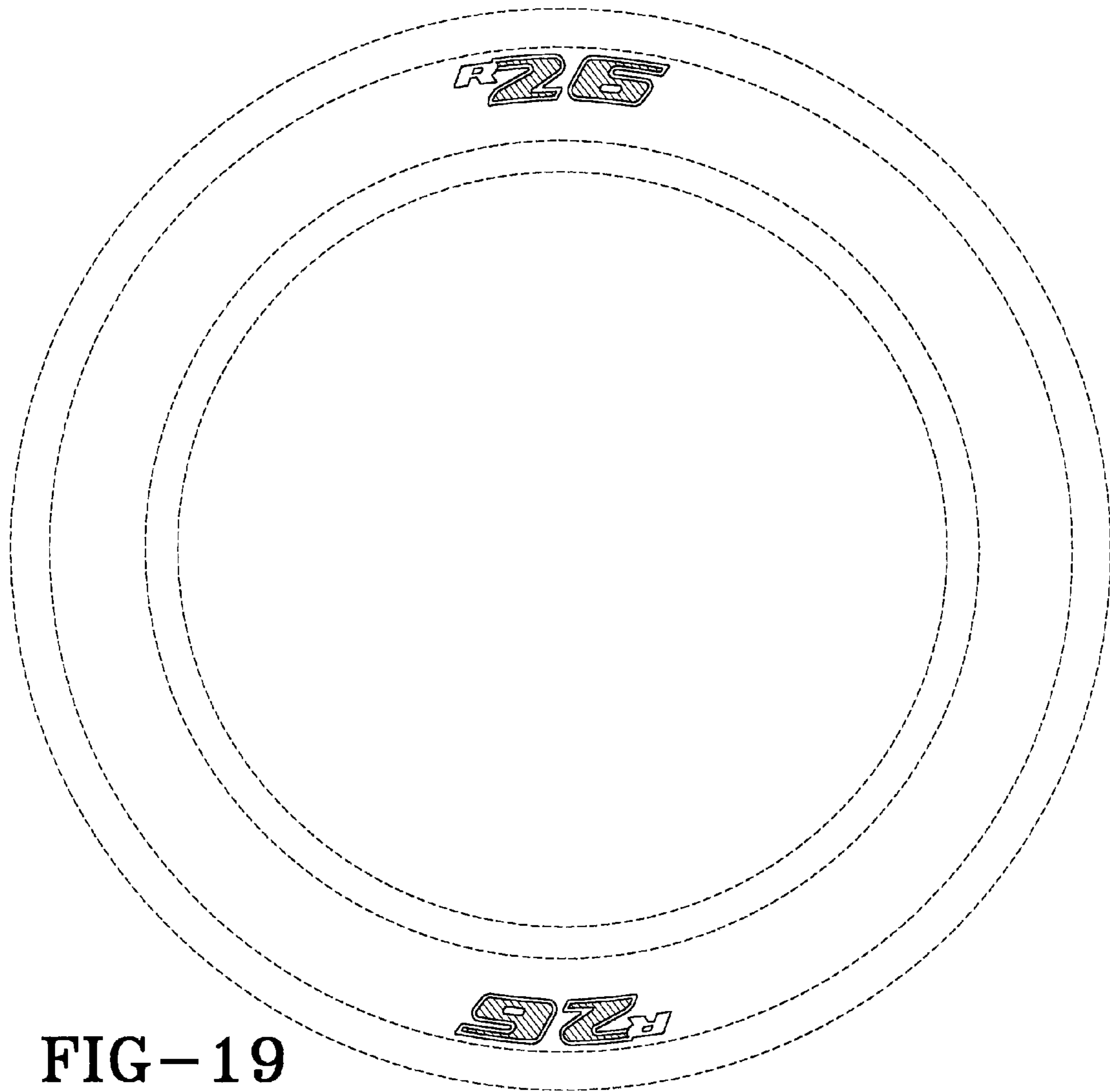


FIG-19

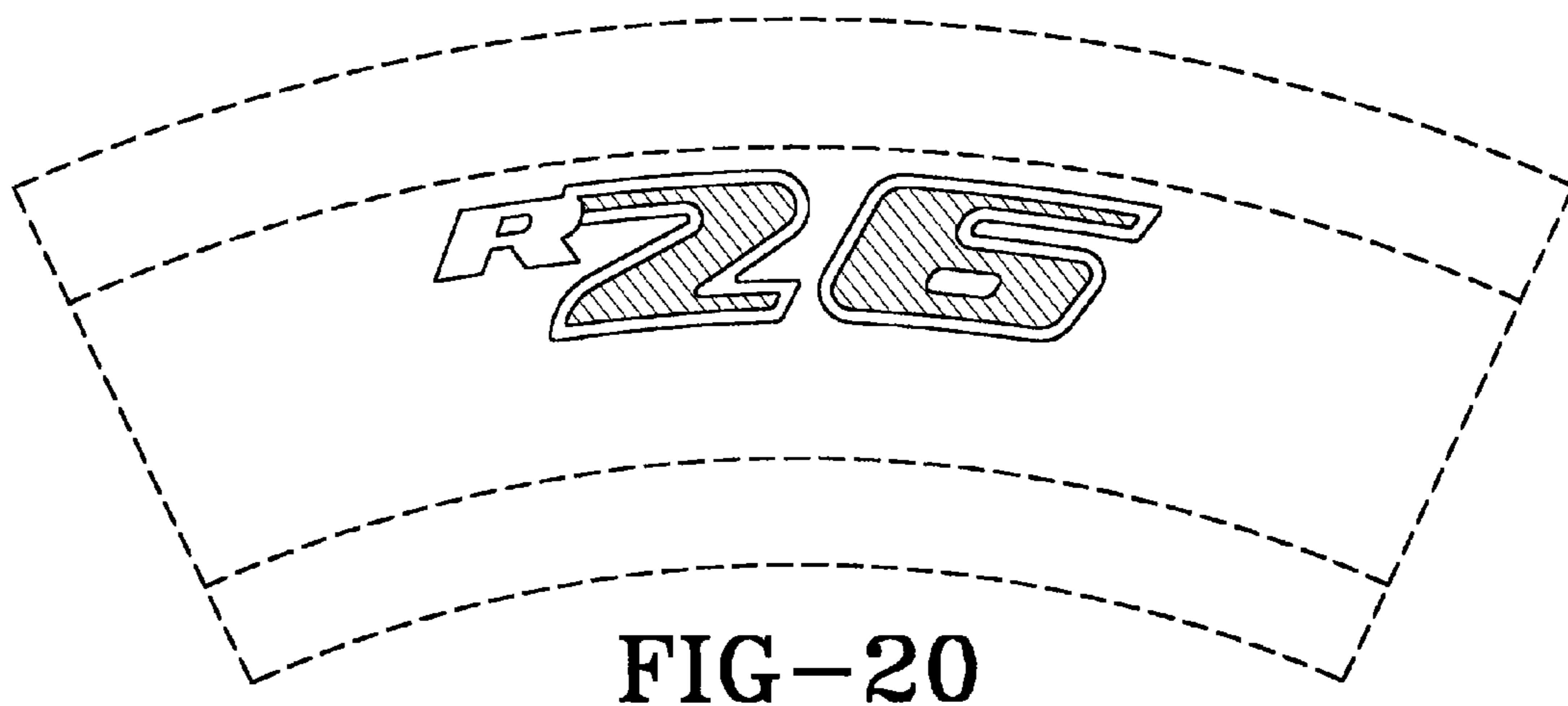


FIG-20