



US00D601484S

(12) **United States Design Patent**  
**Alfonso**

(10) **Patent No.:** **US D601,484 S**

(45) **Date of Patent:** **\*\* Oct. 6, 2009**

(54) **PORTABLE WHEELCHAIR SEAT SADDLEBAG**

(76) Inventor: **Grasheila Alfonso**, 514 NW. 86th St., Vancouver, WA (US) 98665

(\*\*) Term: **14 Years**

(21) Appl. No.: **29/301,493**

(22) Filed: **Mar. 3, 2008**

(51) **LOC (9) Cl.** ..... **12-12**

(52) **U.S. Cl.** ..... **D12/416; D12/133**

(58) **Field of Classification Search** ..... D12/128-133; 280/62, 647-650, 29, 200, 47.38, 35, 250.1, 280/259, 642, 658; 296/65.03, 65.04; 135/65-67, 135/74; 224/153, 575; 5/420; 137/67; 297/380, 297/256.16; D6/611

See application file for complete search history.

(56) **References Cited**

**U.S. PATENT DOCUMENTS**

4,863,003	A	9/1989	Carter	190/8
4,974,620	A *	12/1990	Quillan et al.	135/67
5,154,331	A	10/1992	Sanders	224/42.46
5,178,310	A	1/1993	Sowerby	224/153
5,210,891	A *	5/1993	Avital et al.	5/420
D357,609	S *	4/1995	Webb et al.	D6/596
5,421,637	A	6/1995	Lemburg	297/188.01
5,622,300	A *	4/1997	Robinson	224/575
5,927,575	A *	7/1999	Gatling	224/153
5,938,336	A	8/1999	King	383/4
5,988,465	A	11/1999	Vitale et al.	224/155
6,244,481	B1 *	6/2001	Brougher	224/153
D465,178	S *	11/2002	Hart	D12/133
6,508,511	B1 *	1/2003	Kolpin	297/256.16
6,848,746	B2 *	2/2005	Gentry	297/380
D558,100	S *	12/2007	Dancy	D12/133
2003/0042768	A1	3/2003	Koehn	297/188.01
2007/0018487	A1	1/2007	Bibb et al.	297/188.01

2007/0069560 A1 3/2007 Ranney ..... 297/219.1

**OTHER PUBLICATIONS**

Bibb Enterprises, *Seat Saddle Bag*, Nov. 28, 2007, pp. 1-2, found online at <http://bibbenterprises.com/about.html>.

Unknown author, untitled photo of a seat saddlebag, Nov. 28, 2007, p. 1, found online at <http://www.activemobility.co.uk/shop/images/saddlebaglarge.jpg>.

Unknown author, untitled photo of Wispaseat saddlebag, Nov. 28, 2007, p. 1, found online at <http://www.activemobility.co.uk/shop/images/WISPASEAT.jpg>.

\* cited by examiner

*Primary Examiner*—Charles A Rademaker

*Assistant Examiner*—Charles D Hanson

(74) *Attorney, Agent, or Firm*—Rylander & Associates PC; Kurt M. Rylander; Mark E. Beatty

(57) **CLAIM**

The ornamental design for a portable wheelchair seat saddlebag, as shown and described.

**DESCRIPTION**

FIG. 1 is a perspective view of a portable wheelchair seat saddlebag showing my new design, shown as it would be in use.

FIG. 2 is a front view thereof, shown flat for ease of illustration.

FIG. 3 is a rear view thereof.

FIG. 4 is a right side view thereof.

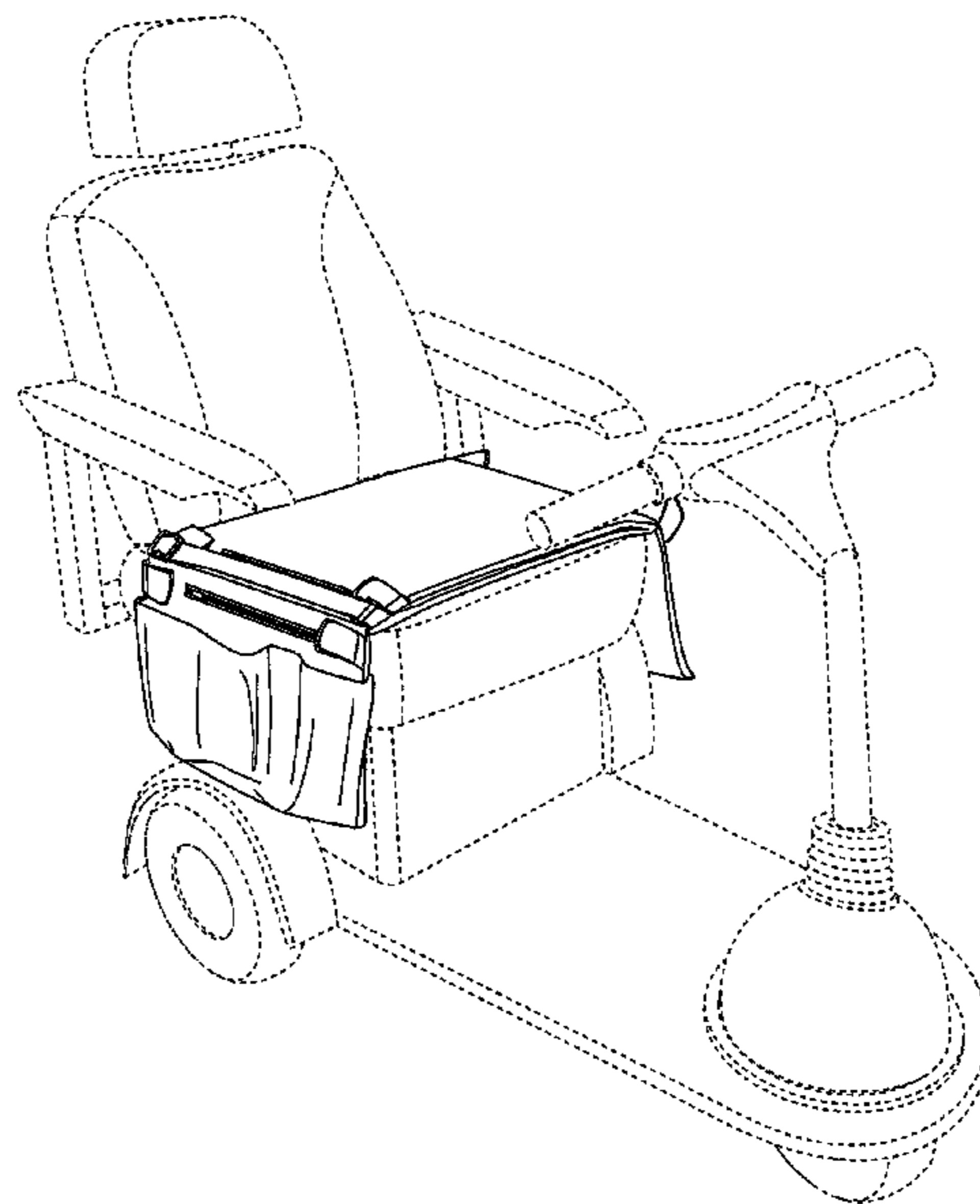
FIG. 5 is a left side view thereof.

FIG. 6 is a top plan view thereof; and,

FIG. 7 is a bottom plan view thereof.

The broken line showing of the wheelchair and portions of the article is included for the purpose of illustrating environment and forms no part of the claimed design.

**1 Claim, 7 Drawing Sheets**



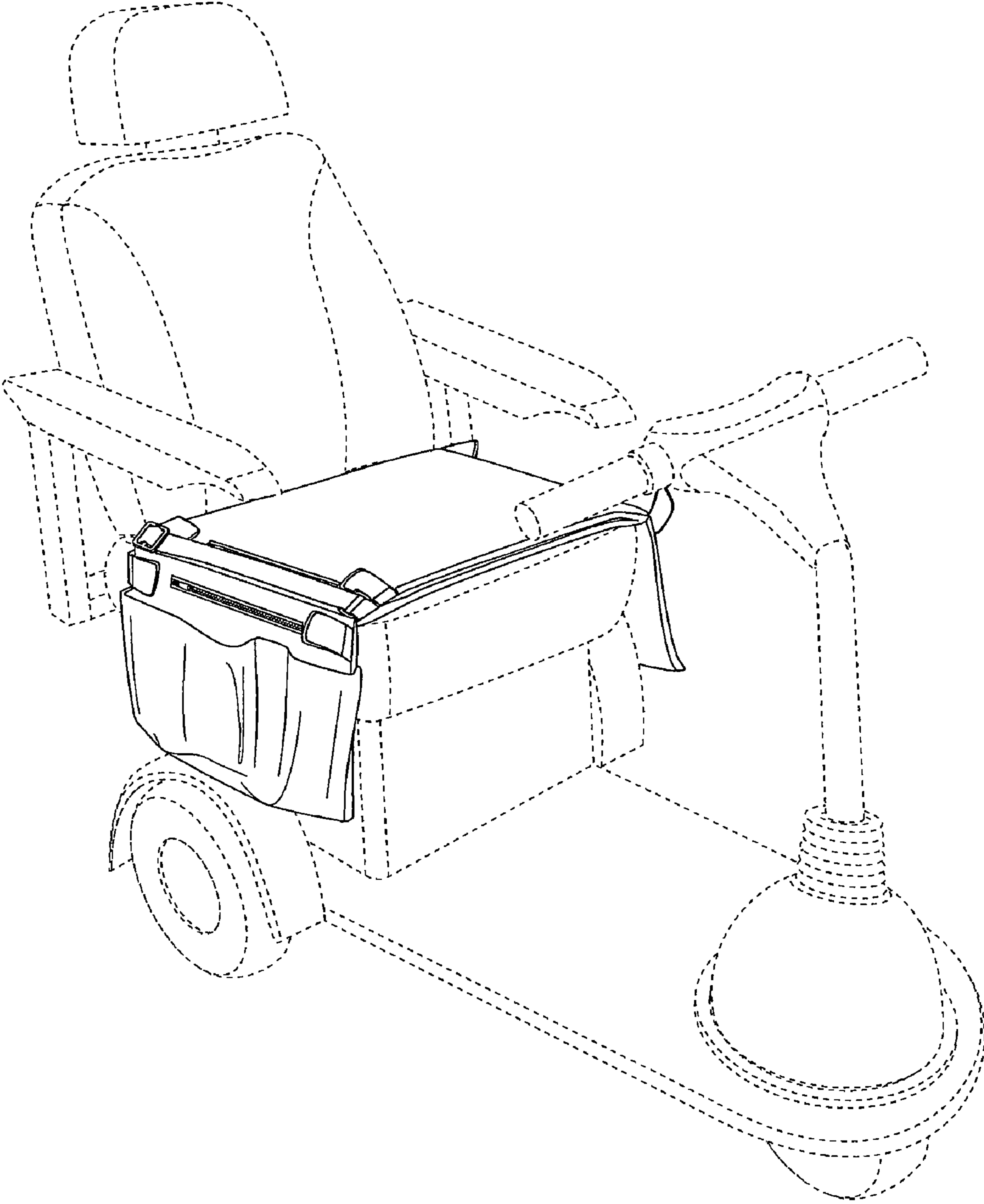


FIG. 1



FIG. 2

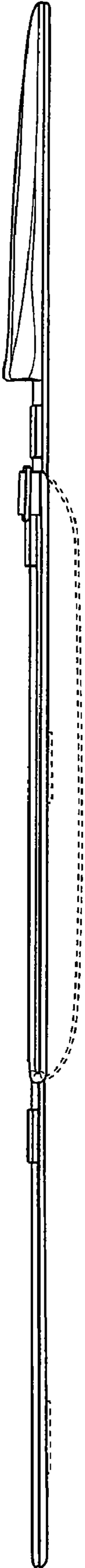
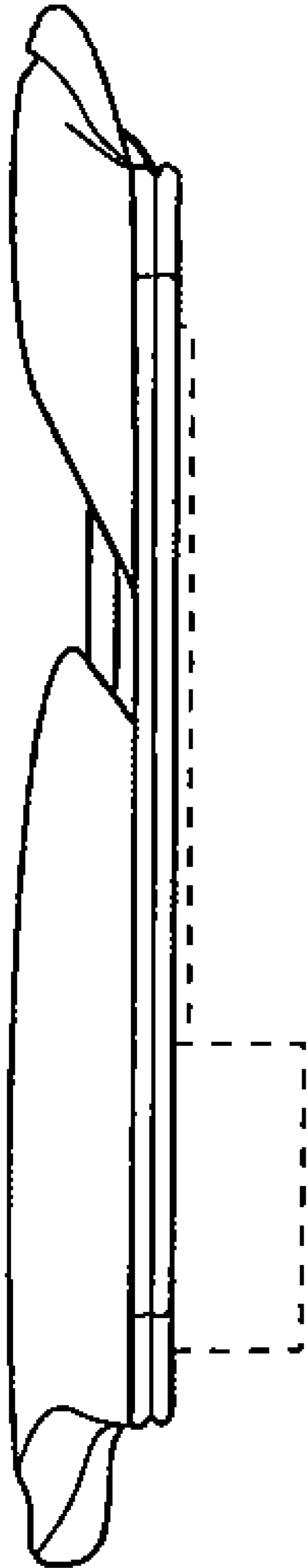
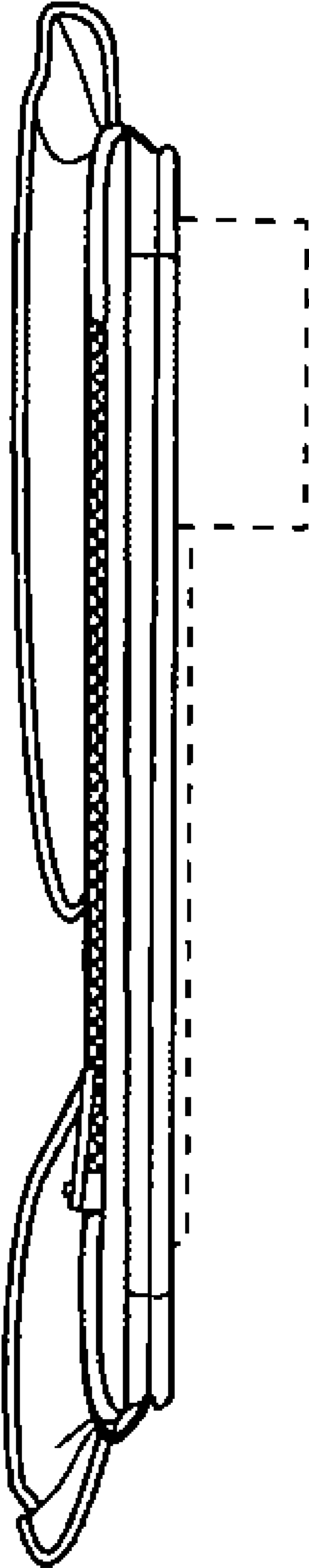


FIG. 3



**FIG. 4**



**FIG. 5**

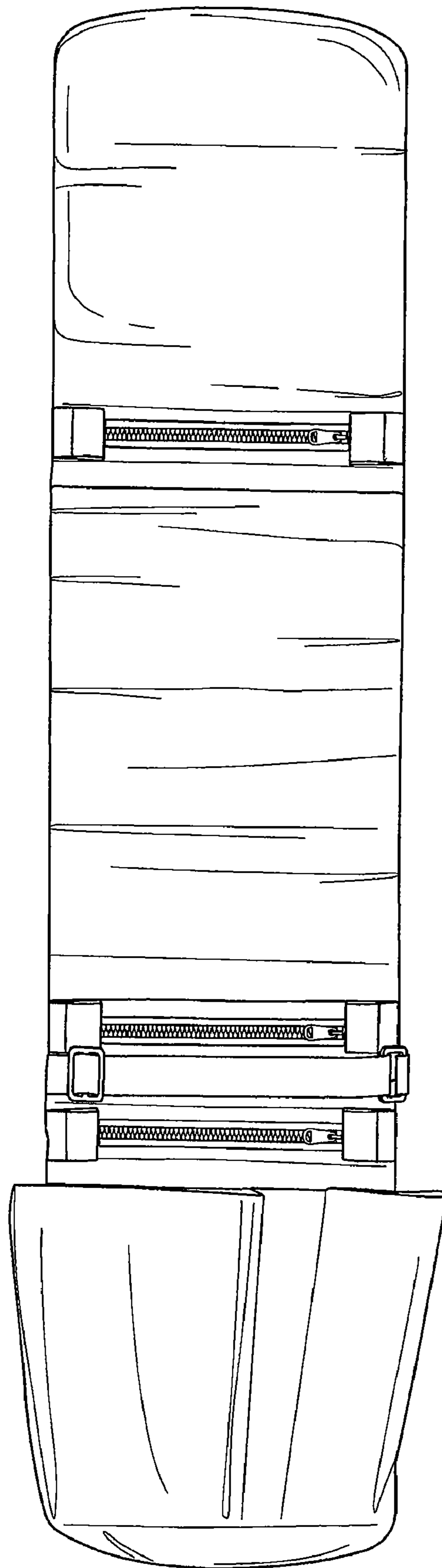


FIG. 6

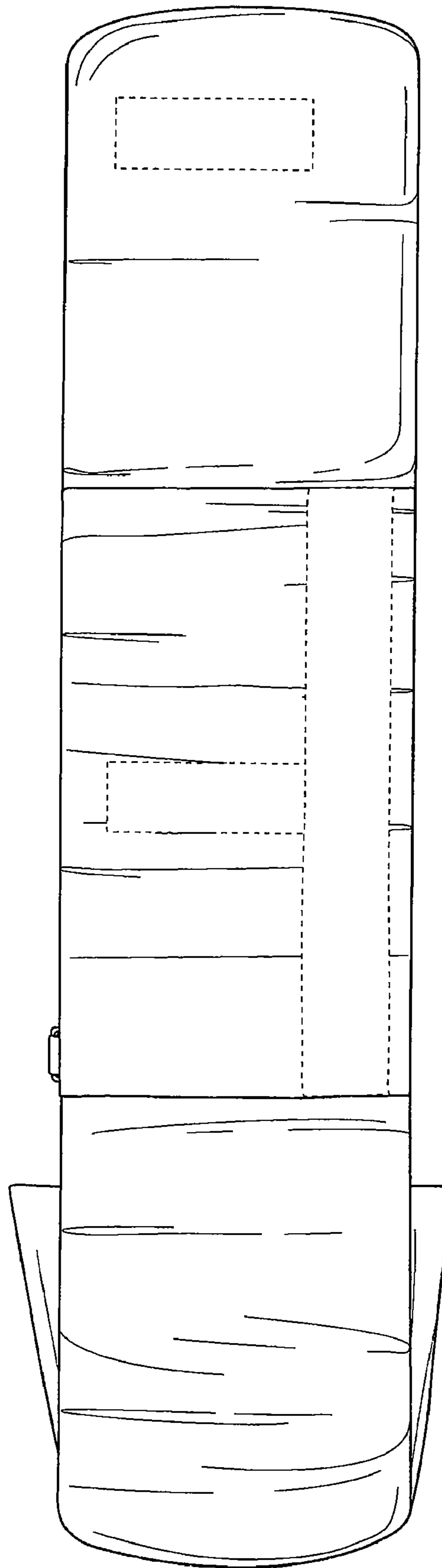


FIG. 7