



US00D601482S

(12) **United States Design Patent**  
**Barrou**

(10) **Patent No.:** **US D601,482 S**  
(45) **Date of Patent:** **\*\* Oct. 6, 2009**

(54) **AIRCRAFT WINDOW**

(75) Inventor: **Laurent Barrou**, Castelnau  
d'Estretfonds (FR)

(73) Assignee: **Airbus SAS**, Blagnac Cedex (FR)

(\*\*) Term: **14 Years**

(21) Appl. No.: **29/333,085**

(22) Filed: **Mar. 3, 2009**

**Related U.S. Application Data**

(62) Division of application No. 29/295,066, filed on Sep.  
20, 2007, now Pat. No. Des. 589,872.

(51) **LOC (9) Cl.** ..... **12-07**

(52) **U.S. Cl.** ..... **D12/345**

(58) **Field of Classification Search** ..... D12/317-319,  
D12/322-324, 326, 343, 345, 400, 183, 195;  
114/78, 189; D25/52; 244/117 R, 119, 126,  
244/129.1, 129.3

See application file for complete search history.

(56) **References Cited**

**U.S. PATENT DOCUMENTS**

3,429,530 A \* 2/1969 Hertel ..... 244/129.3

4,739,955 A \* 4/1988 Aquino et al. .... 244/129.4  
6,129,312 A \* 10/2000 Weber ..... 244/118.5  
D463,357 S \* 9/2002 Granzeier et al. .... D12/345  
6,547,184 B2 \* 4/2003 Nieberle ..... 244/119  
6,786,453 B2 \* 9/2004 Jones ..... 244/129.3  
D588,977 S \* 3/2009 Bock ..... D12/345  
D589,872 S \* 4/2009 Barrou ..... D12/345

\* cited by examiner

*Primary Examiner*—Ian Simmons

*Assistant Examiner*—Dana L Sipos

(74) *Attorney, Agent, or Firm*—Osler, Hoskin & Harcourt  
LLP

(57) **CLAIM**

The ornamental design for an aircraft window, as shown and  
described.

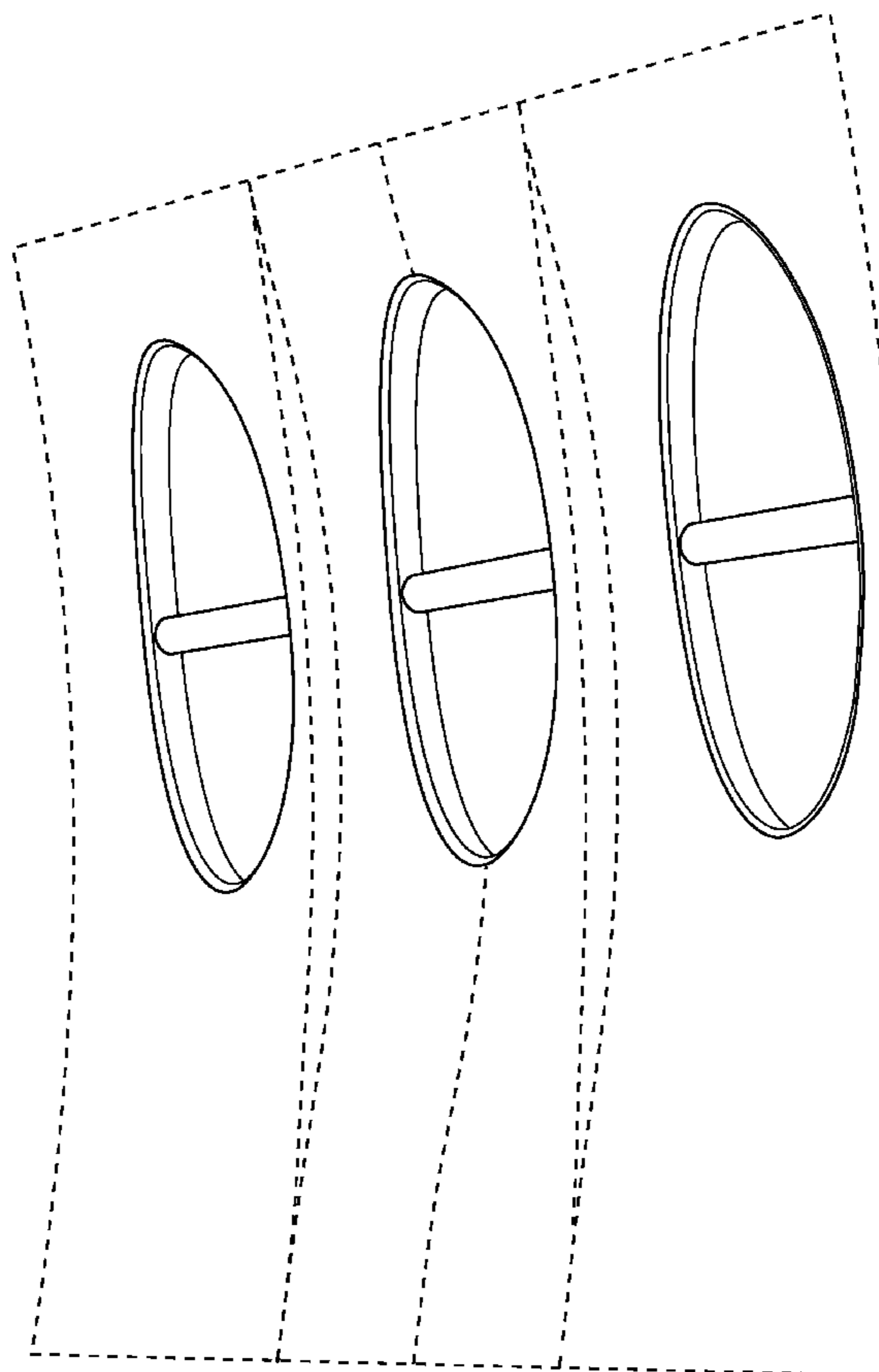
**DESCRIPTION**

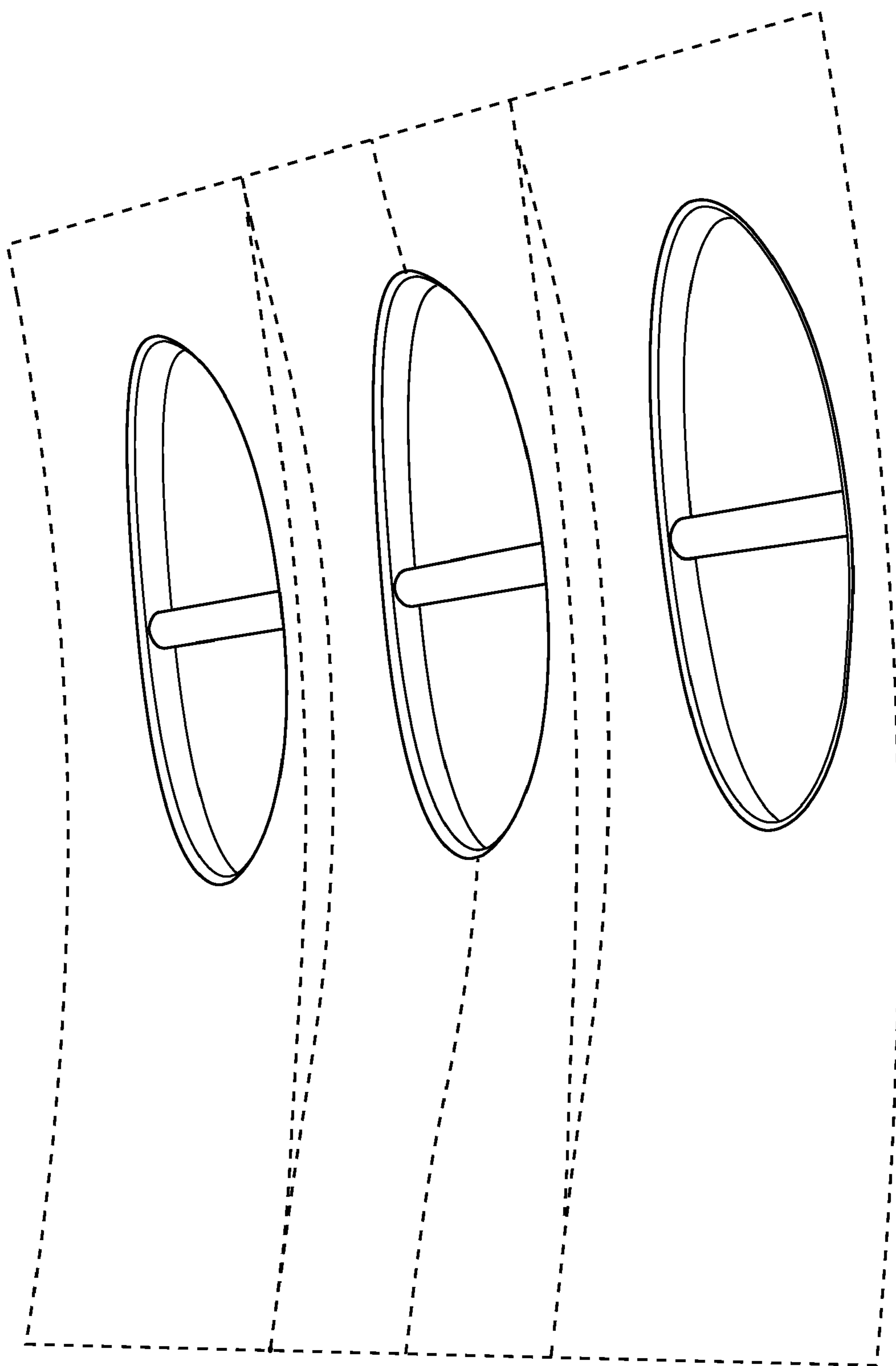
FIG. 1 is a front and right side perspective view showing an  
aircraft window according to my new design; and,

FIG. 2 is a front elevational view thereof.

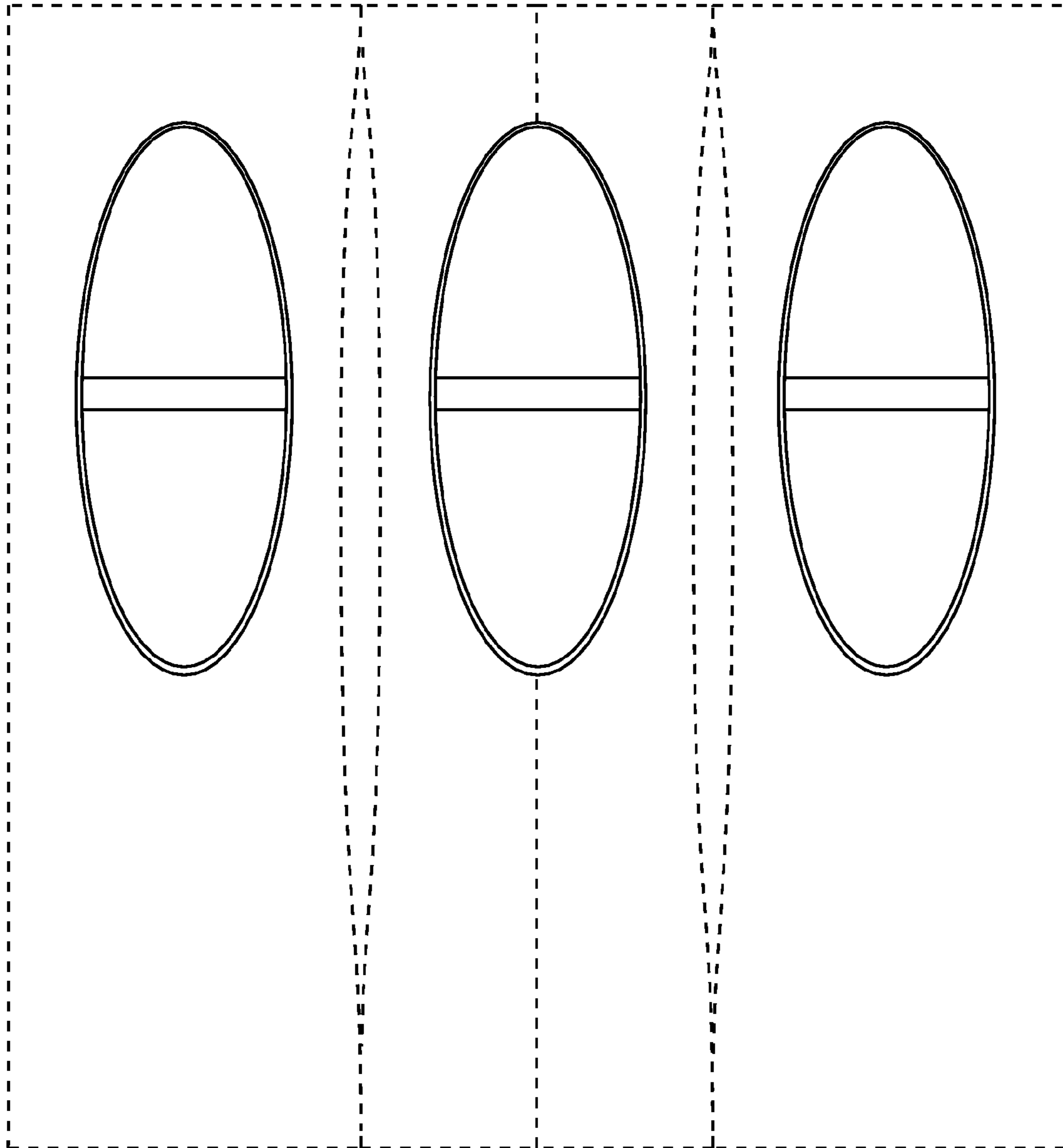
Throughout the Figures, broken lines showing structure are  
for illustrative purposes only and form no part of the claimed  
design.

**1 Claim, 2 Drawing Sheets**





**FIG. 1**



**FIG. 2**