



US00D601479S

(12) **United States Design Patent**  
**Shaw**

(10) **Patent No.:** **US D601,479 S**

(45) **Date of Patent:** **\*\* Oct. 6, 2009**

(54) **LARGE WHEEL CHOCK**

(76) Inventor: **Anne Shaw**, Box 68, San Gabriel, CA  
(US) 91778-0068

(\*\*) Term: **14 Years**

(21) Appl. No.: **29/318,274**

(22) Filed: **May 16, 2008**

(51) **LOC (9) Cl.** ..... **12-06**

(52) **U.S. Cl.** ..... **D12/217**

(58) **Field of Classification Search** ..... D12/114,  
D12/120, 180, 203, 217; 188/32, 4 R, 36;  
D8/402; 280/293

See application file for complete search history.

(56) **References Cited**

**U.S. PATENT DOCUMENTS**

D180,922 S *	9/1957	Zikmund et al. ....	D12/217
4,502,816 A *	3/1985	Creter et al. ....	405/30
D282,459 S *	2/1986	Sauber .....	D12/217
D307,575 S *	5/1990	Gano .....	D12/217
D316,243 S *	4/1991	Henry .....	D12/217
D397,986 S *	9/1998	Henry .....	D12/217
D432,976 S *	10/2000	Chiang .....	D12/217
D493,408 S *	7/2004	Chrisco et al. ....	D12/217
D500,979 S *	1/2005	Chrisco et al. ....	D12/217
D511,734 S *	11/2005	Moore et al. ....	D12/217

D520,438 S *	5/2006	Colak et al. ....	D12/217
7,040,461 B2 *	5/2006	Chrisco et al. ....	188/32
D531,106 S *	10/2006	Davidian .....	D12/217
D531,568 S *	11/2006	Davidian .....	D12/217
7,416,166 B1 *	8/2008	Shaw .....	254/88

\* cited by examiner

*Primary Examiner*—Elizabeth A Albert

*Assistant Examiner*—Kelley A Donnelly

(74) *Attorney, Agent, or Firm*—Michael W. Caldwell

(57) **CLAIM**

The ornamental design for a large wheel chock, as shown and described.

**DESCRIPTION**

FIG. 1 is a frontal perspective view of my new design;

FIG. 2 is a top plan view thereof;

FIG. 3 is a frontal view thereof;

FIG. 4 is a rear view thereof;

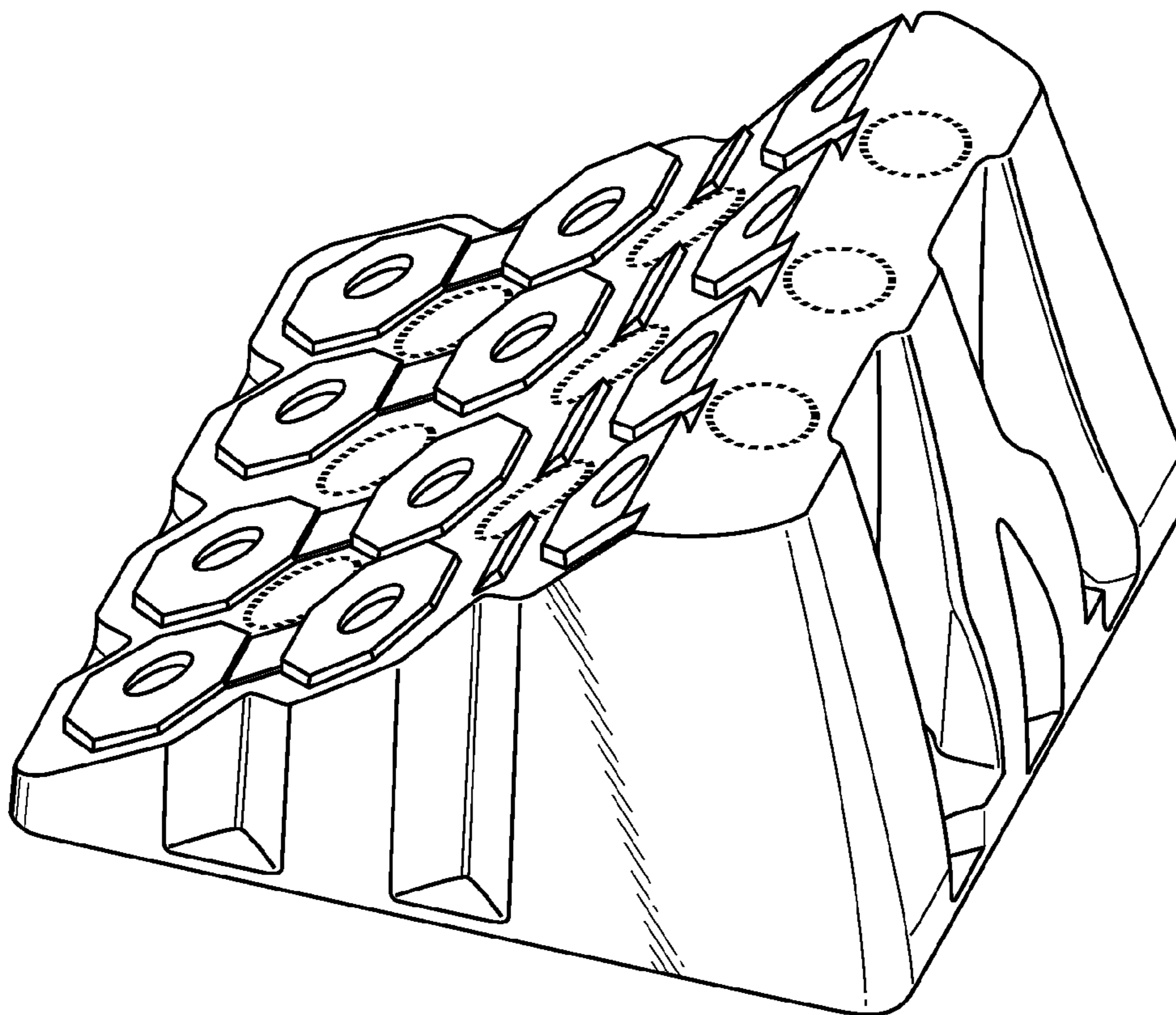
FIG. 5 is a left side view thereof;

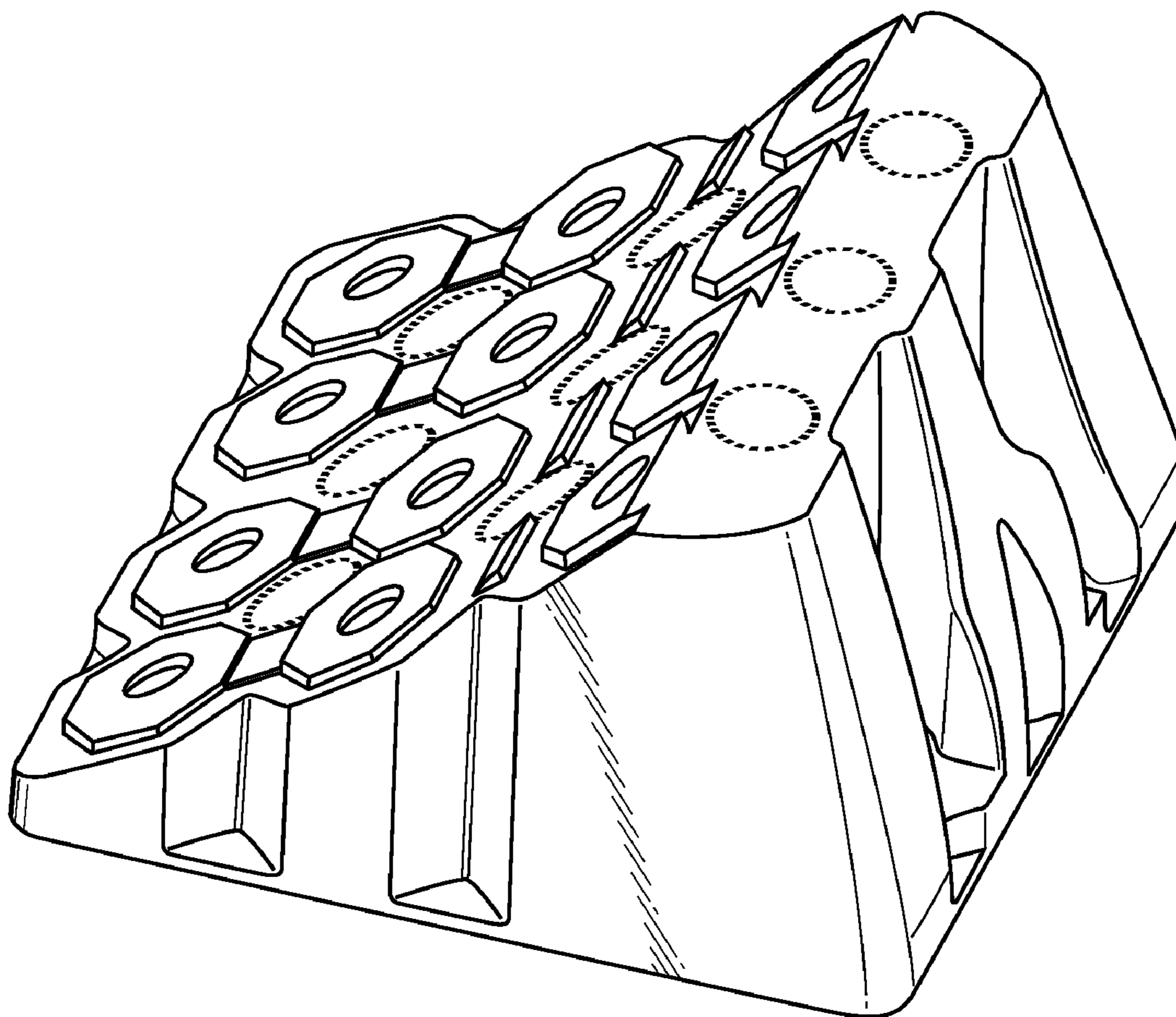
FIG. 6 is a right side view thereof; and,

FIG. 7 is a right side view thereof.

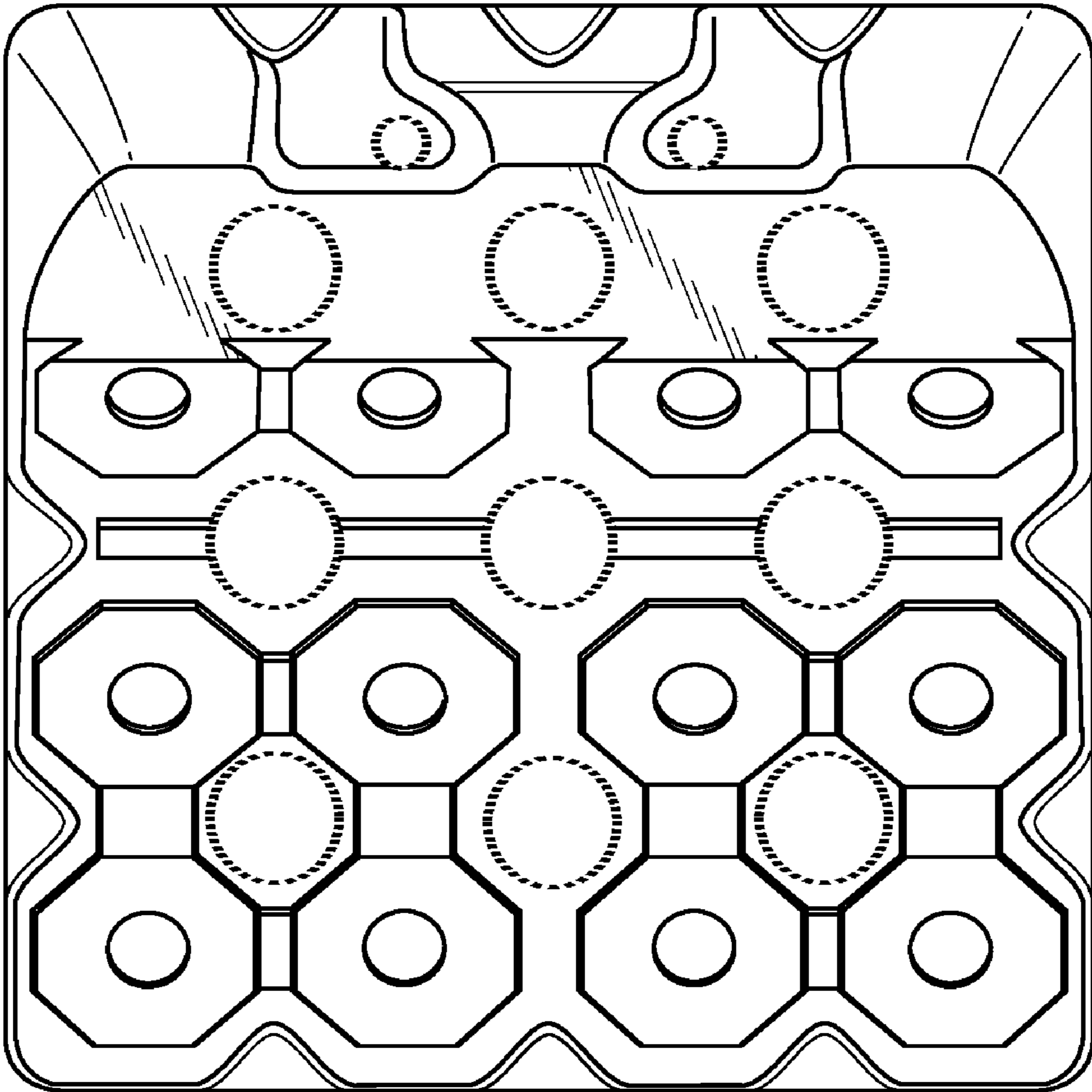
The broken lines are for environmental purposes only and form no part of the claimed design.

**1 Claim, 5 Drawing Sheets**

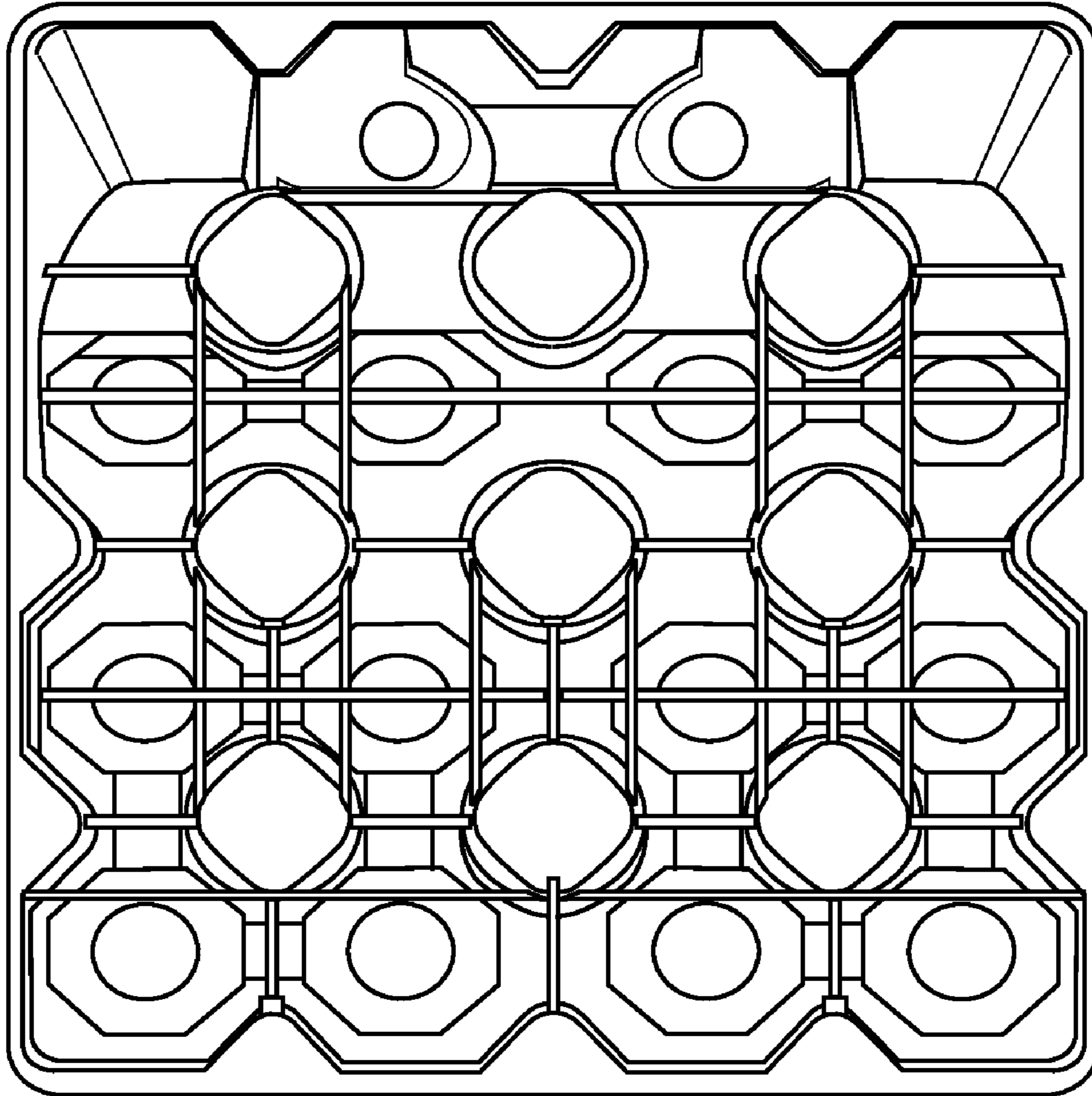




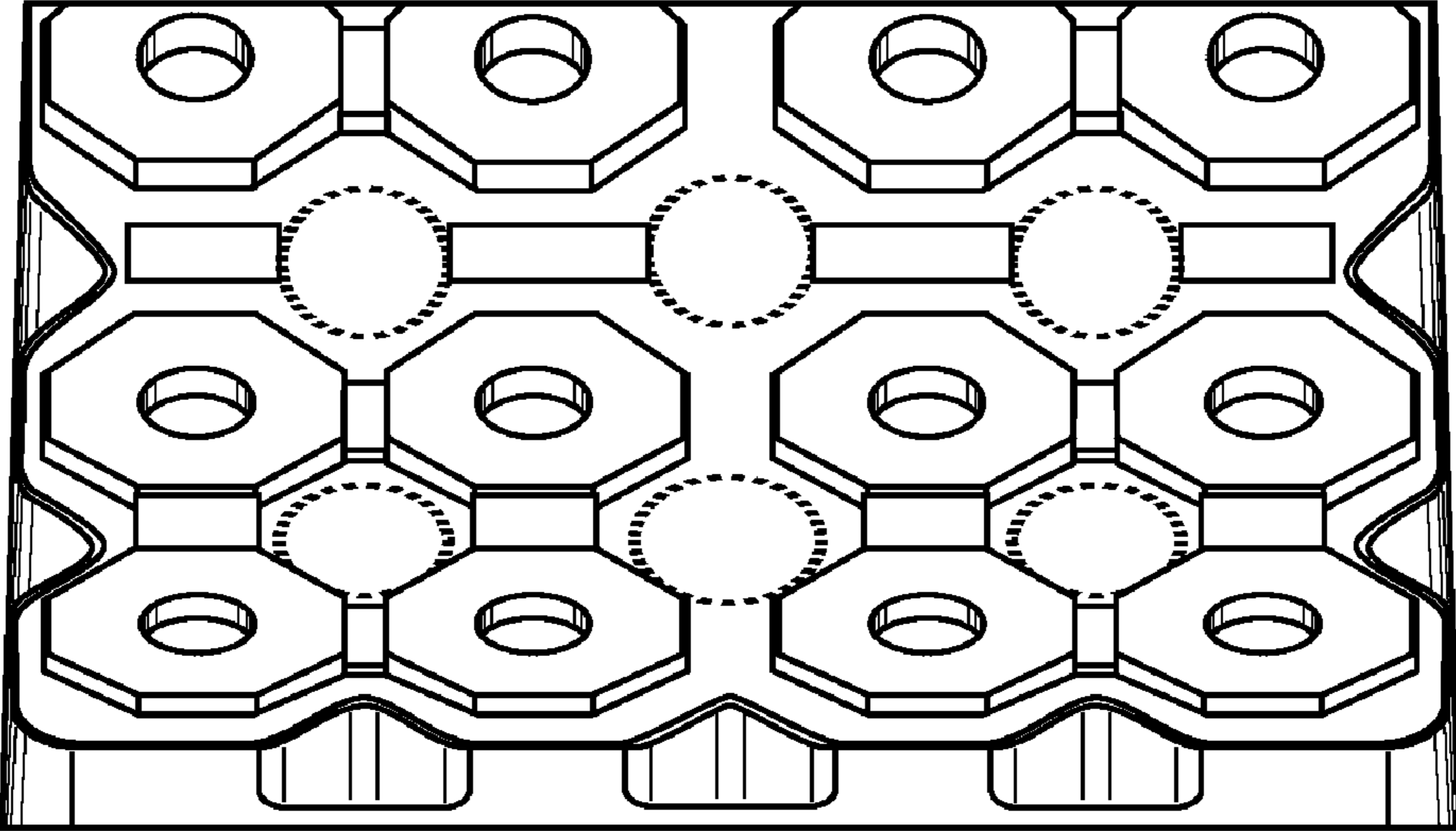
**Fig. 1**



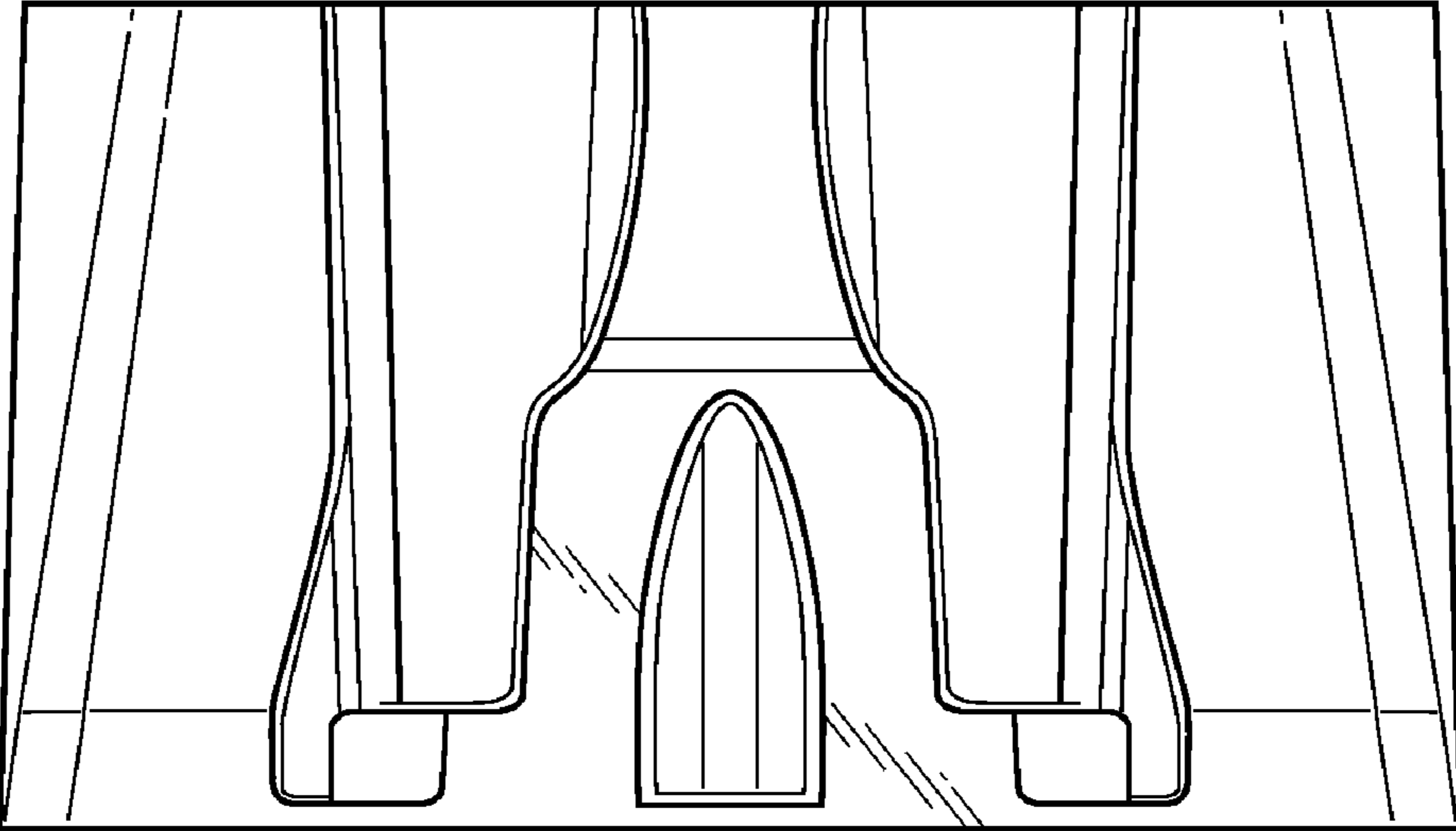
**Fig. 2**



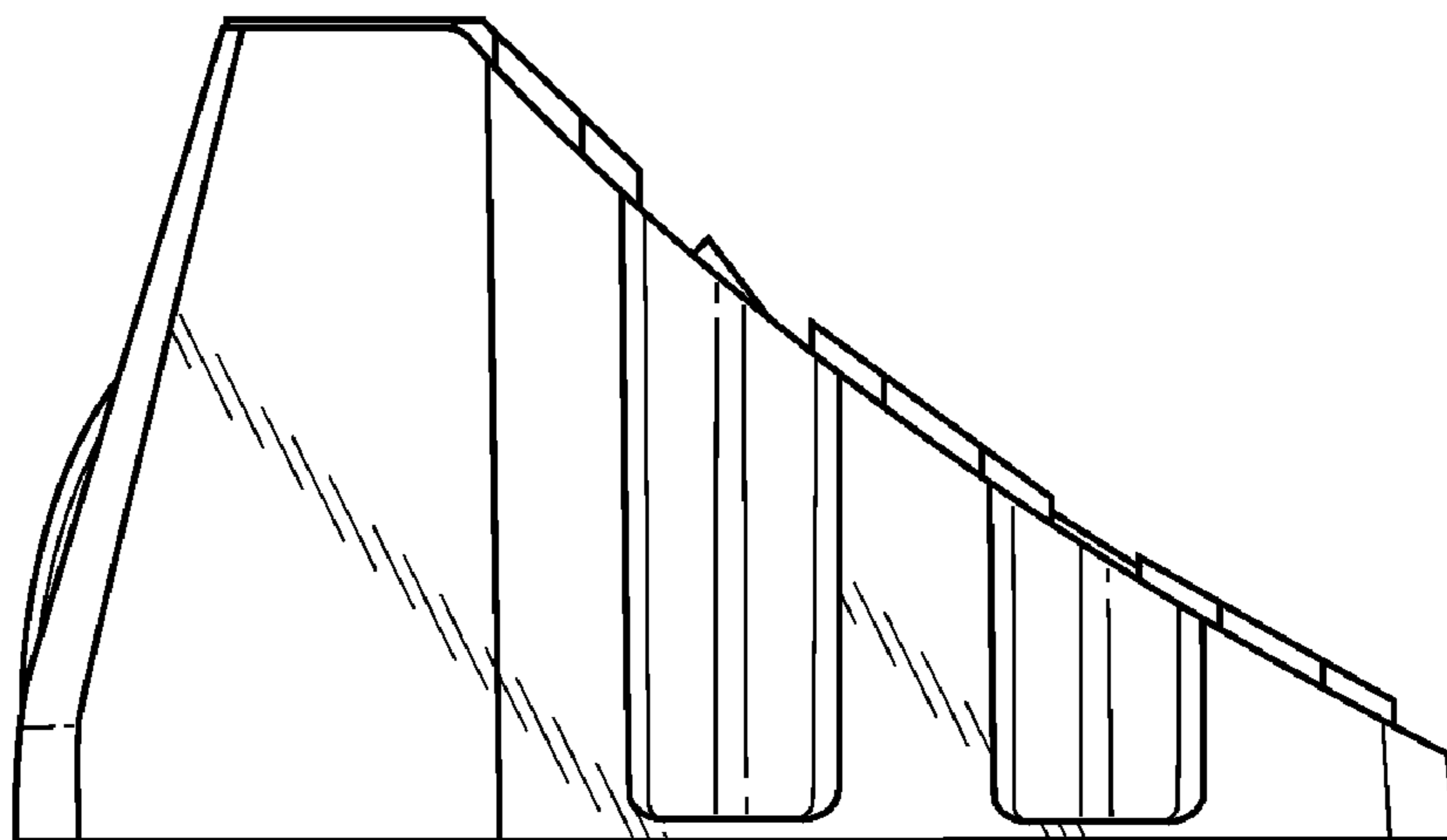
***Fig. 3***



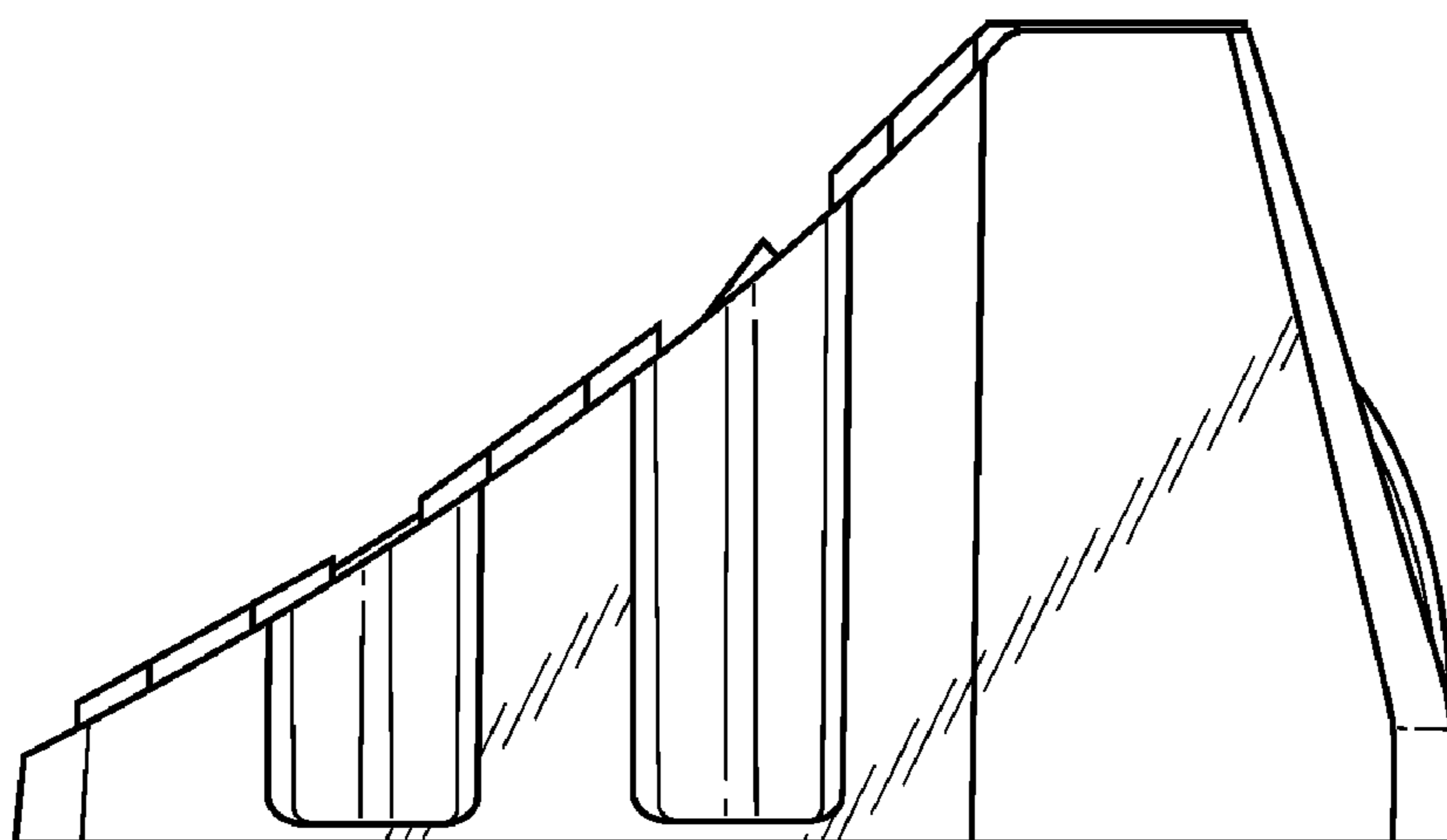
**Fig. 4**



**Fig. 5**



***Fig. 6***



***Fig. 7***