



US00D601478S

(12) **United States Design Patent**
Hu

(10) **Patent No.:** **US D601,478 S**

(45) **Date of Patent:** **** Oct. 6, 2009**

(54) **LICENSE PLATE FRAME**

(75) Inventor: **Ming-Liang Hu**, No. 129, Lane 523,
Sec. 3, Chung Cheng Rd., Jen Te, Tainan
Hsein (TW)

(73) Assignee: **Ming-Liang Hu**, Tainan Hsein (TW)

(**) Term: **14 Years**

(21) Appl. No.: **29/336,527**

(22) Filed: **May 5, 2009**

(51) **LOC (9) Cl.** **12-16**

(52) **U.S. Cl.** **D12/193**

(58) **Field of Classification Search** D12/193;
D6/300-303, 310-314; 40/200-204, 207-214;
362/497, 473, 327, 604; D20/13
See application file for complete search history.

(56) **References Cited**

U.S. PATENT DOCUMENTS

- D358,359 S * 5/1995 Shusterman D12/193
- D359,261 S * 6/1995 Shusterman D12/193
- D373,560 S * 9/1996 Spencer D12/193
- D377,161 S * 1/1997 Shuen D12/193
- D383,720 S * 9/1997 Spencer D12/193

- D411,500 S * 6/1999 Steinhagen D12/193
- D453,491 S * 2/2002 Schmitz D12/193
- D488,753 S * 4/2004 Spencer D12/193
- D488,754 S * 4/2004 Spencer D12/193
- D578,943 S * 10/2008 Lin D12/193
- D579,391 S * 10/2008 Lin D12/193

* cited by examiner

Primary Examiner—Stacia Cadmus

(74) *Attorney, Agent, or Firm*—Fish & Richardson P.C.

(57) **CLAIM**

The ornamental design for license plate frame, as shown and described.

DESCRIPTION

FIG. 1 is a perspective view of license plate frame showing my new design;

FIG. 2 is a front elevational view thereof;

FIG. 3 is a rear elevational view thereof;

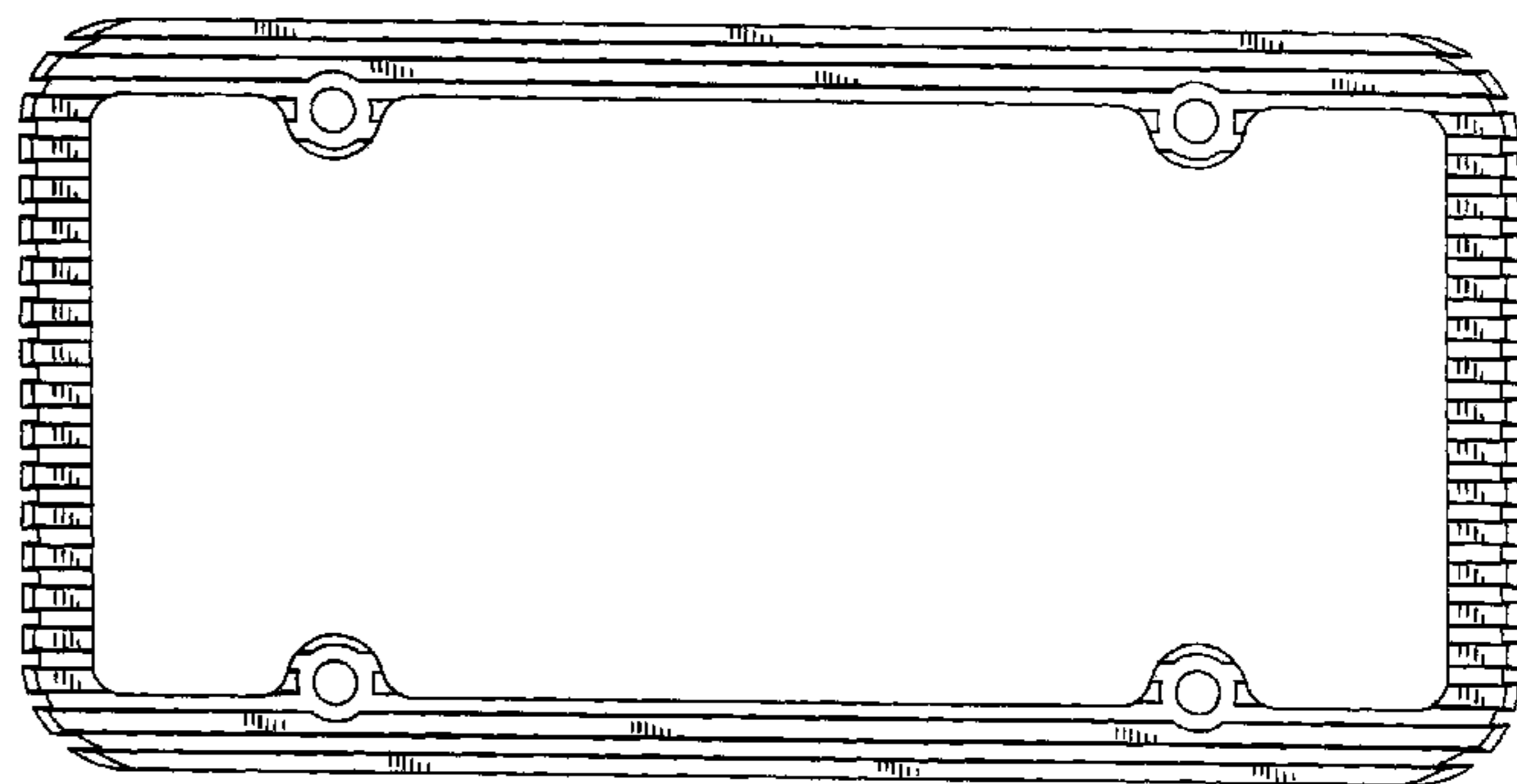
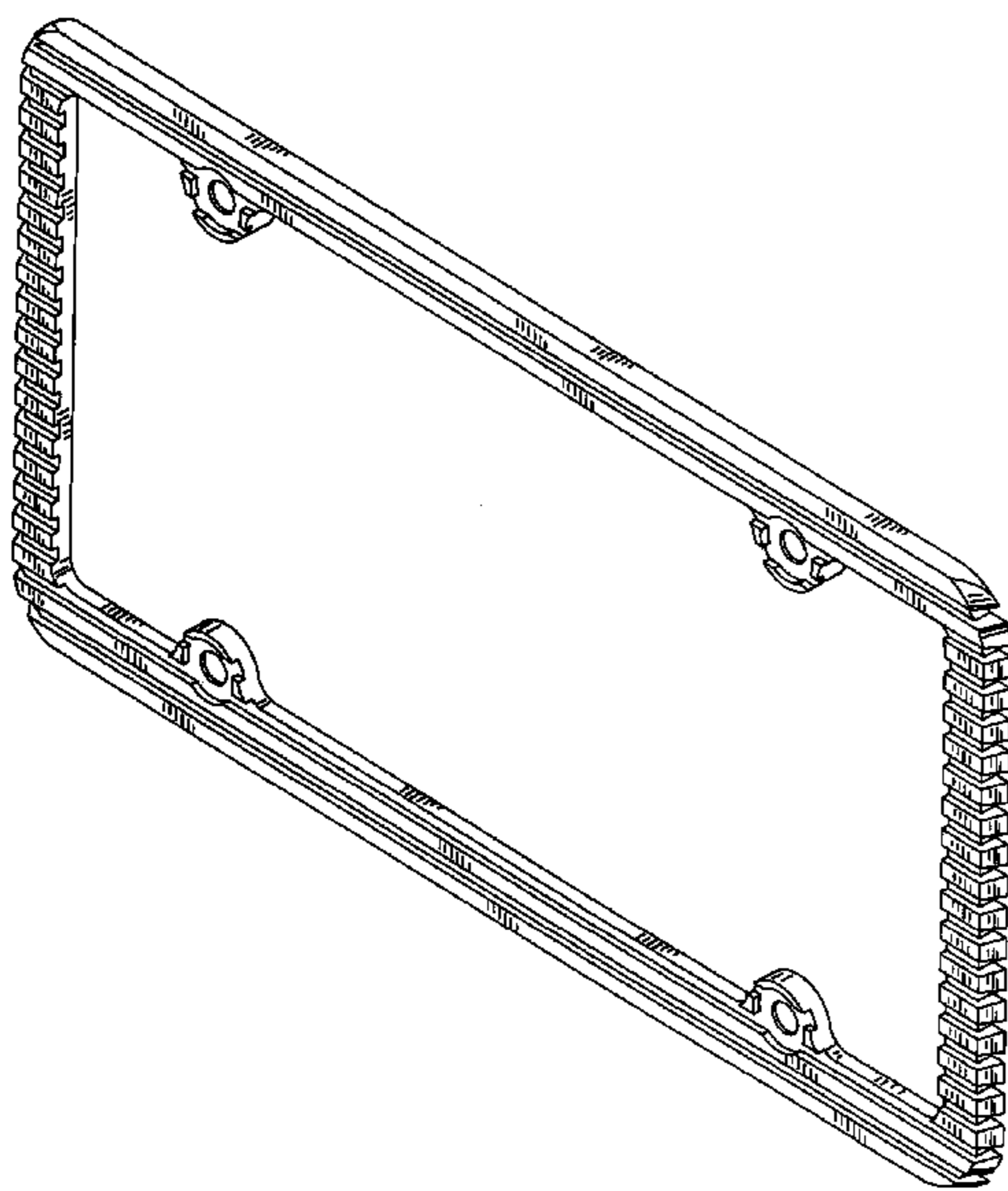
FIG. 4 is a left side elevational view thereof;

FIG. 5 is a right side elevational view thereof;

FIG. 6 is a top plan view thereof; and,

FIG. 7 is a bottom plan view thereof.

1 Claim, 5 Drawing Sheets



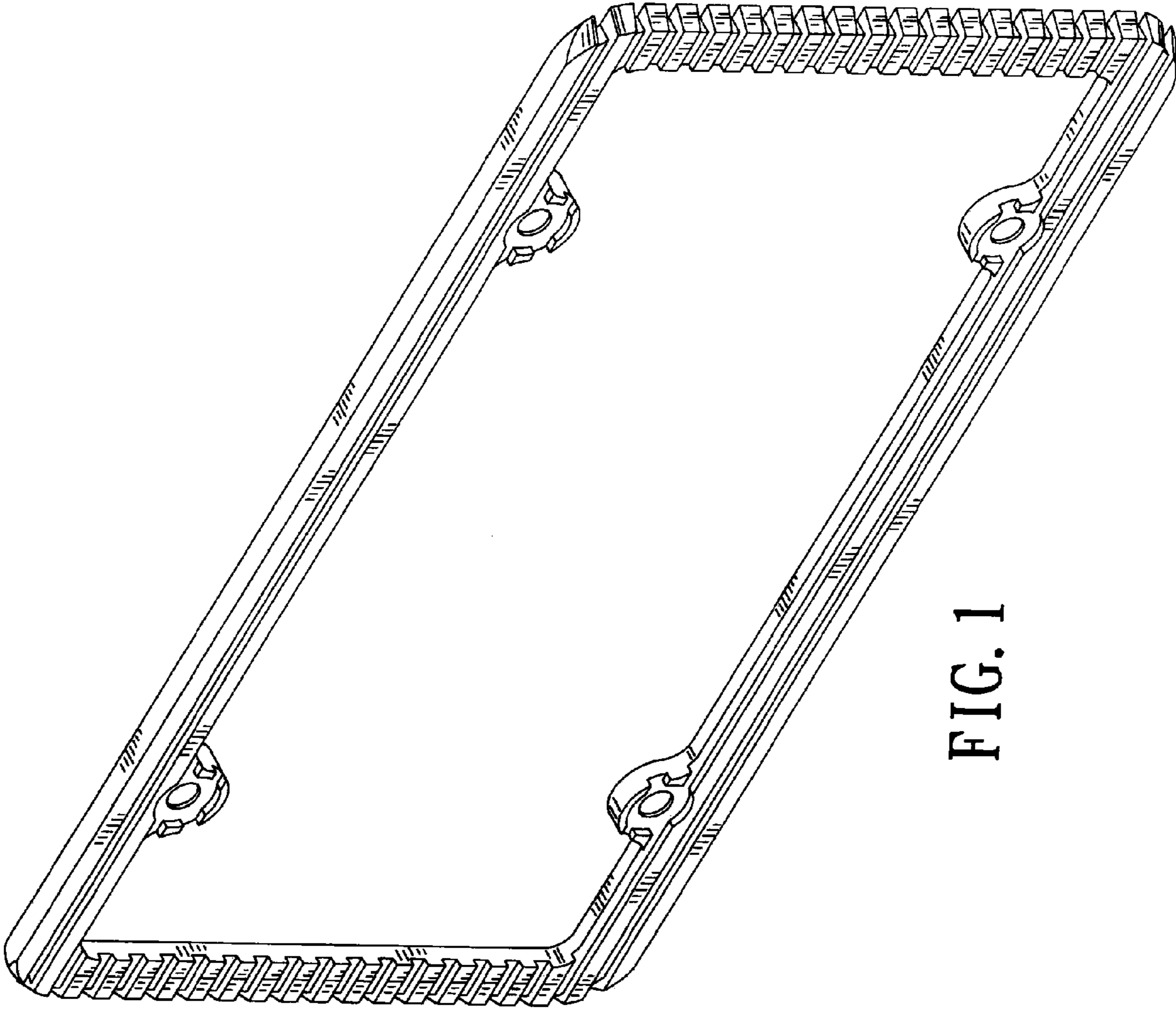


FIG. 1

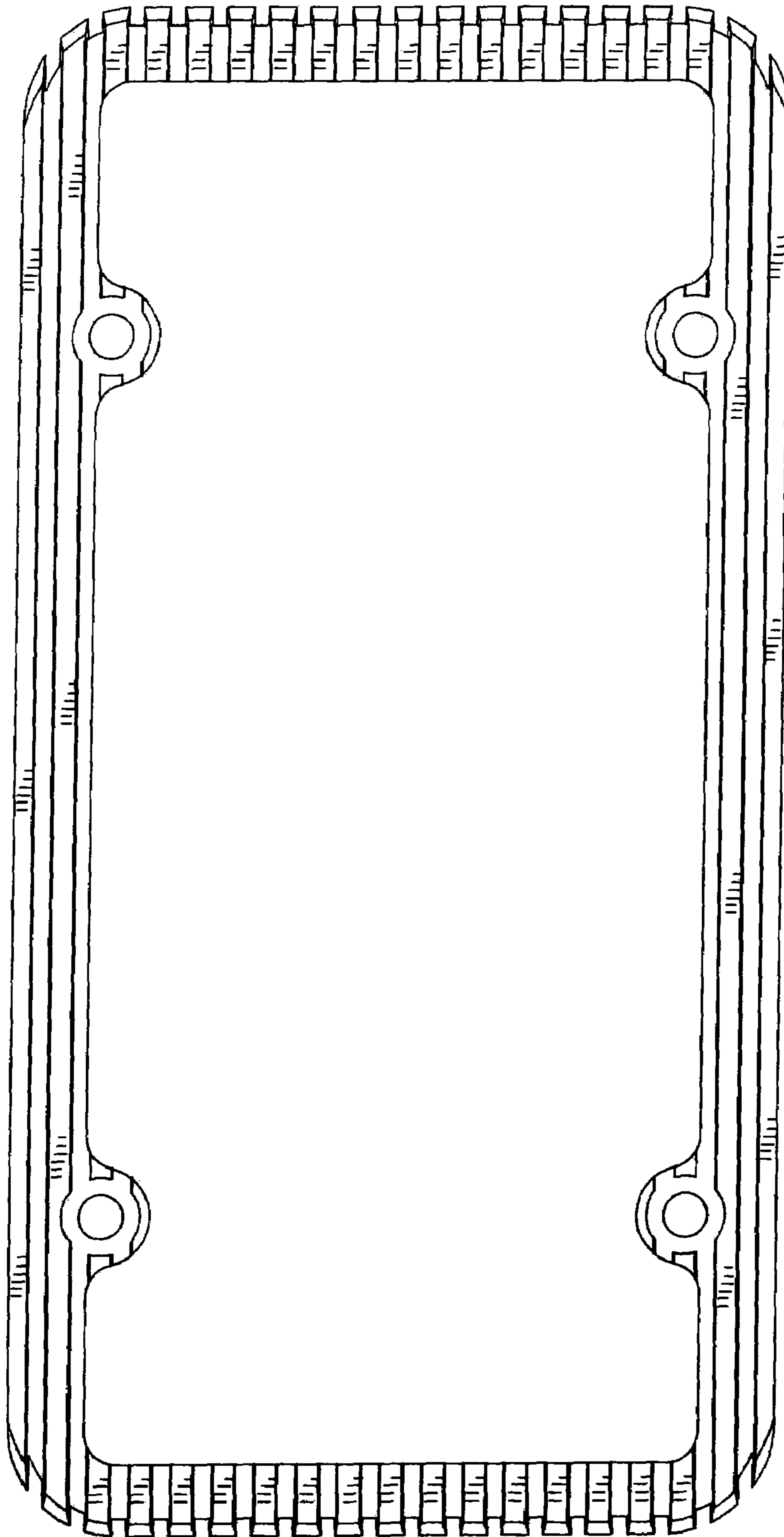


FIG. 2

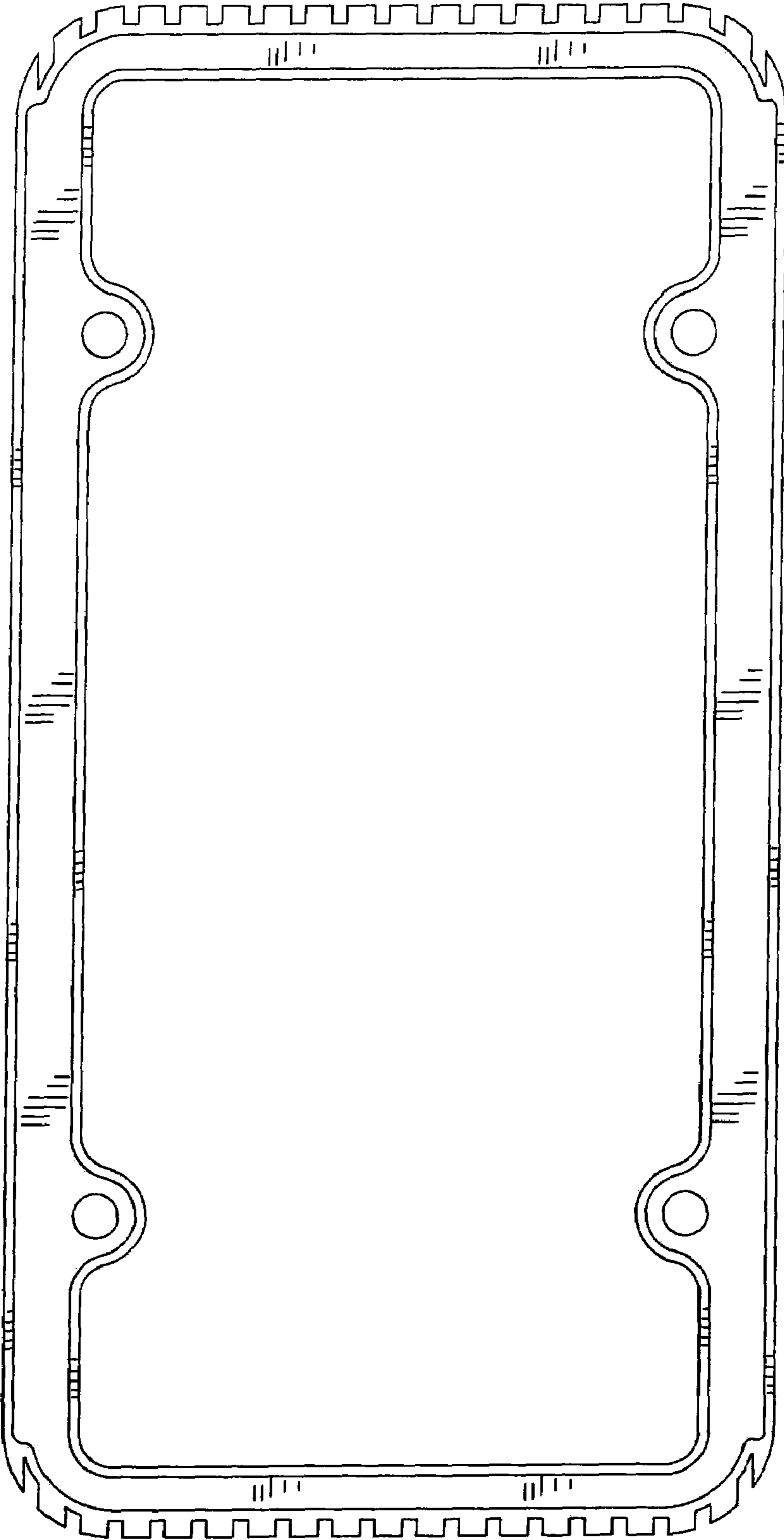


FIG. 3



FIG. 5



FIG. 4

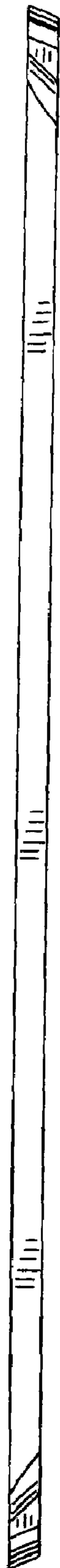


FIG. 6

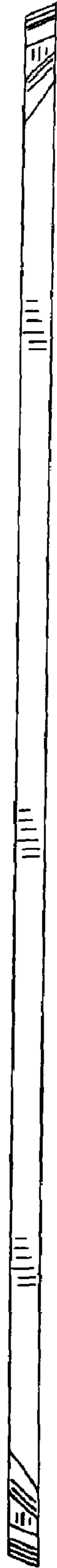


FIG. 7