



US00D601477S

(12) **United States Design Patent**  
**Ma et al.**

(10) **Patent No.:** **US D601,477 S**  
(45) **Date of Patent:** **\*\* Oct. 6, 2009**

(54) **CAR UNDERCARRIAGE**

(75) Inventors: **Junda Ma**, Shenzhen (CN); **Bengang Yi**, Shenzhen (CN); **Yubin Wang**, Shenzhen (CN); **Na Li**, Shenzhen (CN)

(73) Assignee: **BYD Company Limited**, Shenzhen (CN)

(\*\*) Term: **14 Years**

(21) Appl. No.: **29/334,237**

(22) Filed: **Mar. 23, 2009**

(30) **Foreign Application Priority Data**

Oct. 10, 2008 (CN) ..... 2008 3 0252019

(51) **LOC (9) Cl.** ..... **12-16**

(52) **U.S. Cl.** ..... **D12/190**

(58) **Field of Classification Search** ..... D12/190, D12/181, 400, 90, 91, 92, 114, 199, 196, D12/197, 86, 171, 172, 173, 169, 163; D11/211, D11/81, 157, 133, 172; 293/102, 115, 1.07-1.08; D20/11, 23, 24, 25; 40/760, 591-594; 428/98-99, 428/31

See application file for complete search history.

(56) **References Cited**

**U.S. PATENT DOCUMENTS**

298,251 A \* 5/1884 Tellier ..... 175/10

4,045,042 A \* 8/1977 Walter ..... 280/79.11  
4,486,046 A \* 12/1984 Whitney et al. .... 296/180.4  
4,688,490 A \* 8/1987 Burleson ..... 105/378  
5,211,413 A \* 5/1993 Williams et al. .... 280/149.2  
5,314,201 A \* 5/1994 Wessels ..... 280/407.1  
2007/0227395 A1 \* 10/2007 Zaerr ..... 105/355

\* cited by examiner

*Primary Examiner*—Caron Veynar

*Assistant Examiner*—Katrina A Kile

(74) *Attorney, Agent, or Firm*—Greenberg Traurig, LLP

(57) **CLAIM**

The ornamental design for a car undercarriage, as shown and described.

**DESCRIPTION**

FIG. 1 is a front view of a car undercarriage in accordance with the present design;

FIG. 2 is a rear view of the car undercarriage;

FIG. 3 is a left side view of the car undercarriage;

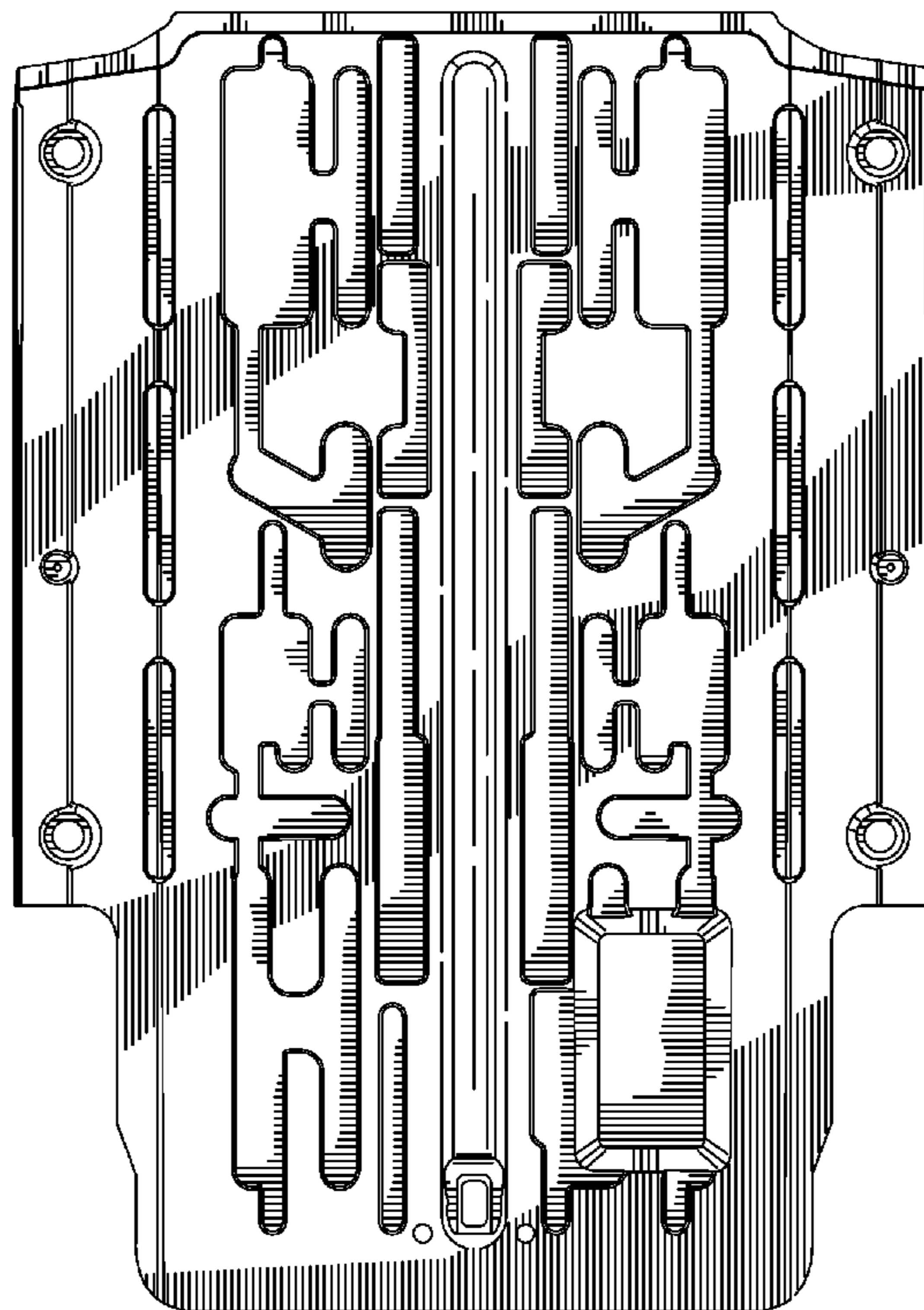
FIG. 4 is a right side view of the car undercarriage;

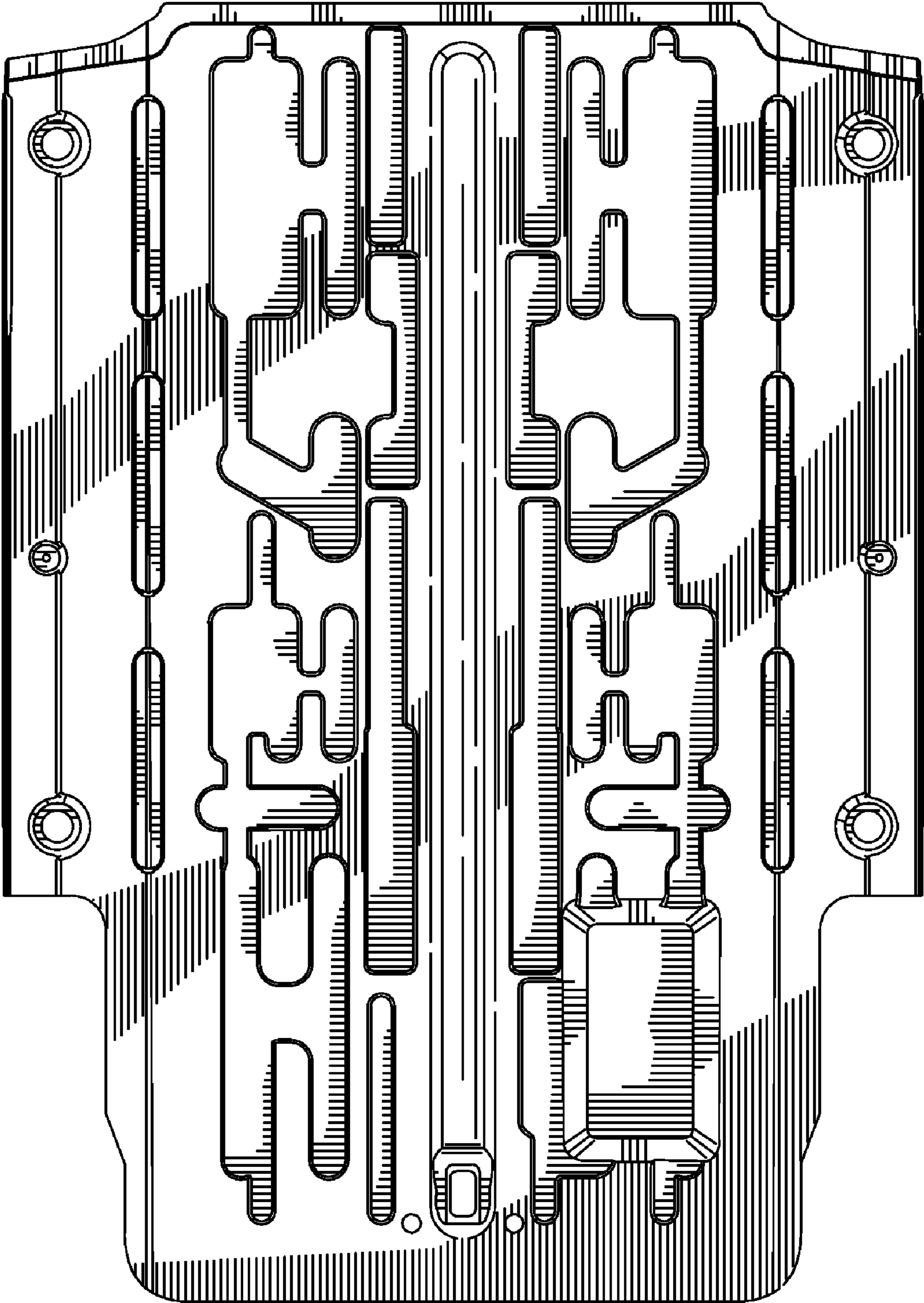
FIG. 5 is a top plan view of the car undercarriage;

FIG. 6 is a bottom plan view of the car undercarriage; and,

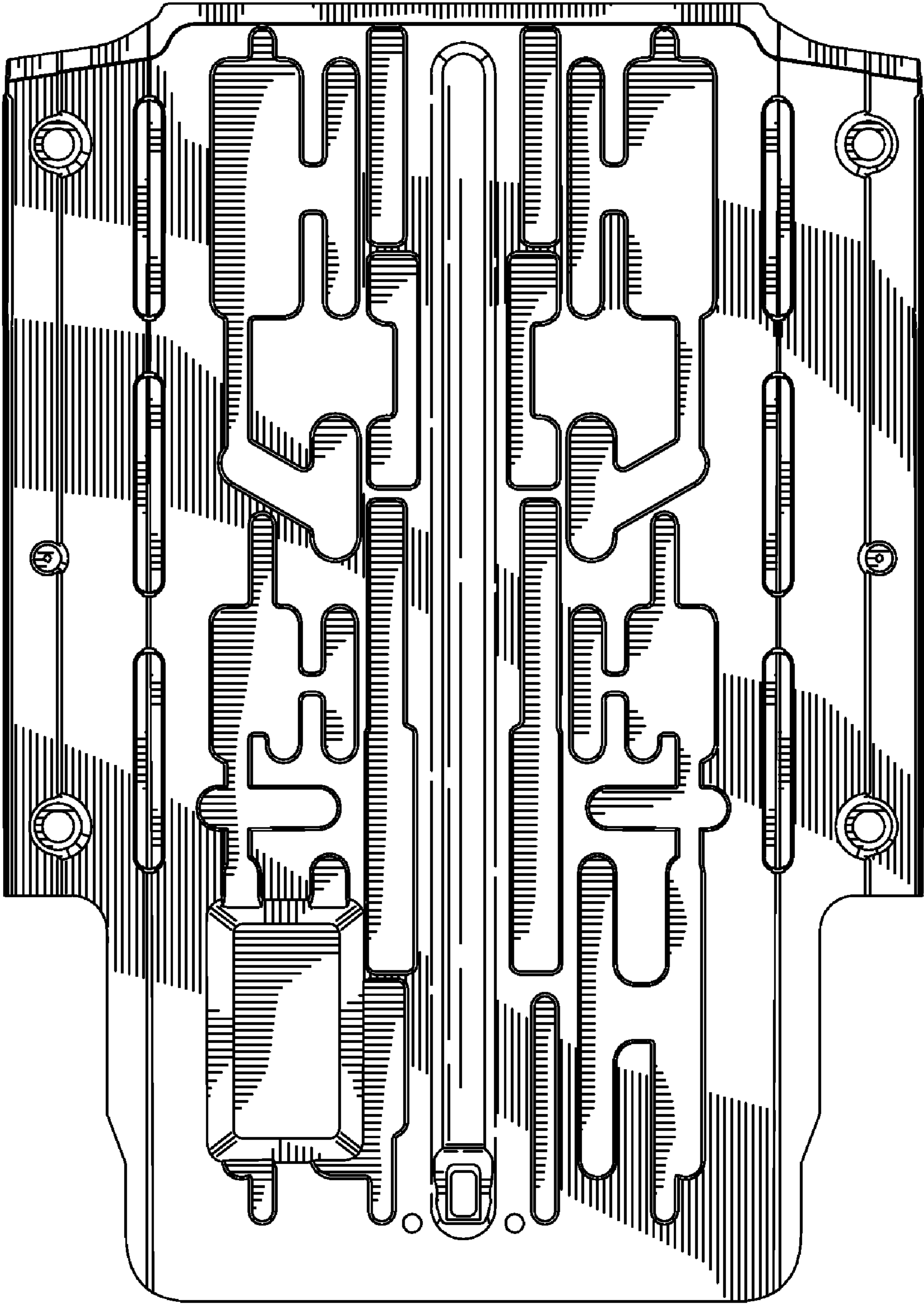
FIG. 7 is a perspective view of the car undercarriage.

**1 Claim, 5 Drawing Sheets**





**FIG. 1**



**FIG. 2**



**FIG. 3**



**FIG. 4**

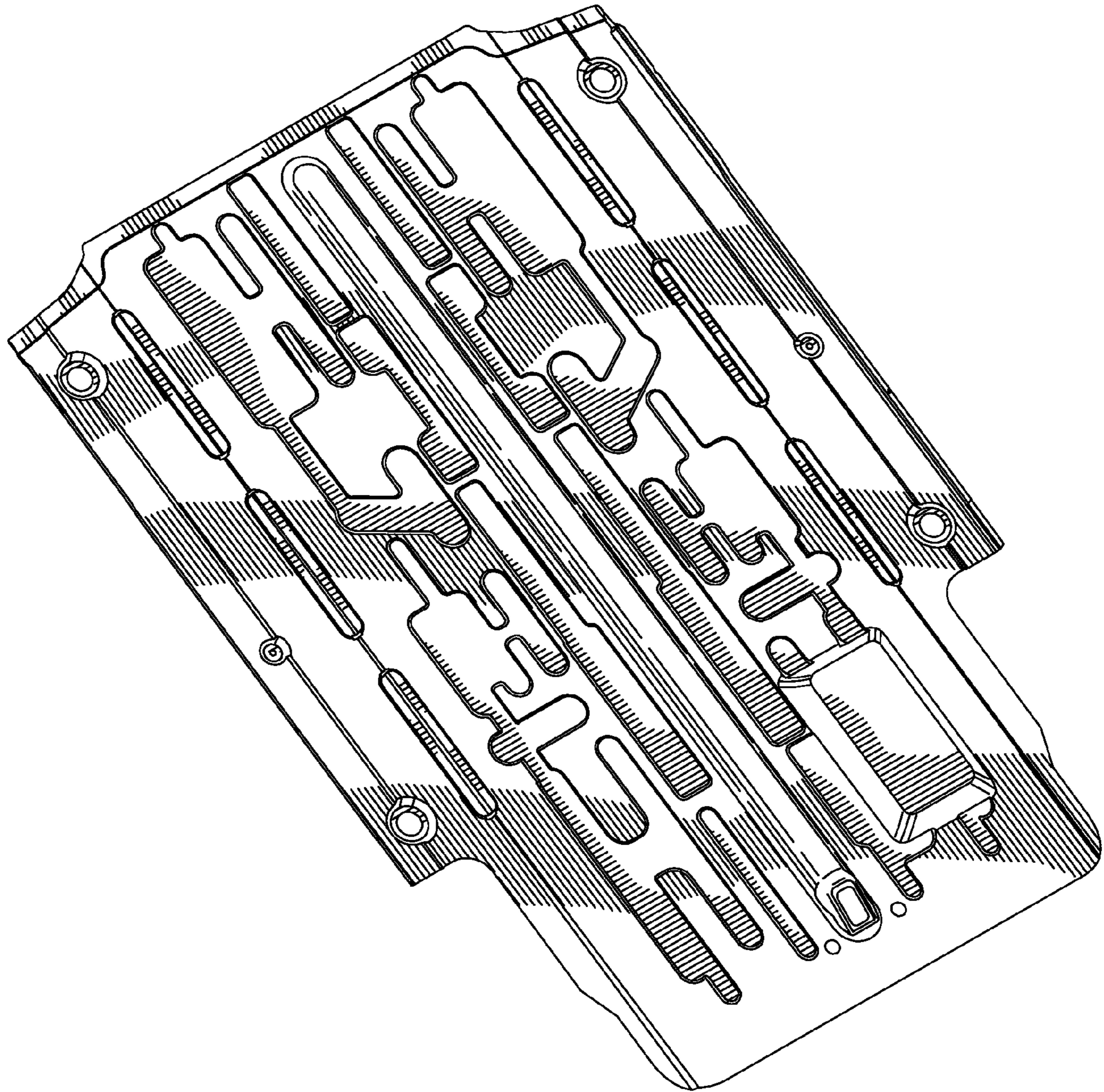


**FIG. 5**



**FIG. 6**





**FIG. 7**