



US00D601474S

(12) **United States Design Patent**
Ragsdale

(10) **Patent No.:** **US D601,474 S**

(45) **Date of Patent:** **** Oct. 6, 2009**

(54) **AIR DAM DEVICE FOR TRUCKS**

(76) **Inventor:** **Edward R. Ragsdale**, 7783 Trousdale
Ferry Pike, Lebanon, TN (US) 37090

(**) **Term:** **14 Years**

(21) **Appl. No.:** **29/332,952**

(22) **Filed:** **Feb. 27, 2009**

(51) **LOC (9) Cl.** **12-16**

(52) **U.S. Cl.** **D12/181**

(58) **Field of Classification Search** D12/181,
D12/191, 196, 400, 190, 88; 280/727, 770,
280/848; 296/180.1-180.5, 91; 180/903

See application file for complete search history.

(56) **References Cited**

U.S. PATENT DOCUMENTS

2,036,560	A	4/1936	Backus	
3,869,166	A	3/1975	Burst et al.	
4,119,339	A	10/1978	Heimbürger	
4,291,911	A	9/1981	Gallmeyer	
D275,791	S *	10/1984	Fraioli	D25/20
D280,497	S *	9/1985	Sullivan et al.	D12/181
4,585,262	A	4/1986	Parks	
D286,143	S *	10/1986	Lund	D12/181
D287,581	S	1/1987	Herpel	
4,758,037	A	7/1988	Suzuki et al.	
4,904,016	A	2/1990	Tatsumi et al.	
4,915,441	A	4/1990	Nitzke	

D366,639	S *	1/1996	Horwill	D12/181
D382,843	S *	8/1997	Drouin	D12/181
6,079,769	A	6/2000	Fannin et al.	
D544,821	S *	6/2007	Elwell	D12/191
D579,835	S *	11/2008	Vanaria	D12/184
D579,836	S *	11/2008	Vanaria	D12/184

* cited by examiner

Primary Examiner—Caron Veynar

Assistant Examiner—Katrina A Kile

(57) **CLAIM**

The ornamental design for an air dam device for trucks, as shown.

DESCRIPTION

FIG. 1 is a front view of an air dam device for trucks;

FIG. 2 is a back view thereof;

FIG. 3 is a side view thereof (opposite side is mirror image);

FIG. 4 is a top view thereof;

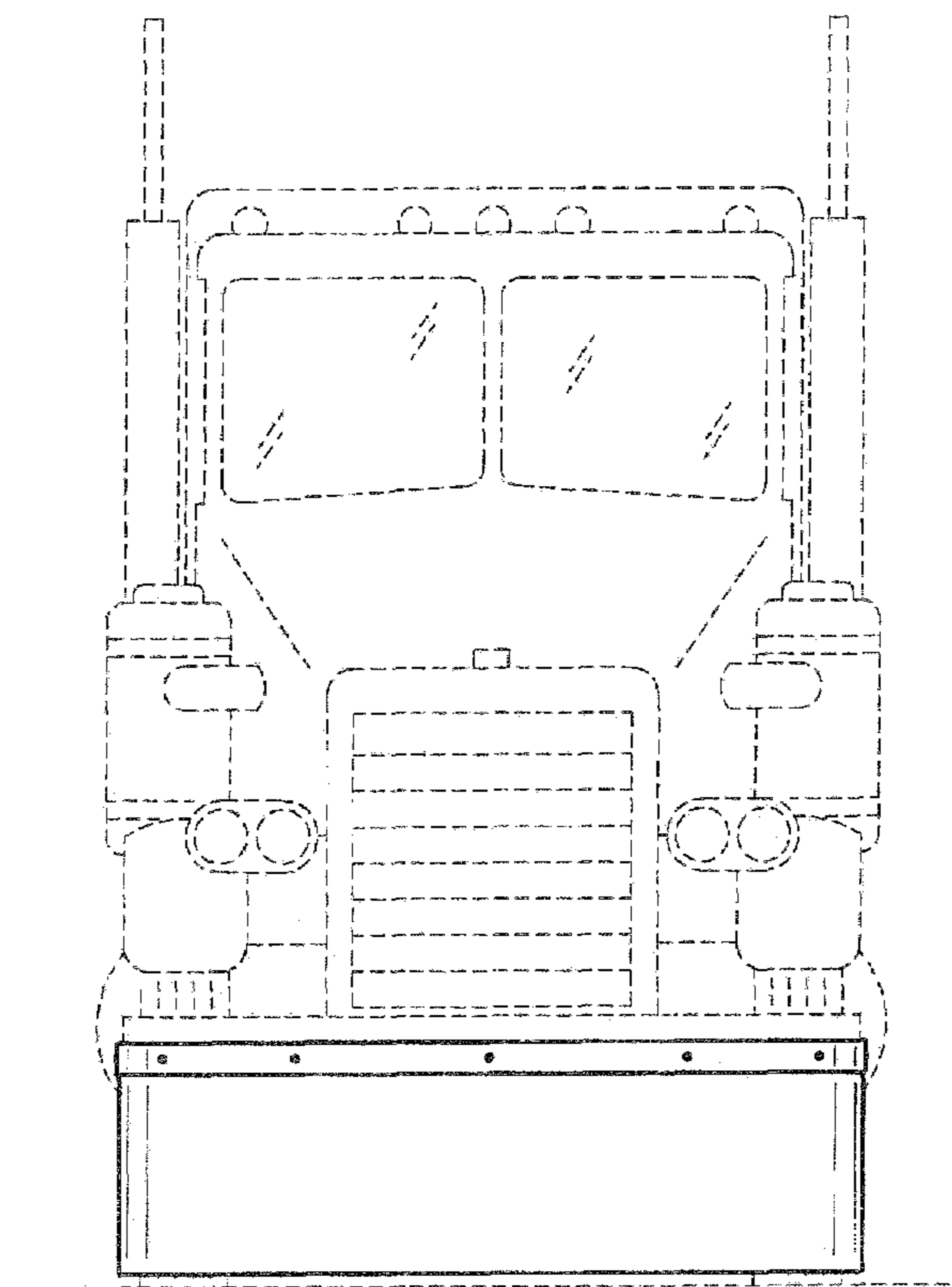
FIG. 5 is a perspective view thereof;

FIG. 6 is an exploded view thereof; and,

FIG. 7 is a front view in uses thereof.

In FIG. 7, the broken line showing of environmental structure for purposes of illustrating the rosary device in a condition of use. The broken lines and the structure they depict form no part of the claimed design.

1 Claim, 5 Drawing Sheets



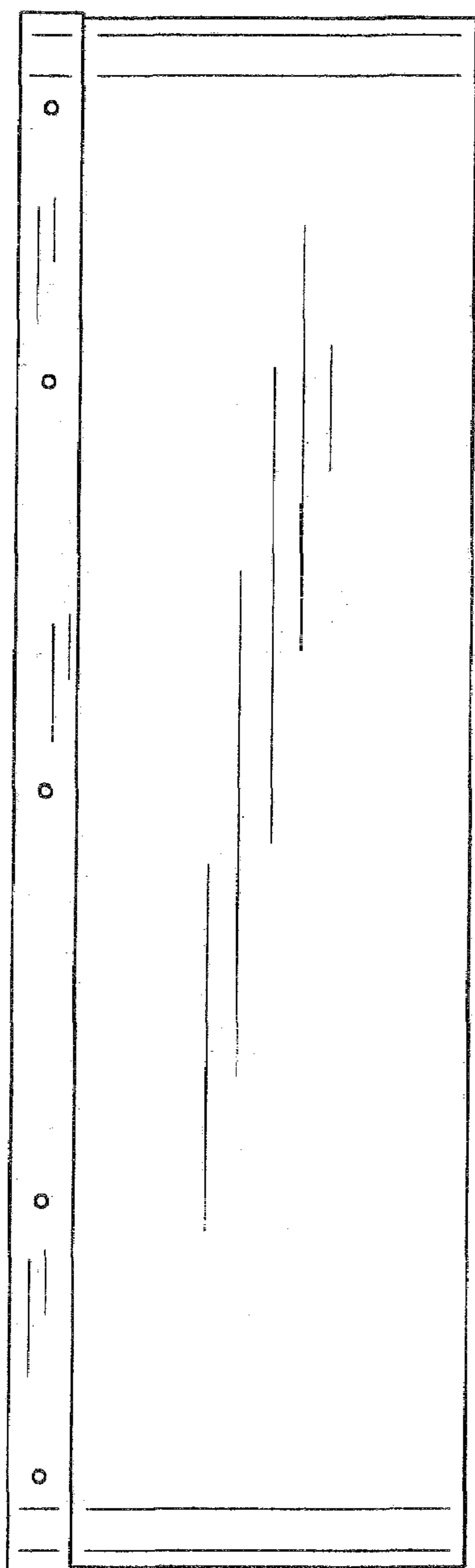


FIG. 1

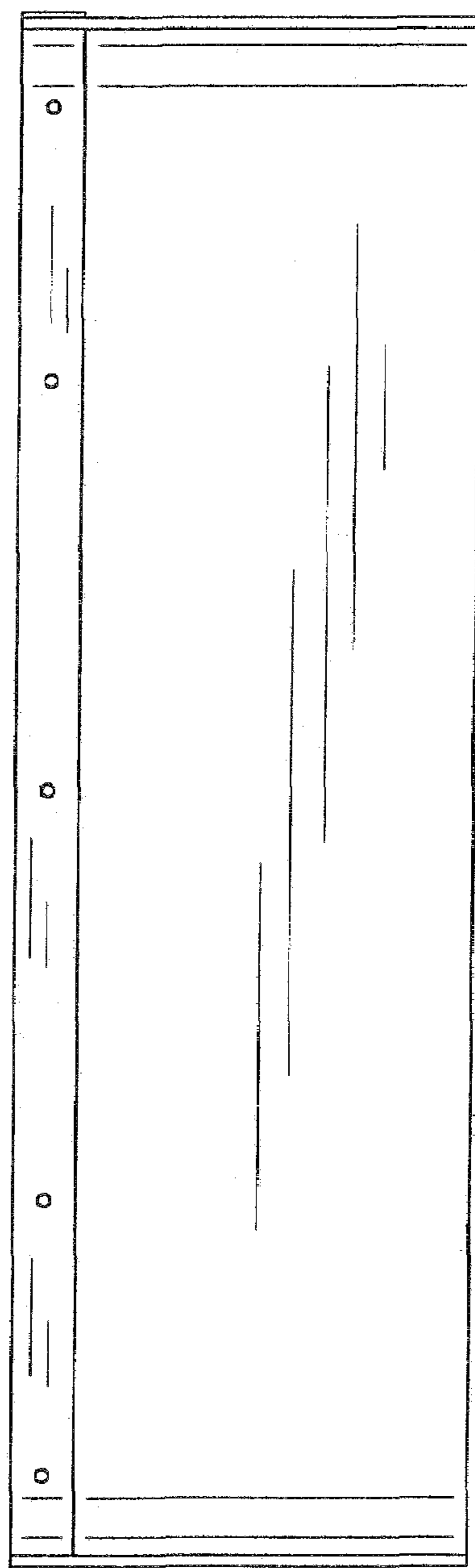


FIG. 2

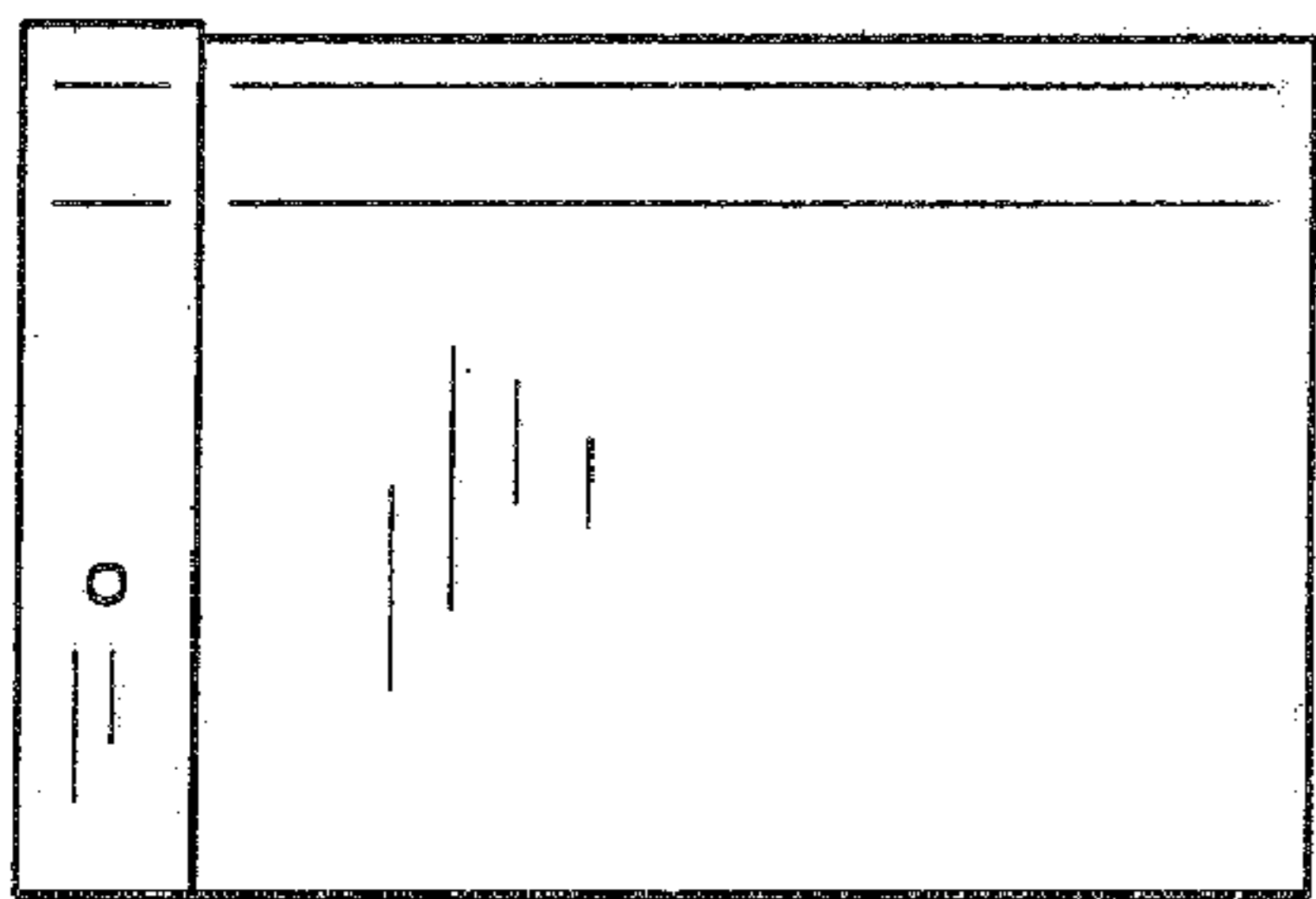


FIG. 3

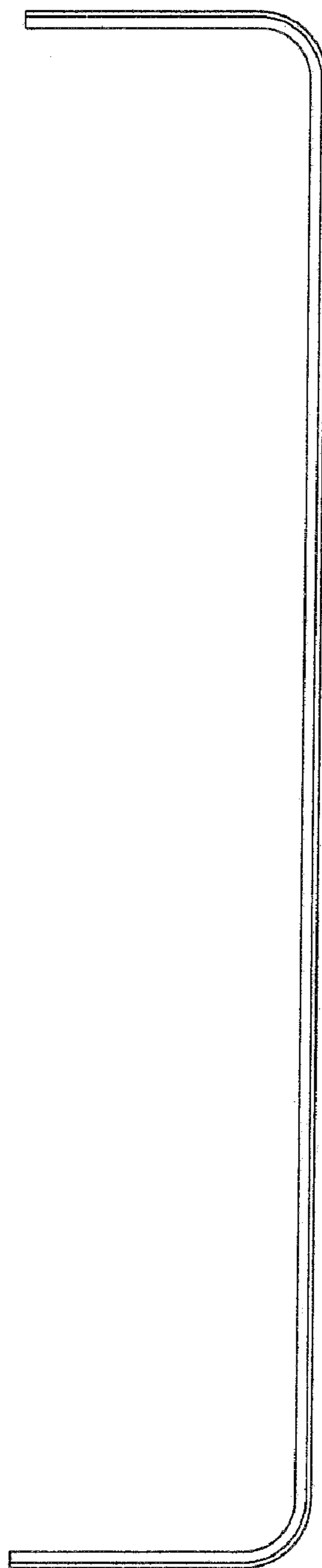


FIG. 4

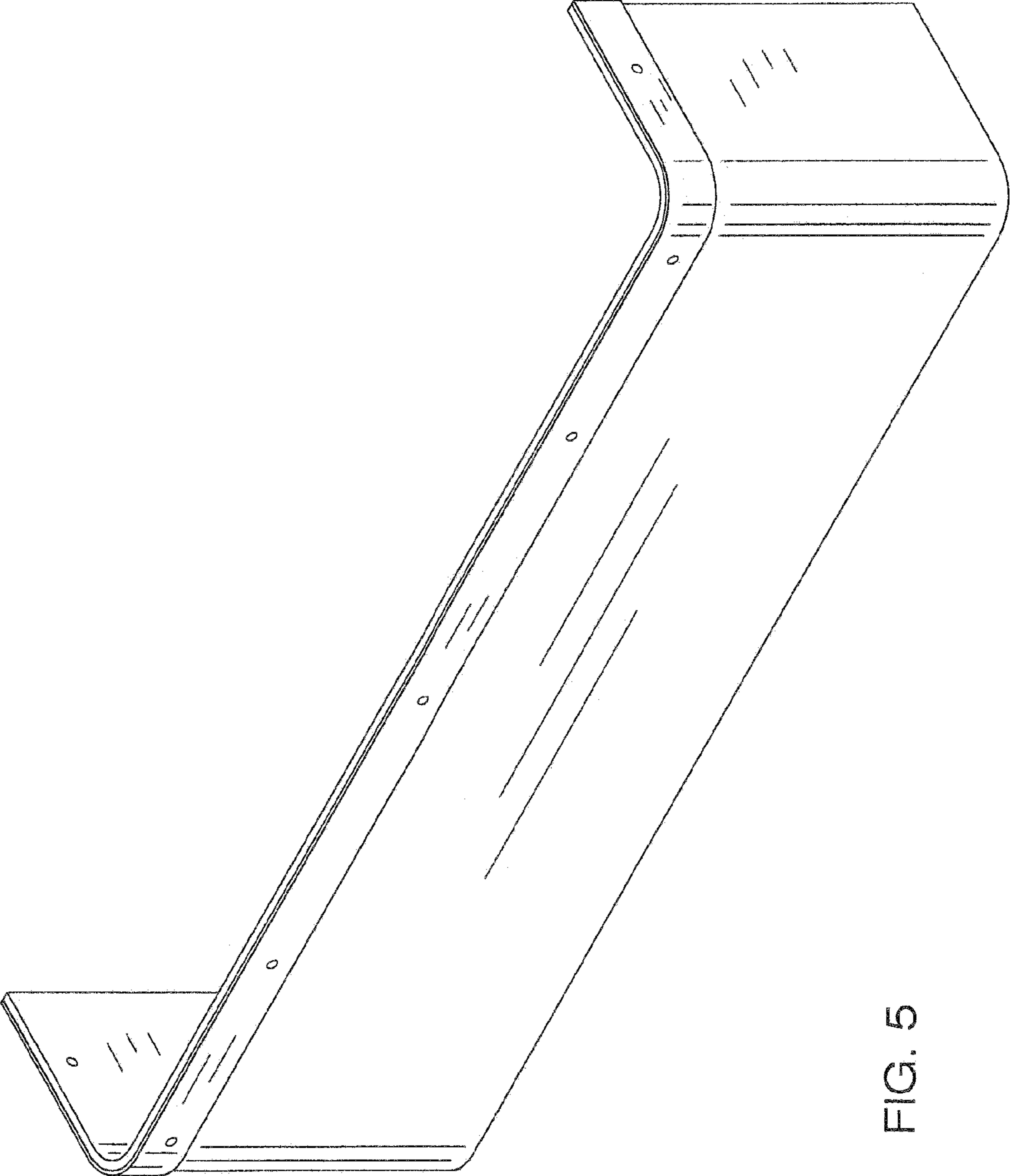


FIG. 5

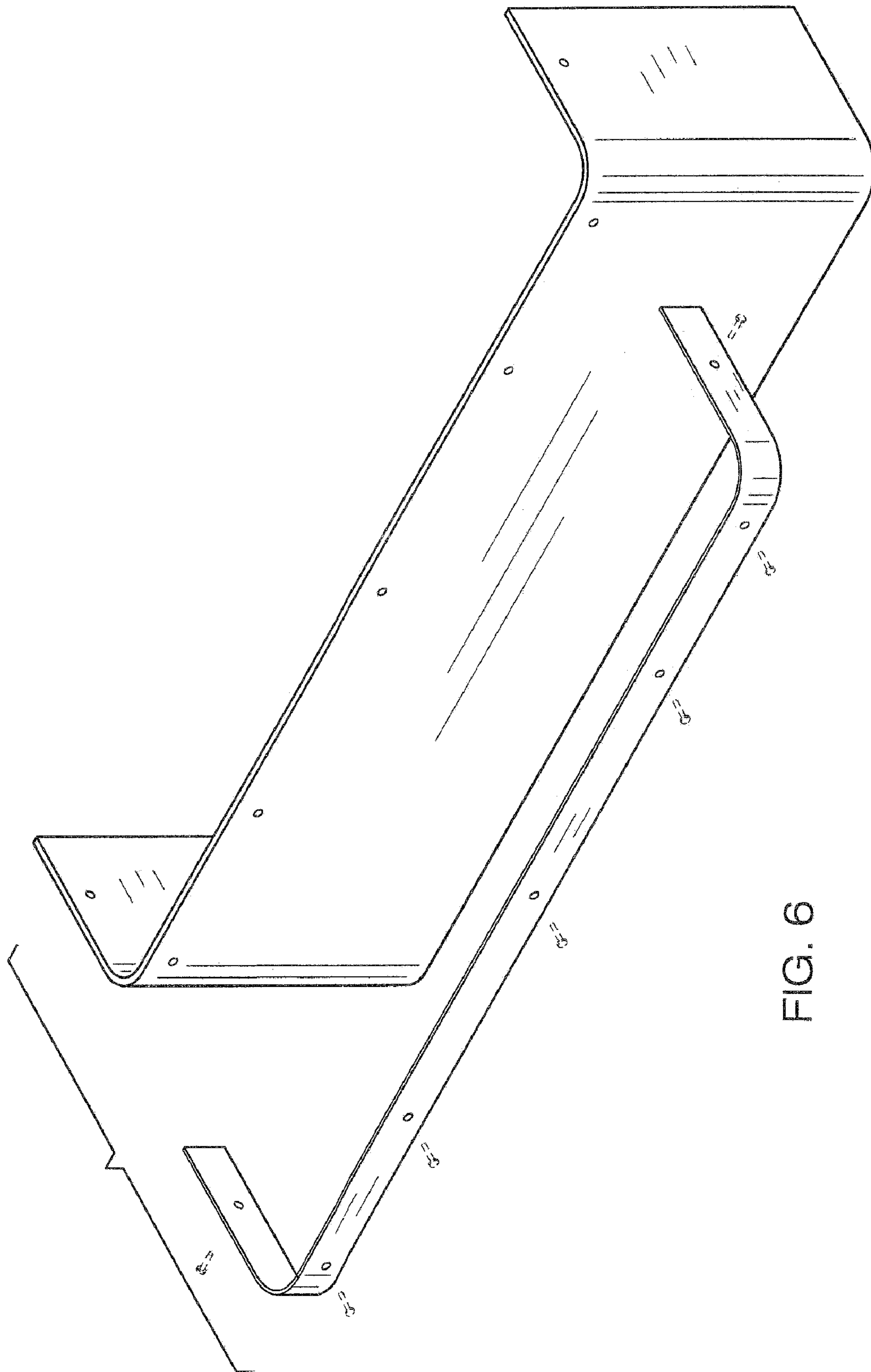


FIG. 6

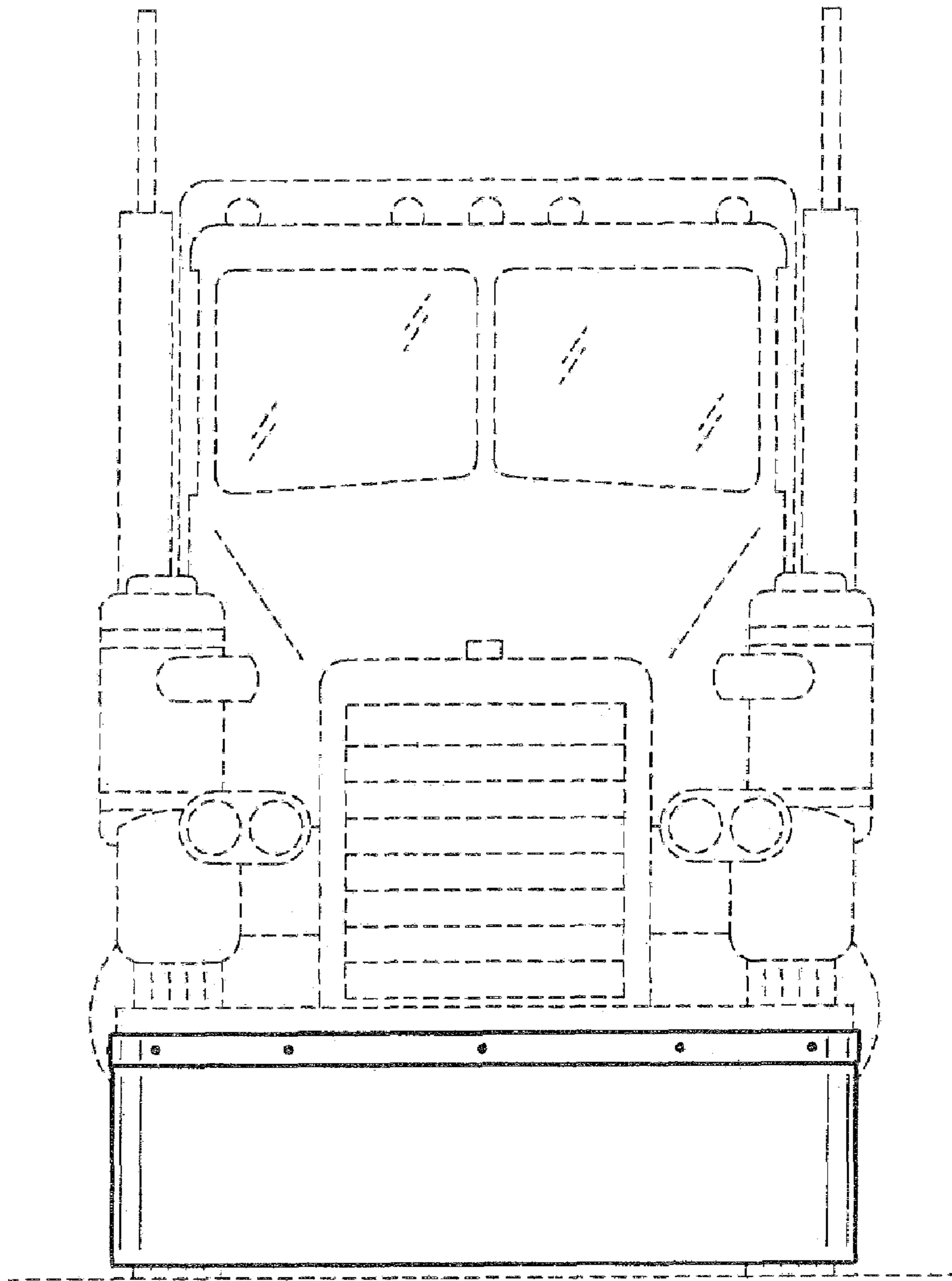


FIG. 7