



US00D601472S

(12) **United States Design Patent**
Griffin et al.

(10) **Patent No.:** **US D601,472 S**

(45) **Date of Patent:** **** Oct. 6, 2009**

(54) **MOTORCYCLE REAR FRAME AND SHIFTER ASSEMBLY**

7,467,682 B1 * 12/2008 Hahm 180/230

(76) Inventors: **Matthew Griffin**, 939 Cypress Cove Way, Tarpon Springs, FL (US) 34688;
Daniel Geberth, 15328 Black Gold Loop, Odessa, FL (US) 33556

(**) Term: **14 Years**

(21) Appl. No.: **29/332,249**

(22) Filed: **Feb. 11, 2009**

(51) **LOC (9) Cl.** **12-16**

(52) **U.S. Cl.** **D12/179**

(58) **Field of Classification Search** D12/110,
D12/114, 122, 125, 126, 179, 180, 117, 222;
74/478, 478.5, 474, 473.16, 473.17, 473.2,
74/512, 562, 564; 180/219, 291-294, 230,
180/336; 280/291, 293, 288.4, 304.3, 298,
280/755, 848; 192/3.54, 3.61, 48.1, 48.3,
192/48.7, 99 A, 99 B, 99 R, 99 S; 188/73.1,
188/344; 296/75

See application file for complete search history.

(56) **References Cited**

U.S. PATENT DOCUMENTS

D478,849 S	8/2003	Griffin et al.	
6,786,312 B1 *	9/2004	Osborne	192/13 R
6,945,376 B1 *	9/2005	Hunter	192/99 S
6,969,082 B2	11/2005	Griffin et al.	
7,040,442 B2 *	5/2006	McWhorter	180/219
D537,022 S *	2/2007	Sands	D12/179
D539,198 S *	3/2007	Sands	D12/179
7,264,255 B1 *	9/2007	Winfrey	180/219
D565,486 S *	4/2008	James	D12/179

OTHER PUBLICATIONS

Custom Chrome® Chrome Specialties® 2003 catalog, Forward Control Kits by Billet Concepts, Legends, and Pro-One™ on p. 3.04 (in examiners office).*

Drag Specialties 2003 catalog, Billet Aluminum Forward Controls on p. 785 (in examiners office).*

* cited by examiner

Primary Examiner—Cathron C Brooks

Assistant Examiner—Linda G. Brooks

(74) *Attorney, Agent, or Firm*—Larson & Larson, P.A.; Frank Liebenow

(57) **CLAIM**

We claim the ornamental design for a motorcycle rear frame and shifter assembly, as shown and described.

DESCRIPTION

FIG. 1 is a front elevation view of the motorcycle rear frame and shifter assembly showing our novel design;

FIG. 2 is a rear elevation view thereof;

FIG. 3 is a right side view thereof;

FIG. 4 is a left side view thereof;

FIG. 5 is a top plan view thereof;

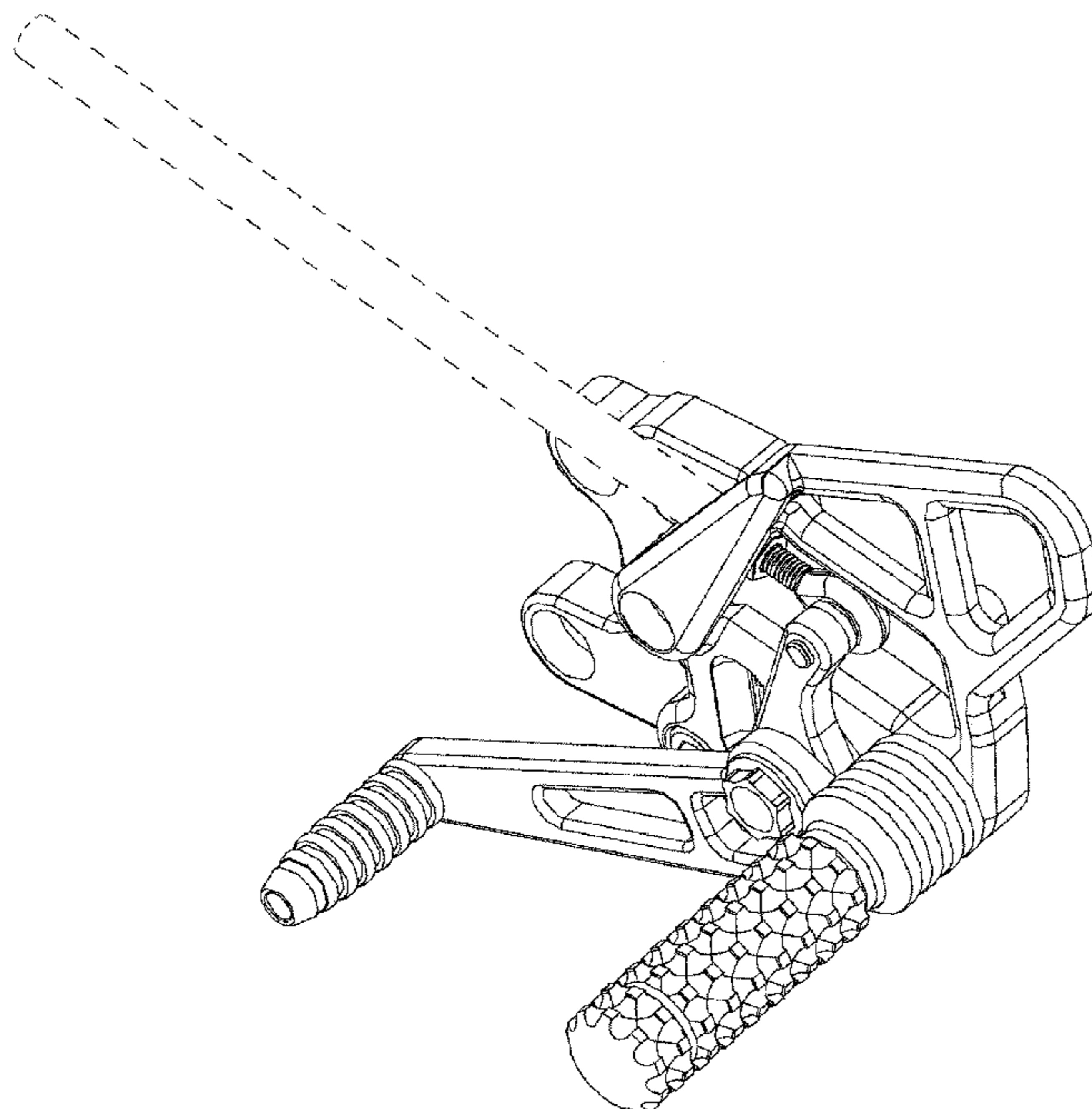
FIG. 6 is a bottom plan view thereof;

FIG. 7 is a first perspective view thereof; and,

FIG. 8 is a second perspective view thereof.

The broken lines showing environmental structure form no part of the claimed design.

1 Claim, 8 Drawing Sheets



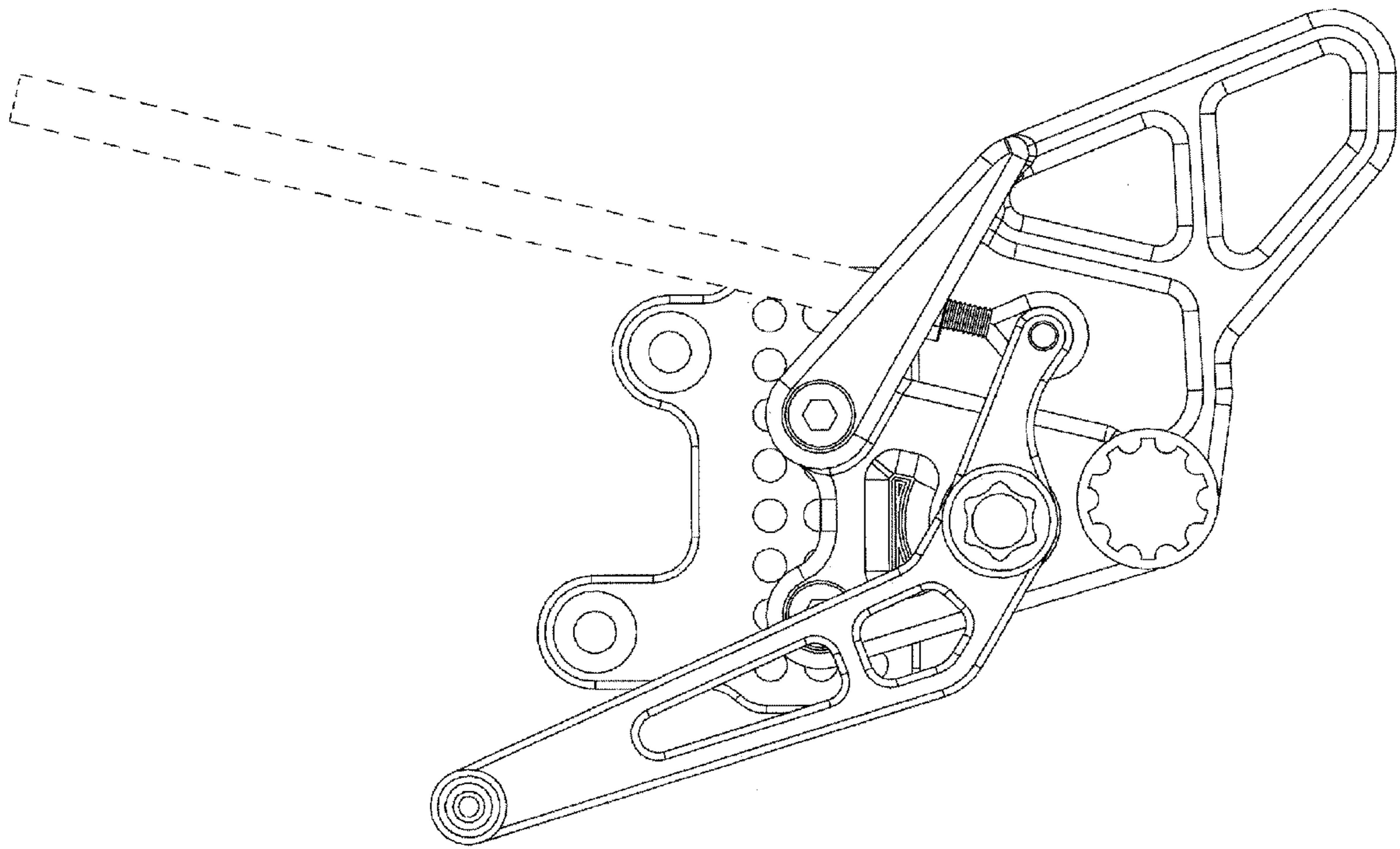


FIG. 1

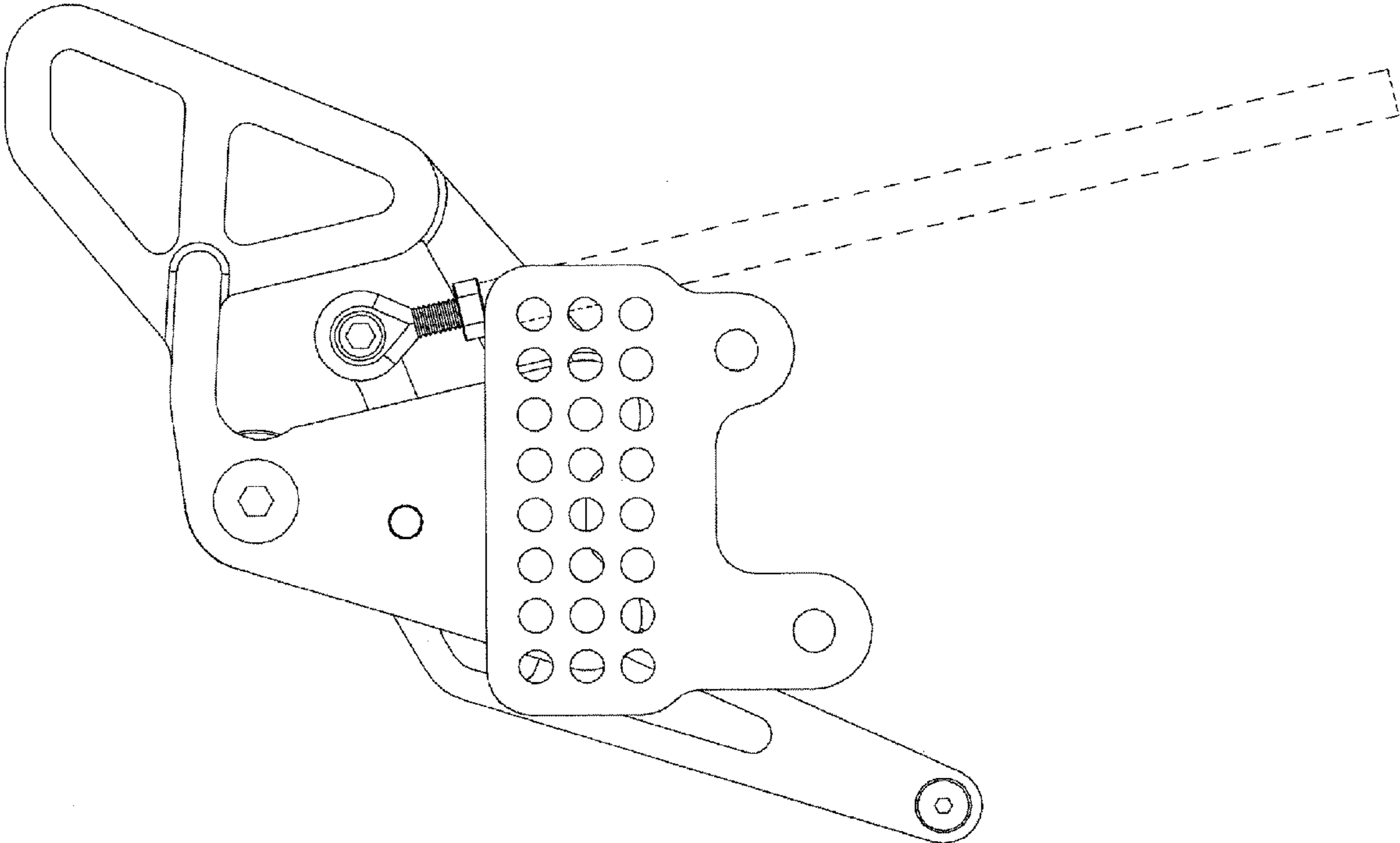


FIG. 2

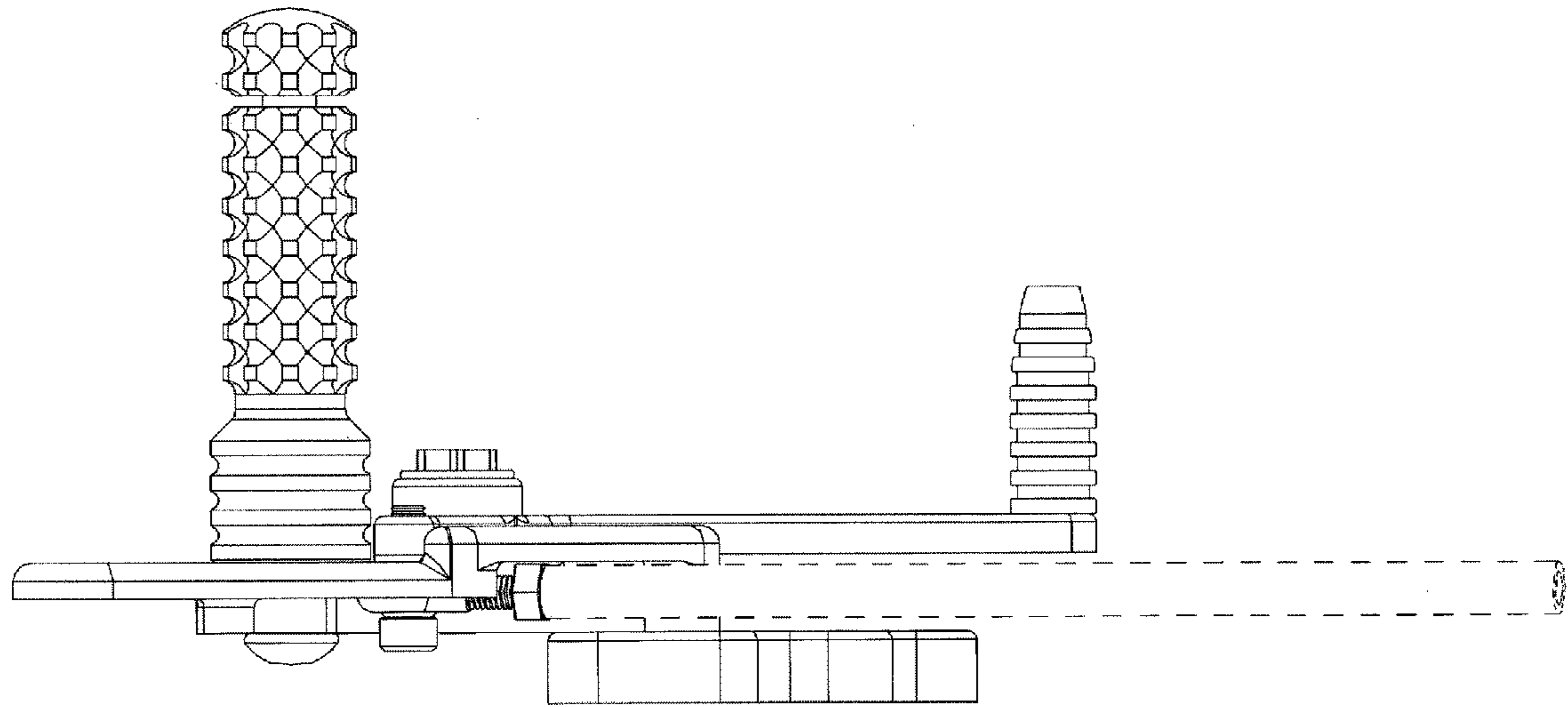


FIG. 3

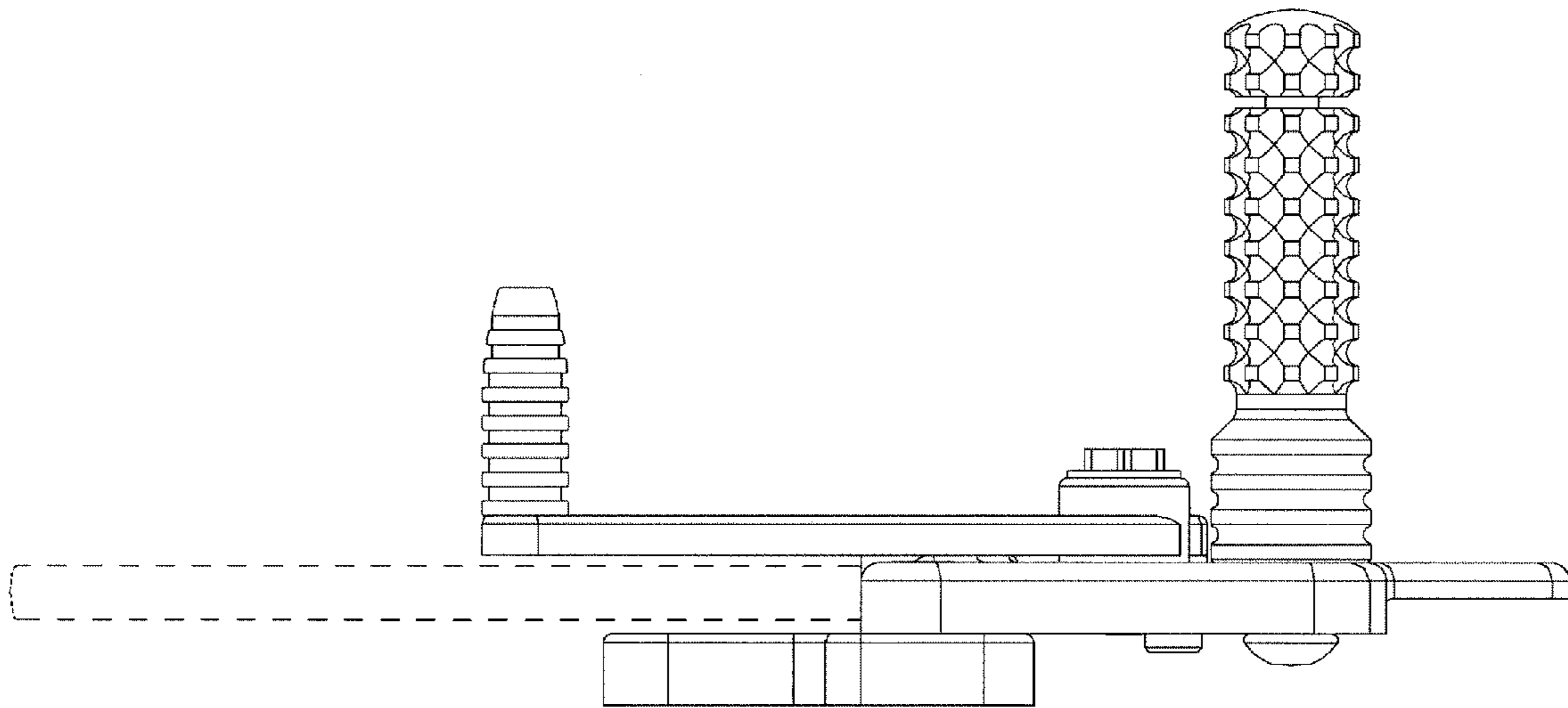


FIG. 4

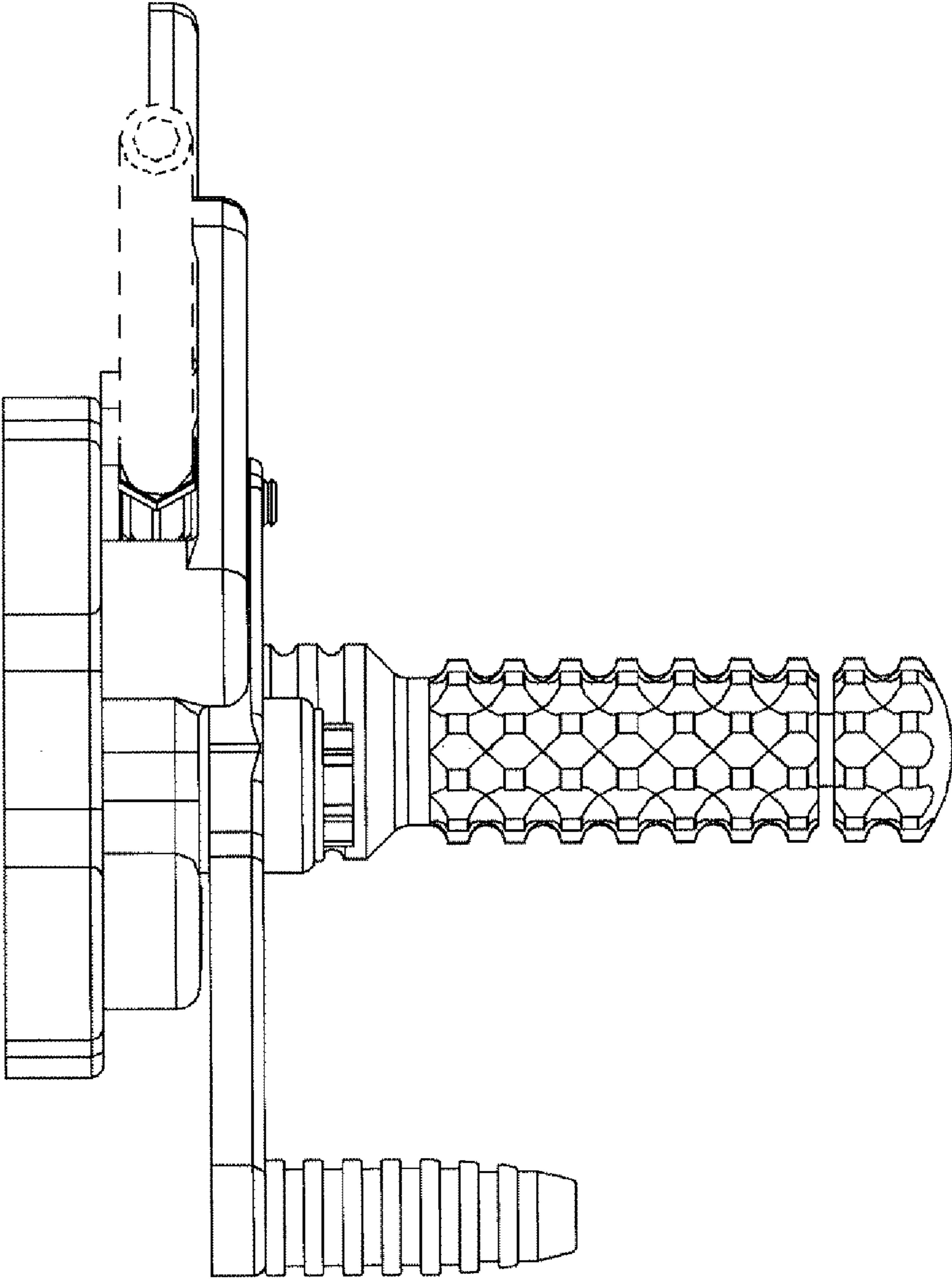


FIG. 5

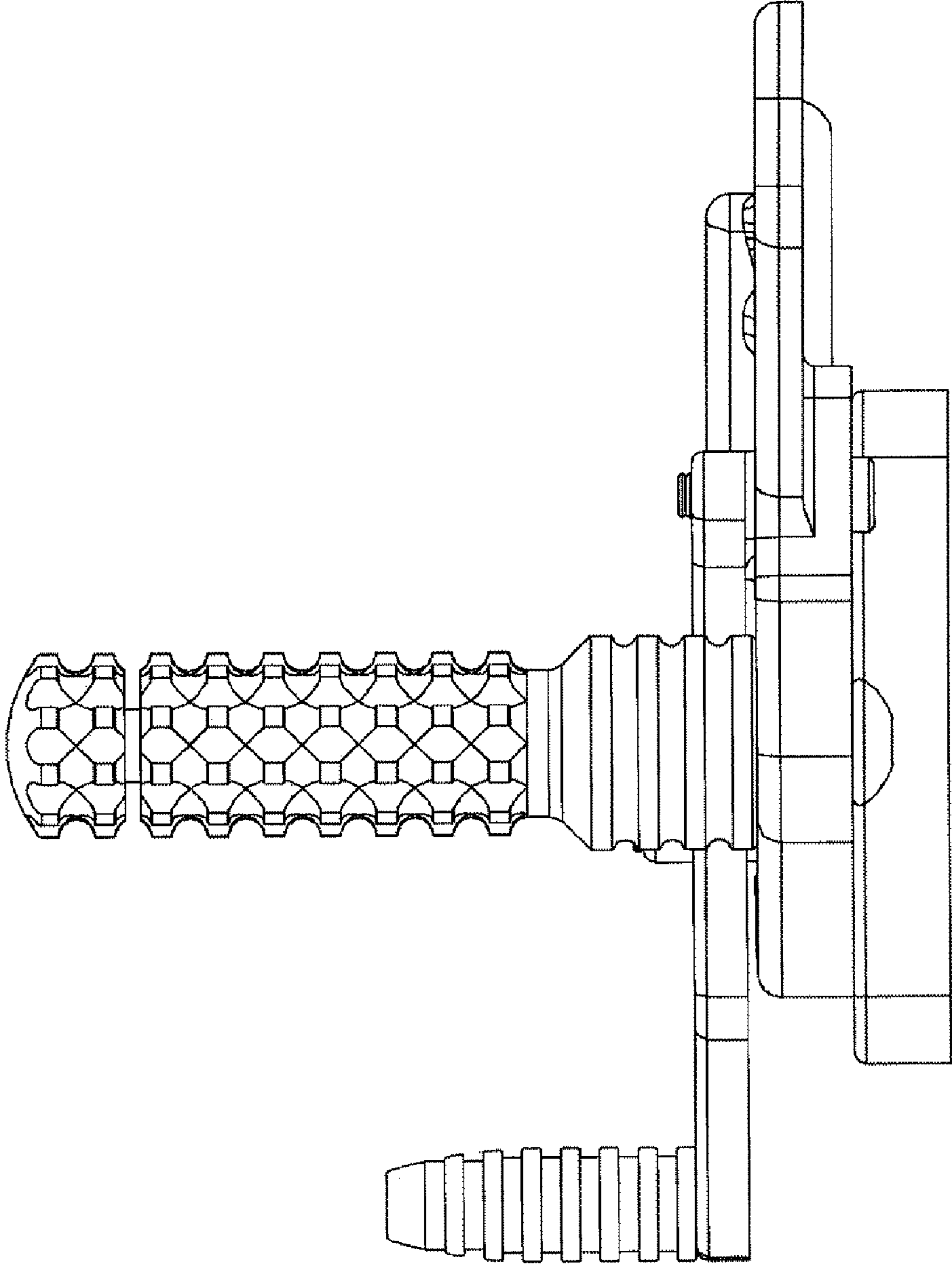


FIG. 6

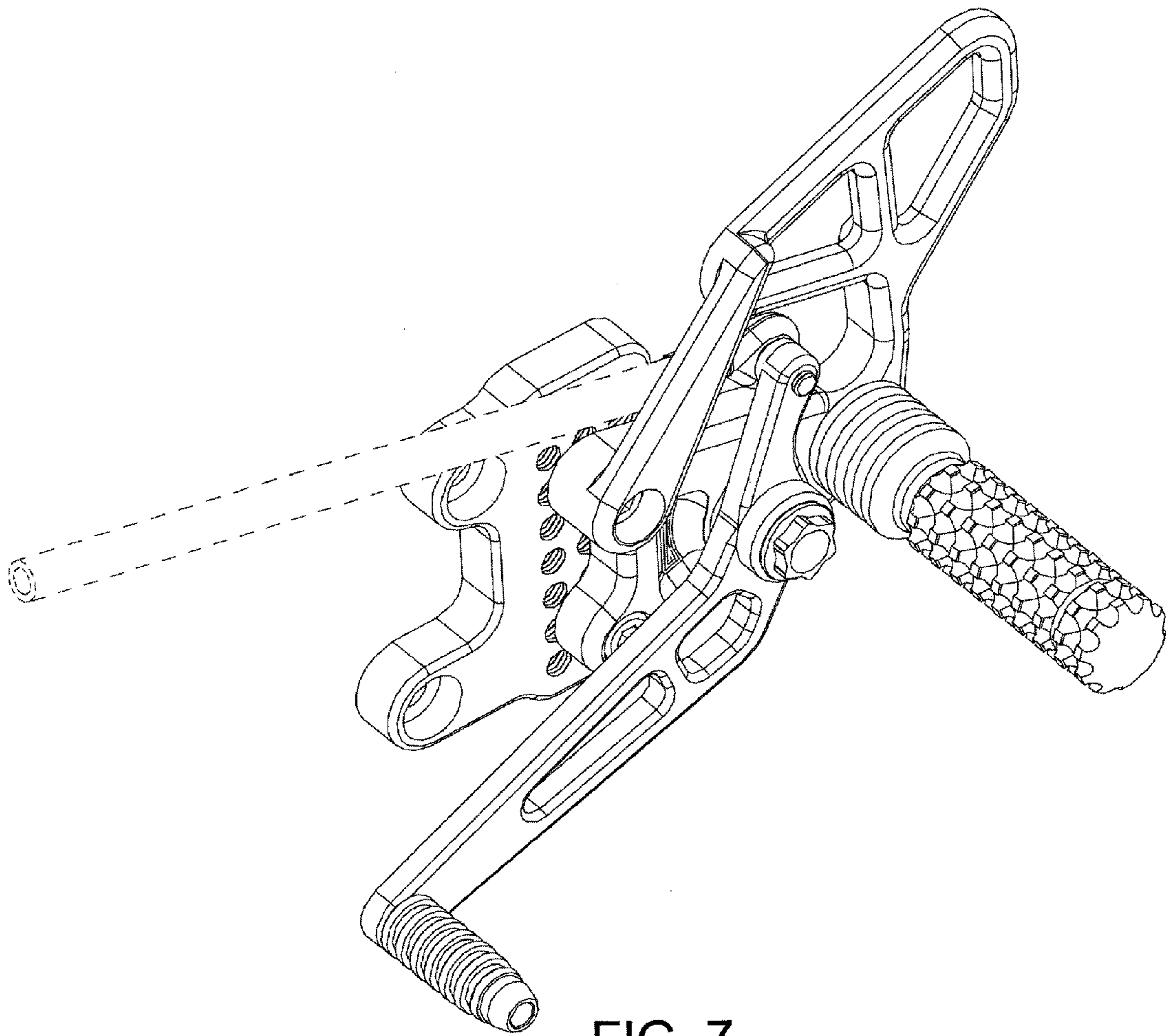


FIG. 7

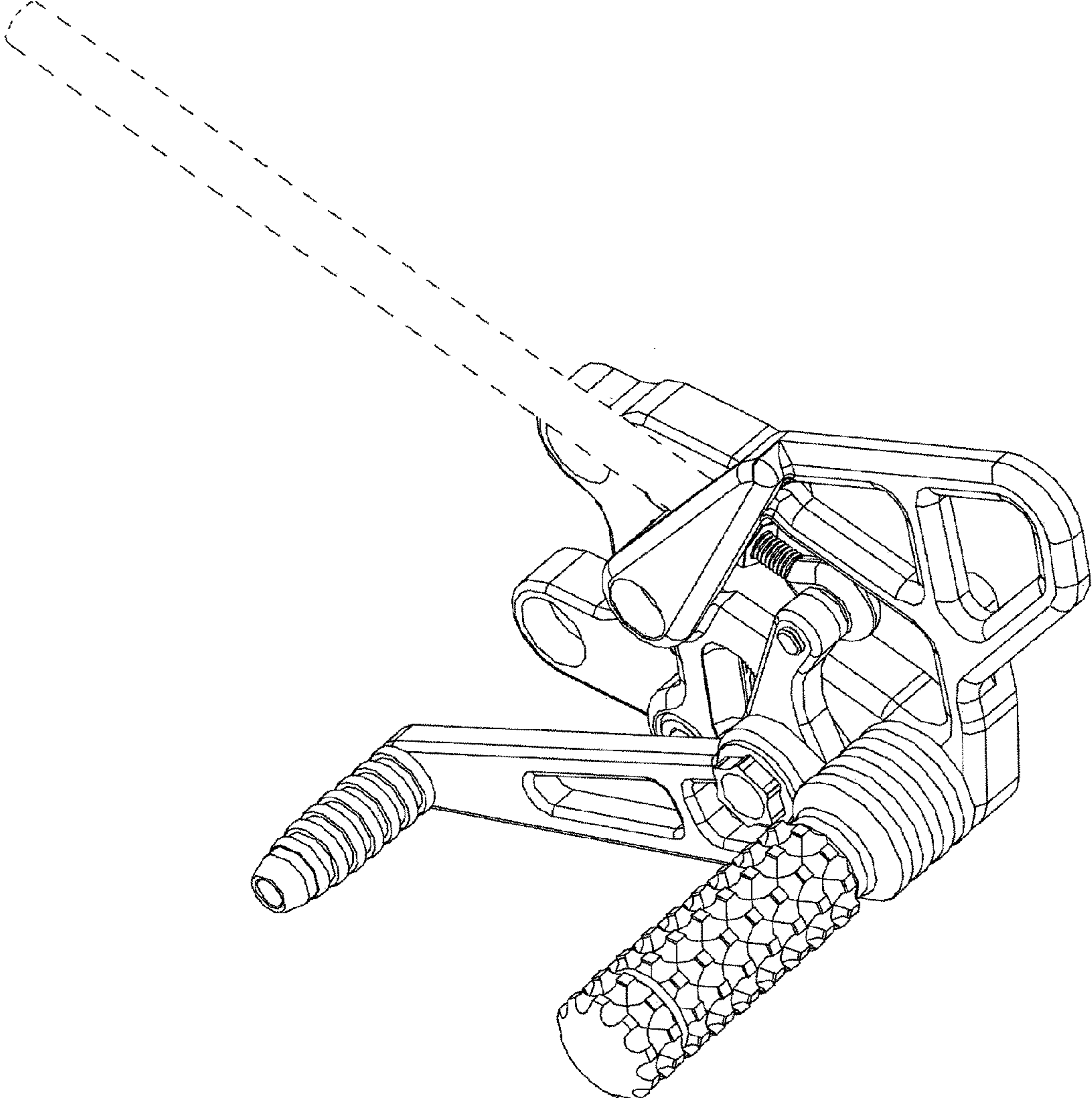


FIG. 8