

US00D601471S

(12) **United States Design Patent**  
**Griffin et al.**

(10) **Patent No.:** **US D601,471 S**  
(45) **Date of Patent:** **\*\* Oct. 6, 2009**

(54) **MOTORCYCLE REAR FRAME AND BRAKE ASSEMBLY**

7,264,255 B1 \* 9/2007 Winfrey ..... 180/219  
D565,486 S \* 4/2008 James ..... D12/179  
7,467,682 B1 \* 12/2008 Hahm ..... 180/230

(76) Inventors: **Matthew Griffin**, 939 Cypress Cove Way, Tarpon Springs, FL (US) 34688;  
**Daniel Geberth**, 15328 Black Gold Loop, Odessa, FL (US) 33556

**OTHER PUBLICATIONS**

Custom Chrome® Chrome Specialties® 2003 catalog, Forward Control Kits by Billet Concepts, Legends, and Pro-One™ on p. 3.04.\*  
Drag Specialties 2003 catalog, Billet Aluminum Forward Controls on p. 785.\*

(\*\*) Term: **14 Years**

\* cited by examiner

(21) Appl. No.: **29/332,246**

*Primary Examiner*—Cathron C Brooks

(22) Filed: **Feb. 11, 2009**

*Assistant Examiner*—Linda G. Brooks

(51) **LOC (9) Cl.** ..... **12-16**

(74) *Attorney, Agent, or Firm*—Larson & Larson, P.A.; Frank Liebenow

(52) **U.S. Cl.** ..... **D12/179**

(58) **Field of Classification Search** ..... D12/110,  
D12/114, 122, 125, 126, 179, 180, 117, 222;  
74/478, 478.5, 474, 473.16, 473.17, 473.2,  
74/512, 562, 564; 180/219, 291–294, 230,  
180/336; 280/291, 293, 288.4, 304.3, 298,  
280/755, 848; 192/3.54, 3.61, 48.1, 48.3,  
192/48.7, 99 A, 99 B, 99 R, 99 S; 188/73.1,  
188/344; 296/75

(57) **CLAIM**

See application file for complete search history.

We claim the ornamental design for a motorcycle rear frame and brake assembly, as shown and described.

(56) **References Cited**

**DESCRIPTION**

**U.S. PATENT DOCUMENTS**

D478,849 S 8/2003 Griffin et al.  
6,786,312 B1 \* 9/2004 Osborne ..... 192/13 R  
6,945,376 B1 \* 9/2005 Hunter ..... 192/99 S  
6,969,082 B2 11/2005 Griffin et al.  
7,040,442 B2 \* 5/2006 McWhorter ..... 180/219  
D537,022 S \* 2/2007 Sands ..... D12/179  
D539,198 S \* 3/2007 Sands ..... D12/179

FIG. 1 is a front elevation view of the motorcycle rear frame and brake assembly showing our novel design;

FIG. 2 is a rear elevation view thereof;

FIG. 3 is a right side view thereof;

FIG. 4 is a left side view thereof;

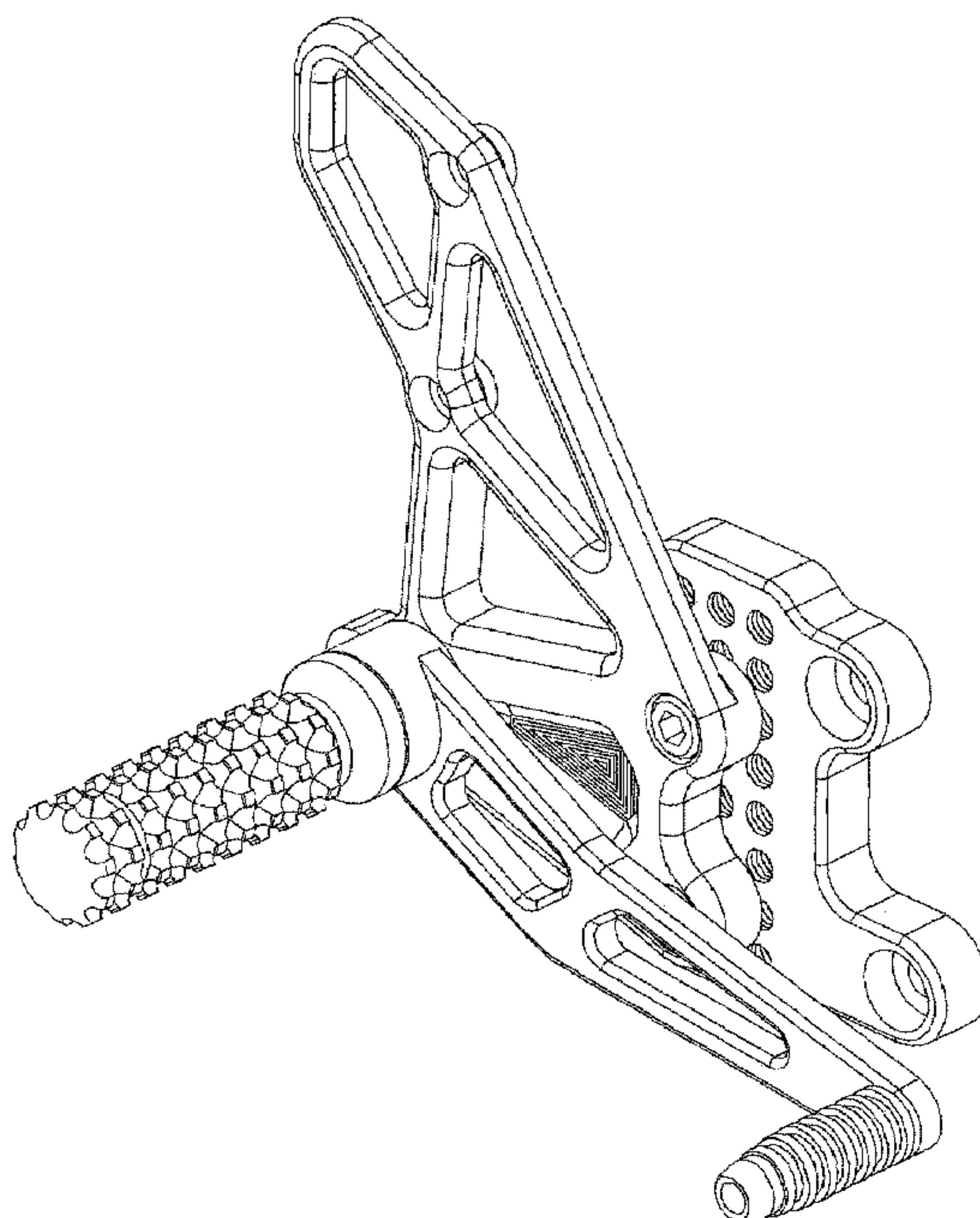
FIG. 5 is a top plan view thereof;

FIG. 6 is a bottom plan view thereof;

FIG. 7 is a first perspective view thereof; and,

FIG. 8 is a second perspective view thereof.

**1 Claim, 8 Drawing Sheets**



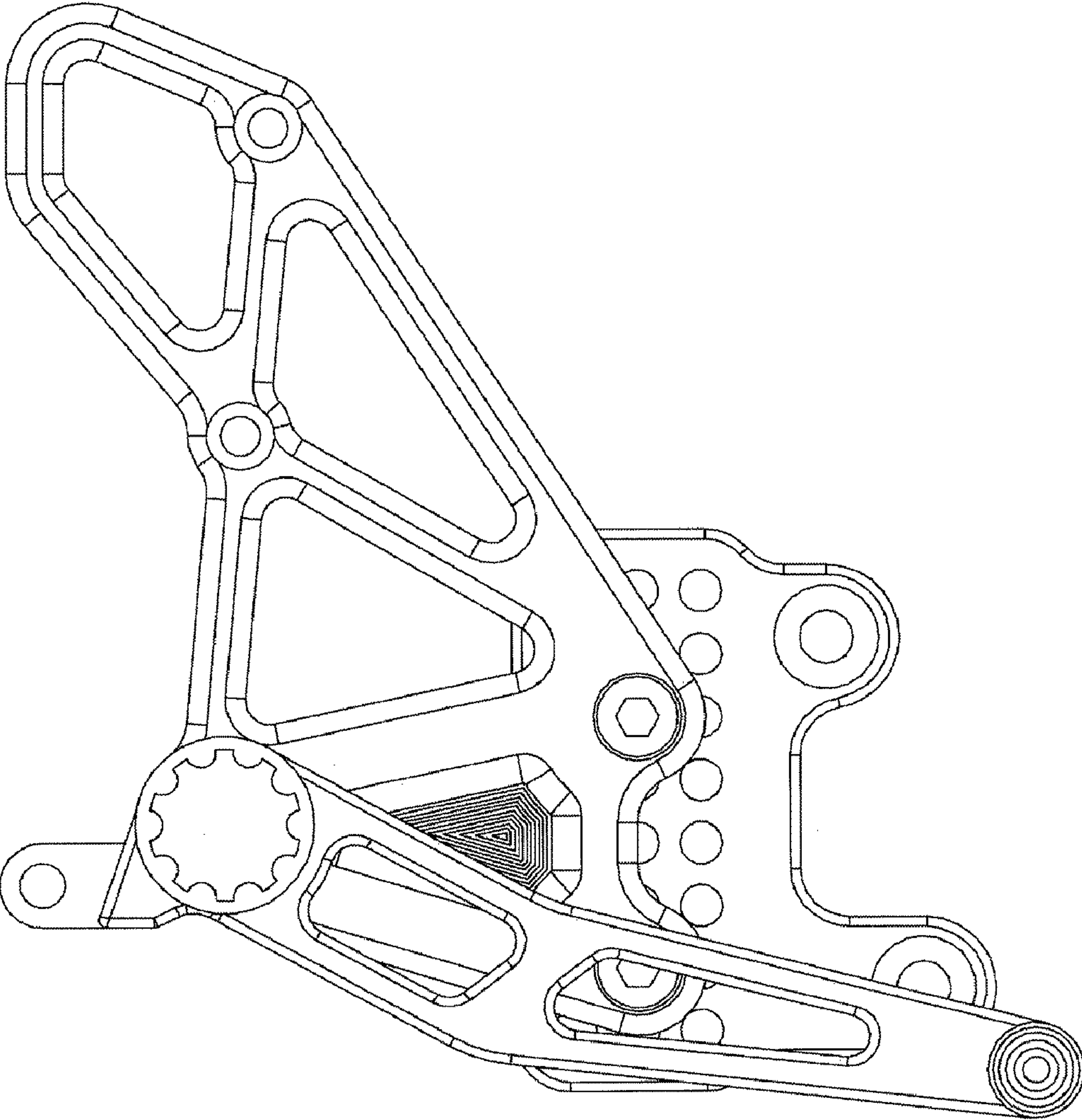


FIG. 1

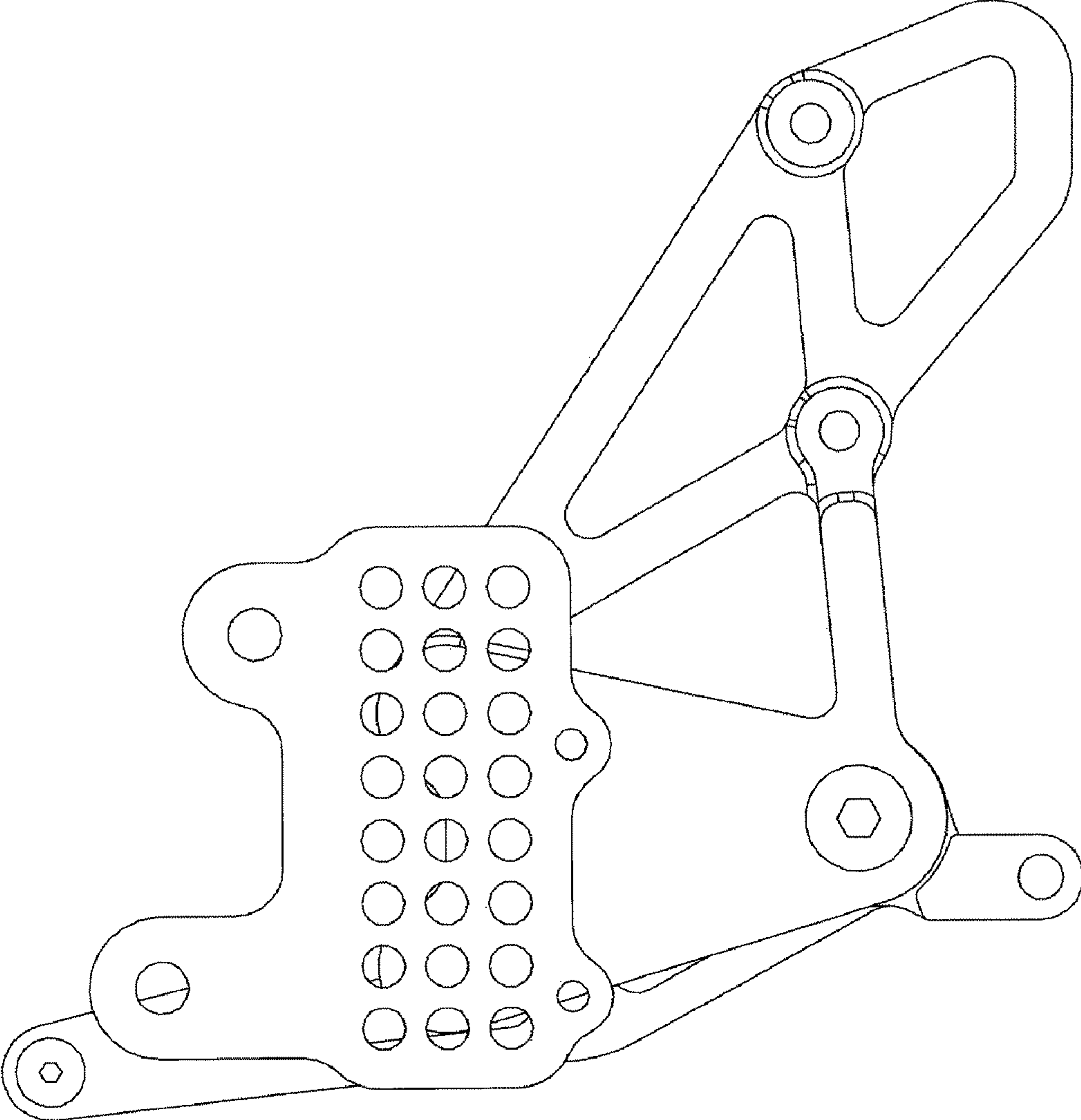


FIG. 2

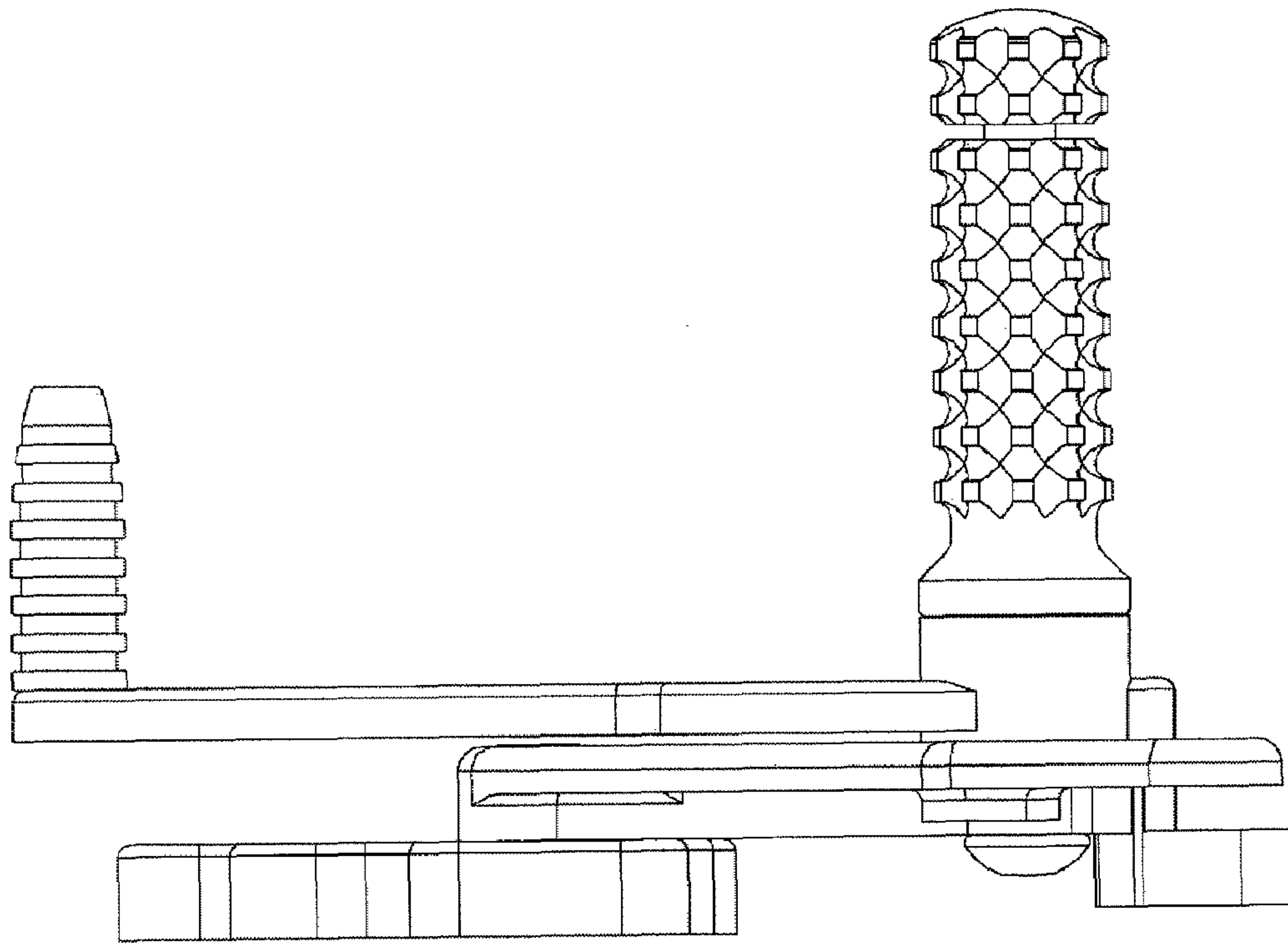


FIG. 3

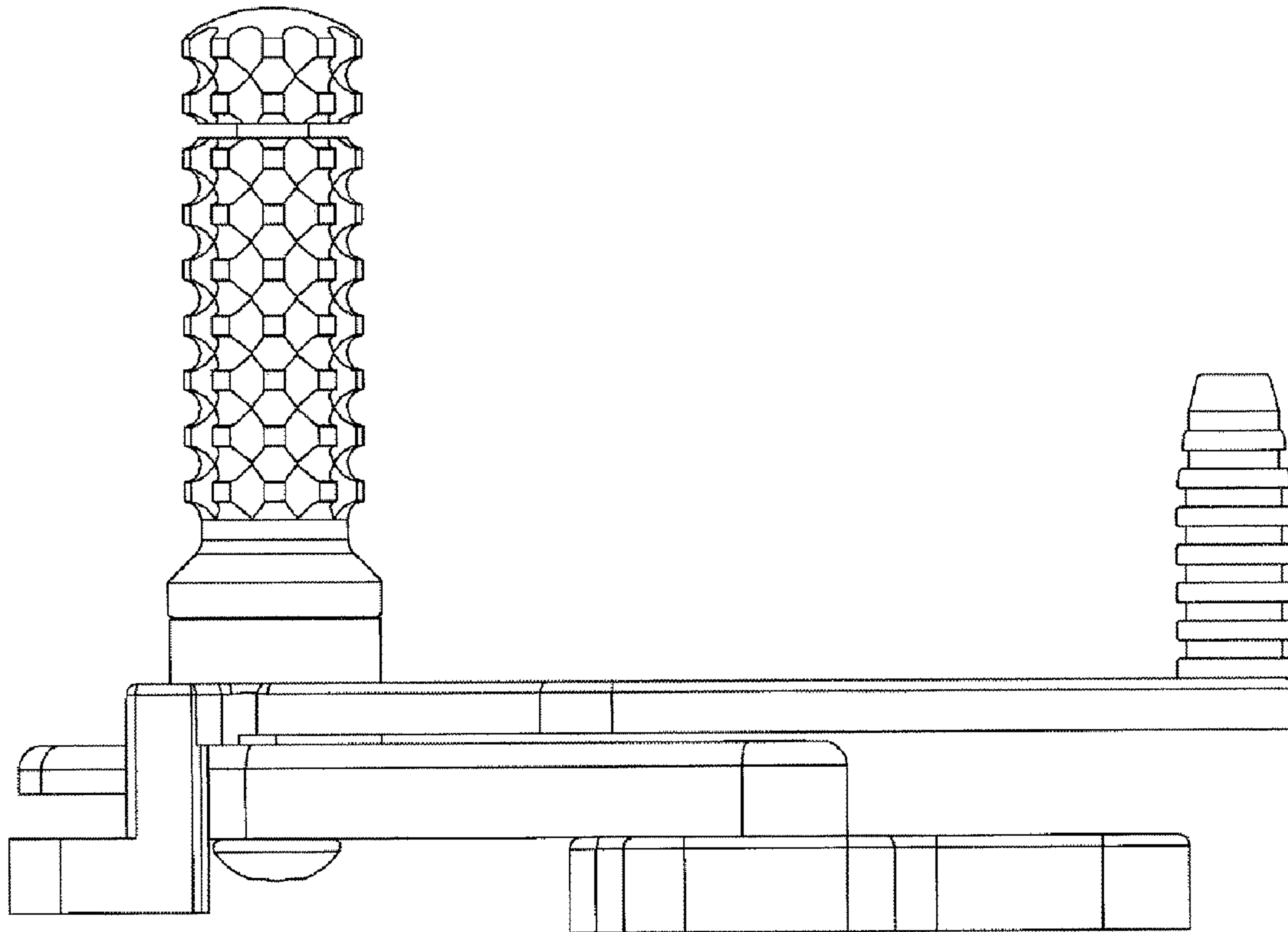


FIG. 4



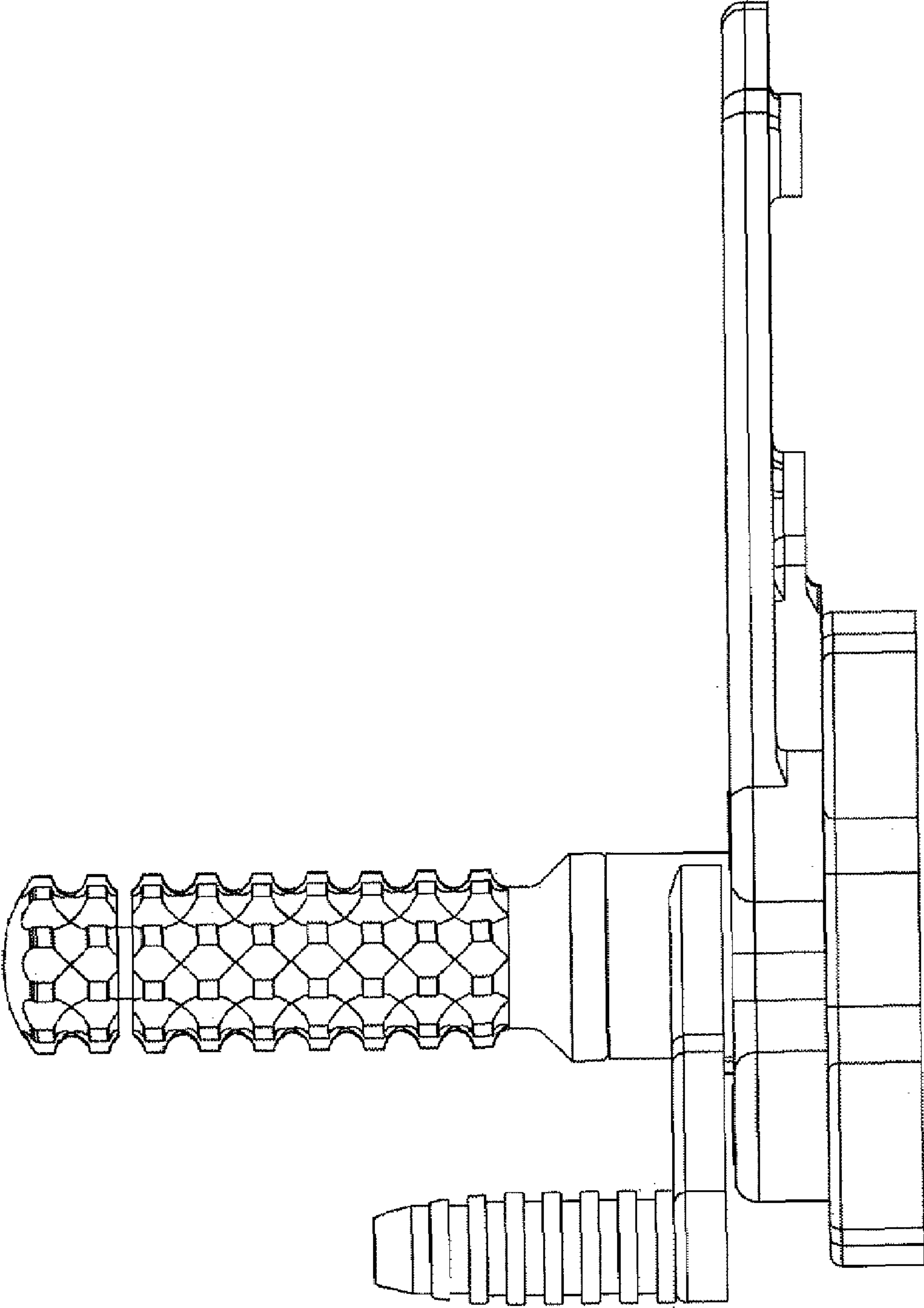


FIG. 5

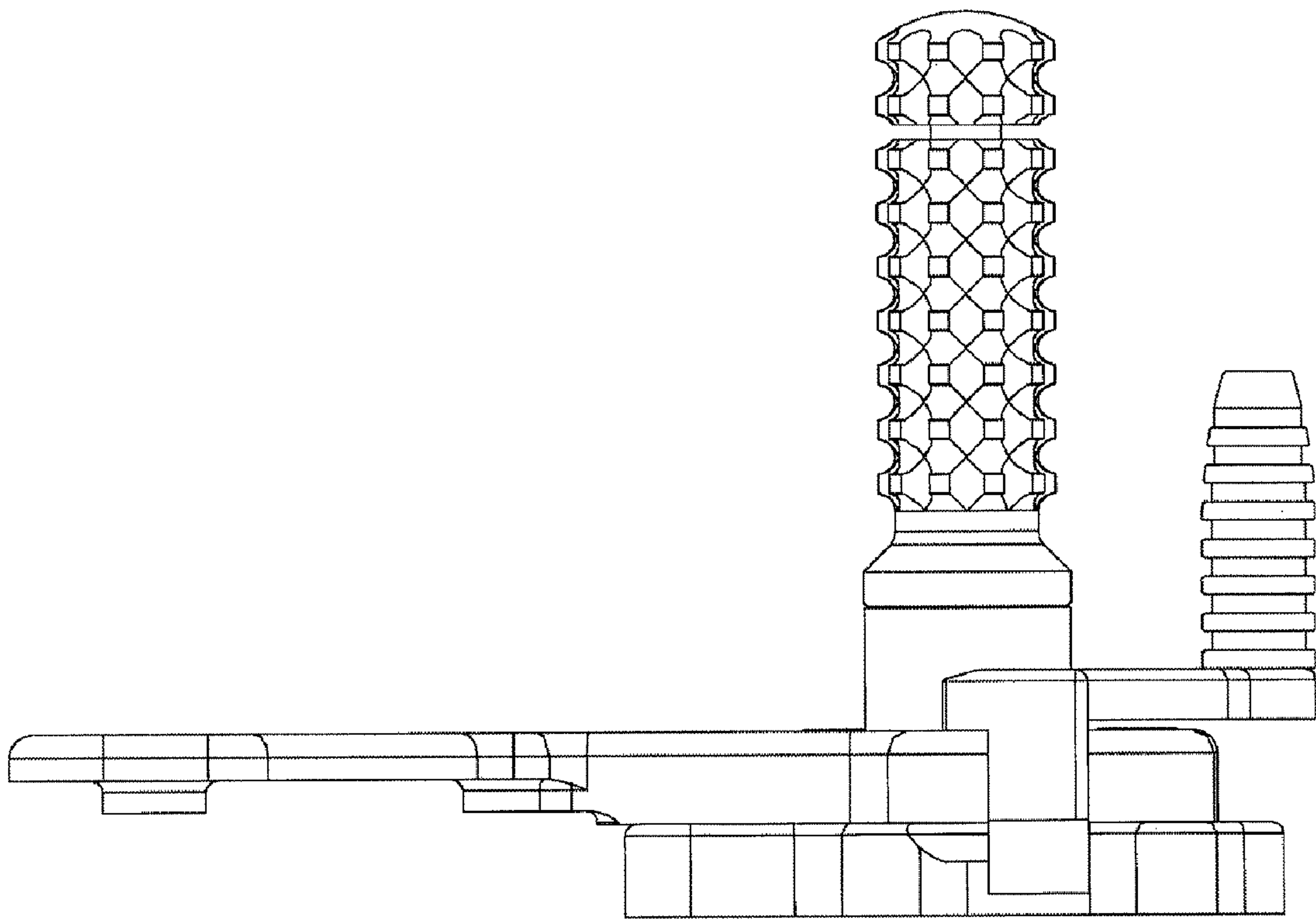


FIG. 6

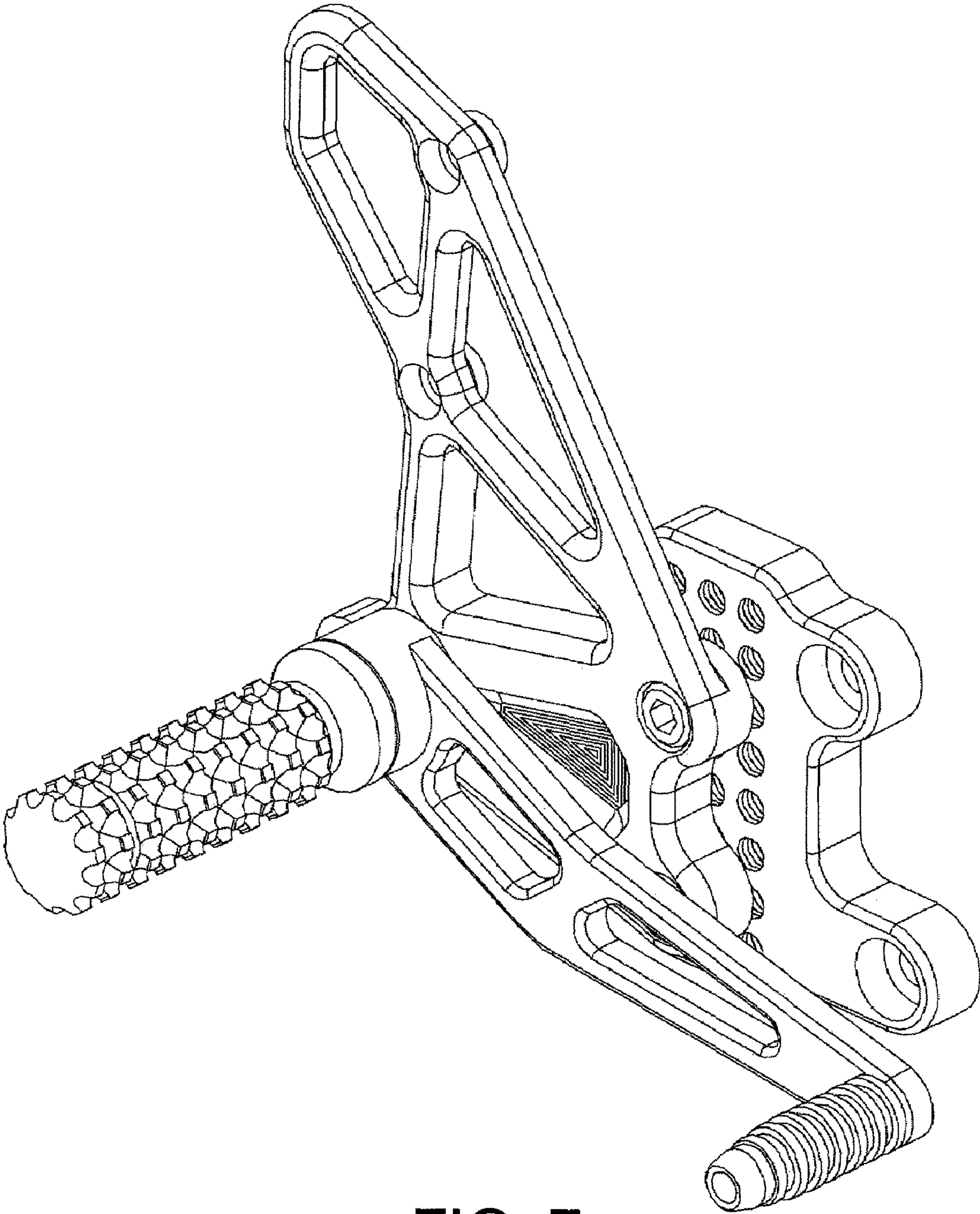


FIG. 7



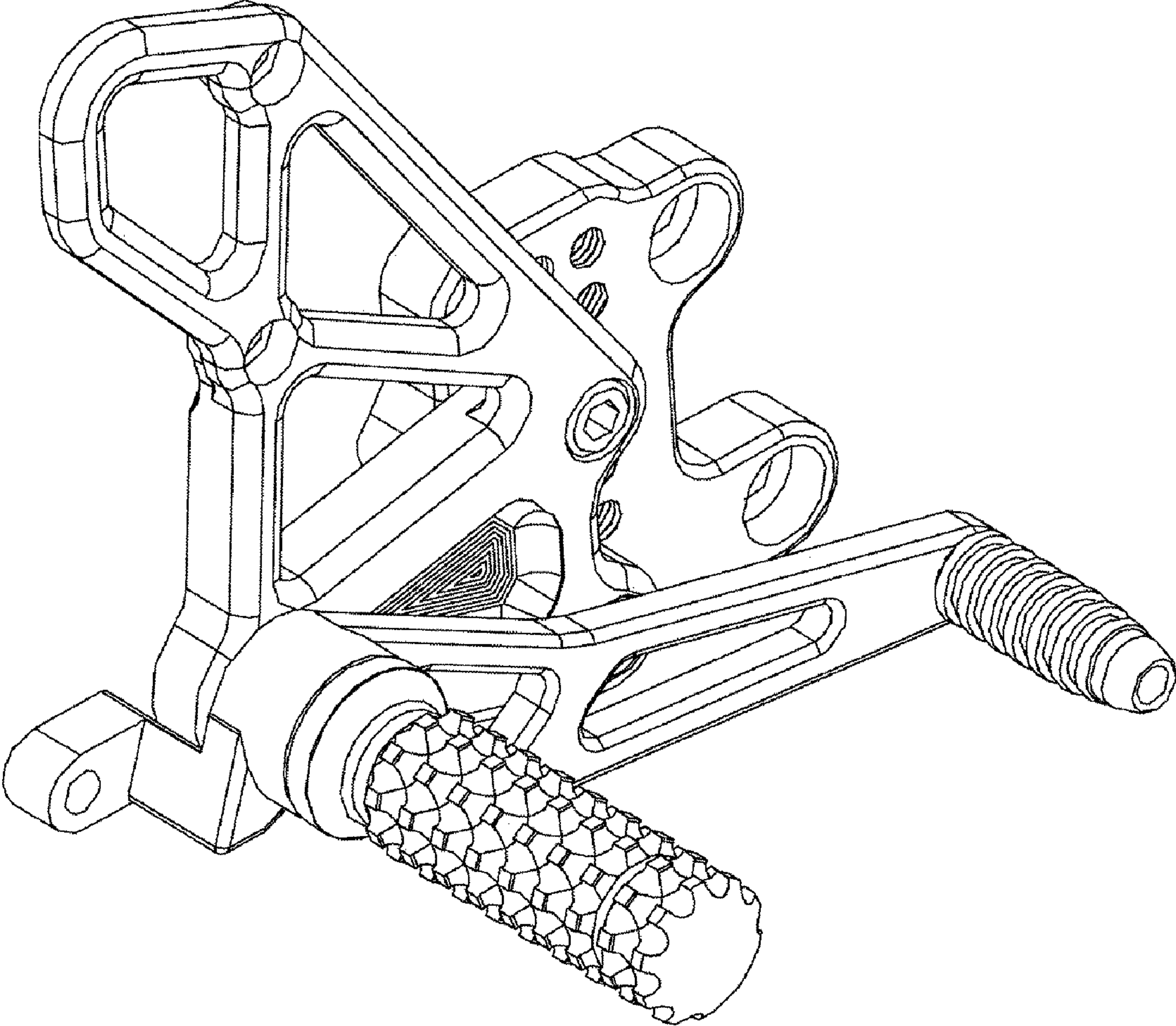


FIG. 8