



US00D601465S

(12) **United States Design Patent**
McGarry

(10) **Patent No.:** **US D601,465 S**
(45) **Date of Patent:** **** Oct. 6, 2009**

(54) **MOTORCYCLE CHAIN GUIDE**

(75) Inventor: **Timothy McGarry**, Phoenix, OR (US)

(73) Assignee: **T.M. Designworks, LLC**, Phoenix, OR (US)

(**) Term: **14 Years**

(21) Appl. No.: **29/305,827**

(22) Filed: **Mar. 28, 2008**

(51) **LOC (9) Cl.** **12-11**

(52) **U.S. Cl.** **D12/127**

(58) **Field of Classification Search** D12/110,
D12/114, 126, 127; 180/219; 280/304.3;
474/69, 101, 78-82, 91, 109, 111, 135, 140,
474/174, 144-146

See application file for complete search history.

(56) **References Cited**

U.S. PATENT DOCUMENTS

D367,250 S 2/1996 Kartchner
D532,720 S * 11/2006 McGarry D12/127
2005/0159260 A1 7/2005 Gogo
2007/0087877 A1 4/2007 McGarry

OTHER PUBLICATIONS

KTM Chain Guide Bracket, 9 pages, Jan. 2007 (approximately).
Honda Chain Guide Bracket, 2 pages, Feb. 2005 (approximately).
KTM Chain Guide Bracket, 2 pages, 2006 (approximately).
Yamaha Chain Guide Bracket, 2 pages, 2000-2001 (approximately).
T.M. Designworks Chain Guide Bracket, 2 pages, Jul. 1999 (approximately).

Billet Racing Products Motorcycle Parts and Accessories Store,
<https://www.brpmoto.com>, 6 pages, Sep. 11, 2008.

* cited by examiner

Primary Examiner—Robin V Webster

Assistant Examiner—Linda Brooks

(74) *Attorney, Agent, or Firm*—Alleman Hall McCoy Russell
& Tuttle LLP

(57) **CLAIM**

The ornamental design for a motorcycle chain guide, as shown and described.

DESCRIPTION

FIG. 1 is a front perspective view of a motorcycle chain guide according to the present invention.

FIG. 2 is a rear perspective view of the motorcycle chain guide of FIG. 1.

FIG. 3 is a right side view of the motorcycle chain guide of FIG. 1.

FIG. 4 is a top view of the motorcycle chain guide of FIG. 1.
FIG. 5 is a left side view of the motorcycle chain guide of FIG. 1.

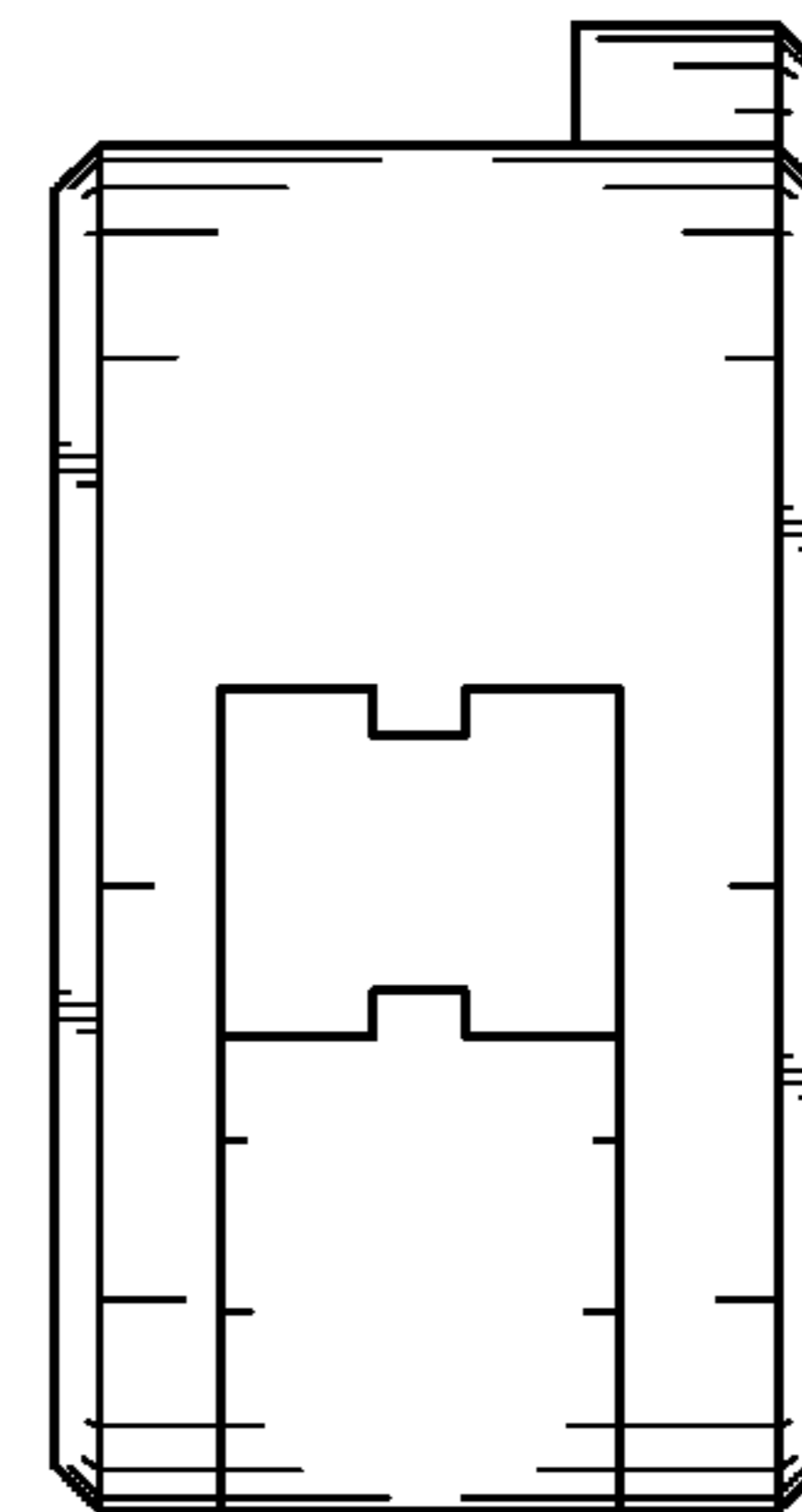
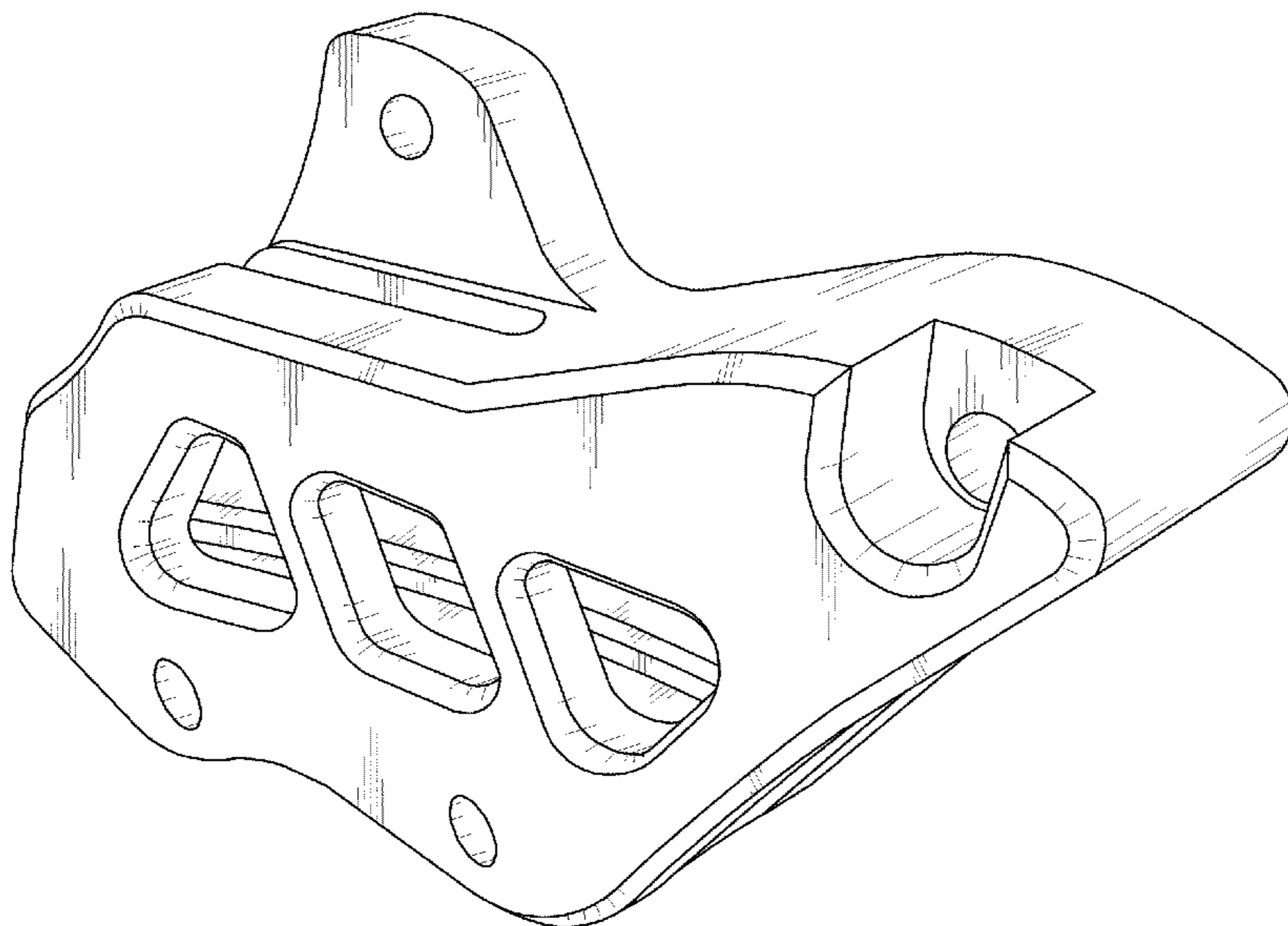
FIG. 6 is a bottom view of the motorcycle chain guide of FIG. 1.

FIG. 7 is a rear view of the motorcycle chain guide of FIG. 1.

FIG. 8 is a front view of the motorcycle chain guide of FIG. 1; and,

FIG. 9 is a front view of the motorcycle chain guide of FIG. 1 illustrating the removable base in exploded condition.

1 Claim, 4 Drawing Sheets



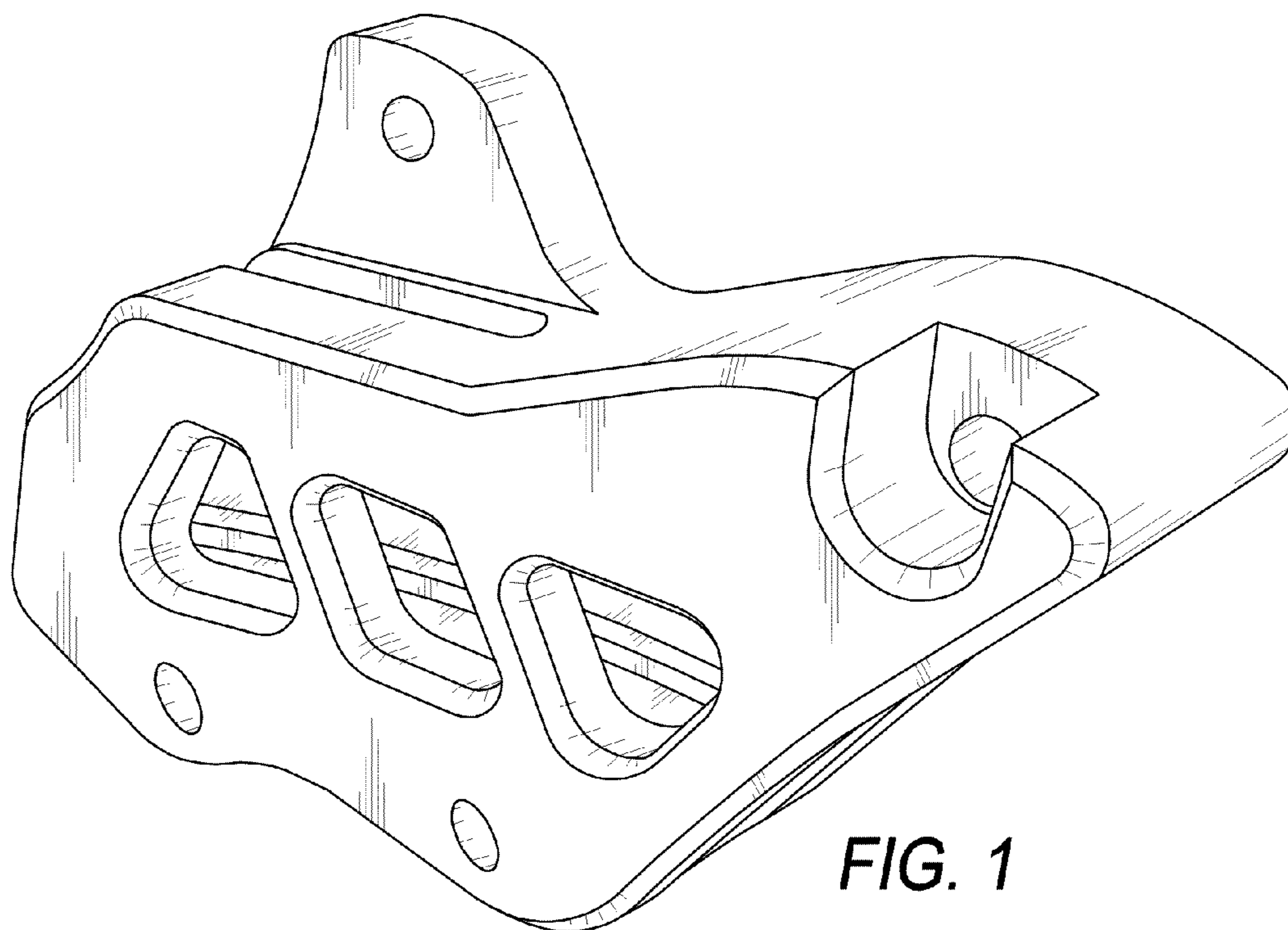


FIG. 1

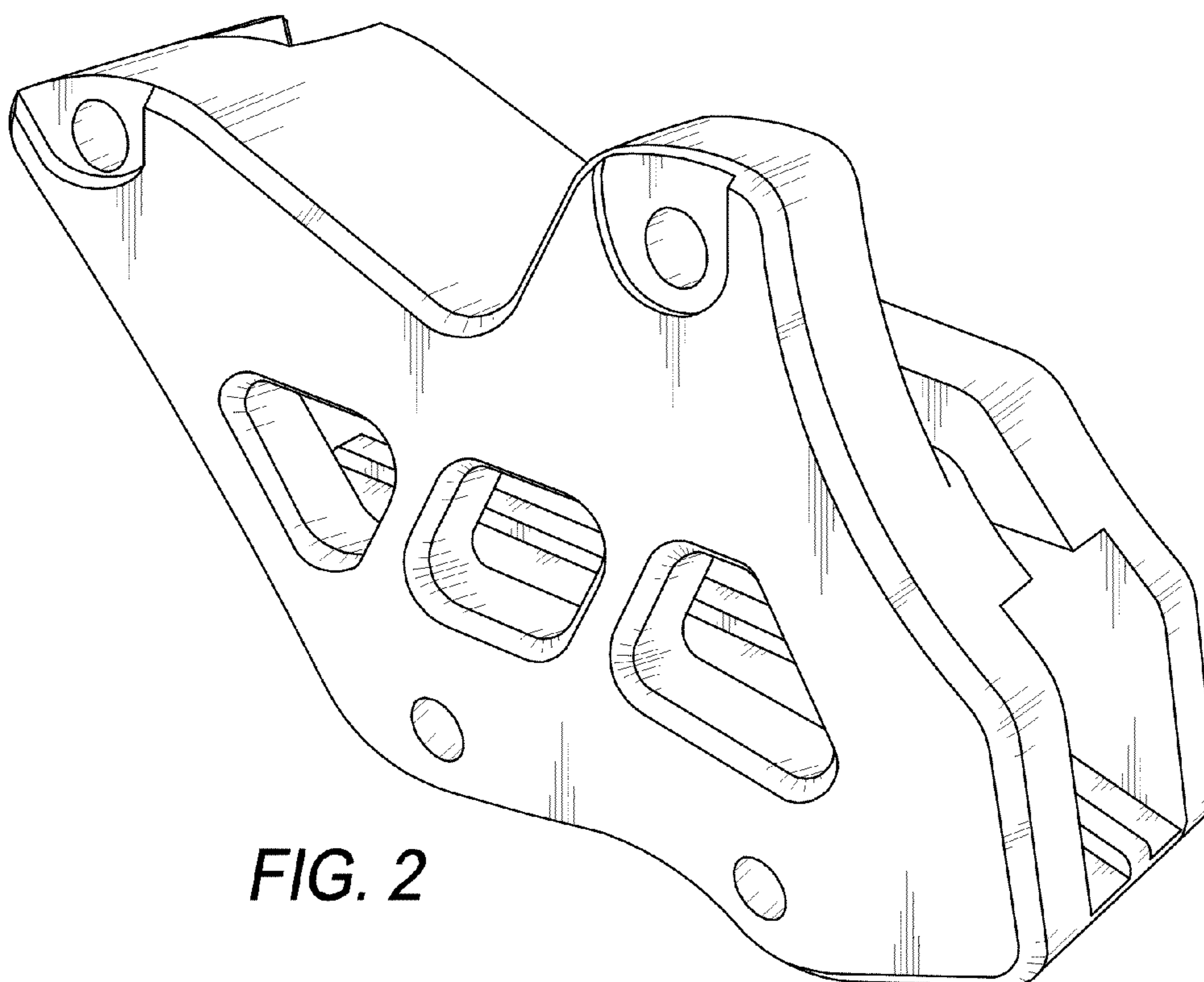


FIG. 2

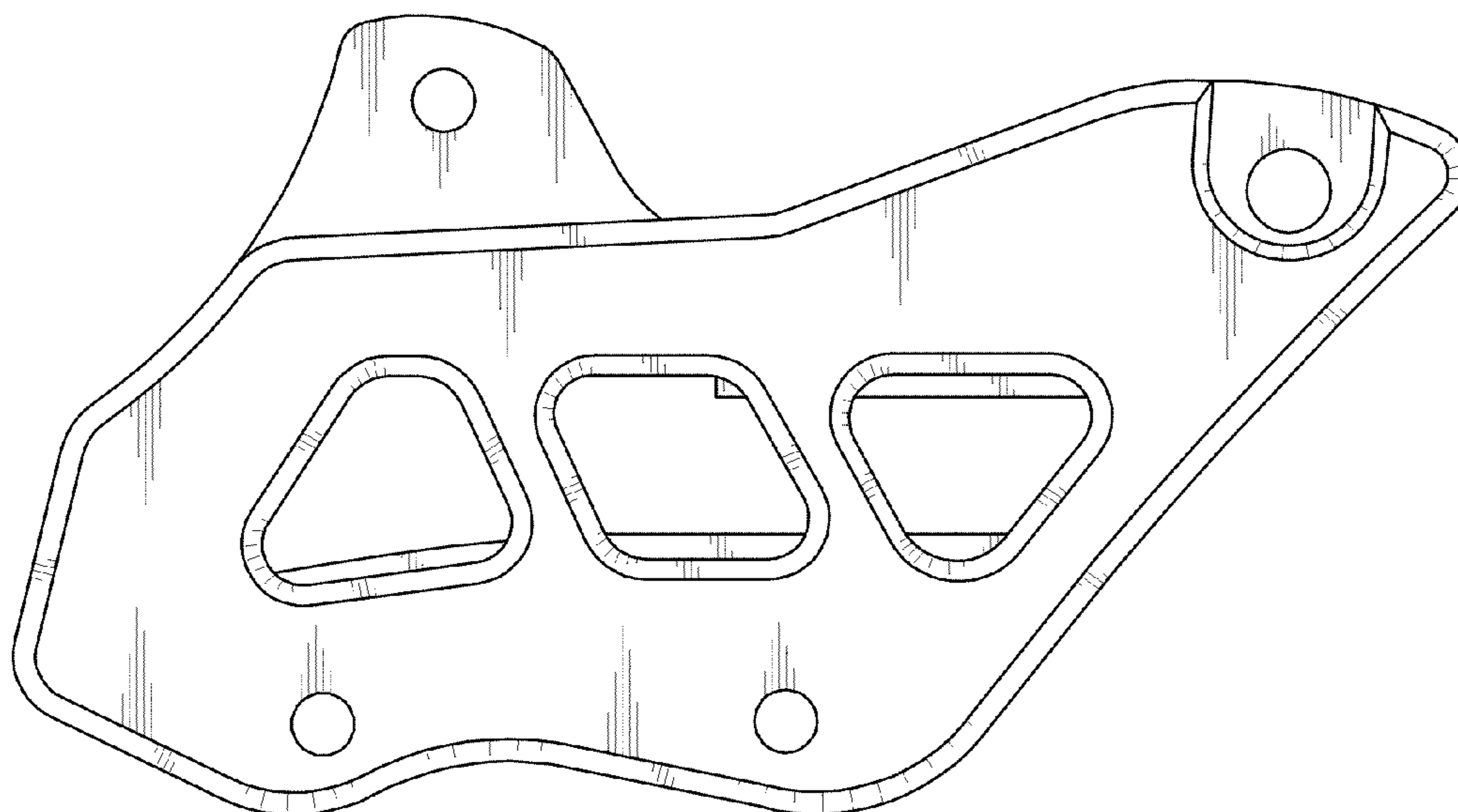


FIG. 3

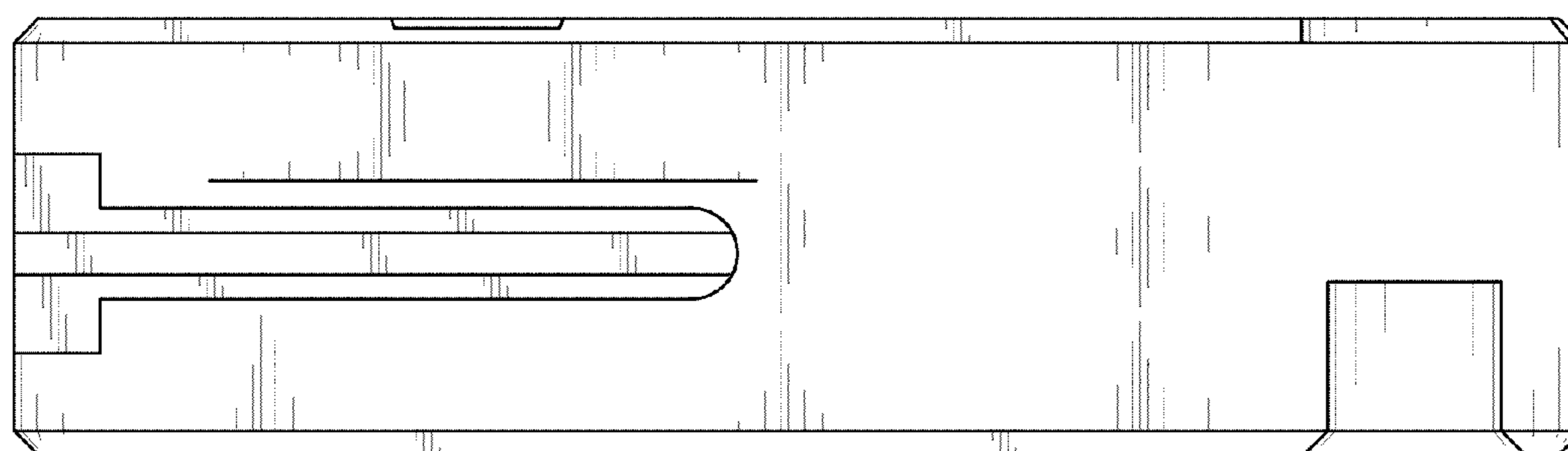


FIG. 4

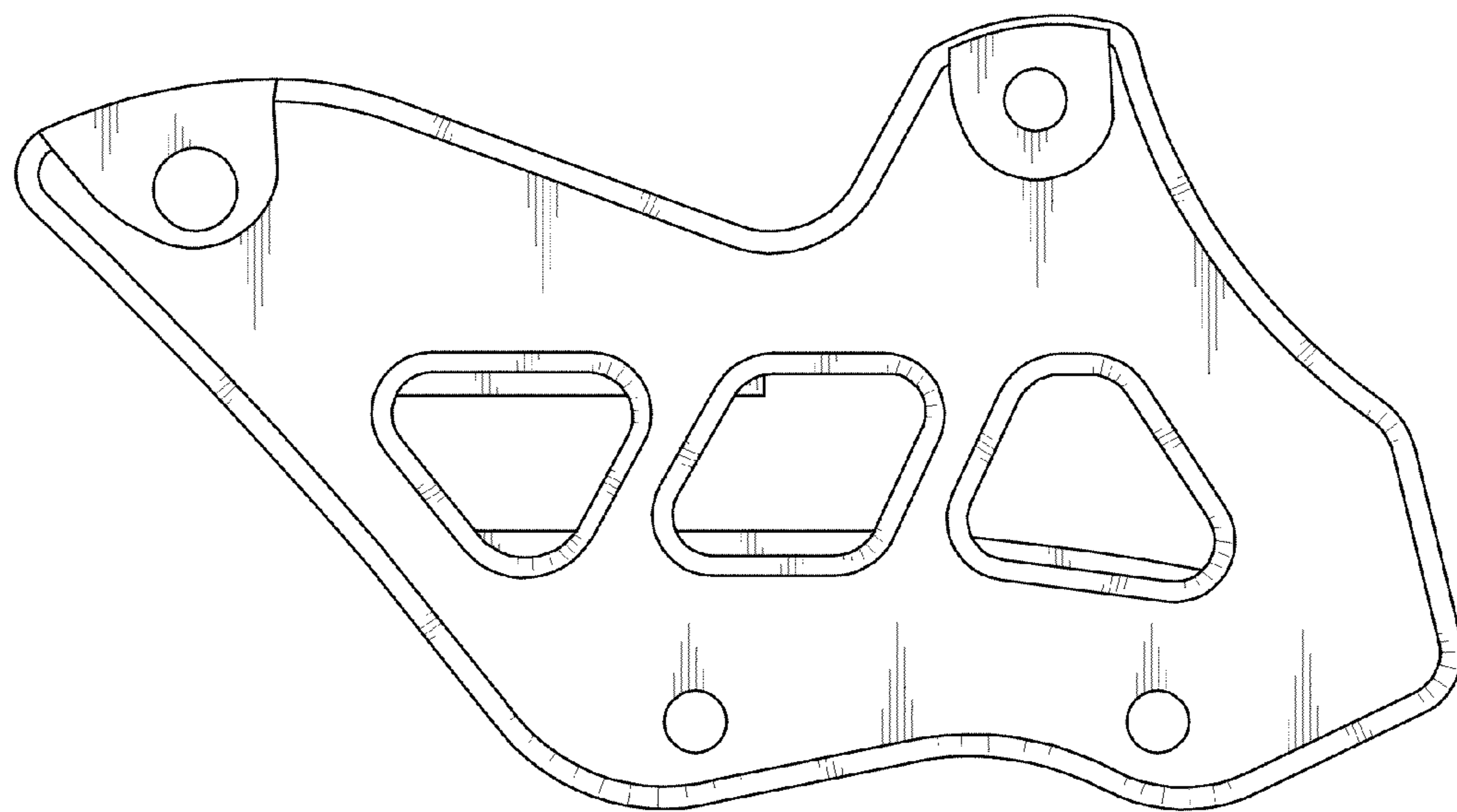


FIG. 5

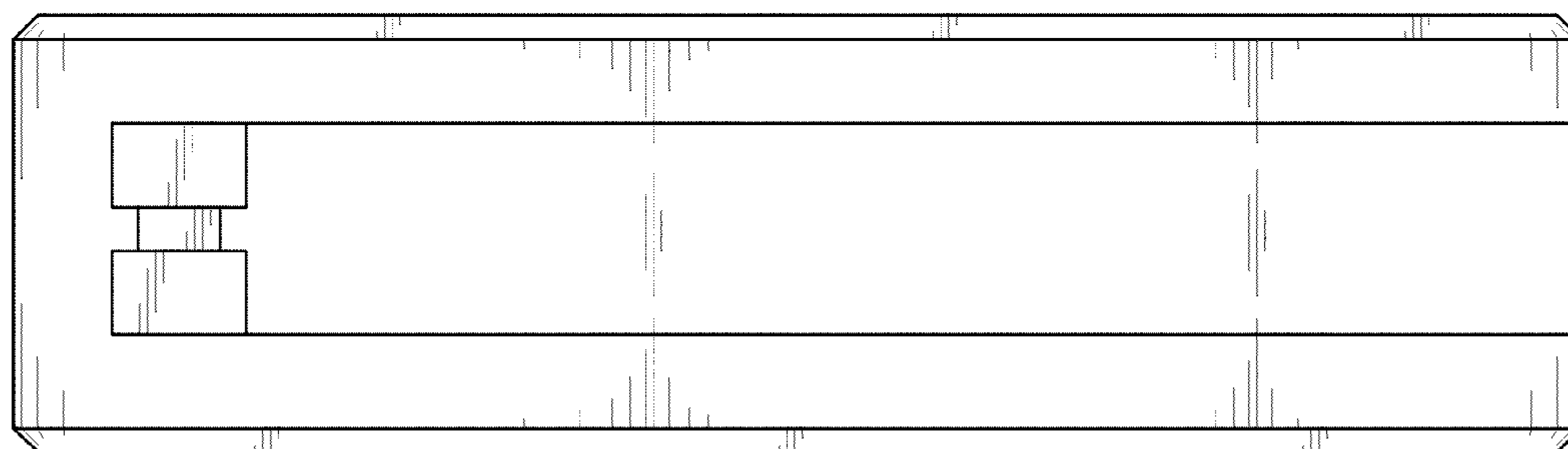


FIG. 6

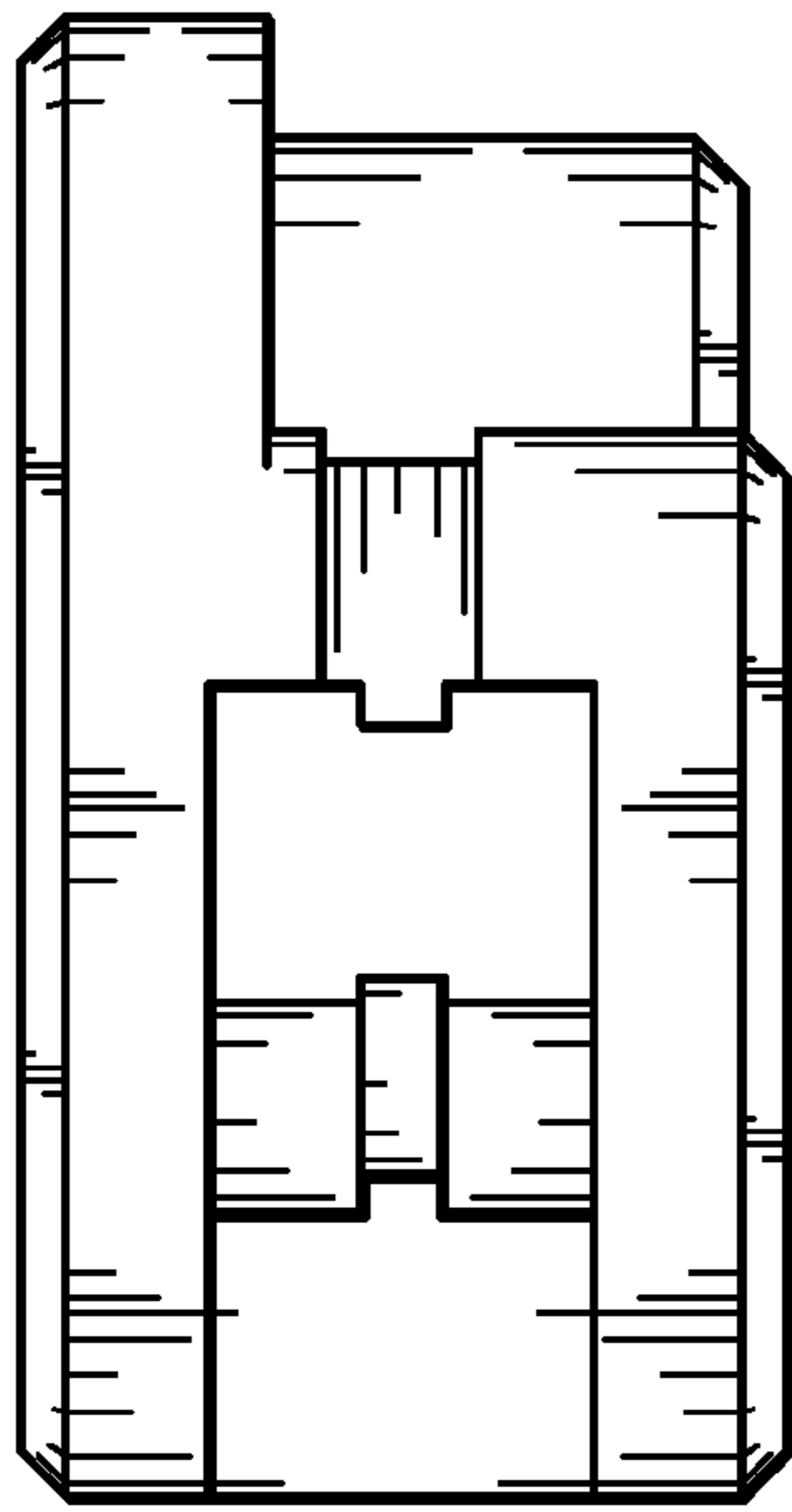


FIG. 7

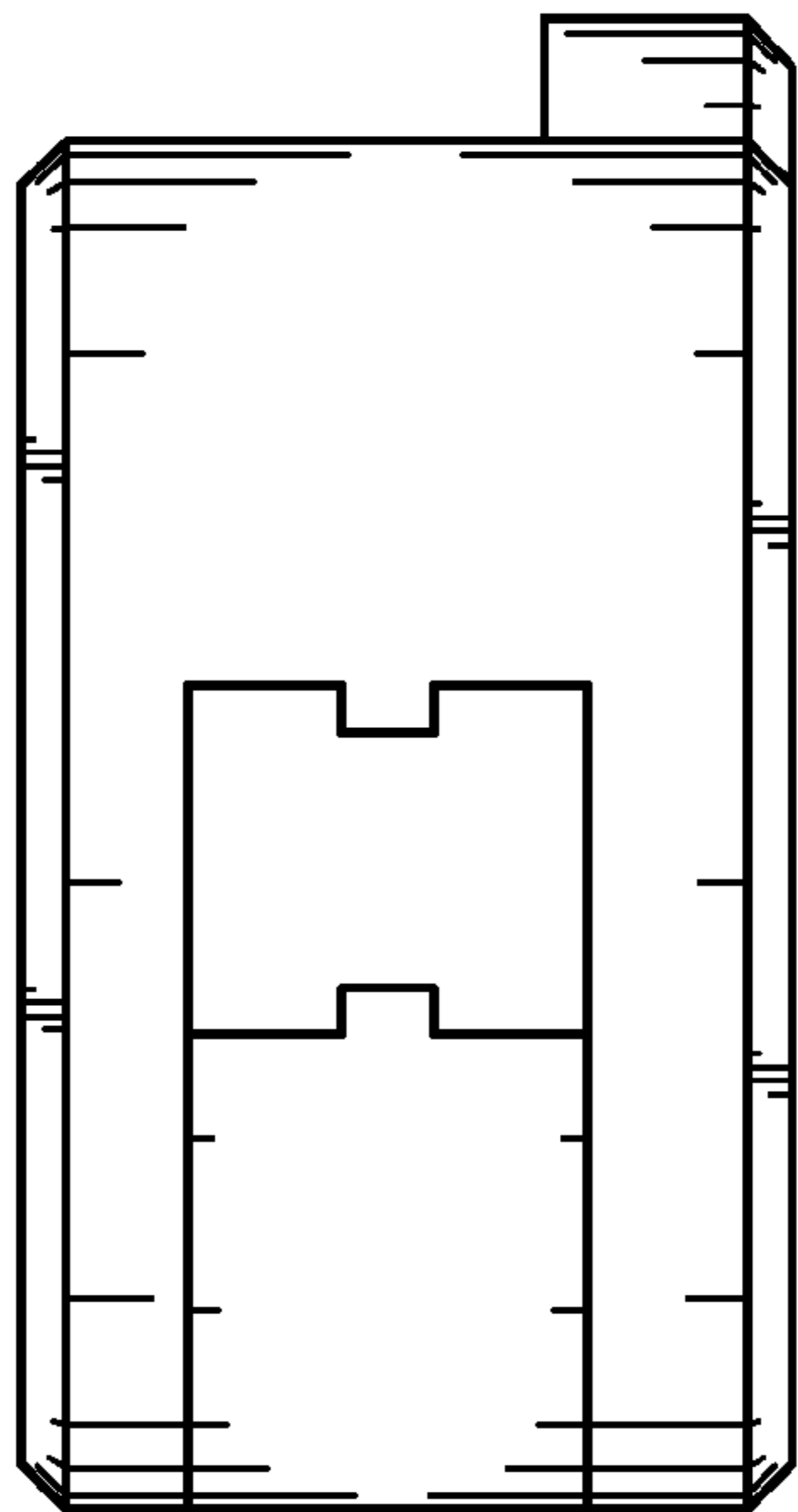


FIG. 8

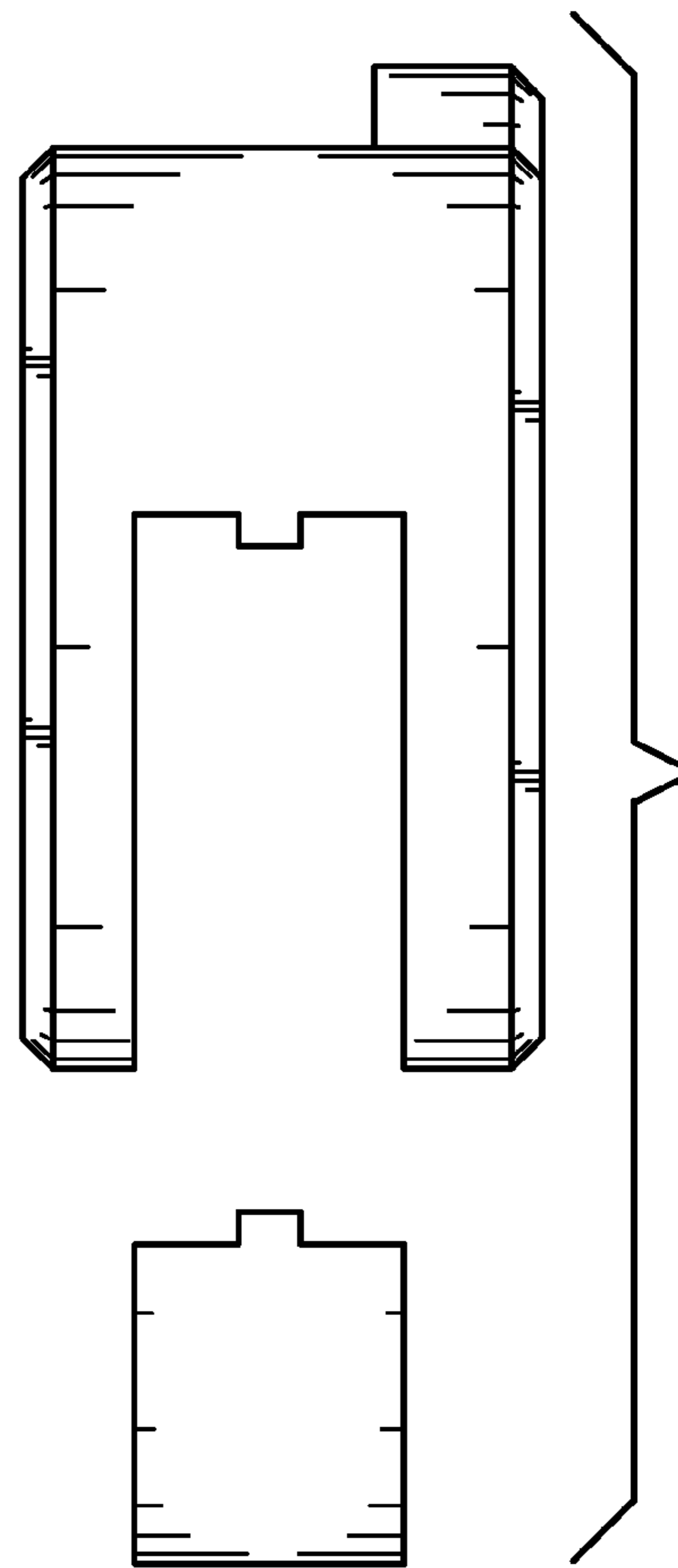


FIG. 9