



US00D601464S

(12) **United States Design Patent**  
**Tashiro**

(10) **Patent No.:** **US D601,464 S**

(45) **Date of Patent:** **\*\* Oct. 6, 2009**

(54) **PAIR OF FOOT BOARDS FOR  
FOUR-WHEELED MOTORCYCLE**

D515,978 S \* 2/2006 Luh ..... D12/107  
D516,960 S \* 3/2006 Luh ..... D12/107

\* cited by examiner

(75) Inventor: **Yasuho Tashiro**, Tokyo-to (JP)

*Primary Examiner*—Robin V Webster

(73) Assignee: **Yamaha Hatsudoki Kabushiki Kaisha**  
(JP)

*Assistant Examiner*—Linda Brooks

(74) *Attorney, Agent, or Firm*—Ostrolenk Faber LLP

(\*\*) Term: **14 Years**

(57) **CLAIM**

(21) Appl. No.: **29/319,213**

The ornamental design for a pair of foot boards for four-wheeled motorcycle, as shown and described.

(22) Filed: **Jun. 5, 2008**

**DESCRIPTION**

(51) **LOC (9) Cl.** ..... **12-11**

(52) **U.S. Cl.** ..... **D12/114; D12/107**

(58) **Field of Classification Search** ..... D12/3,  
D12/86, 87, 107, 110, 181–186, 203, 114,  
D12/122, 125; 180/225, 229, 223, 233, 311,  
180/315, 90.6; 74/478, 478.5, 473.16; 296/77.1,  
296/78.1, 198, 75; 280/152.1–152.3, 847–852,  
280/770, 291, 163, 160.1

See application file for complete search history.

FIG. 1 is a front, left side, perspective view of a pair of foot boards for four-wheeled motorcycle showing my new design;

FIG. 2 is a left side view thereof;

FIG. 3 is a right side view thereof;

FIG. 4 is a front view thereof;

FIG. 5 is a rear view thereof;

FIG. 6 is a top plan view thereof; and,

FIG. 7 is a bottom view thereof.

The left side foot board and the right side foot board of the pair of foot boards for four-wheeled motorcycle are mirror images of each other.

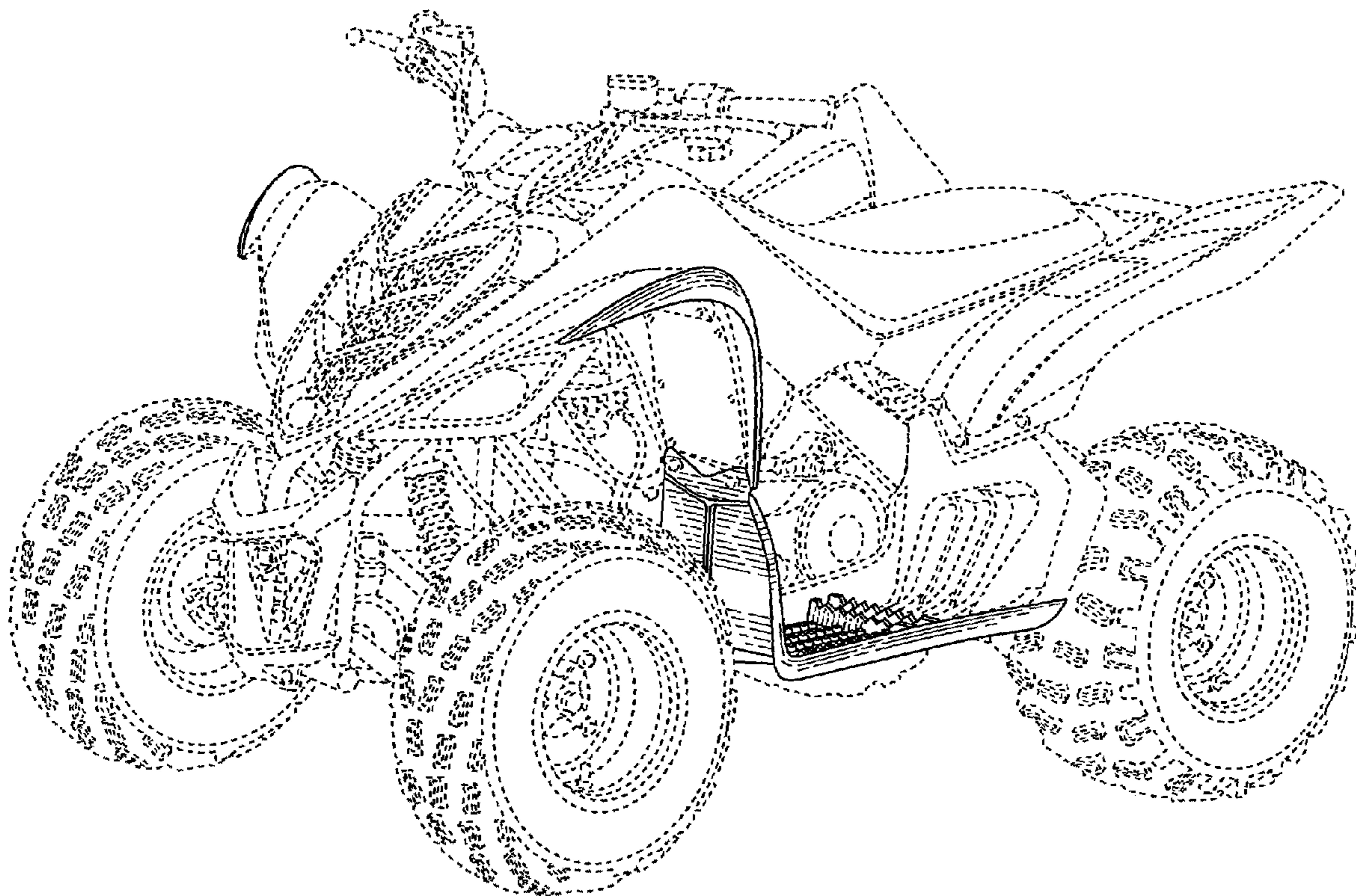
The elements shown in broken lines form no part of the claimed design.

(56) **References Cited**

**U.S. PATENT DOCUMENTS**

D389,440 S \* 1/1998 Walters et al. .... D12/120  
6,224,134 B1 \* 5/2001 Johnson et al. .... 296/75  
6,270,106 B1 \* 8/2001 Maki et al. .... 280/291  
6,502,863 B1 \* 1/2003 Takahashi et al. .... 280/847  
D512,001 S \* 11/2005 Kato et al. .... D12/107

**1 Claim, 4 Drawing Sheets**



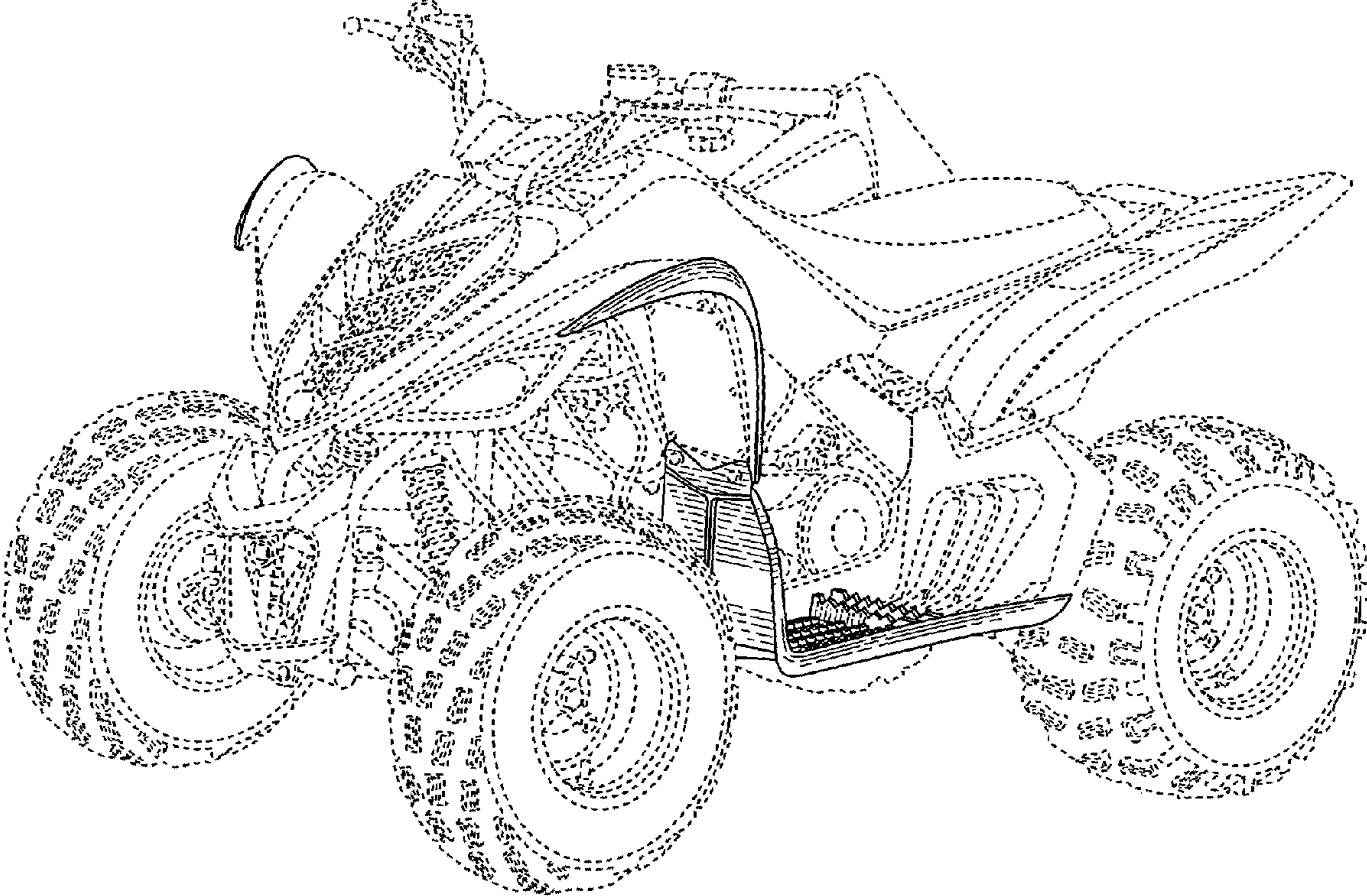


FIG. 1



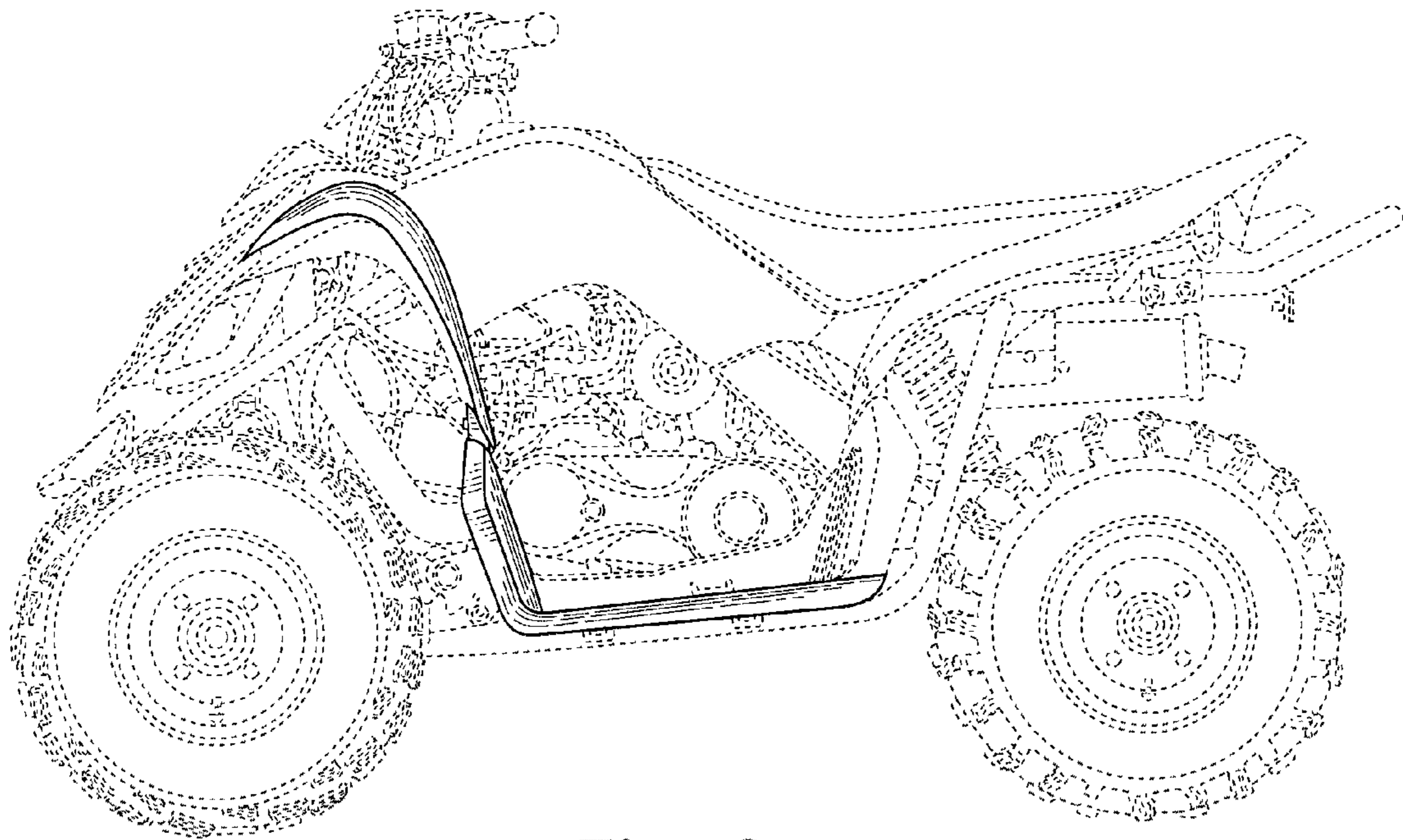


Fig. 2

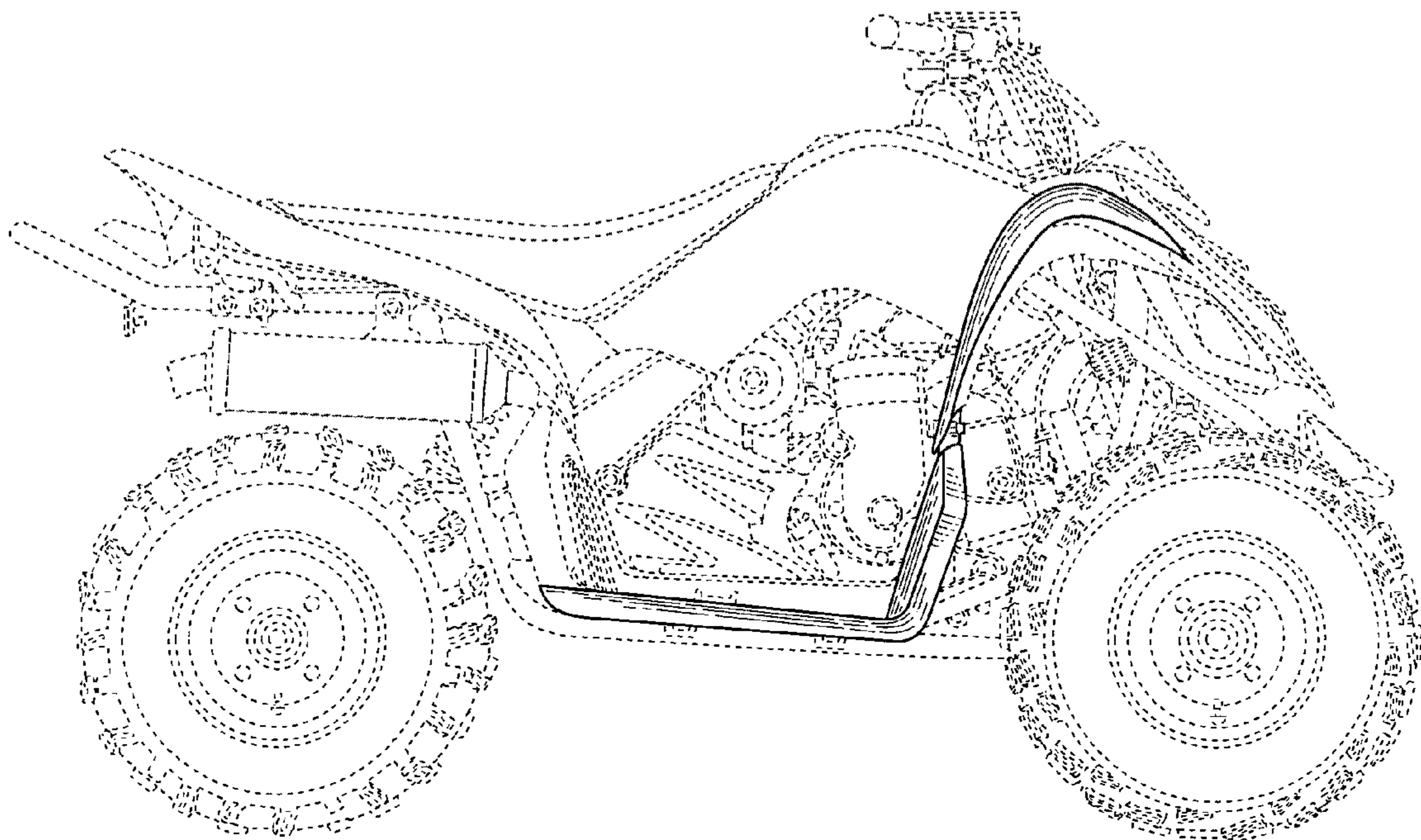


Fig. 3

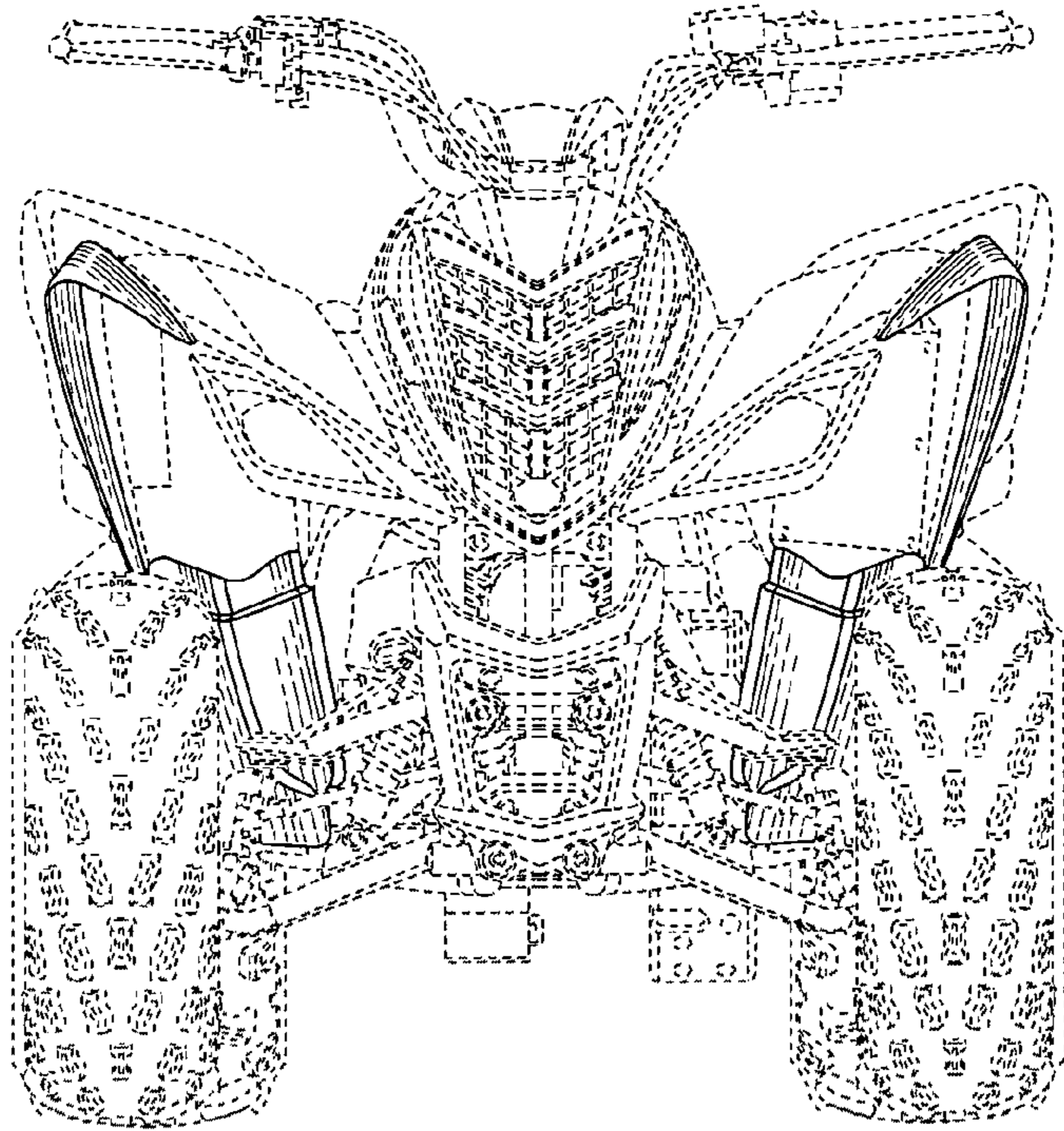


Fig. 4

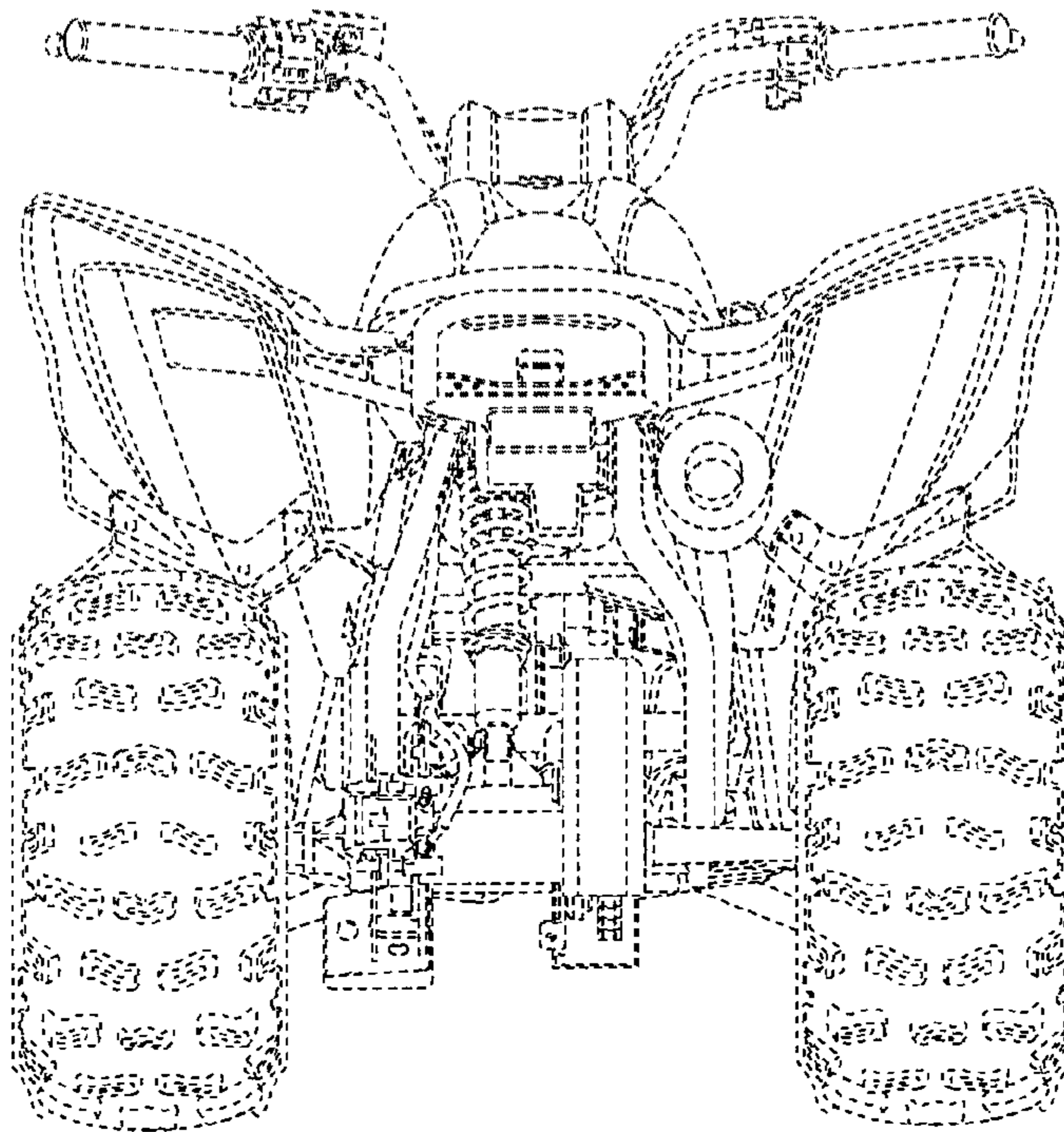


Fig. 5



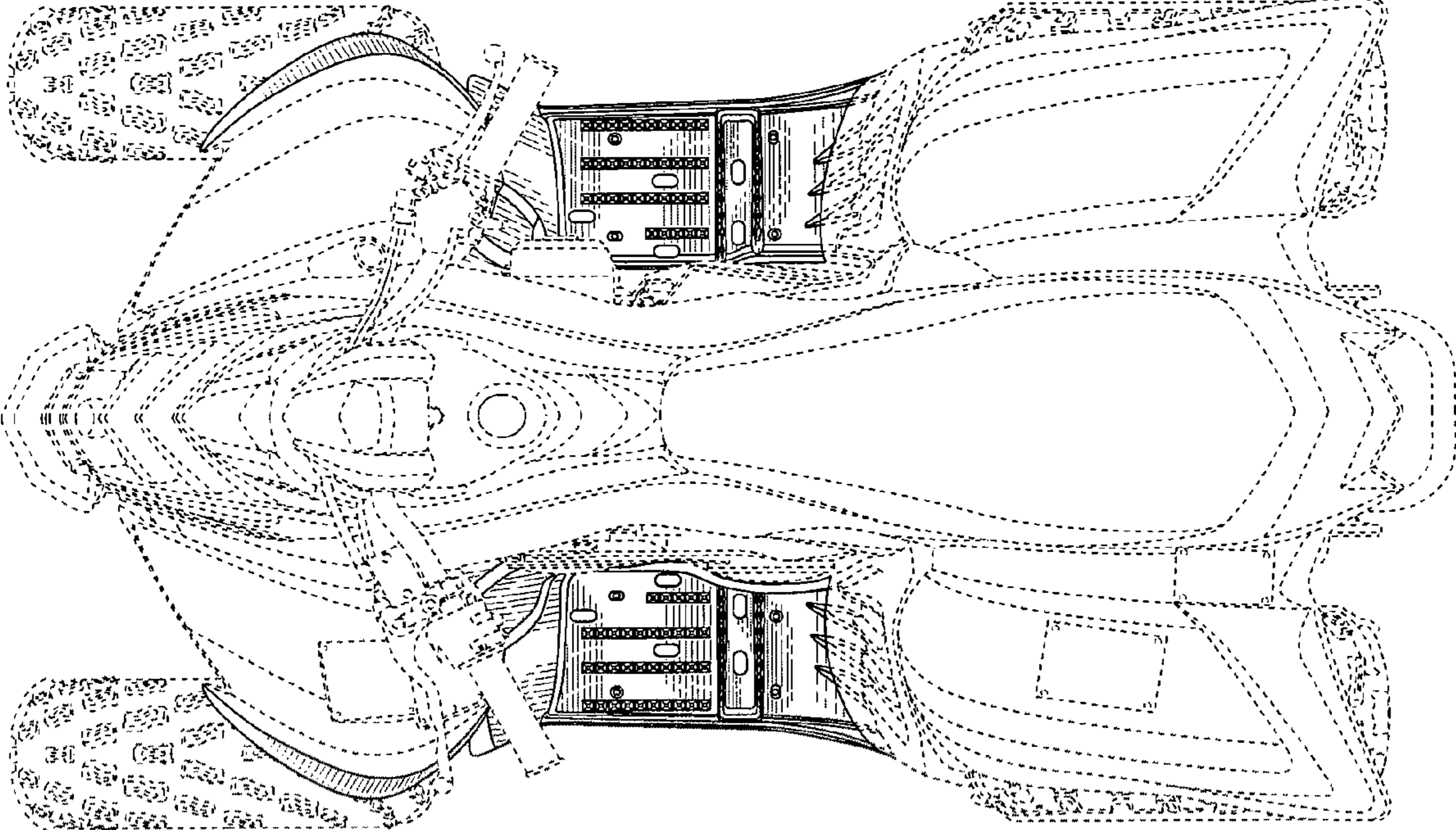


Fig. 6

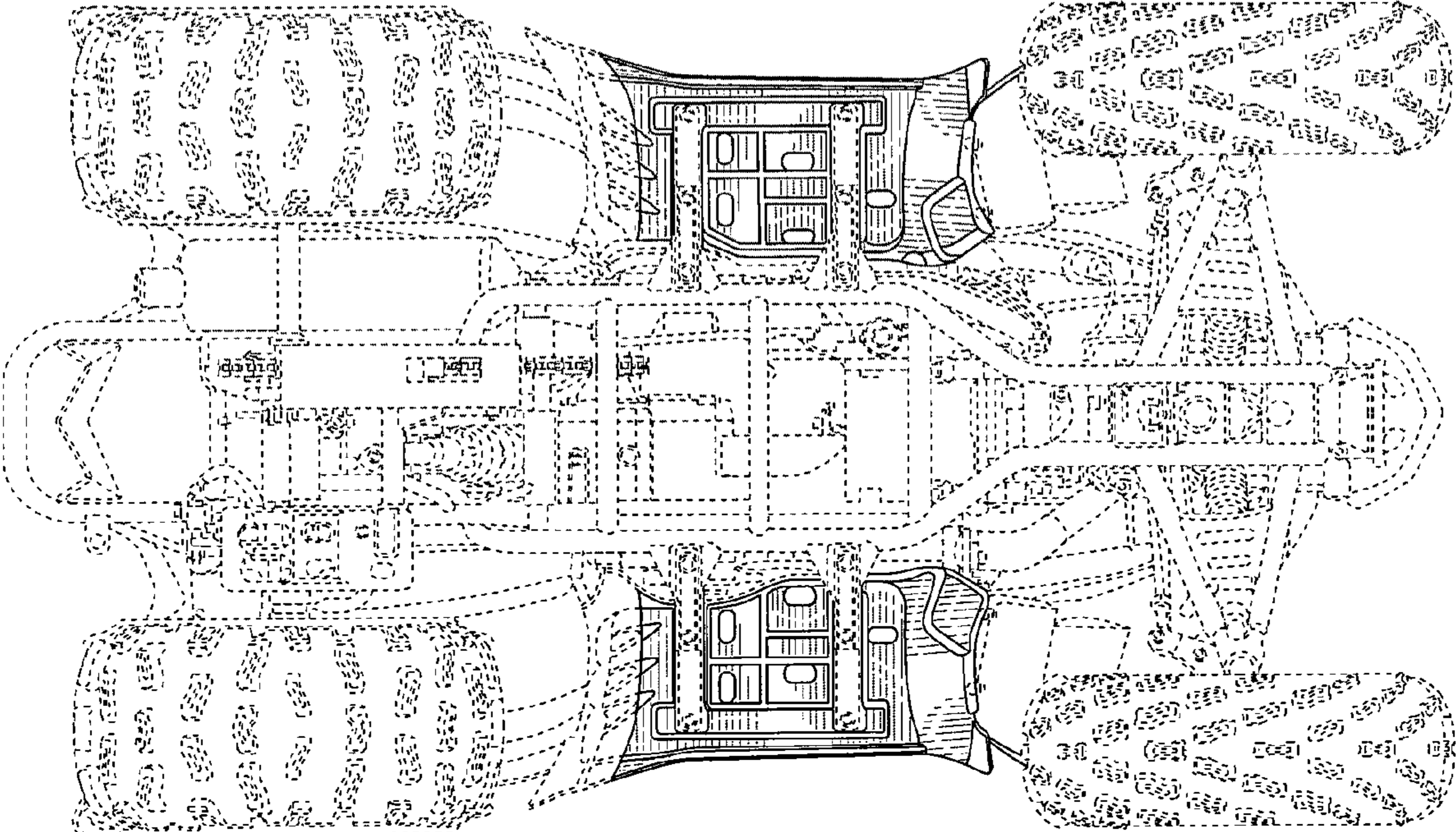


Fig. 7