



US00D601462S

(12) **United States Design Patent**
Comstock et al.

(10) **Patent No.:** **US D601,462 S**

(45) **Date of Patent:** **** *Oct. 6, 2009**

(54) **TRICYCLE**

(76) Inventors: **Scott Patrick Comstock**, 4747 Gould Ave., La Canada, CA (US) 91011; **Kurt Joseph Comstock**, 13850 Lakeside St., Sylmar, CA (US) 91342

(*) Notice: This patent is subject to a terminal disclaimer.

(**) Term: **14 Years**

(21) Appl. No.: **29/331,303**

(22) Filed: **Jan. 23, 2009**

(51) **LOC (9) Cl.** **12-11**

(52) **U.S. Cl.** **D12/112**

(58) **Field of Classification Search** D12/107, D12/111-113; 280/278, 282, 287, 281.1, 280/288.1, 62, 263, 270, 271, 1, 200, 205, 280/211, 828, 266; D21/432, 435; 446/440
See application file for complete search history.

(56) **References Cited**

U.S. PATENT DOCUMENTS

D143,592 S *	1/1946	Hair	D12/113
D206,334 S *	11/1966	Ryan et al.	D12/113
D231,442 S *	4/1974	Douglas et al.	D12/112
4,417,743 A *	11/1983	Garel	280/266

4,523,770 A *	6/1985	Lee	280/266
4,572,535 A *	2/1986	Stewart et al.	280/282
D289,985 S *	5/1987	Davenport	D12/107
D451,846 S *	12/2001	Kelly et al.	D12/112
D461,145 S *	8/2002	Chiappetta et al.	D12/113

* cited by examiner

Primary Examiner—Robin V Webster

Assistant Examiner—Linda Brooks

(74) *Attorney, Agent, or Firm*—The Law Office of Michael E. Kondoudis

(57) **CLAIM**

The ornamental design for a tricycle, as shown and described.

DESCRIPTION

FIG. 1 is a perspective view of a tricycle;
FIG. 2 is a right-side view of the tricycle of FIG. 1;
FIG. 3 is a rear view of the tricycle of FIG. 1;
FIG. 4 is a front view of the tricycle of FIG. 1;
FIG. 5 is top plan view of the tricycle of FIG. 1; and,
FIG. 6 is a bottom plan view of the tricycle of FIG. 1.

The left-side view of the tricycle of FIG. 1 is a mirror image of the right-side view of FIG. 2. The broken lines showing the remainder of a tricycle form no part of the claimed design.

1 Claim, 6 Drawing Sheets

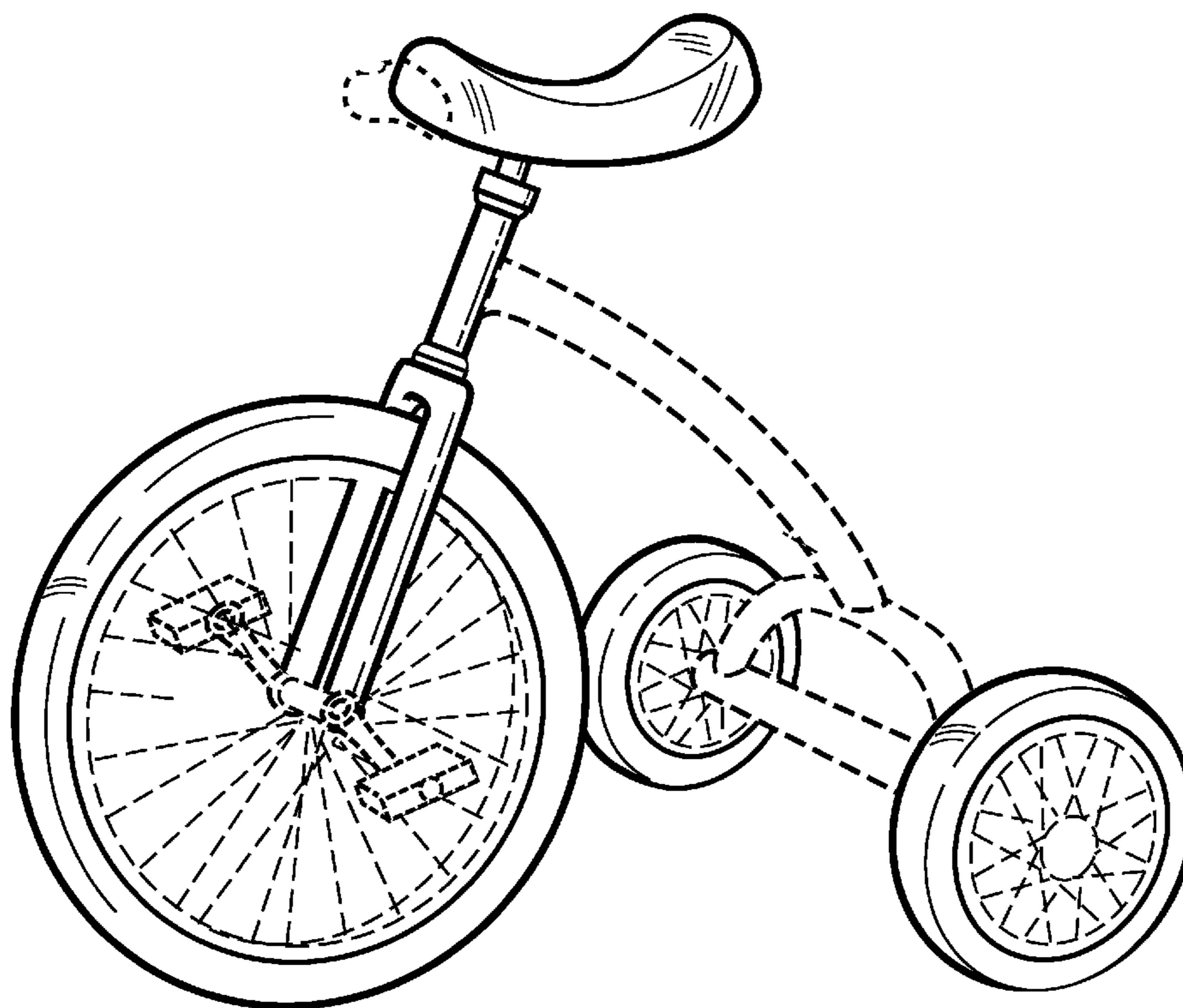


Fig. 1

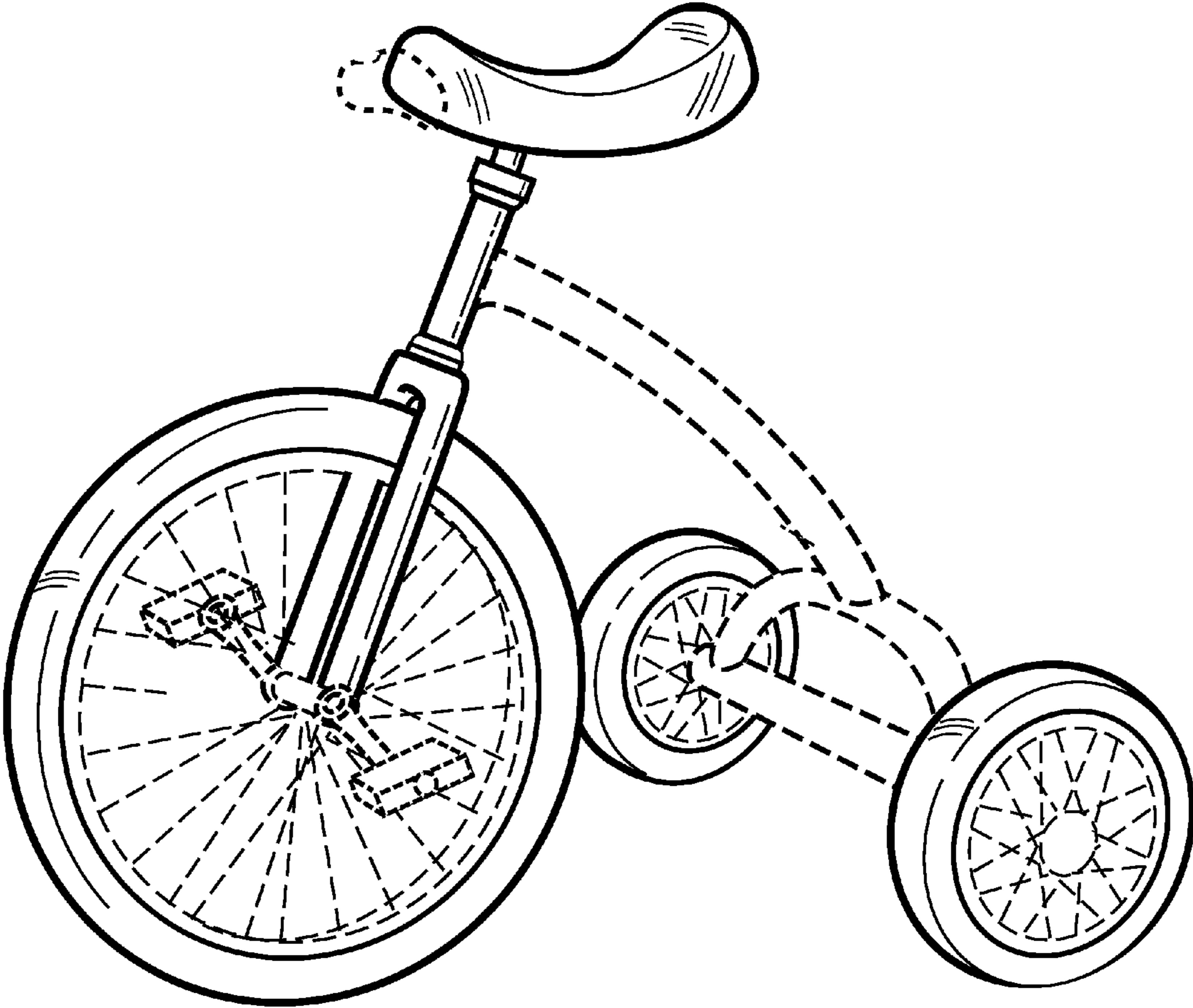


Fig. 2

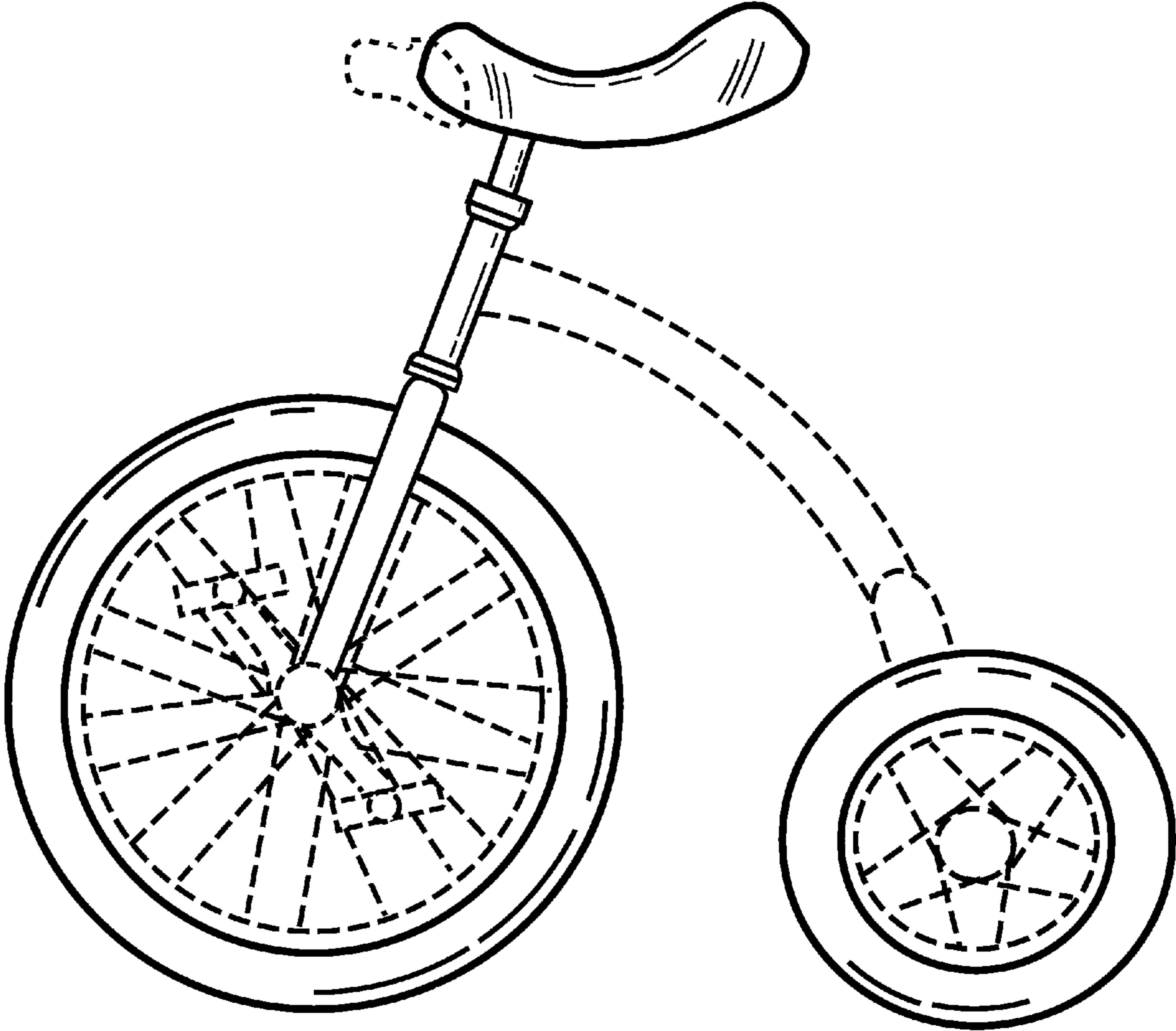


Fig. 3

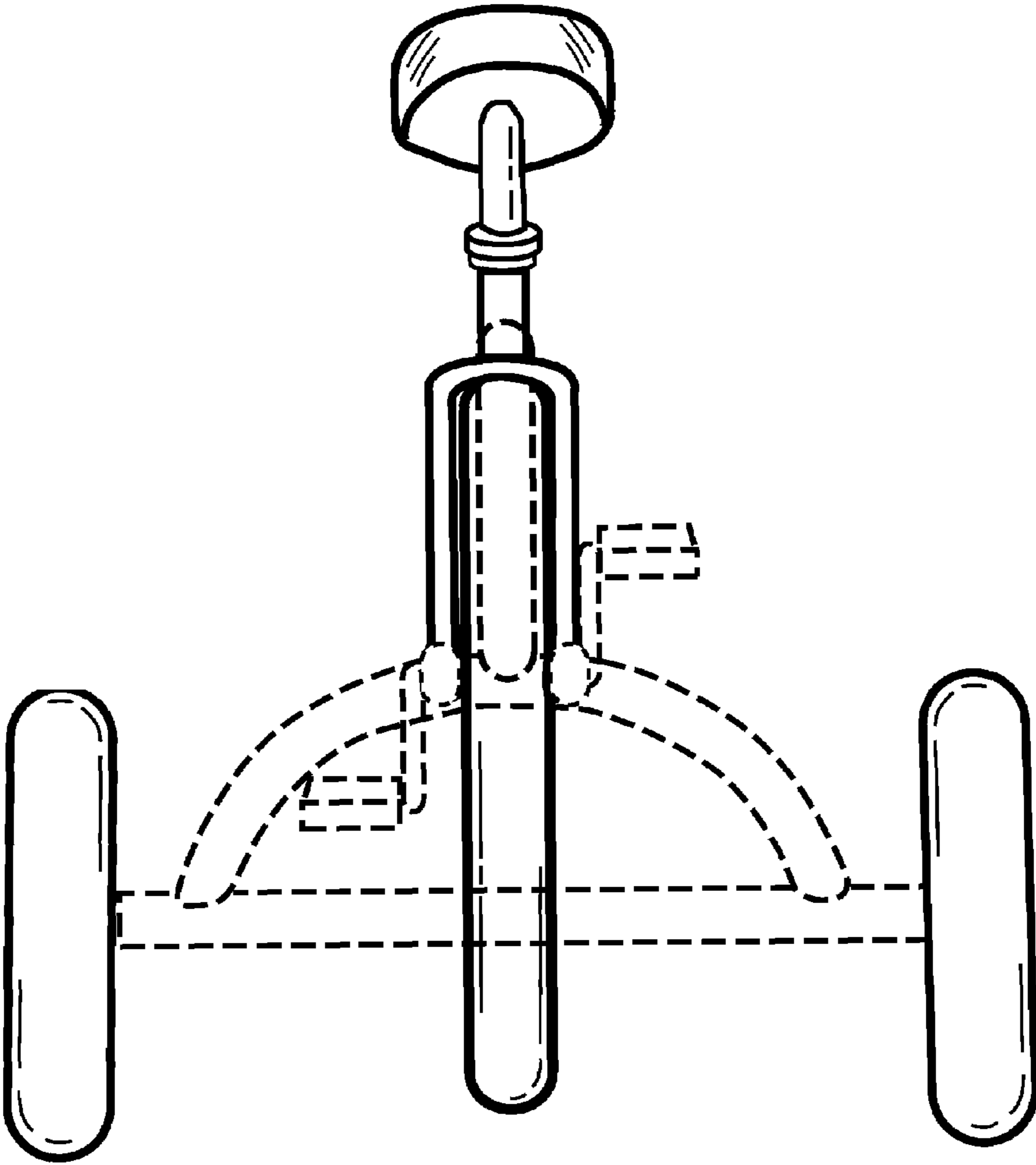


Fig. 4

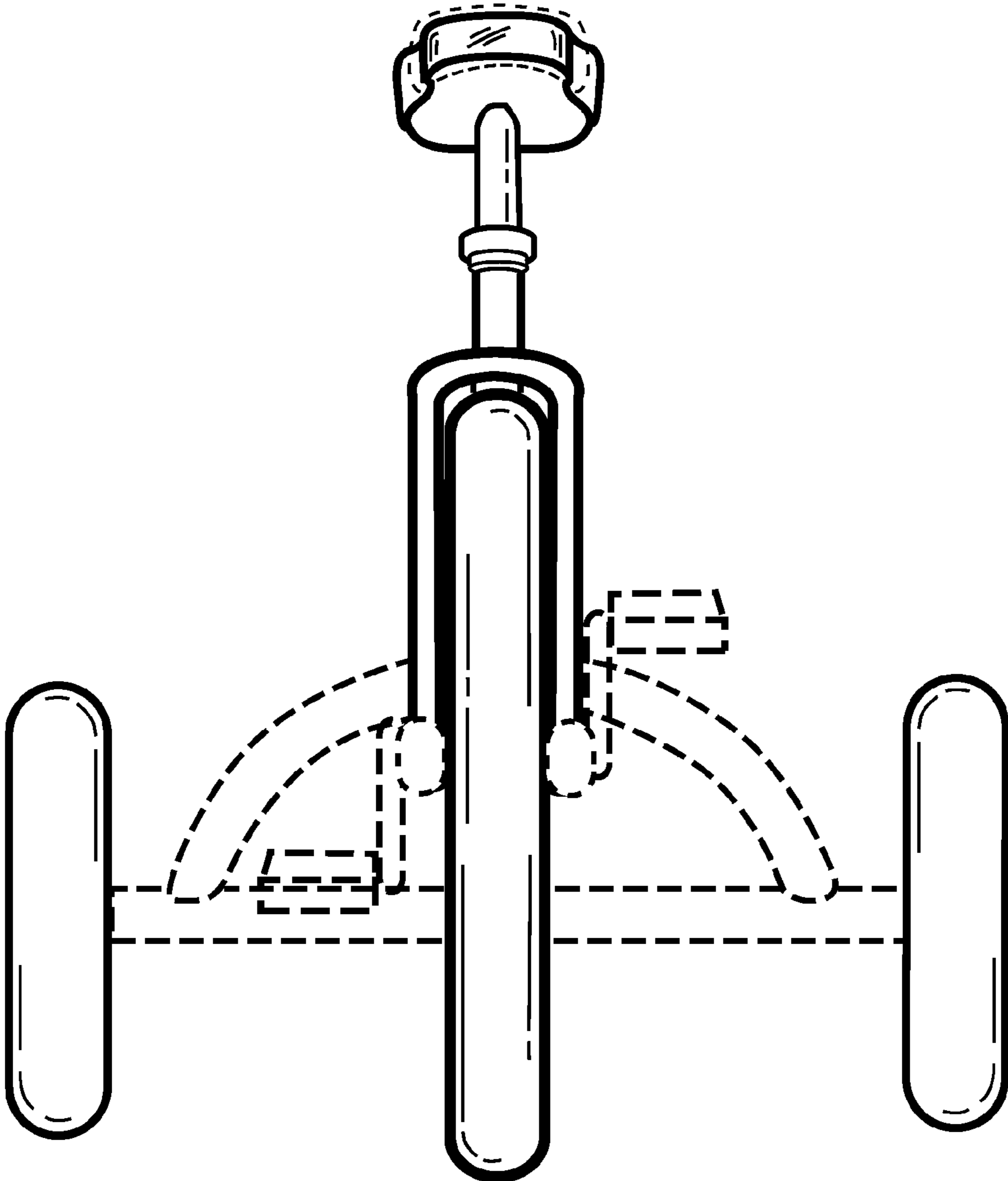


Fig. 5

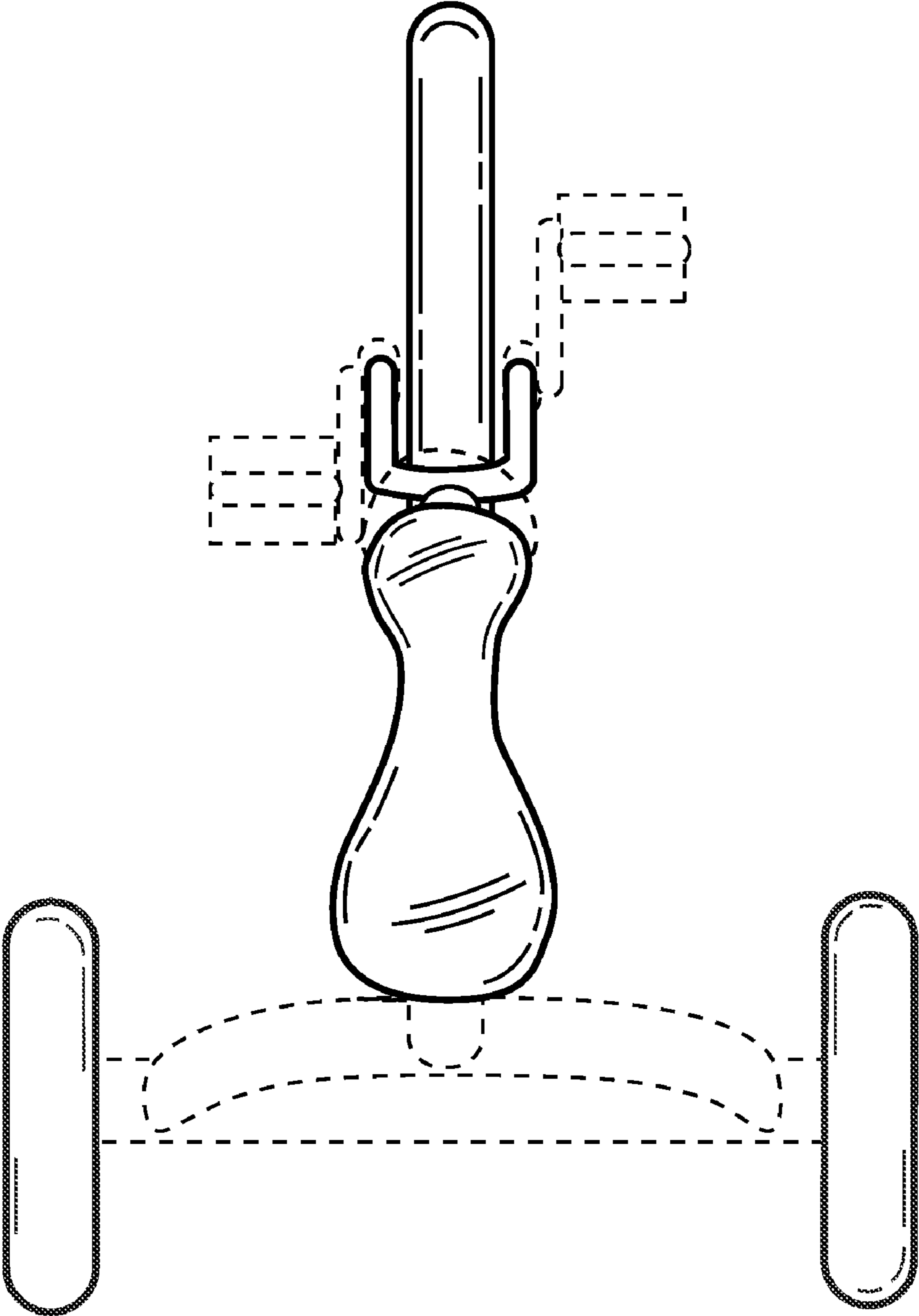


Fig. 6

