



US00D601461S

(12) **United States Design Patent**  
**Comstock et al.**

(10) **Patent No.:** **US D601,461 S**

(45) **Date of Patent:** **\*\* \*Oct. 6, 2009**

(54) **TRICYCLE**

(76) Inventors: **Scott Patrick Comstock**, 4747 Gould Ave., La Canada, CA (US) 91011; **Kurt Joseph Comstock**, 13850 Lakeside St., Sylmar, CA (US) 91342

(\* ) Notice: This patent is subject to a terminal disclaimer.

(\*\*) Term: **14 Years**

(21) Appl. No.: **29/331,302**

(22) Filed: **Jan. 23, 2009**

(51) **LOC (9) Cl.** ..... **12-11**

(52) **U.S. Cl.** ..... **D12/112**

(58) **Field of Classification Search** ..... D12/107, D12/111-113; 280/278, 282, 287, 281.1, 280/288.1, 62, 263, 270, 271, 200, 205, 211, 280/1, 828, 266; D21/432, 435; 446/440  
See application file for complete search history.

(56) **References Cited**

**U.S. PATENT DOCUMENTS**

D143,592 S \* 1/1946 Hair ..... D12/113  
D206,334 S \* 11/1966 Ryan et al. .... D12/113  
D231,442 S \* 4/1974 Douglas et al. .... D12/112  
4,417,743 A \* 11/1983 Garel ..... 280/266

4,523,770 A \* 6/1985 Lee ..... 280/266  
4,572,535 A \* 2/1986 Stewart et al. .... 280/282  
D289,985 S \* 5/1987 Davenport ..... D12/107  
D451,846 S \* 12/2001 Kelly et al. .... D12/112  
D461,145 S \* 8/2002 Chiappetta et al. .... D12/113

\* cited by examiner

*Primary Examiner*—Robin V Webster

*Assistant Examiner*—Linda Brooks

(74) *Attorney, Agent, or Firm*—The Law Office of Michael E. Kondoudis

(57) **CLAIM**

The ornamental design for a tricycle, as shown and described.

**DESCRIPTION**

FIG. 1 is a perspective view of a tricycle;  
FIG. 2 is a right-side view of the tricycle of FIG. 1;  
FIG. 3 is a rear view of the tricycle of FIG. 1;  
FIG. 4 is a front view of the tricycle of FIG. 1;  
FIG. 5 is top plan view of the tricycle of FIG. 1; and,  
FIG. 6 is a bottom plan view of the tricycle of FIG. 1.

The left-side view of the tricycle of FIG. 1 is a mirror image of the right-side view of FIG. 2. The broken lines showing the remainder of a tricycle form no part of the claimed design.

**1 Claim, 6 Drawing Sheets**

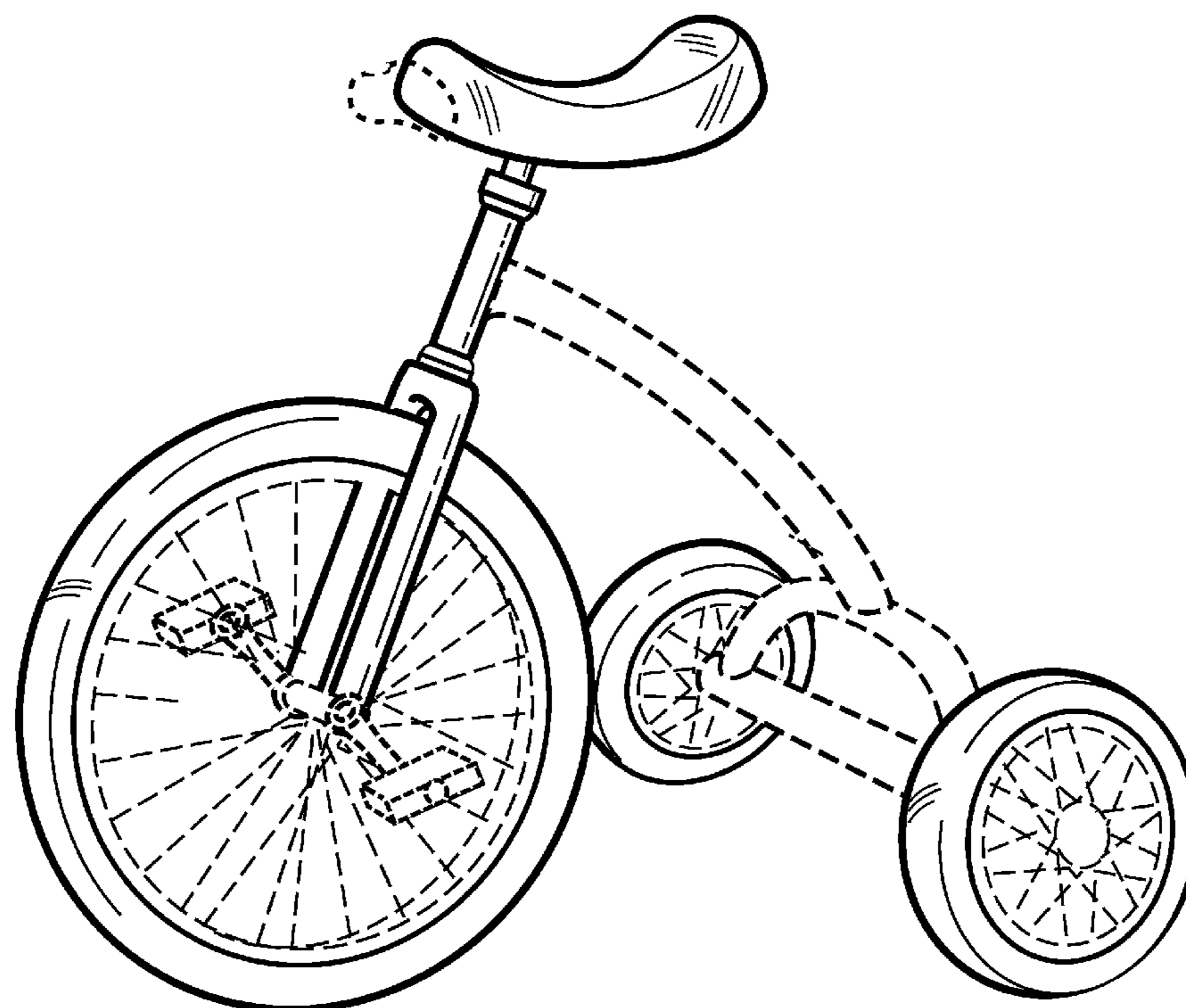


Fig. 1

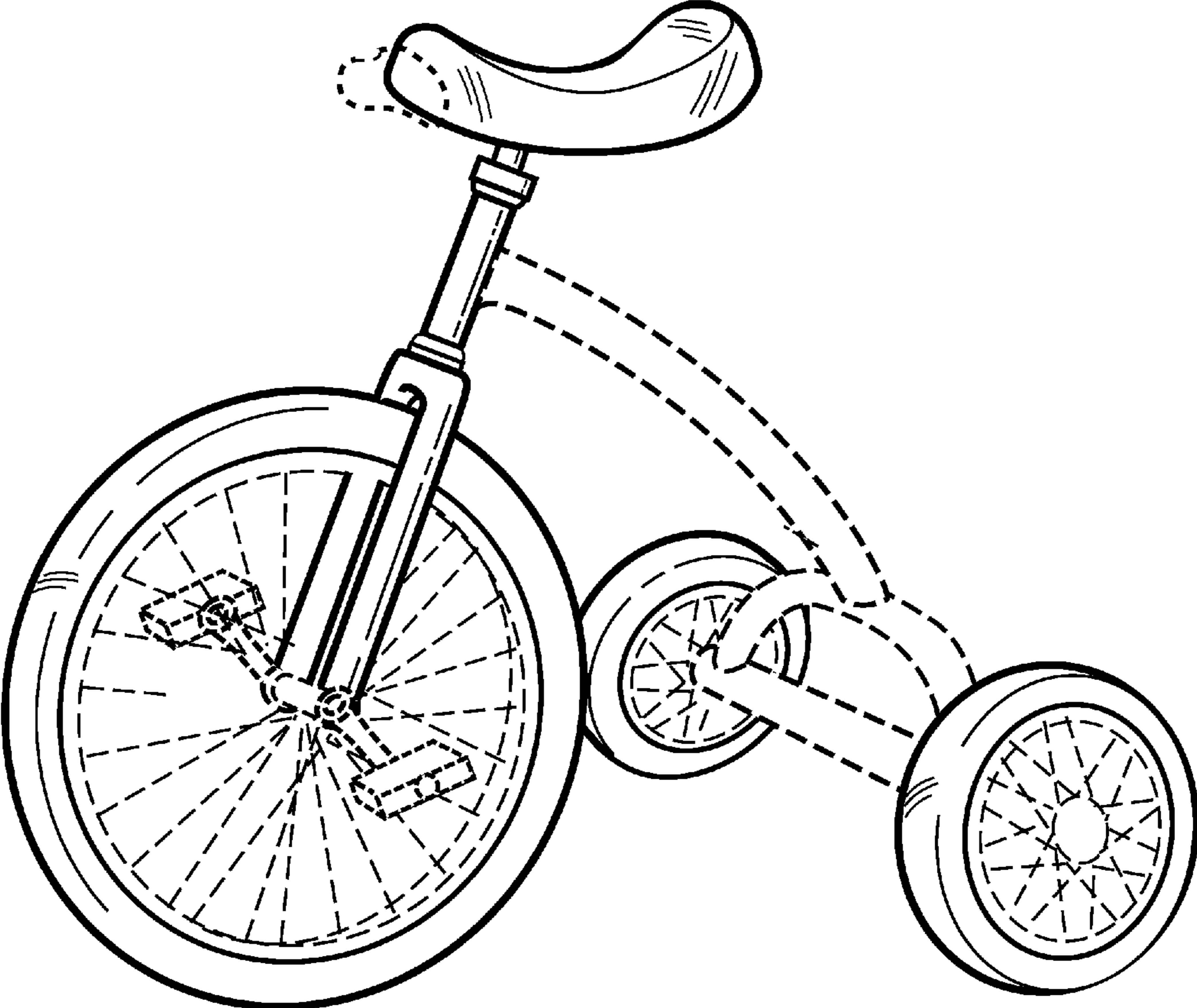


Fig. 2

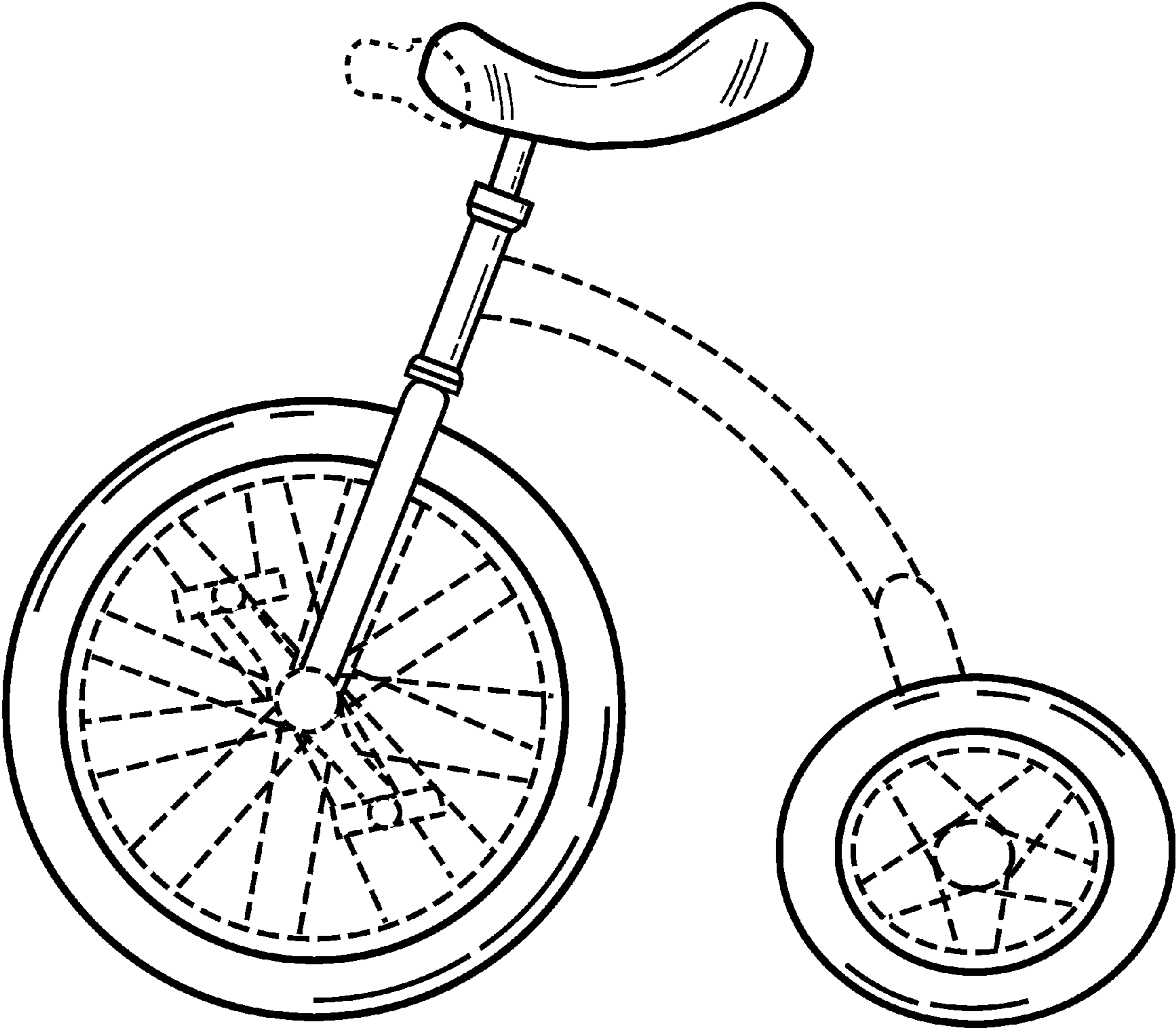


Fig. 3

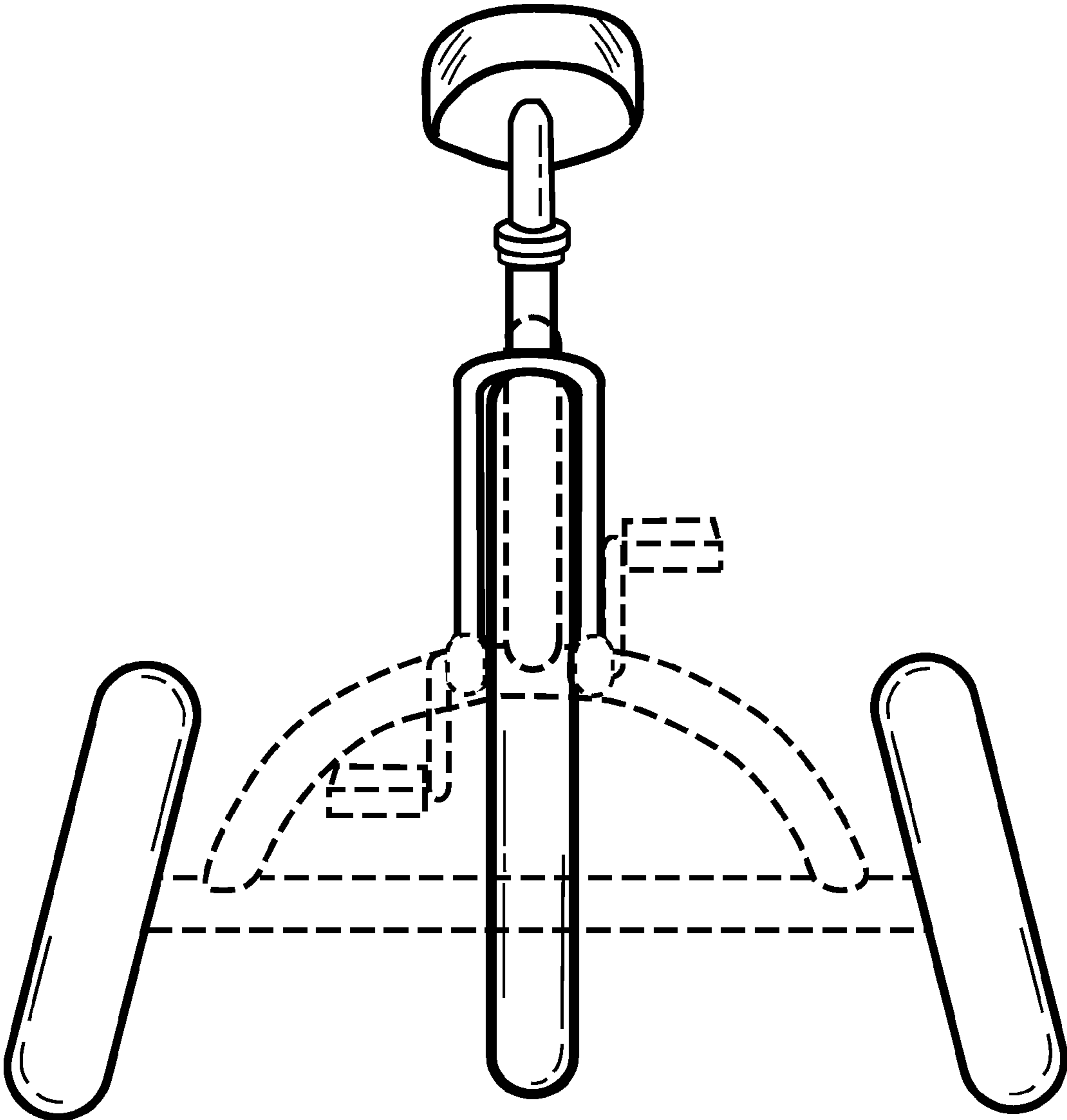


Fig. 4

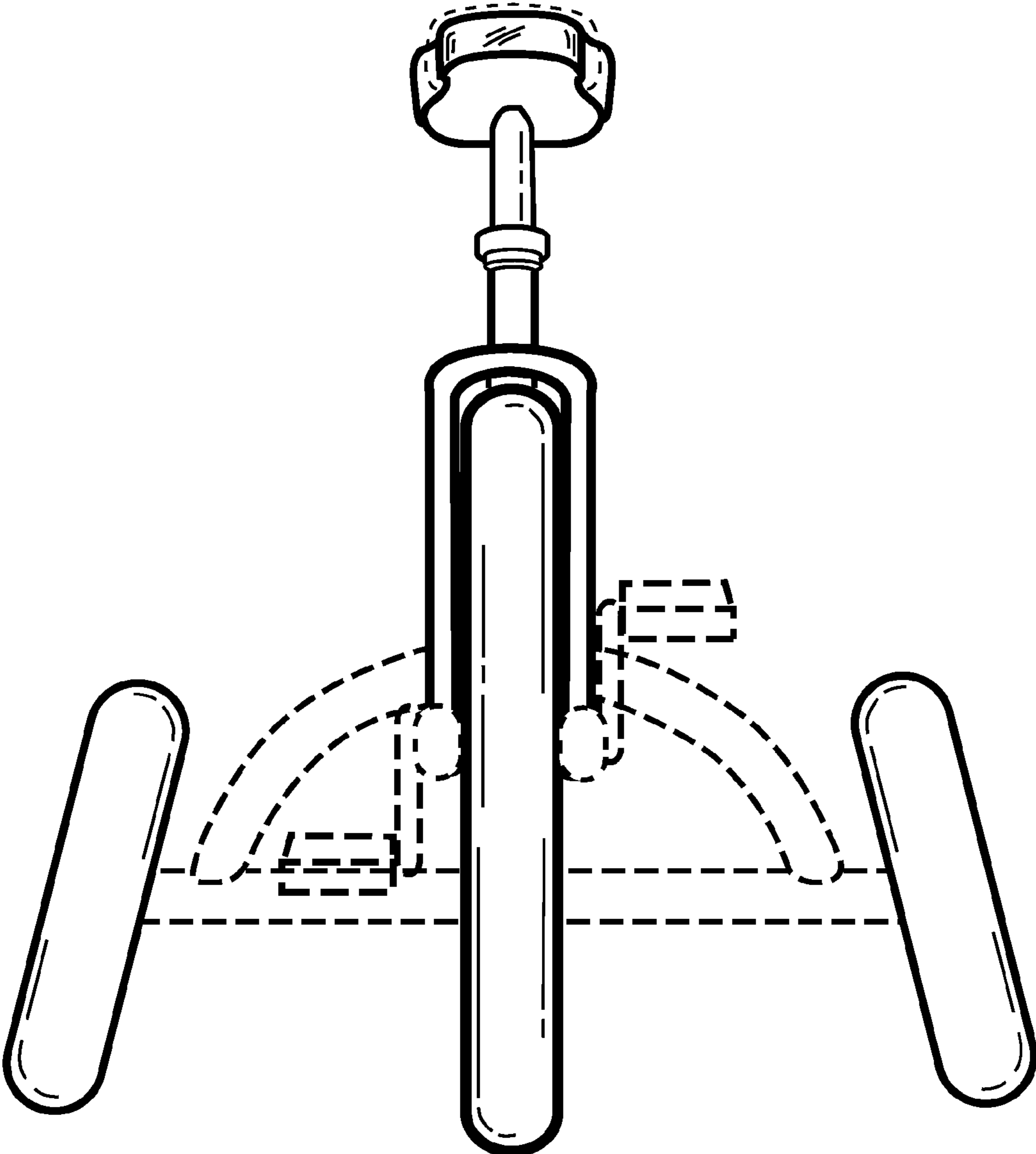


Fig. 5

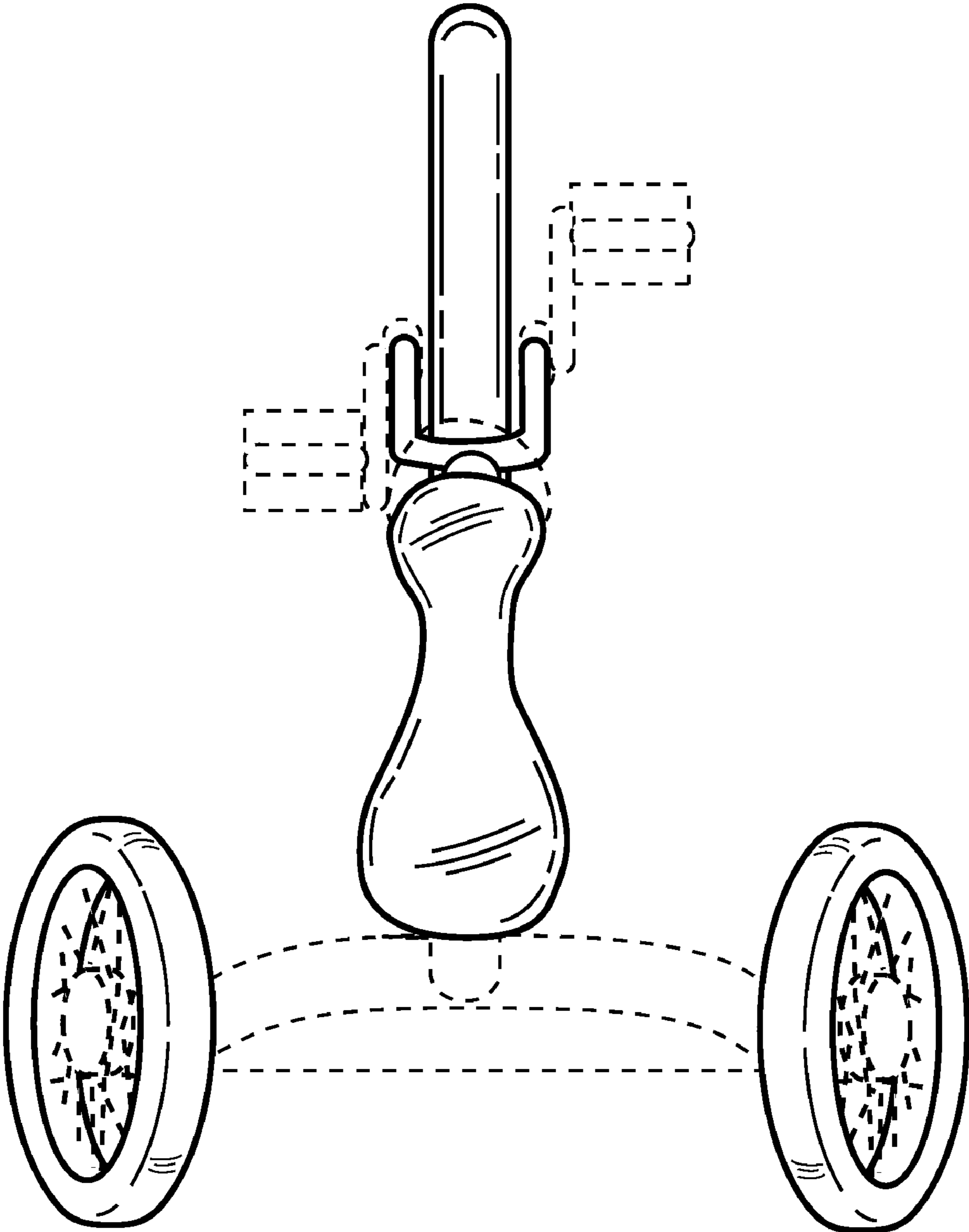




Fig. 6

