



US00D601455S

(12) **United States Design Patent**  
**Pfeiffer et al.**

(10) **Patent No.:** **US D601,455 S**

(45) **Date of Patent:** **\*\* Oct. 6, 2009**

(54) **VEHICLE, TOY, AND/OR OTHER REPLICAS**

(57) **CLAIM**

(75) Inventors: **Peter Pfeiffer**, Boeblingen (DE);  
**Gorden Wagener**, Stuttgart (DE);  
**Karlheinz Bauer**, Esslingen (DE);  
**Juergen Bollmann**, Schoenberg (DE)

The ornamental design for a vehicle, toy, and/or other replicas, as shown and described.

(73) Assignee: **Daimler AG**, Stuttgart (DE)

**DESCRIPTION**

(\*\*) Term: **14 Years**

This application is related to the following co-pending applications: Application Ser. No. 29/287,946, entitled "Vehicle, Toy, and/or Other Replicas;" Application Ser. No. 29/287,942, entitled "Hood for a Vehicle;" Application Ser. No. 29/287,939, entitled "Bumper for a Vehicle;" Application Ser. No. 29/287,940, entitled "Bumper for a Vehicle;" Application Ser. No. 29/287,941, entitled "Convertible Top for a Vehicle;" Application Ser. No. 29/324,438, entitled "Taillight for a Vehicle;" and Application Ser. No. 29/324,437, entitled "Headlight for a Vehicle."

(21) Appl. No.: **29/309,735**

(22) Filed: **Sep. 30, 2008**

**Related U.S. Application Data**

(63) Continuation-in-part of application No. 29/287,936, filed on Oct. 3, 2007, now abandoned.

FIG. 1 is a right, front perspective view of a embodiment of a vehicle, toy, and/or other replicas according to our novel design, the left, front perspective view being mirror symmetrical;

(51) **LOC (9) Cl.** ..... **12-08**

(52) **U.S. Cl.** ..... **D12/92**

(58) **Field of Classification Search** ..... D12/86,  
D12/90-92; 296/181.1, 181.5

FIG. 2 is a right, rear perspective view thereof;

FIG. 3 is a left, rear perspective view thereof;

See application file for complete search history.

FIG. 4 is a left side view thereof;

FIG. 5 is a right side view thereof;

(56) **References Cited**

**U.S. PATENT DOCUMENTS**

D452,460	S	*	12/2001	Sacco et al.	.....	D12/92
D464,592	S	*	10/2002	Sinkwitz	.....	D12/92
D485,211	S	*	1/2004	Pfeiffer et al.	.....	D12/92
D500,708	S	*	1/2005	Pfeiffer et al.	.....	D12/92
D552,015	S	*	10/2007	Pfeiffer	.....	D12/92
D569,768	S	*	5/2008	Bauer et al.	.....	D12/92
D588,499	S	*	3/2009	Pfeiffer	.....	D12/92

FIG. 6 is a front view thereof; and

FIG. 7 is a rear view thereof.

**OTHER PUBLICATIONS**

"AutoBild," Nr. 41, Oct. 12, 2007.

"AUTOSTrassenverkehr," Feb. 2008, pp. 6, 7.

"AUTOSTrassenverkehr," May 2008, p. 9.

FIG. 8 is a right, front perspective view of a second embodiment of a vehicle, toy, and/or other replicas according to our novel design, the left, front perspective view being a mirror symmetrical;

FIG. 9 is a right, rear perspective view of FIG. 8.

FIG. 10 is a left, rear perspective view of FIG. 8;

FIG. 11 is a left side view of FIG. 8;

FIG. 12 is a right side view of FIG. 8;

FIG. 13 is a front view of FIG. 8; and,

FIG. 14 is a rear view of FIG. 8.

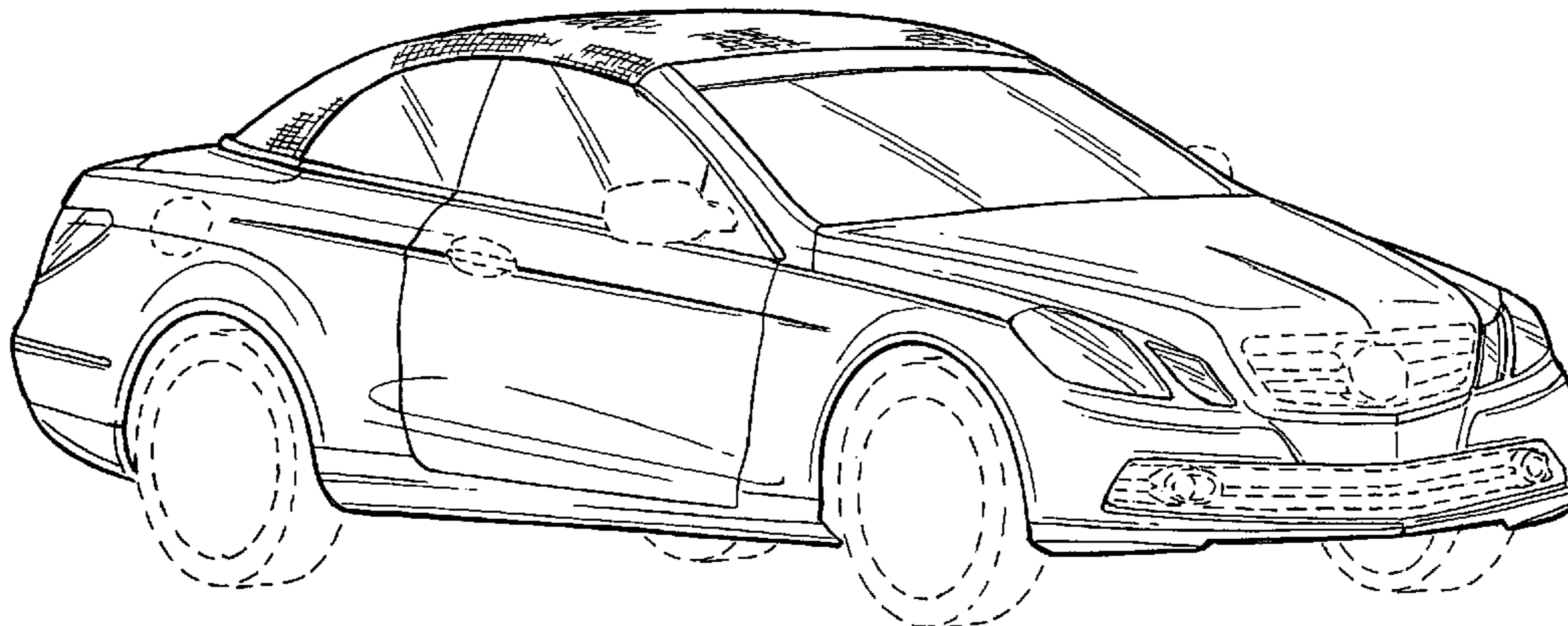
\* cited by examiner

The broken lines are for illustrative purposes only and form no part of the claimed design.

*Primary Examiner*—Melody N Brown

(74) *Attorney, Agent, or Firm*—Crowell & Moring LLP

**1 Claim, 12 Drawing Sheets**



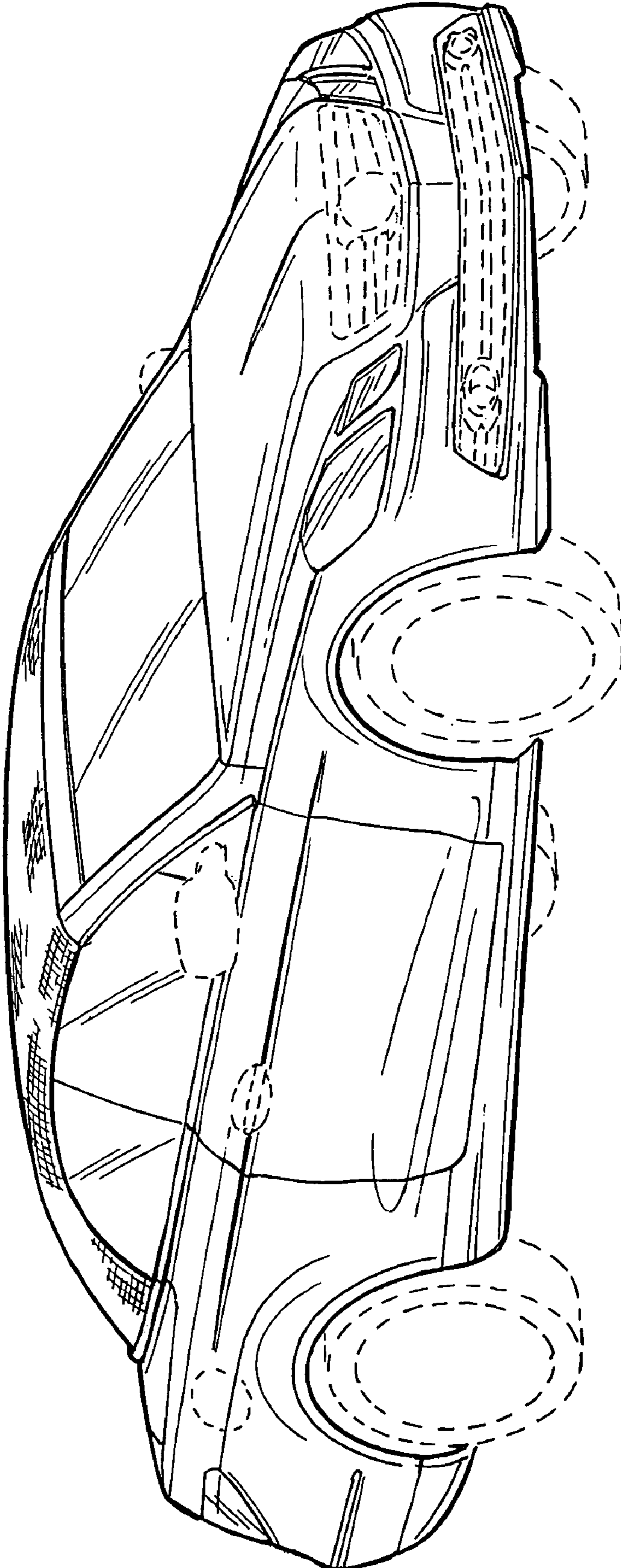


FIG. 1

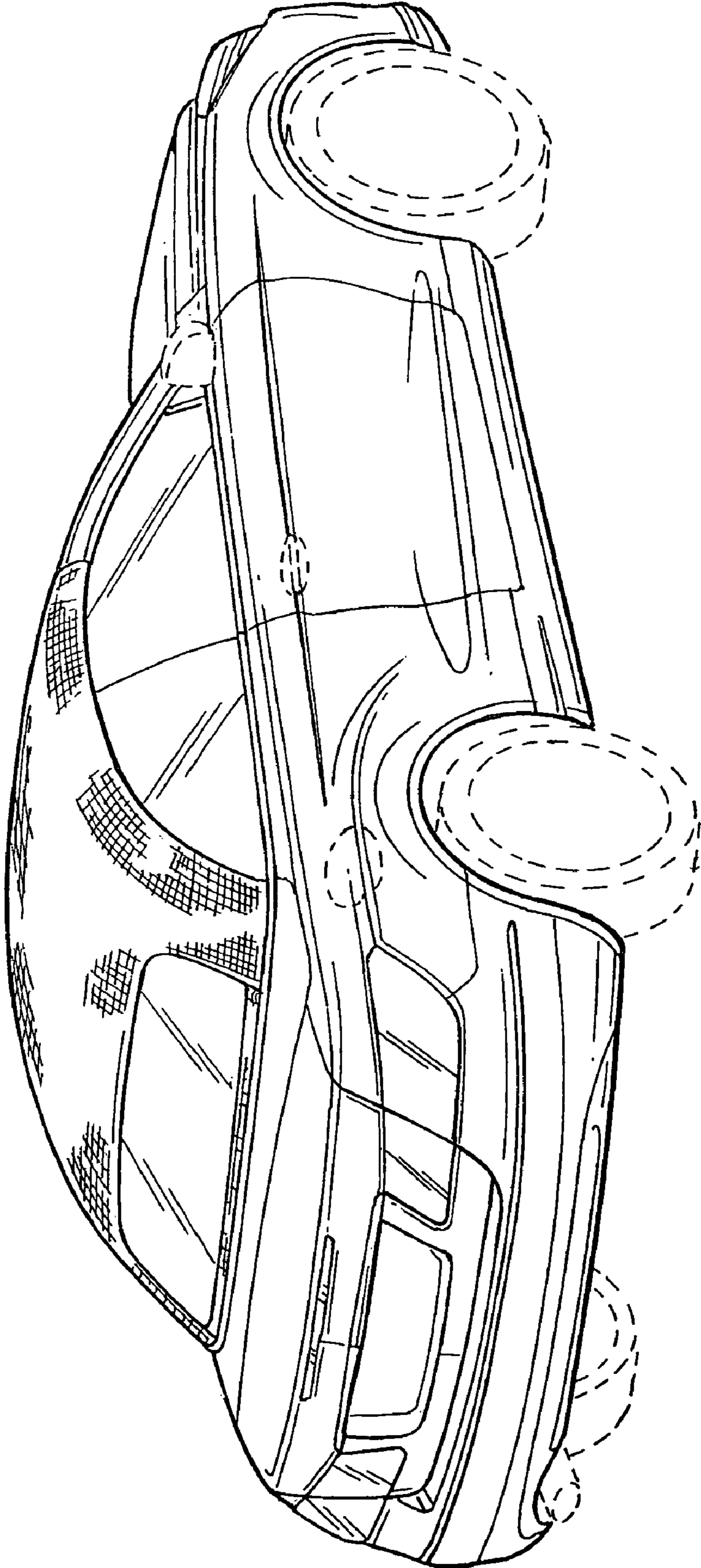


FIG. 2

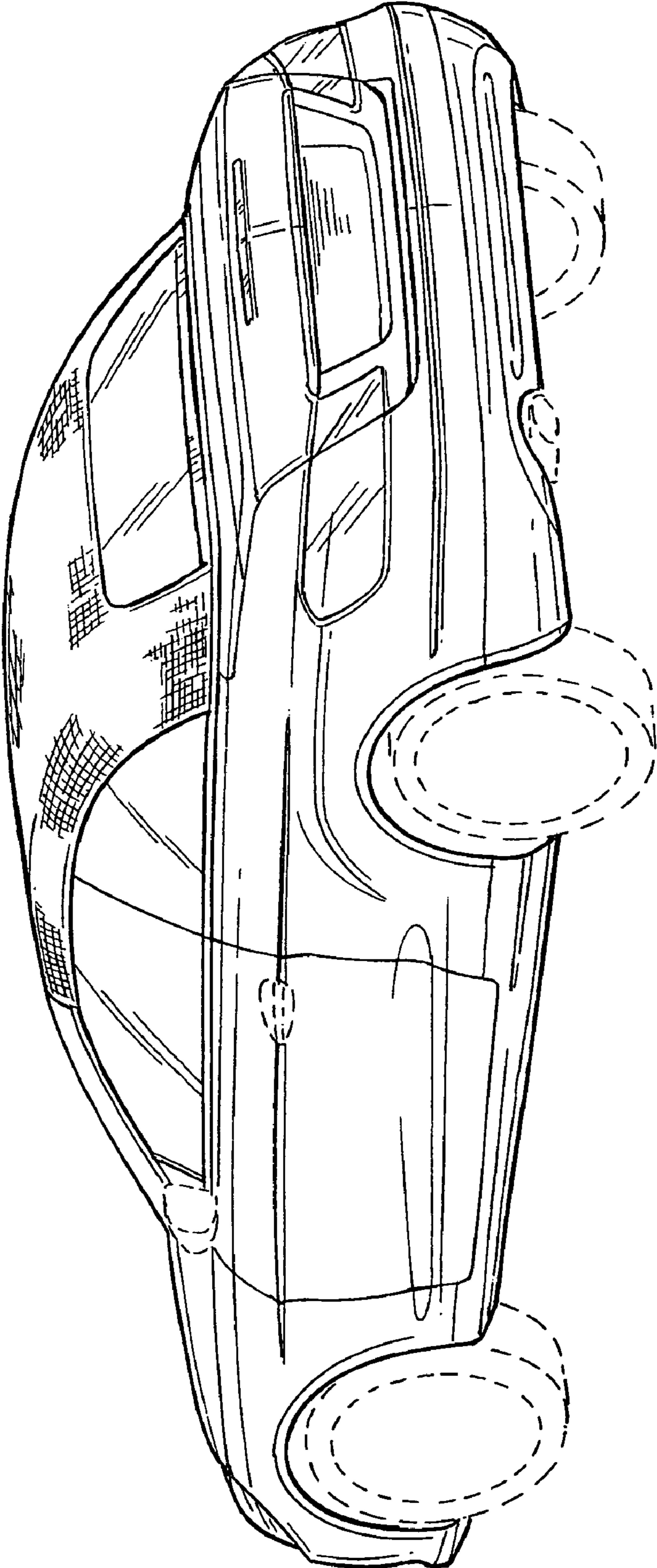


FIG. 3

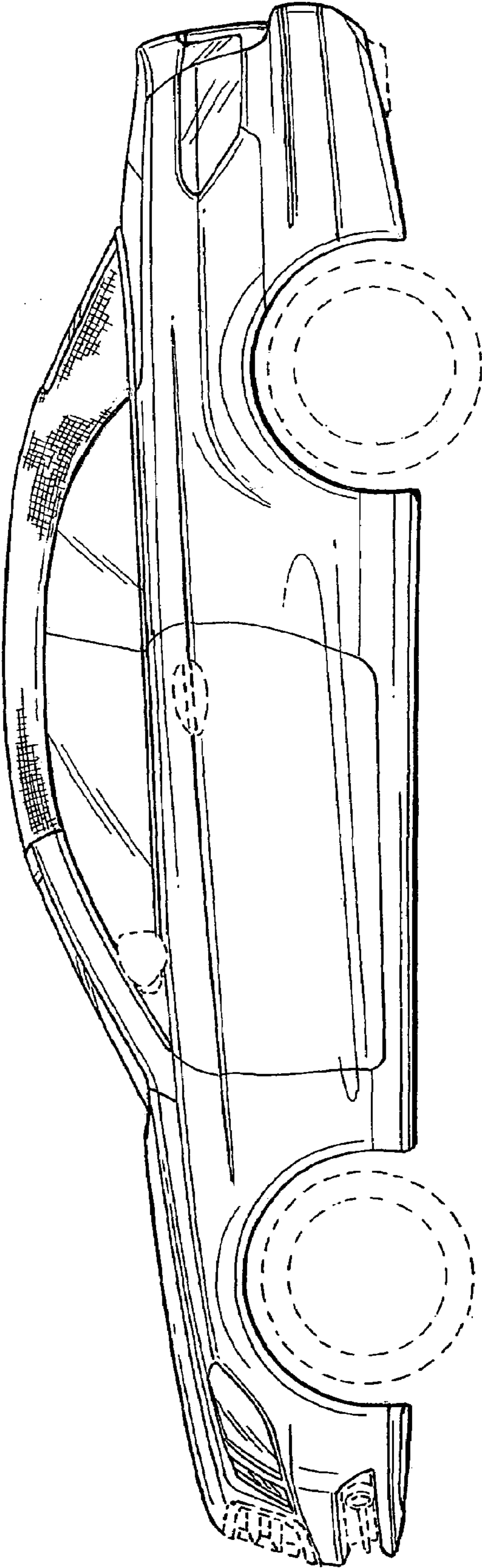


FIG. 4

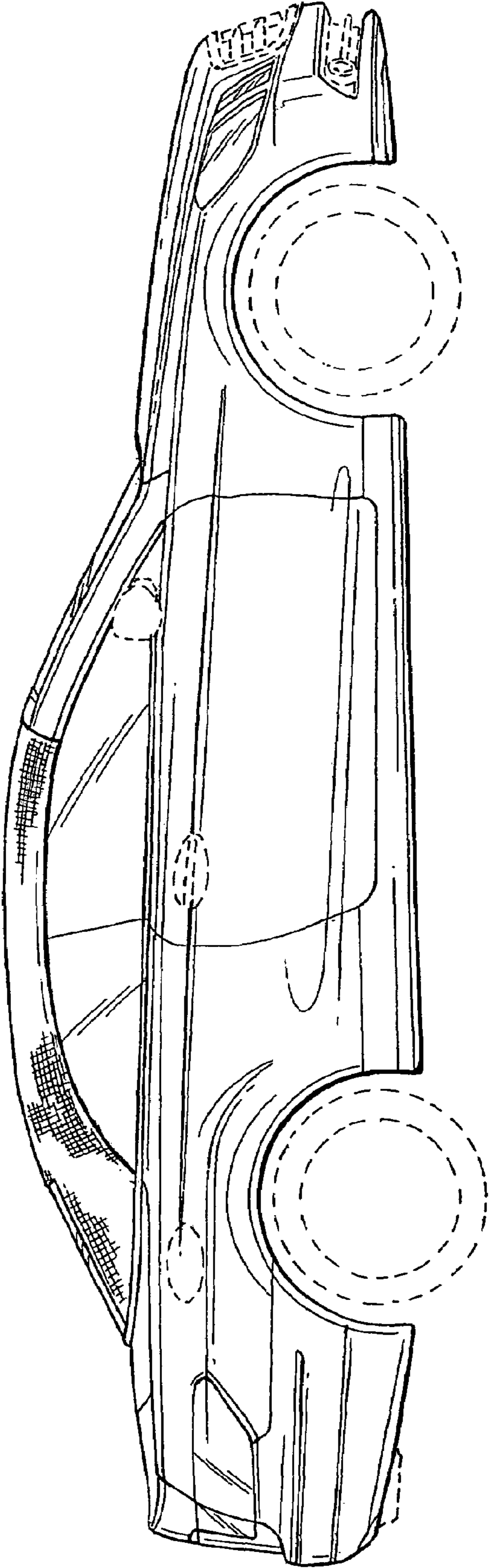


FIG. 5

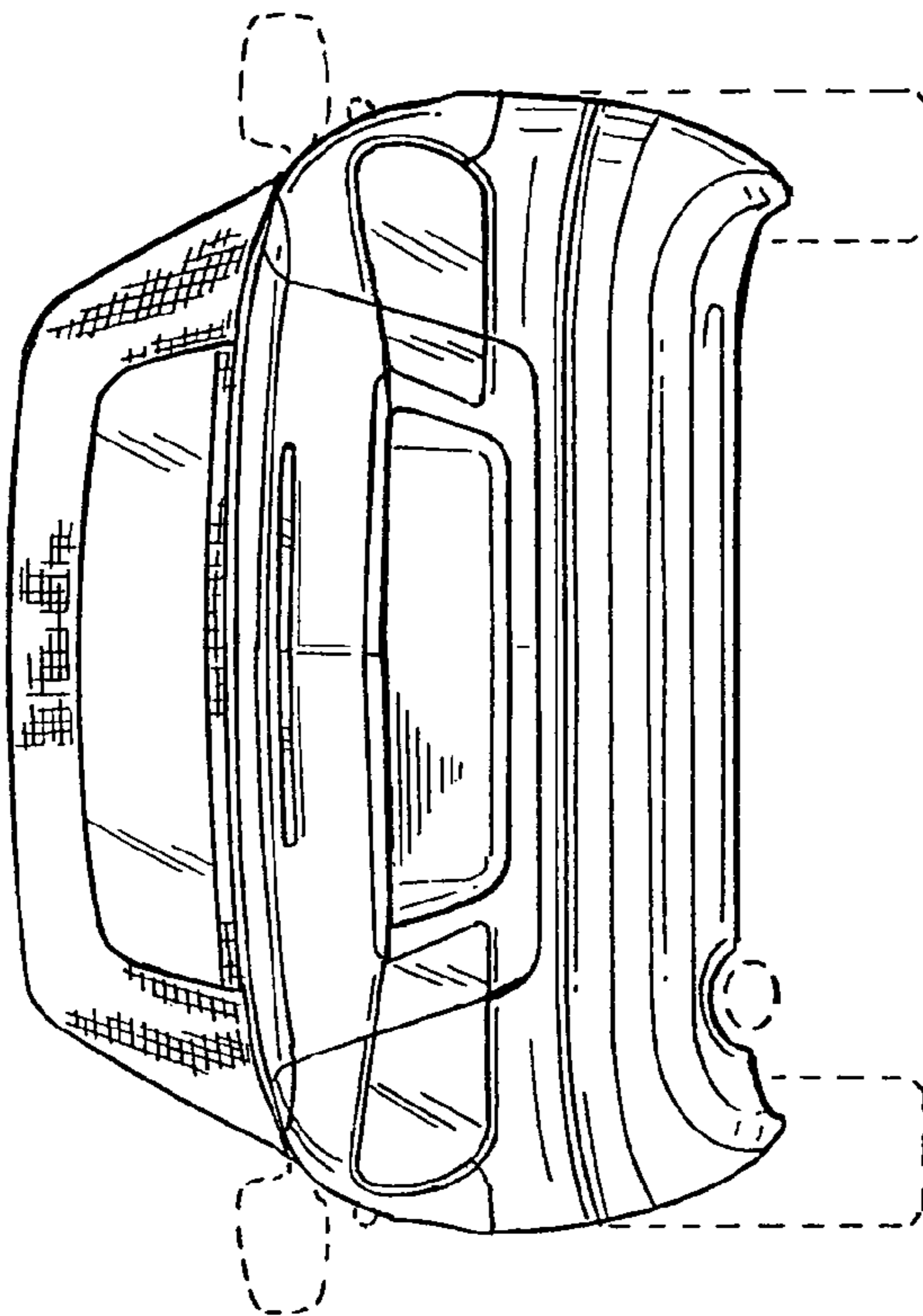


FIG. 6

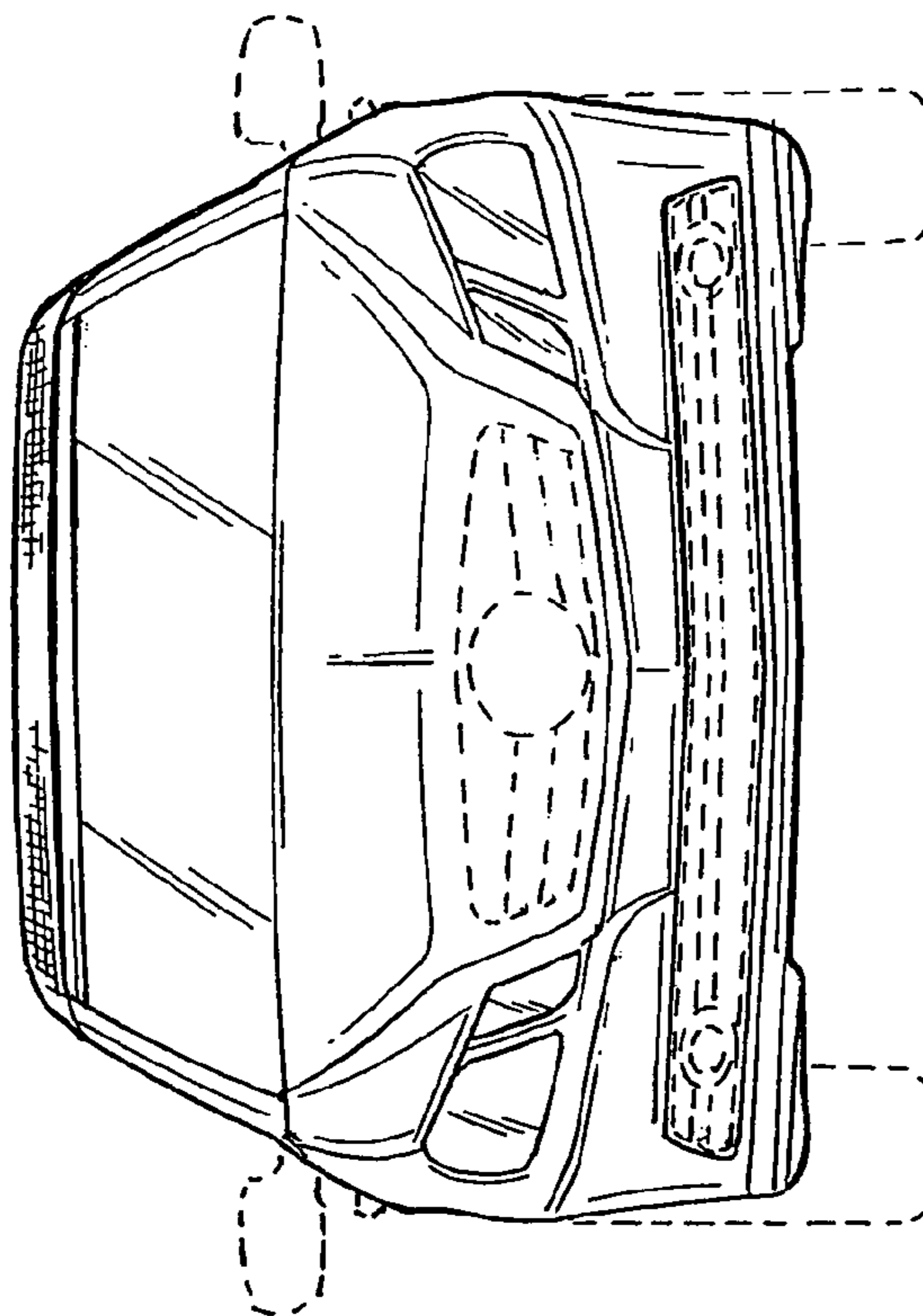


FIG. 7

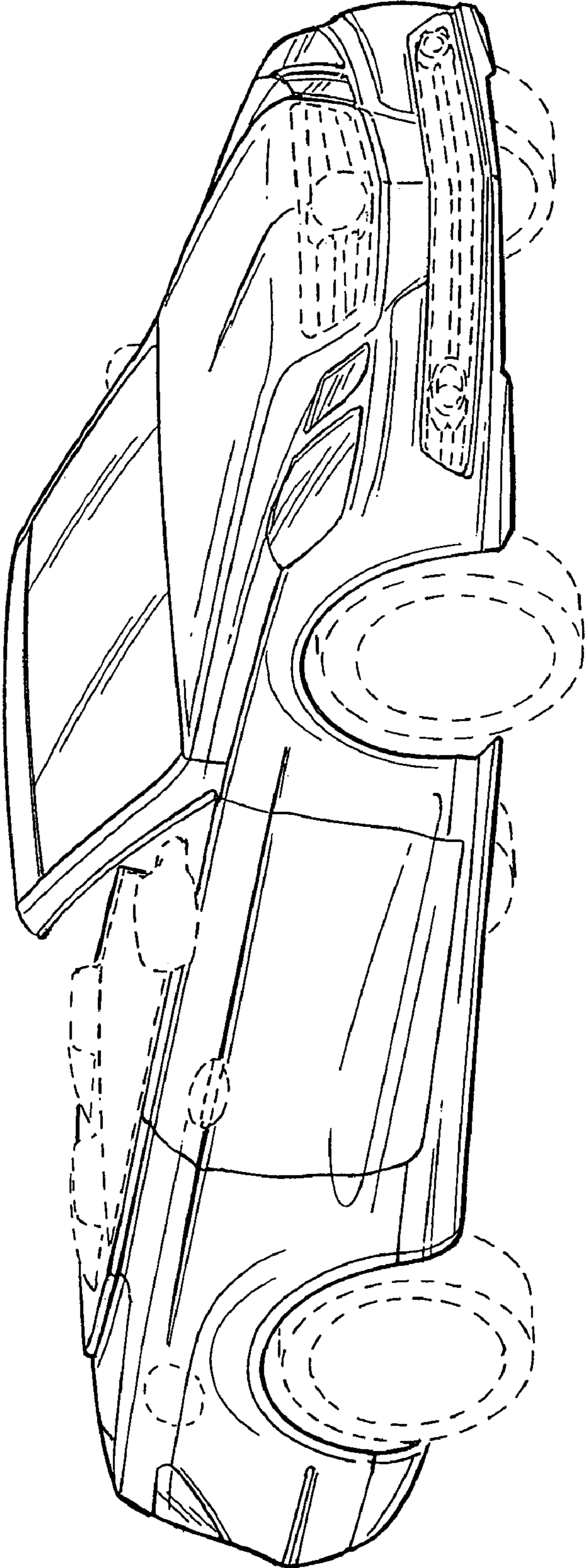


FIG. 8



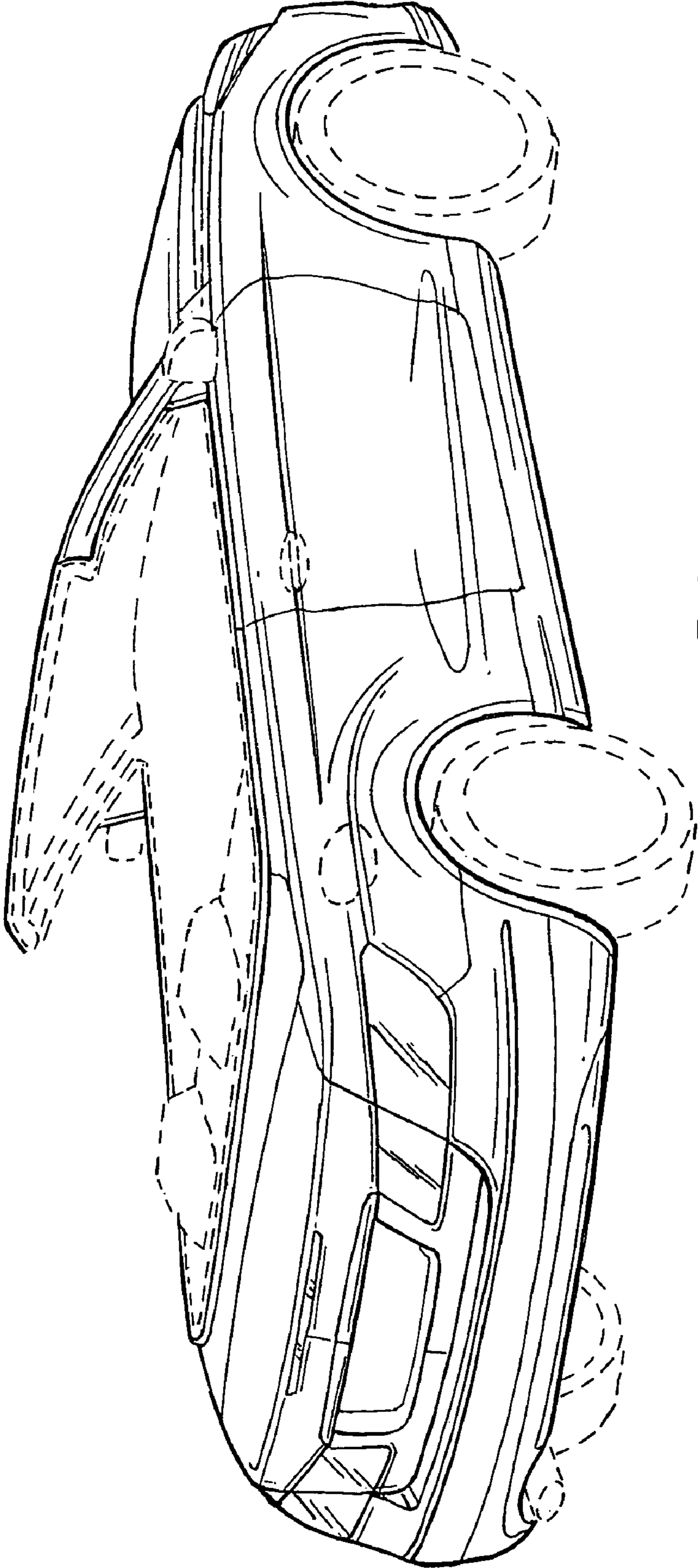


FIG. 9

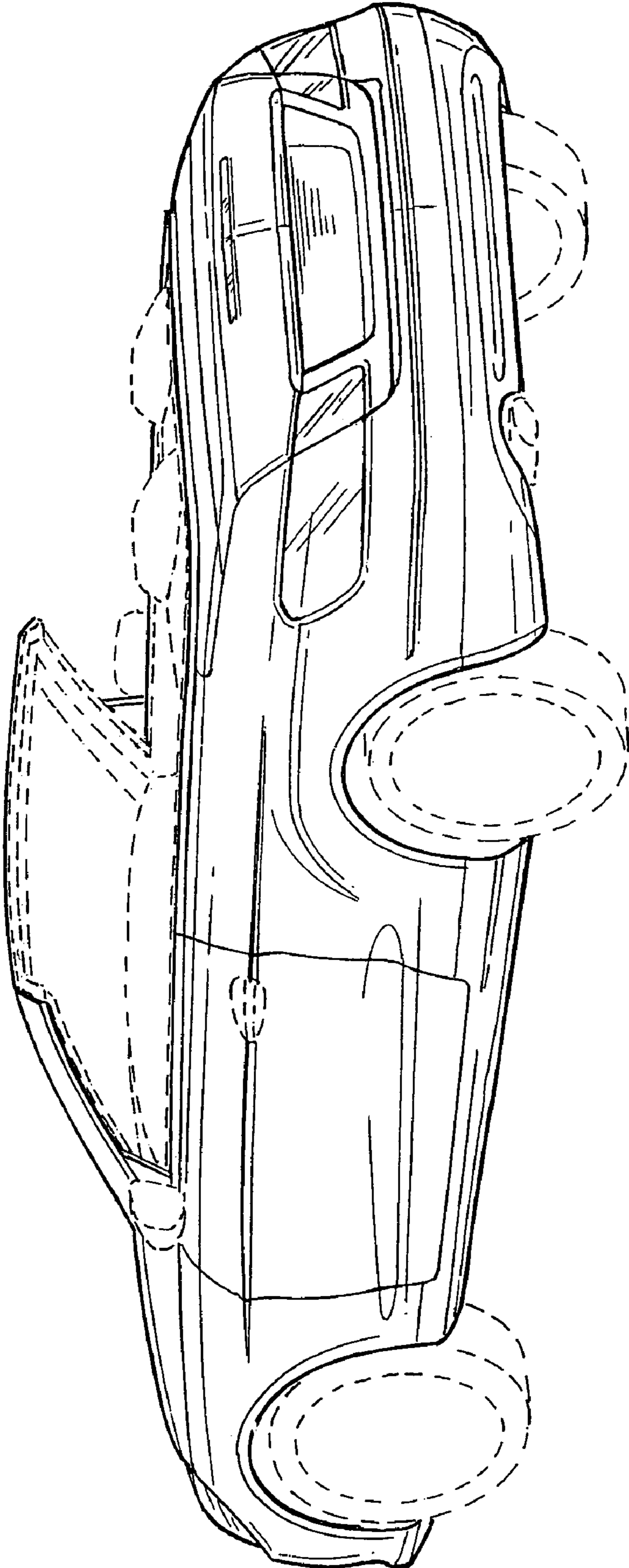


FIG. 10

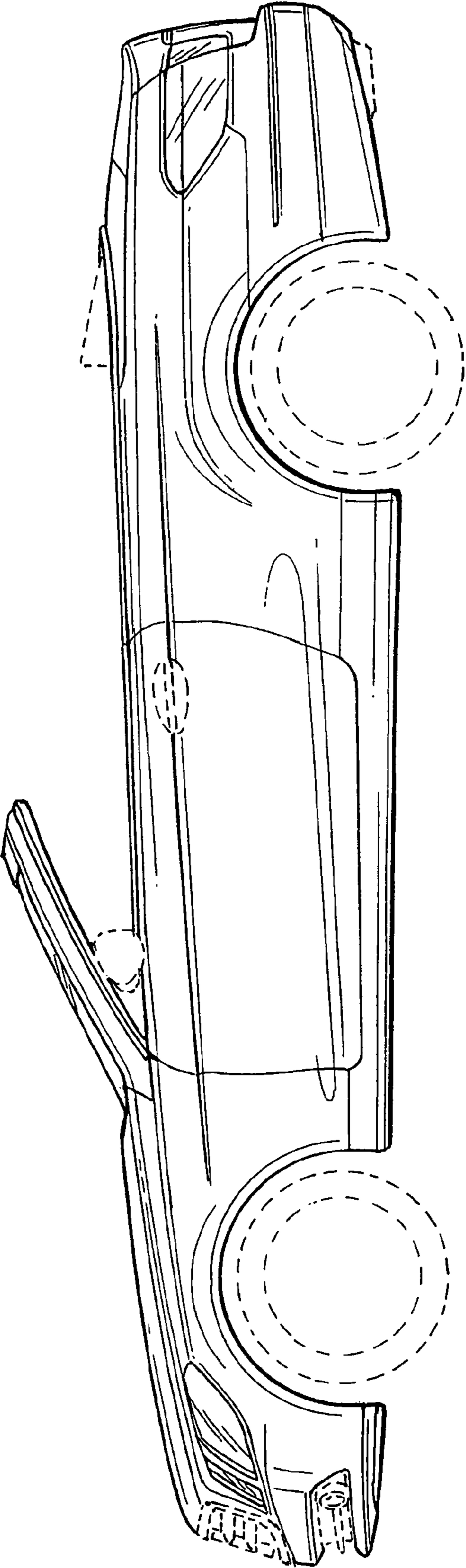


FIG. 11

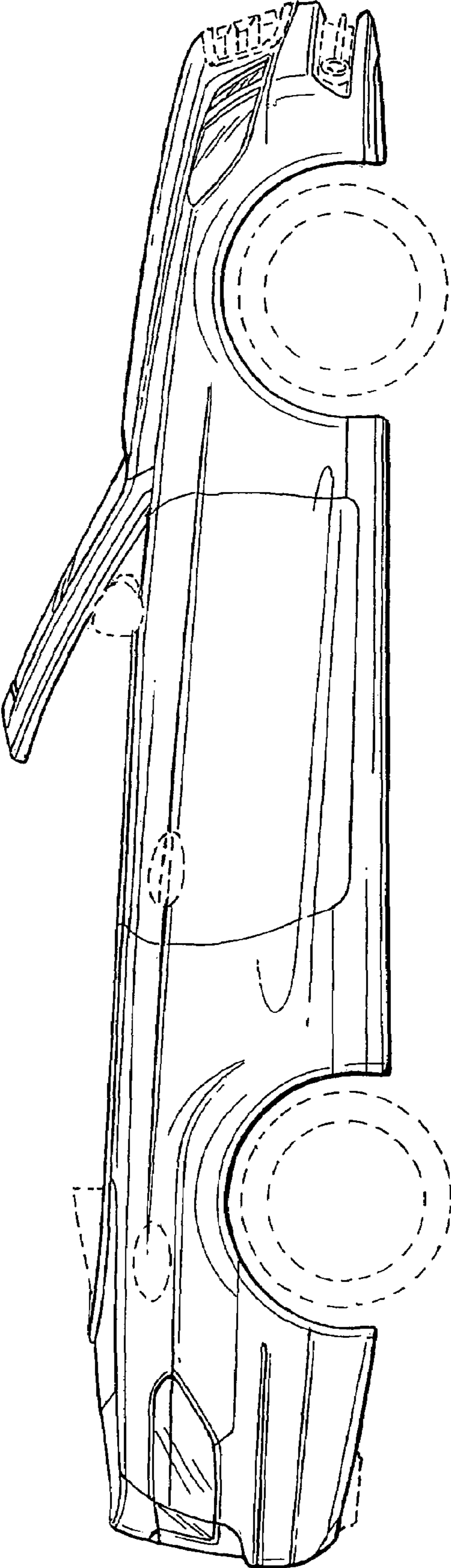


FIG. 12

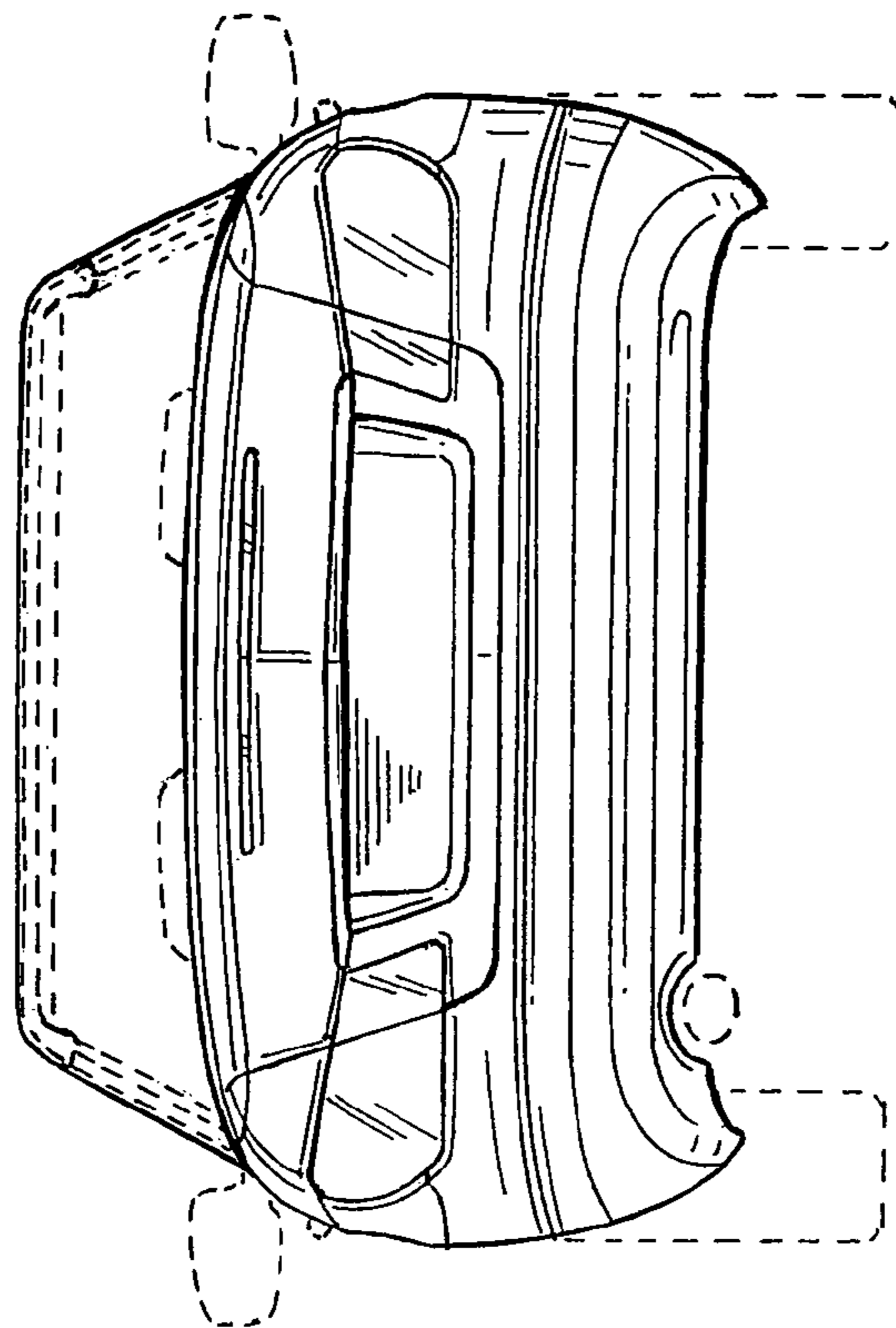


FIG. 14

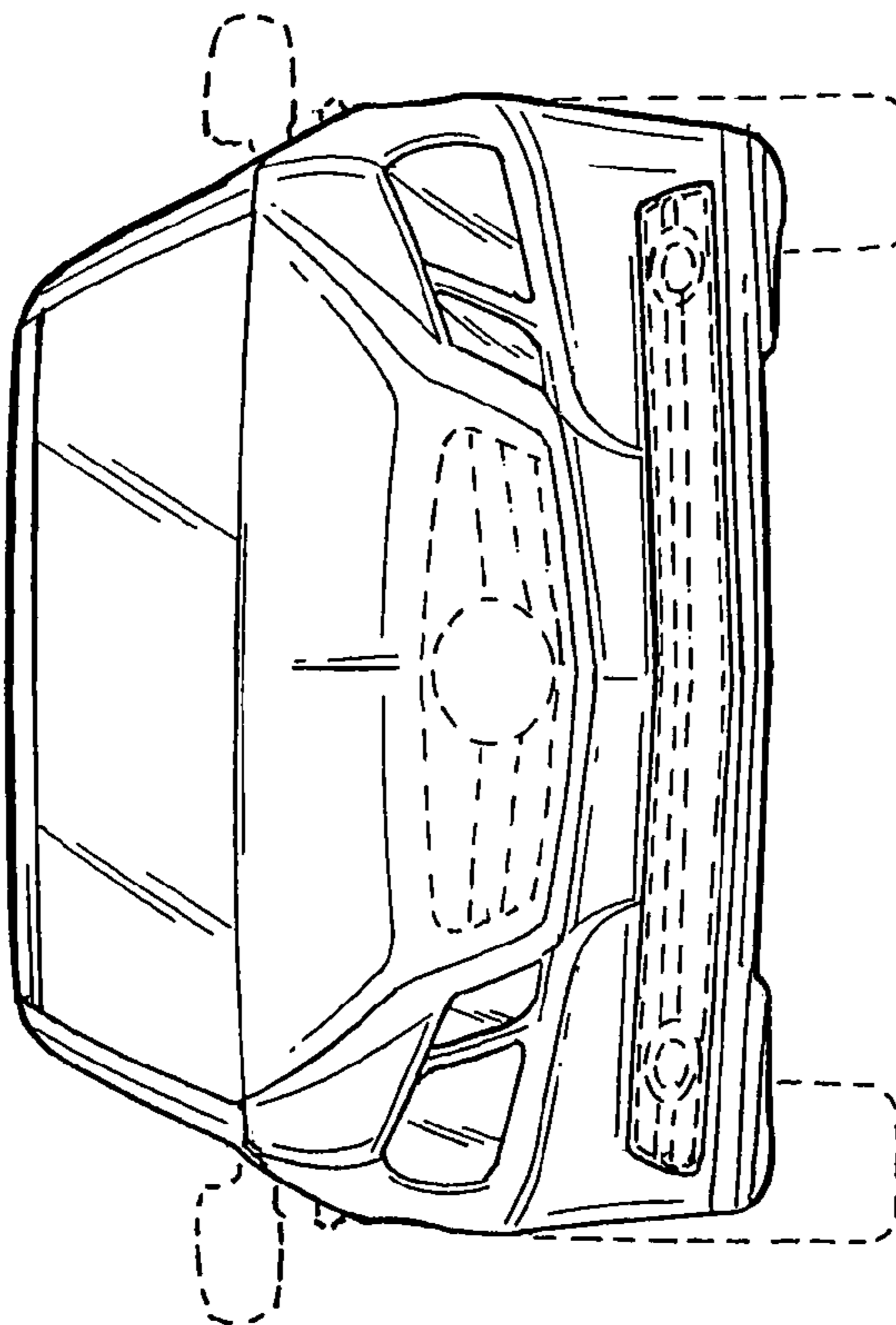


FIG. 13