



US00D601444S

(12) **United States Design Patent**
Jones et al.

(10) **Patent No.:** **US D601,444 S**
(45) **Date of Patent:** **** Oct. 6, 2009**

(54) **CARTRIDGE FOR USE IN HAND-HELD METER**

(75) Inventors: **Jeffrey M. Jones**, Sunnyvale, CA (US);
Raul Escutia, Daly City, CA (US);
Craig M. Litherland, Cupertino, CA (US)

(73) Assignee: **Intuity Medical, Inc.**, Sunnyvale, CA (US)

(**) Term: **14 Years**

(21) Appl. No.: **29/300,933**

(22) Filed: **May 30, 2008**

(51) **LOC (9) Cl.** **10-04**

(52) **U.S. Cl.** **D10/81; D10/103; D24/216; D24/231**

(58) **Field of Classification Search** **D10/81, D10/103; D24/216, 231; 204/400, 403.01; 600/583-584**

See application file for complete search history.

(56) **References Cited**

U.S. PATENT DOCUMENTS

D389,761 S *	1/1998	Thomas	D10/103
D511,214 S *	11/2005	Sasano et al.	D10/103
D519,868 S *	5/2006	Sasano et al.	D10/103
D580,068 S *	11/2008	Shigesada et al.	D24/216
D580,558 S *	11/2008	Shigesada et al.	D24/216
2006/0052724 A1 *	3/2006	Roe	600/583
2006/0064035 A1 *	3/2006	Wang et al.	600/583
2006/0161078 A1 *	7/2006	Schrage	600/583
2007/0060842 A1 *	3/2007	Alvarez-Icaza et al.	600/583
2007/0179405 A1 *	8/2007	Emery et al.	600/583

* cited by examiner

Primary Examiner—Antoine D Davis

(74) *Attorney, Agent, or Firm*—Buchanan Ingersoll & Rooney PC

(57) **CLAIM**

The ornamental design for a cartridge for use in a hand-held meter, as shown and described.

DESCRIPTION

FIG. 1 is a front perspective view of a cartridge for use in a hand-held meter according to a first embodiment of our new design.

FIG. 2 is a rear perspective view thereof.

FIG. 3 is a front elevational view thereof.

FIG. 4 is a rear elevational view thereof.

FIG. 5 is a left side elevational view thereof, the right side view being a mirror image.

FIG. 6 is a top plan view thereof, the bottom view being a mirror image.

FIG. 7 is a front perspective view of a cartridge for use in a hand-held meter with the outer film removed according to a second embodiment of our new design.

FIG. 8 is a rear perspective view thereof.

FIG. 9 is a front elevational view thereof.

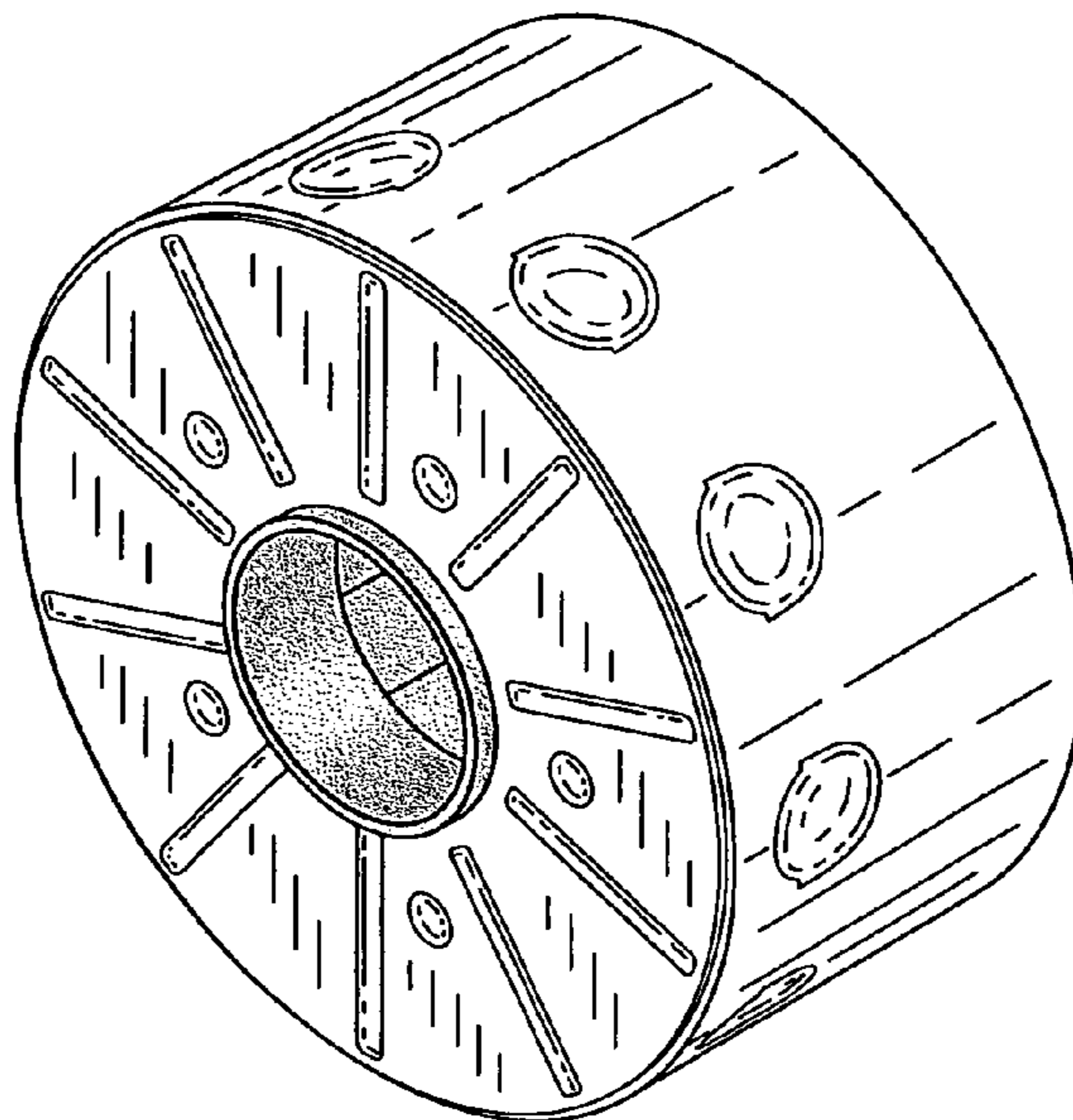
FIG. 10 is a rear elevational view thereof.

FIG. 11 is a left side elevational view thereof, the right side view being a mirror image; and,

FIG. 12 is a top plan view thereof, the bottom view being a mirror image.

The broken line showing of structural features is included for the purpose of illustrating non-claimed subject matter and forms no part of the claimed design.

1 Claim, 6 Drawing Sheets



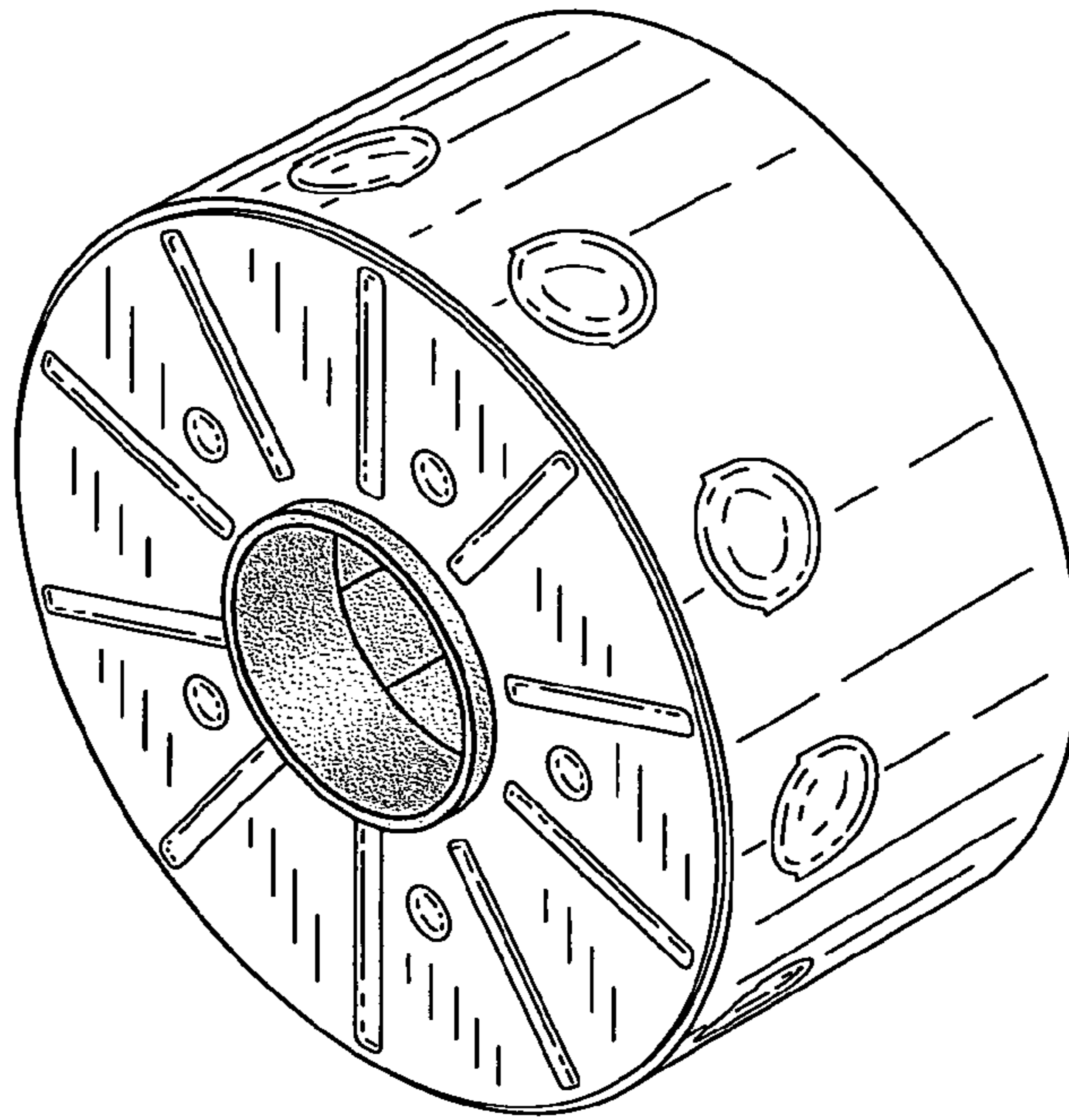


FIG. 1

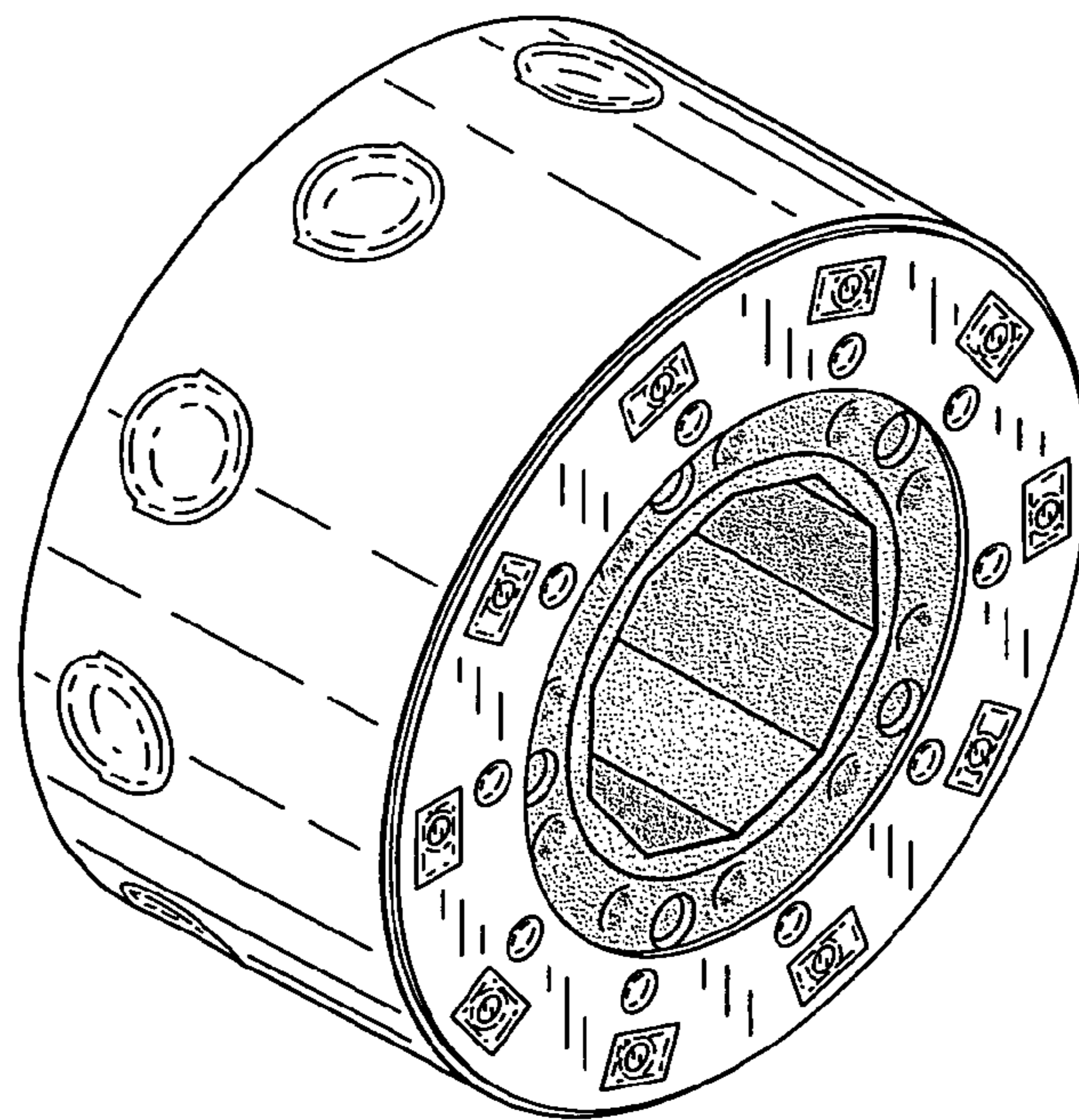


FIG. 2

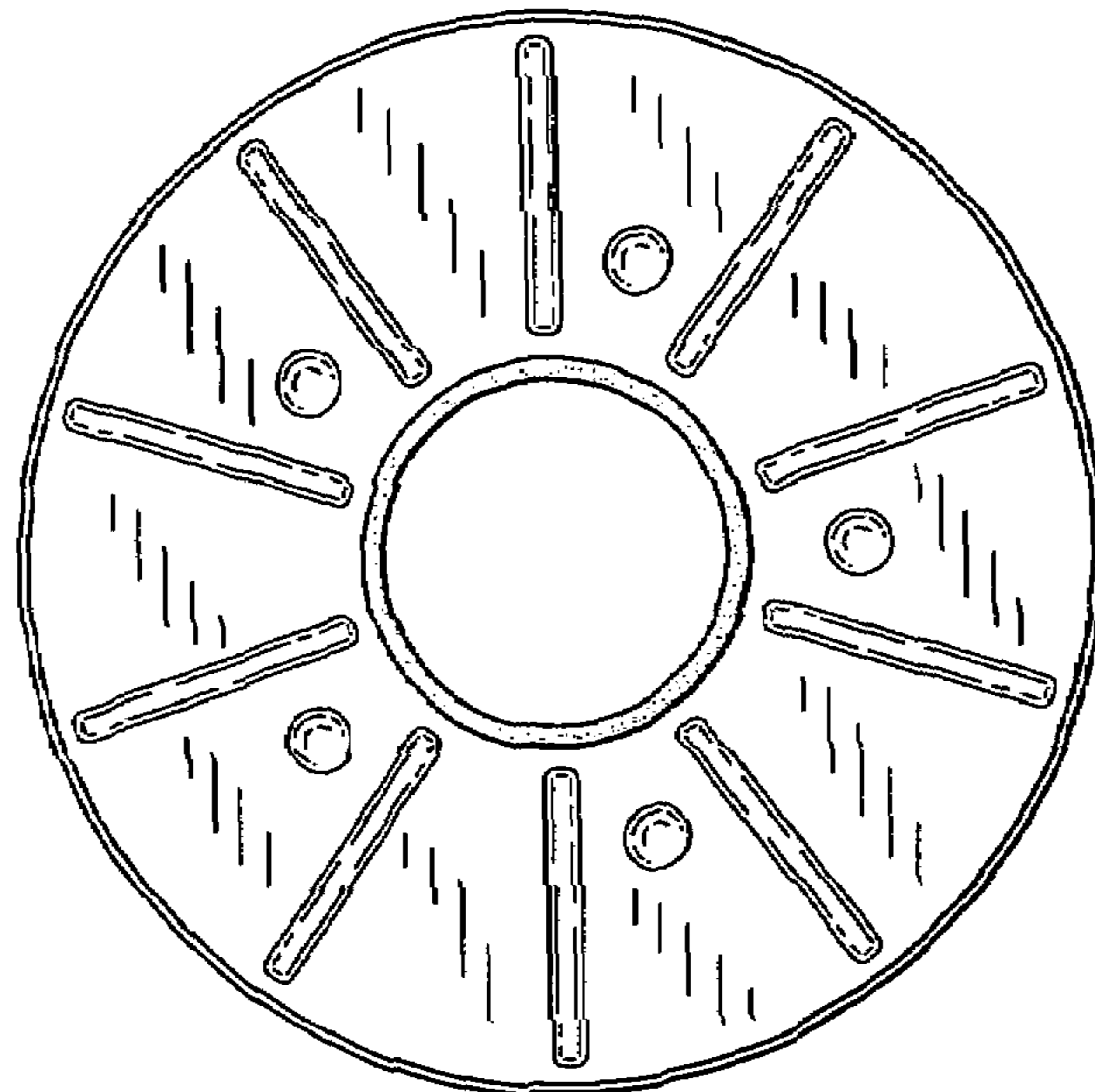


FIG. 3

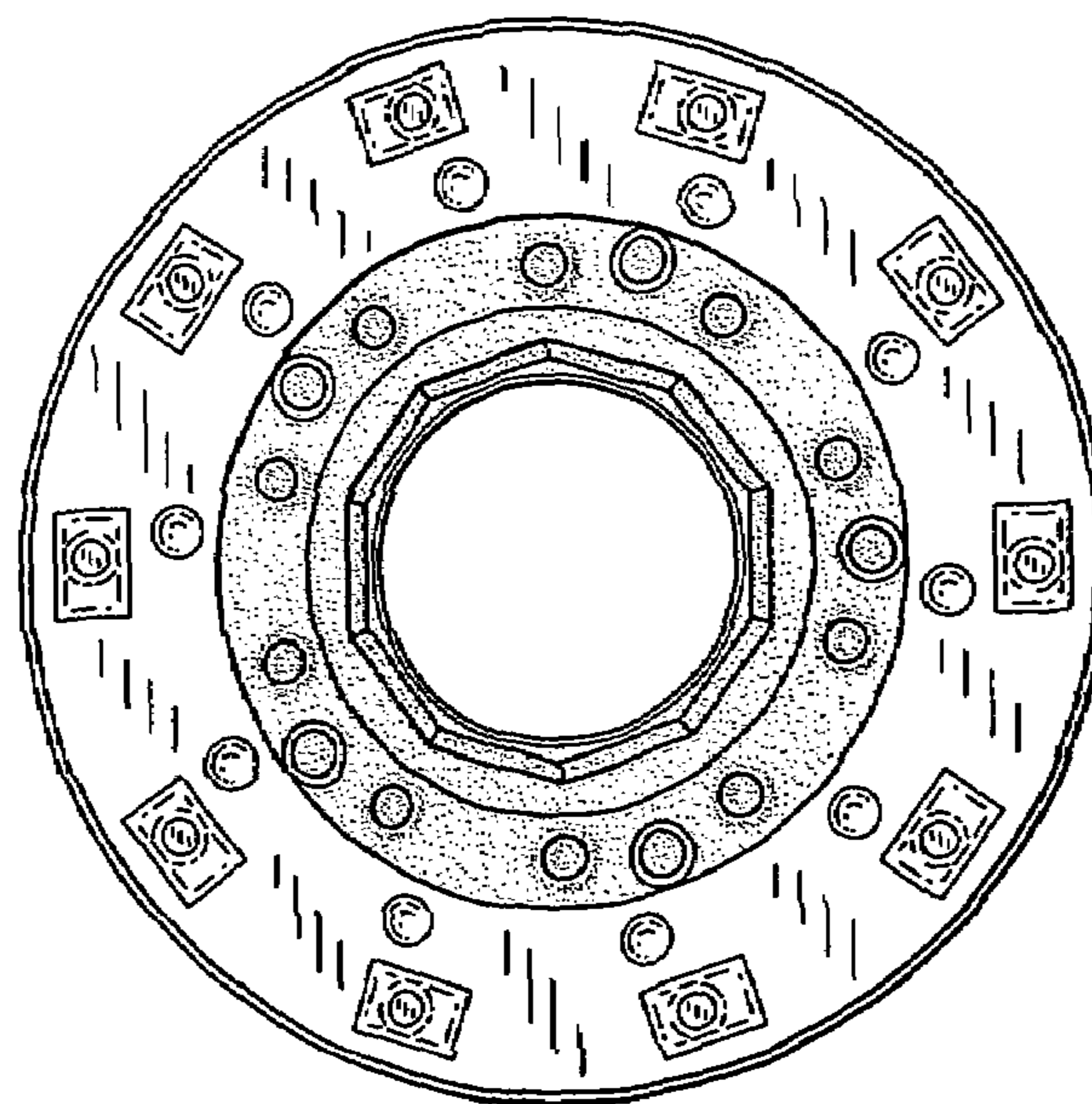


FIG. 4

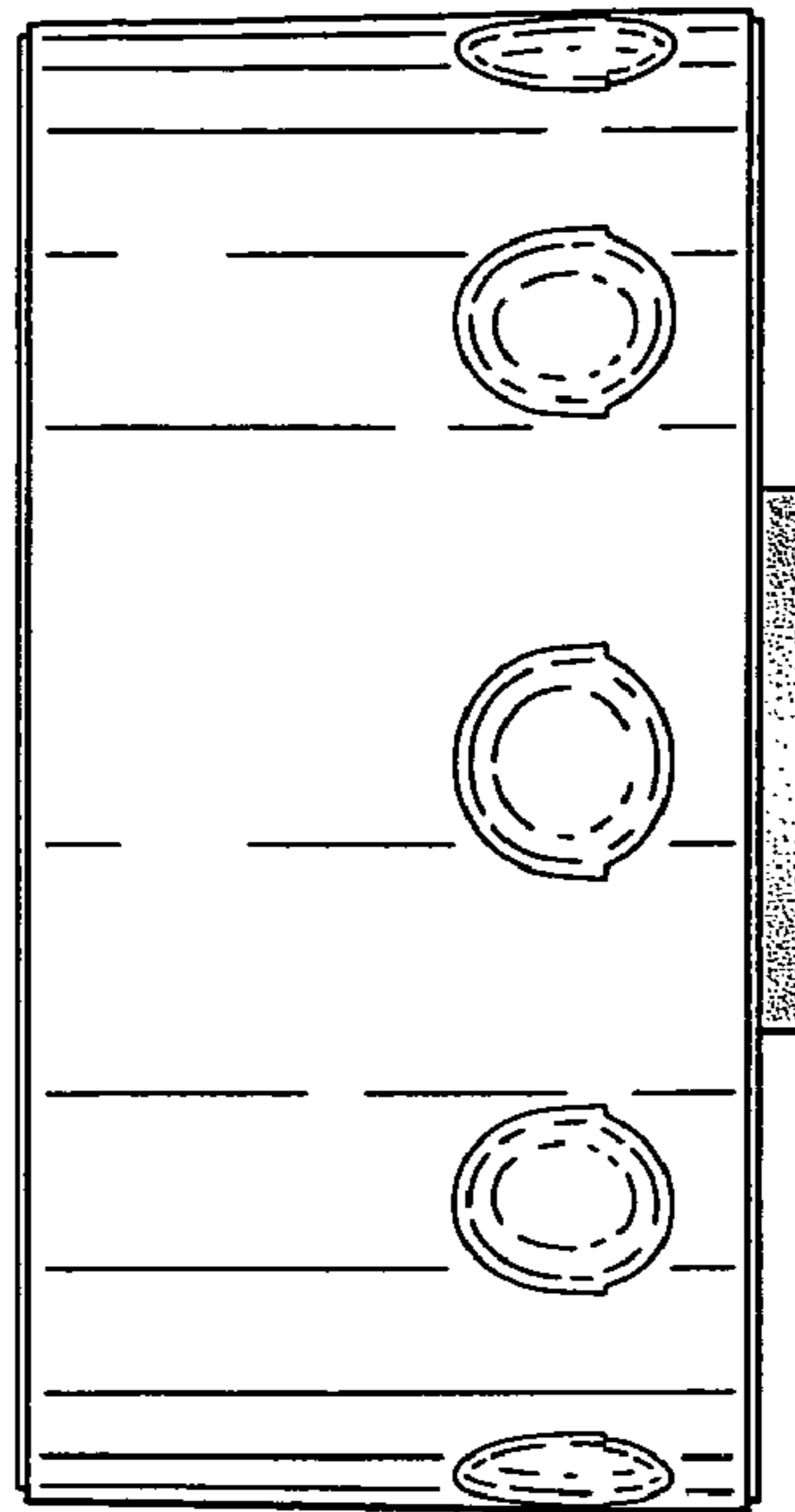


FIG. 5

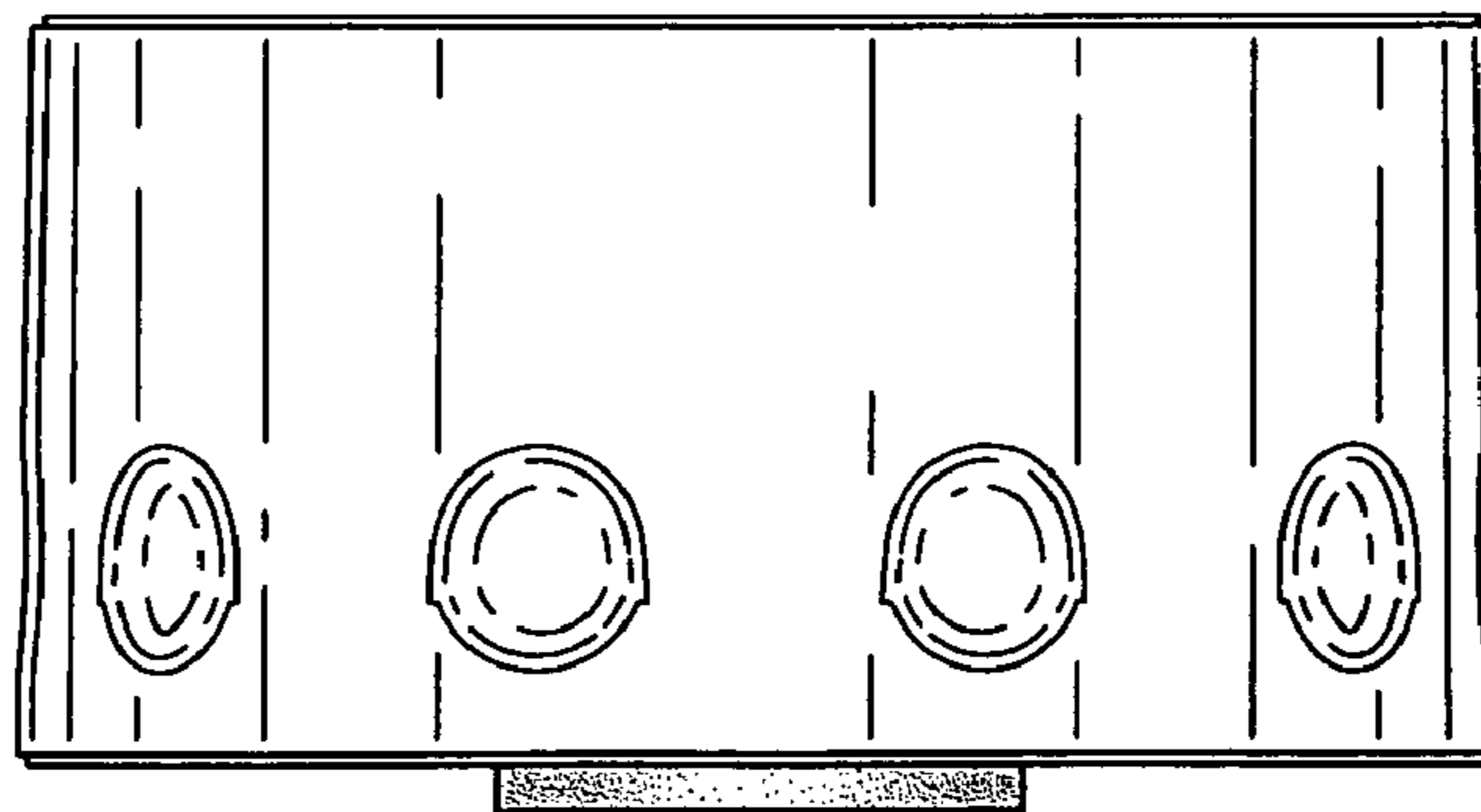


FIG. 6

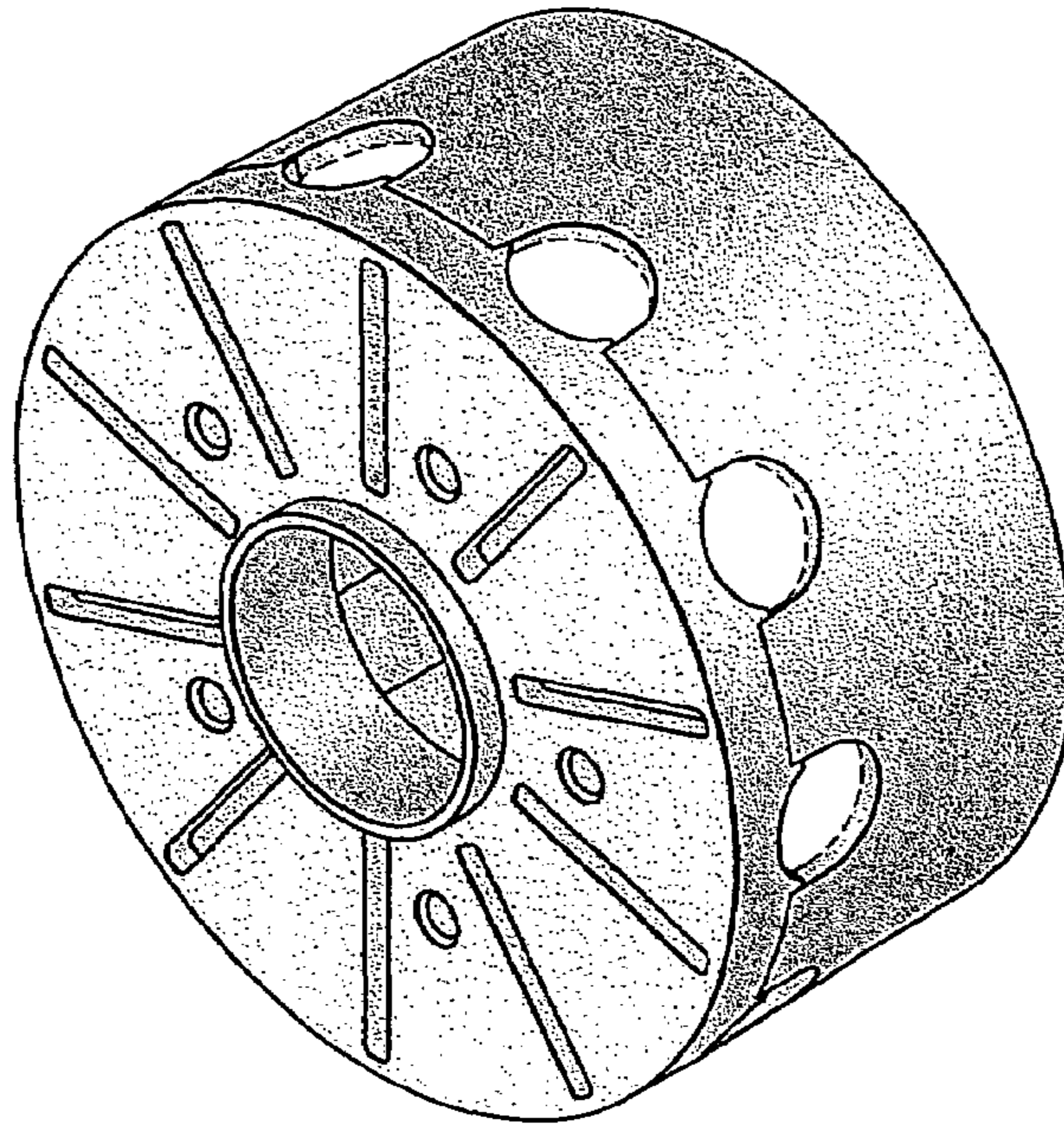


FIG. 7

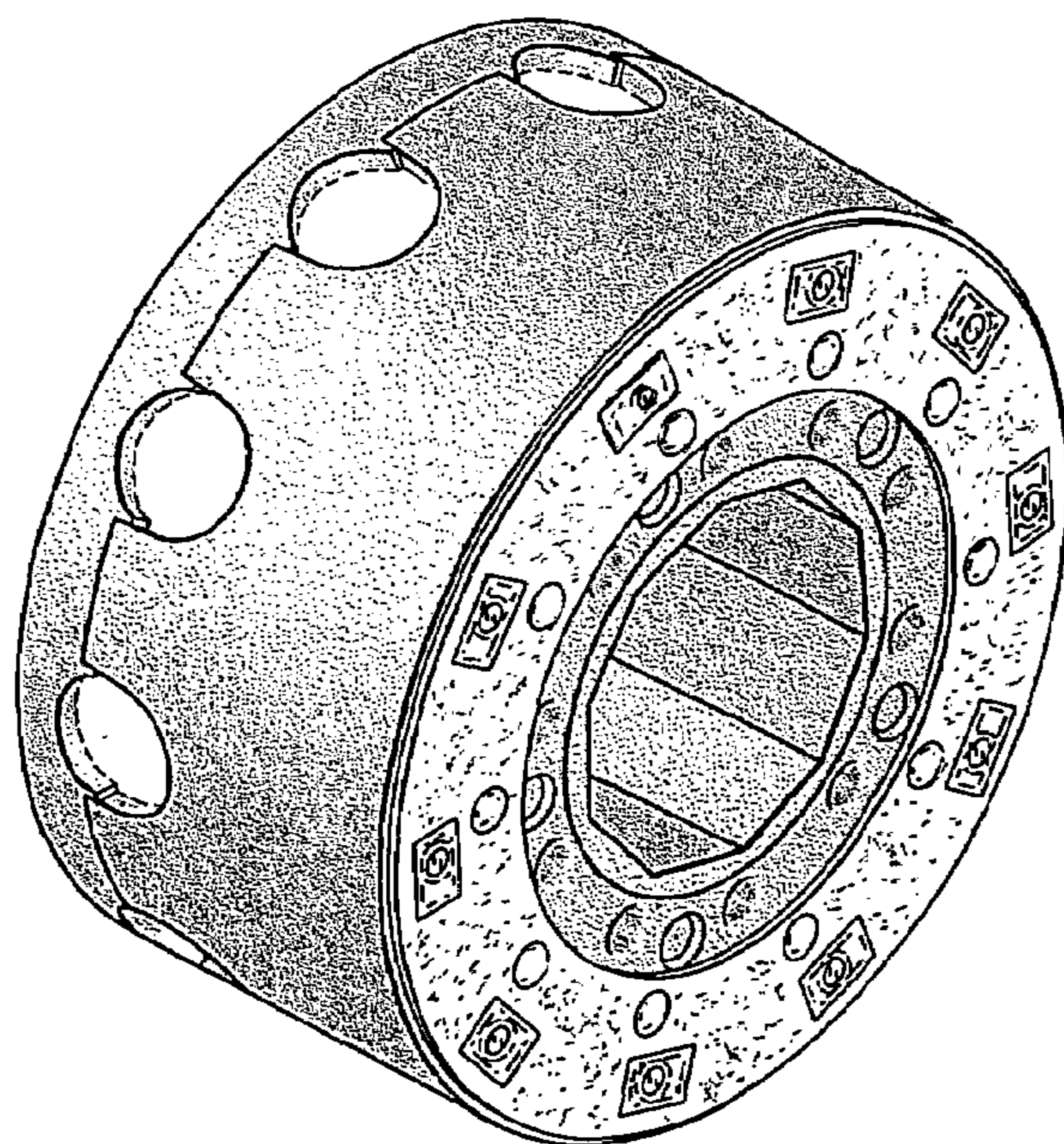


FIG. 8

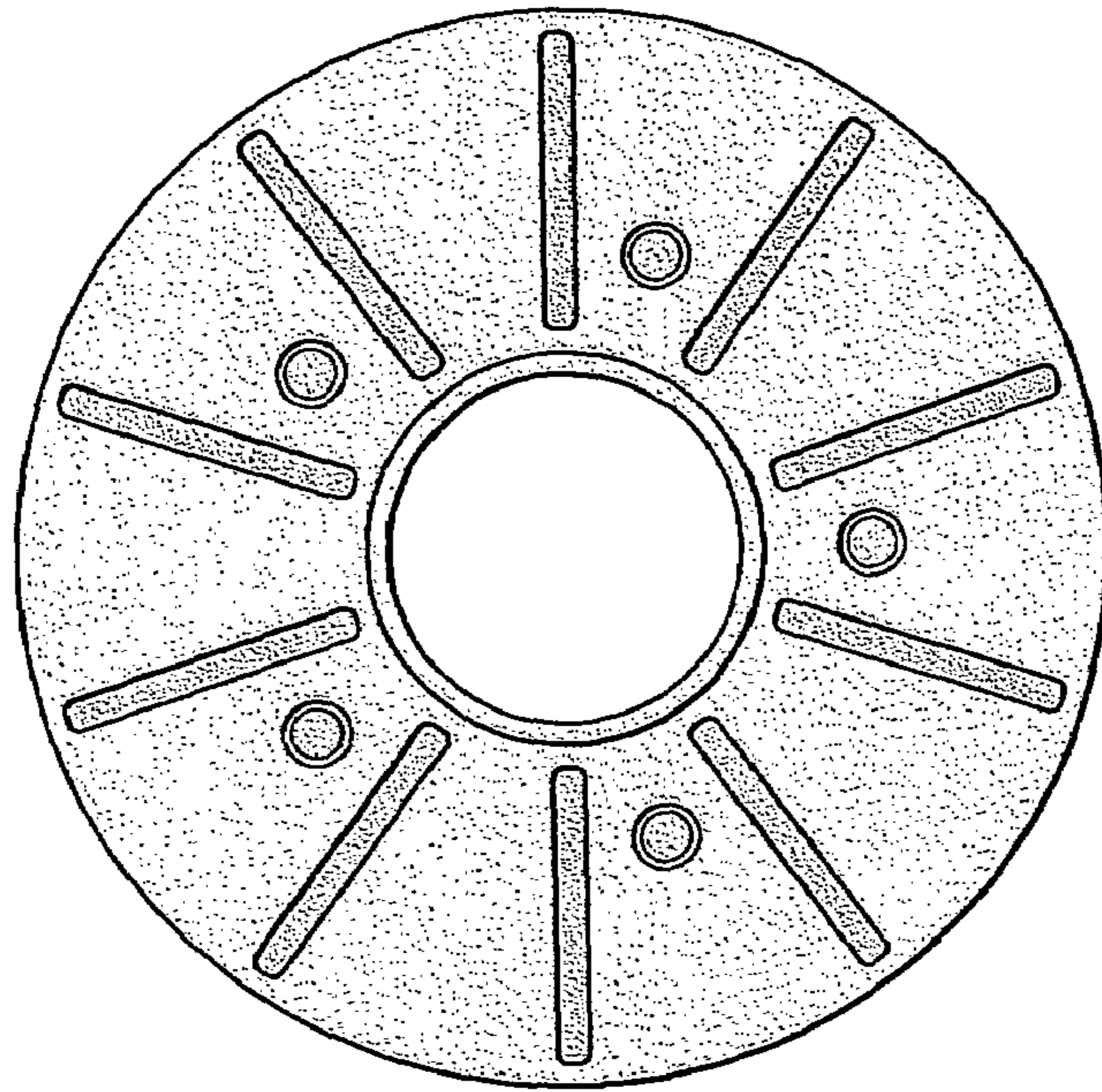


FIG. 9

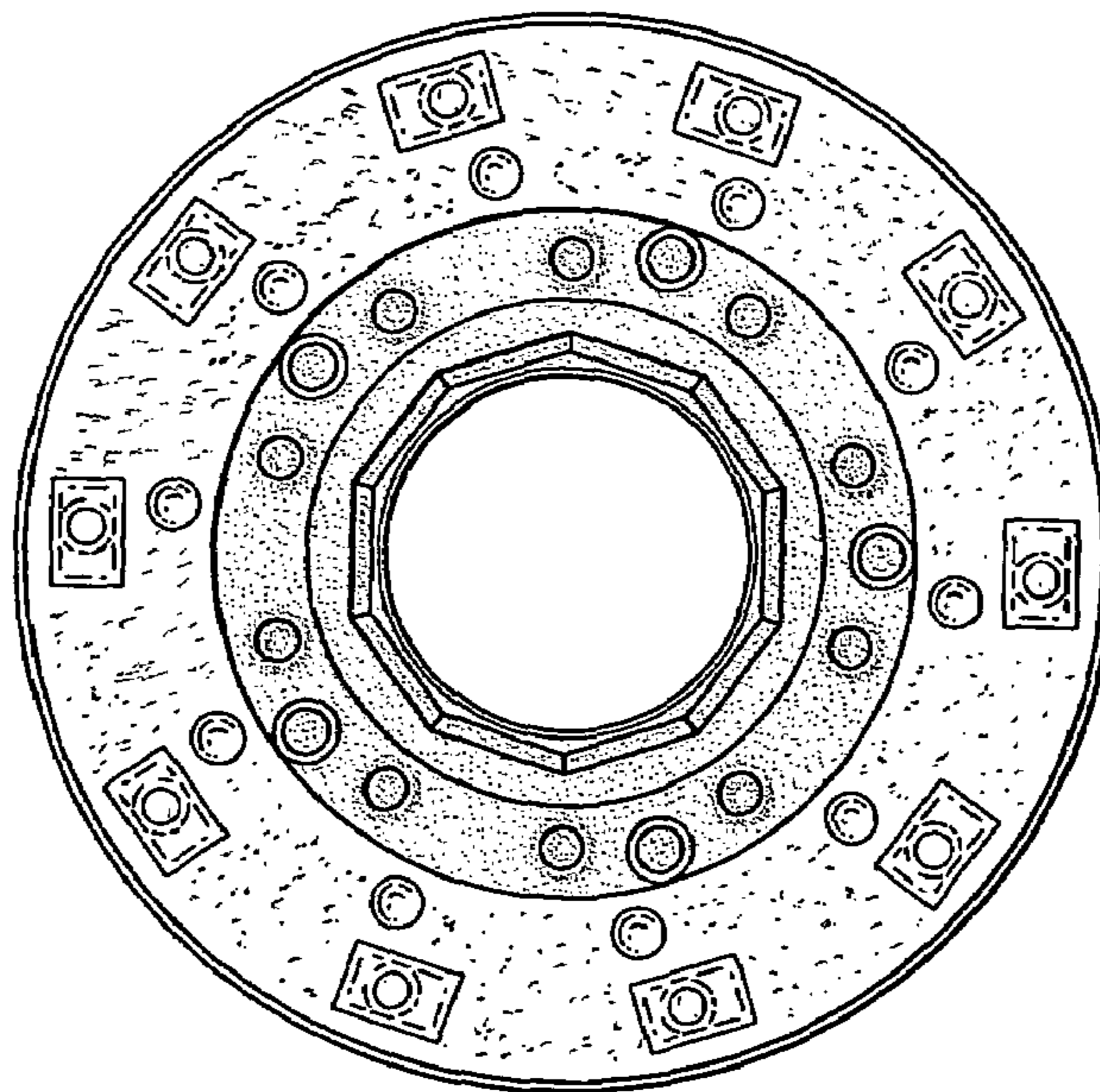


FIG. 10

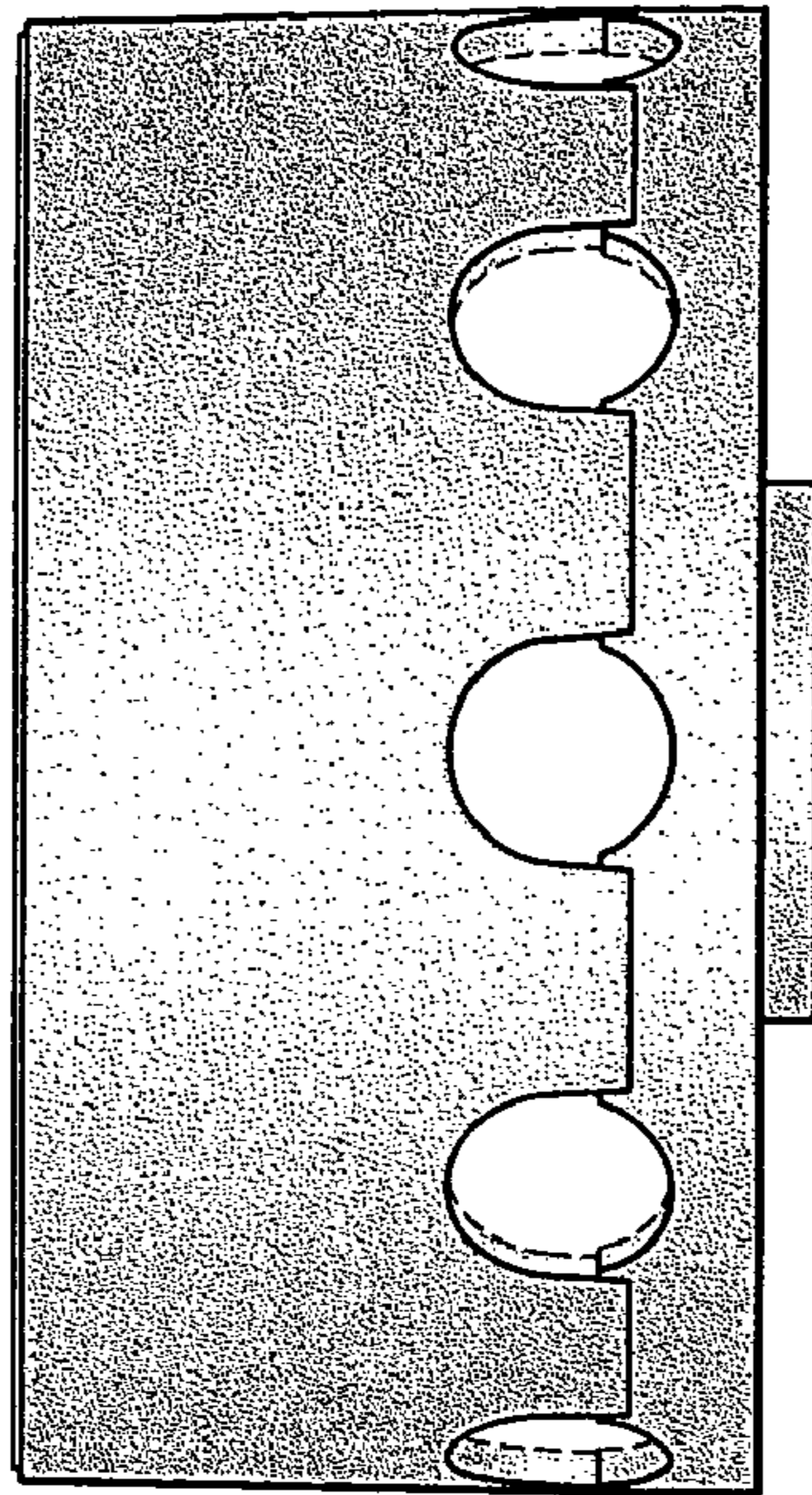


FIG. 11

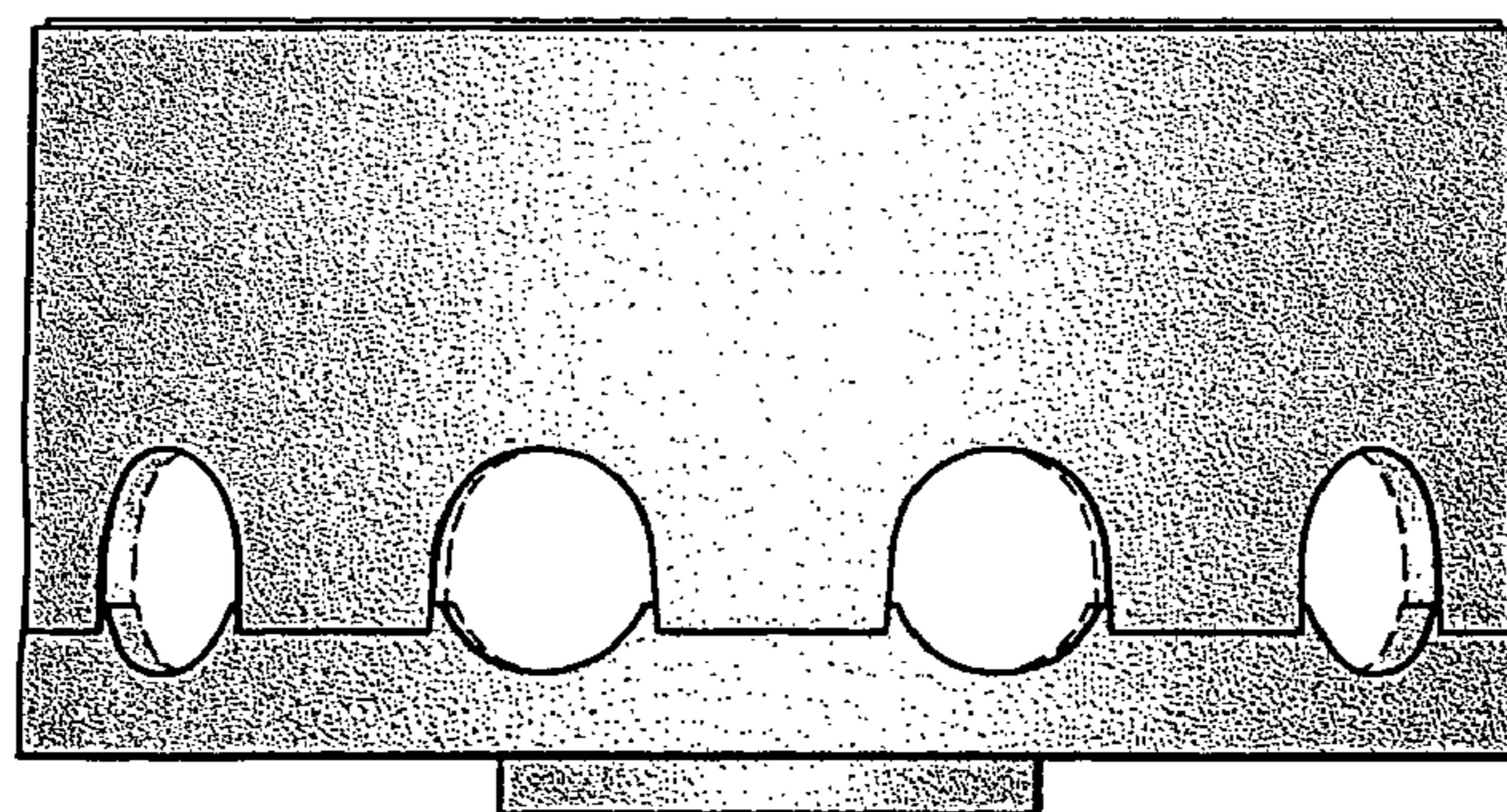


FIG. 12