



US00D601443S

(12) **United States Design Patent**  
**Ciochetti**

(10) **Patent No.:** **US D601,443 S**

(45) **Date of Patent:** **\*\* Oct. 6, 2009**

(54) **PUTTING GREEN LEVEL READER**

(76) Inventor: **Michael James Ciochetti**, 266 Dogwood  
La., Clayton, GA (US) 30562

(\*\*) Term: **14 Years**

(21) Appl. No.: **29/328,482**

(22) Filed: **Nov. 25, 2008**

(51) **LOC (9) Cl.** ..... **10-04**

(52) **U.S. Cl.** ..... **D10/69**

(58) **Field of Classification Search** ..... D10/69;  
33/365, 366.11–366.27, 367–391

See application file for complete search history.

(56) **References Cited**

U.S. PATENT DOCUMENTS

- 3,435,533 A \* 4/1969 Whitfield ..... D10/69
- D222,723 S \* 12/1971 Ostrager ..... D10/69
- 3,740,858 A \* 6/1973 Ostrager ..... 33/369
- 4,229,885 A \* 10/1980 Chiou ..... 33/376
- D257,671 S \* 12/1980 Elliott ..... D10/69

\* cited by examiner

*Primary Examiner*—Antoine D Davis

(74) *Attorney, Agent, or Firm*—Hartman & Hartman, P.C.;  
Gary M. Hartman; Domenica N. S. Hartman

(57) **CLAIM**

The ornamental design for the putting green level reader, as  
shown in Figures the accompanying Figures.

**DESCRIPTION**

FIG. 1 is a perspective view of a putting green level reader in  
accordance with this invention.

FIG. 2 is a top plan view of the putting green level reader of  
FIG. 1.

FIG. 3 is a bottom plan view of the putting green level reader  
of FIG. 1.

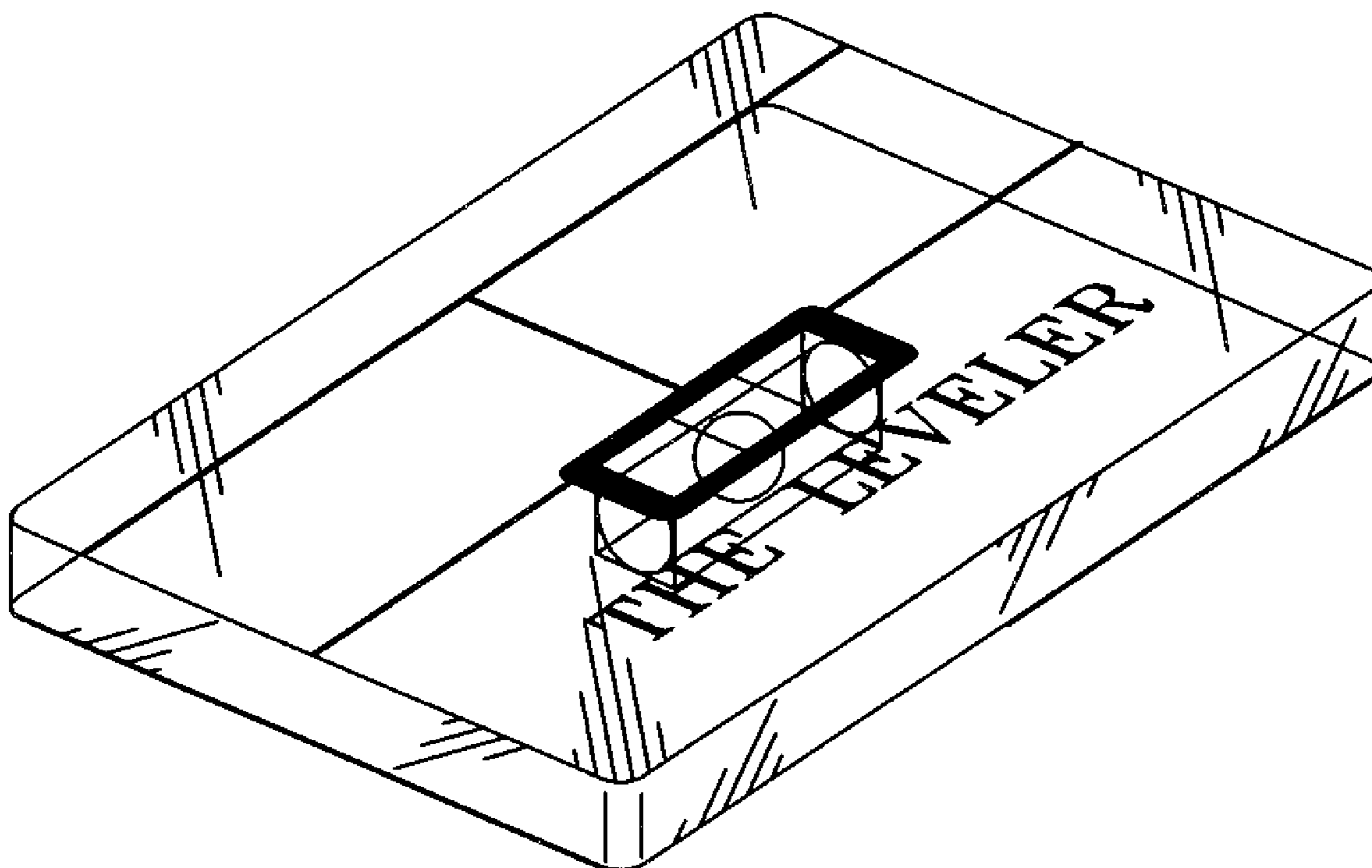
FIG. 4 is a front elevation view of the putting green level  
reader of FIG. 1.

FIG. 5 is a right side elevation view of the putting green level  
reader of FIG. 1.

FIG. 6 is a left side elevation view of the putting green level  
reader of FIG. 1; and,

FIG. 7 is a rear side elevation view of the putting green level  
reader of FIG. 1.

**1 Claim, 1 Drawing Sheet**



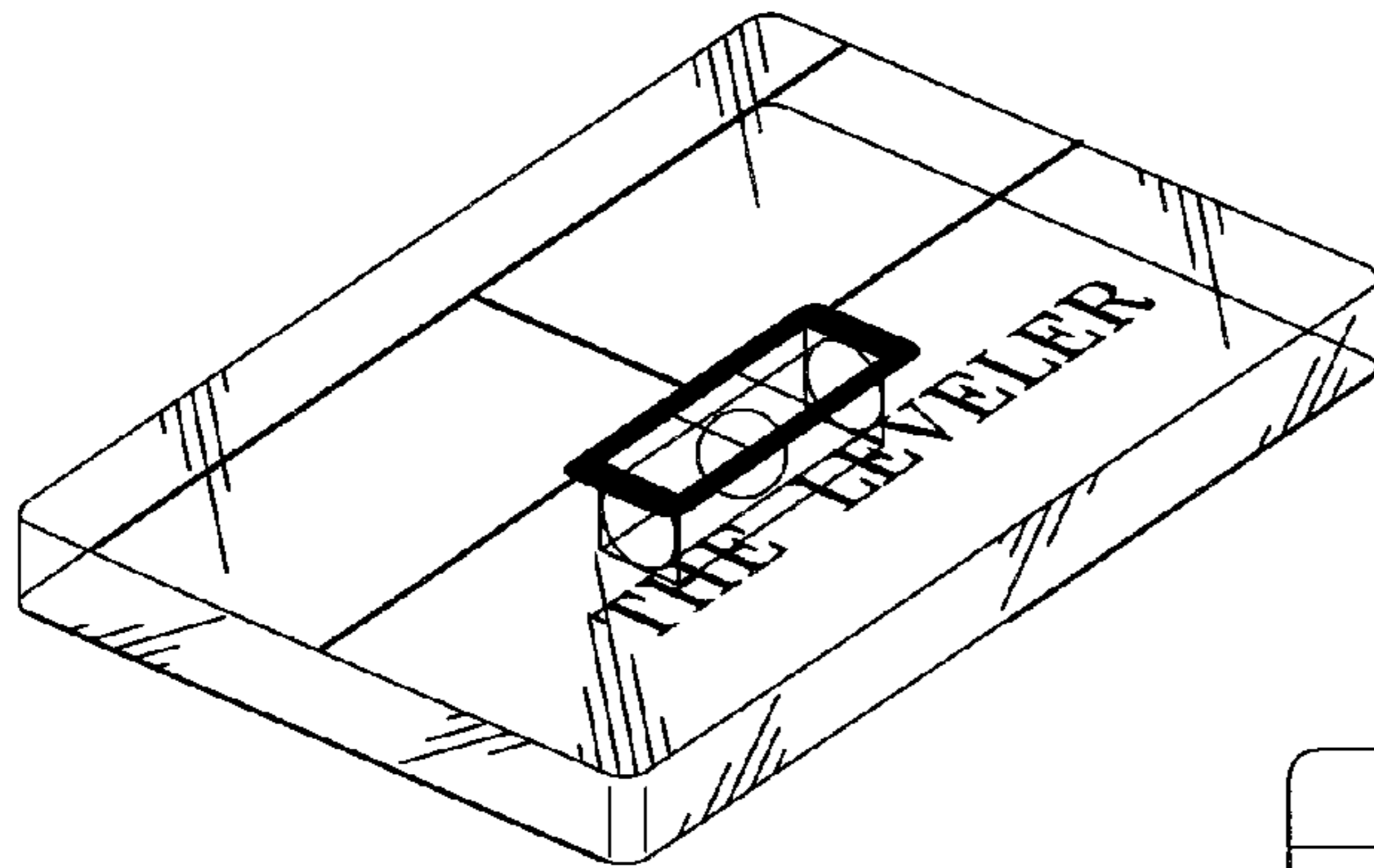


FIG. 1

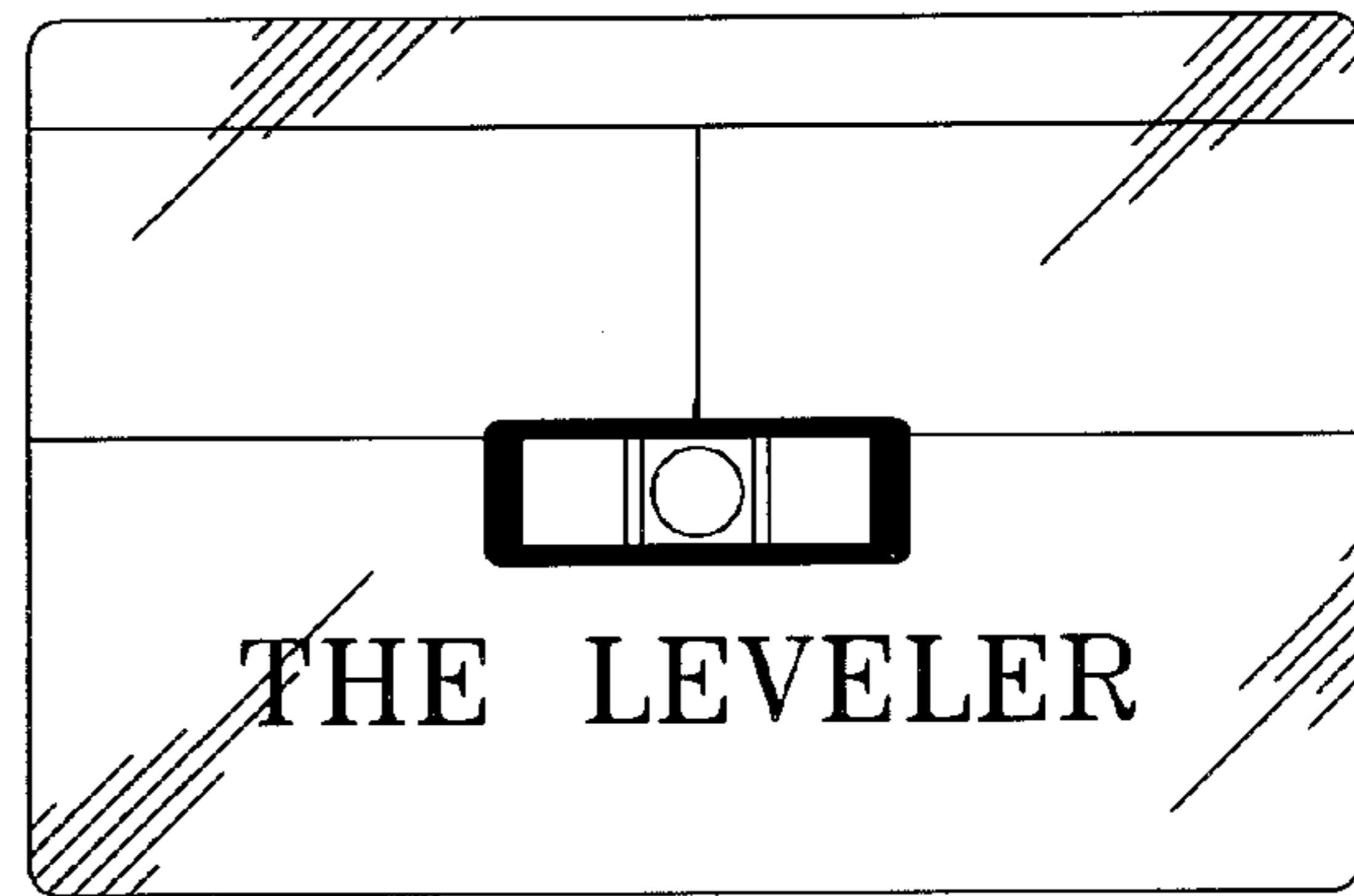


FIG. 2

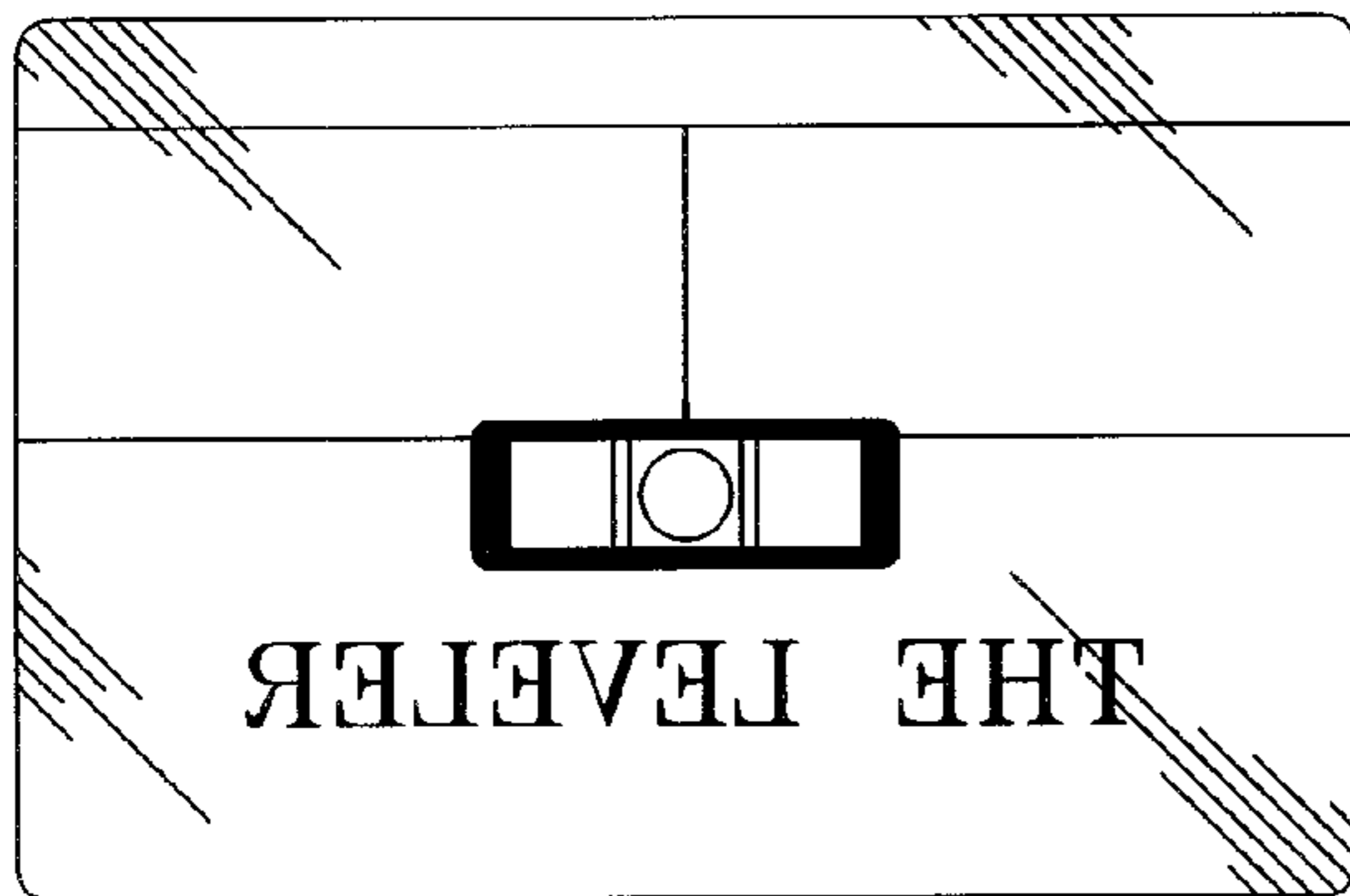


FIG. 3



FIG. 5



FIG. 6



FIG. 4



FIG. 7