



US00D601438S

(12) **United States Design Patent**  
**Chung et al.**

(10) **Patent No.:** **US D601,438 S**

(45) **Date of Patent:** **\*\* Oct. 6, 2009**

(54) **ALARM CLOCK**

(75) Inventors: **Anthony Sui-sang Chung**, Kowloon (HK); **Roman S. Ferber**, West Bloomfield, MI (US)

(73) Assignee: **FKA Distributing Co.**, Commerce Township, MI (US)

(\*\*) Term: **14 Years**

(21) Appl. No.: **29/329,824**

(22) Filed: **Dec. 22, 2008**

(51) **LOC (9) Cl.** ..... **10-01**

(52) **U.S. Cl.** ..... **D10/15**

(58) **Field of Classification Search** ..... D10/1-29;  
368/276, 285, 223, 316, 317, 250-259; D14/170,  
D14/171

See application file for complete search history.

(56) **References Cited**

**U.S. PATENT DOCUMENTS**

D204,778 S \* 5/1966 Reinecke ..... D10/21  
D378,495 S \* 3/1997 Gillespie ..... D10/1  
D386,419 S \* 11/1997 Wong ..... D10/1  
D409,499 S \* 5/1999 Hargrove, III ..... D10/15  
D409,500 S \* 5/1999 Hargrove, III ..... D10/15

D443,522 S \* 6/2001 Byler et al. .... D10/1  
D452,447 S \* 12/2001 Chu et al. .... D10/2  
D477,233 S \* 7/2003 Olszowy ..... D10/15  
D522,881 S \* 6/2006 Tien ..... D10/3  
D553,119 S \* 10/2007 Chau ..... D14/171

\* cited by examiner

*Primary Examiner*—Lucy Lieberman

(74) *Attorney, Agent, or Firm*—Fraser Clemens Martin & Miller LLC; J. Douglas Miller

(57) **CLAIM**

The ornamental design for an alarm clock, as shown and described.

**DESCRIPTION**

FIG. 1 is a perspective view of an alarm clock incorporating our new design;

FIG. 2 is a front elevational view thereof;

FIG. 3 is a rear elevational view thereof;

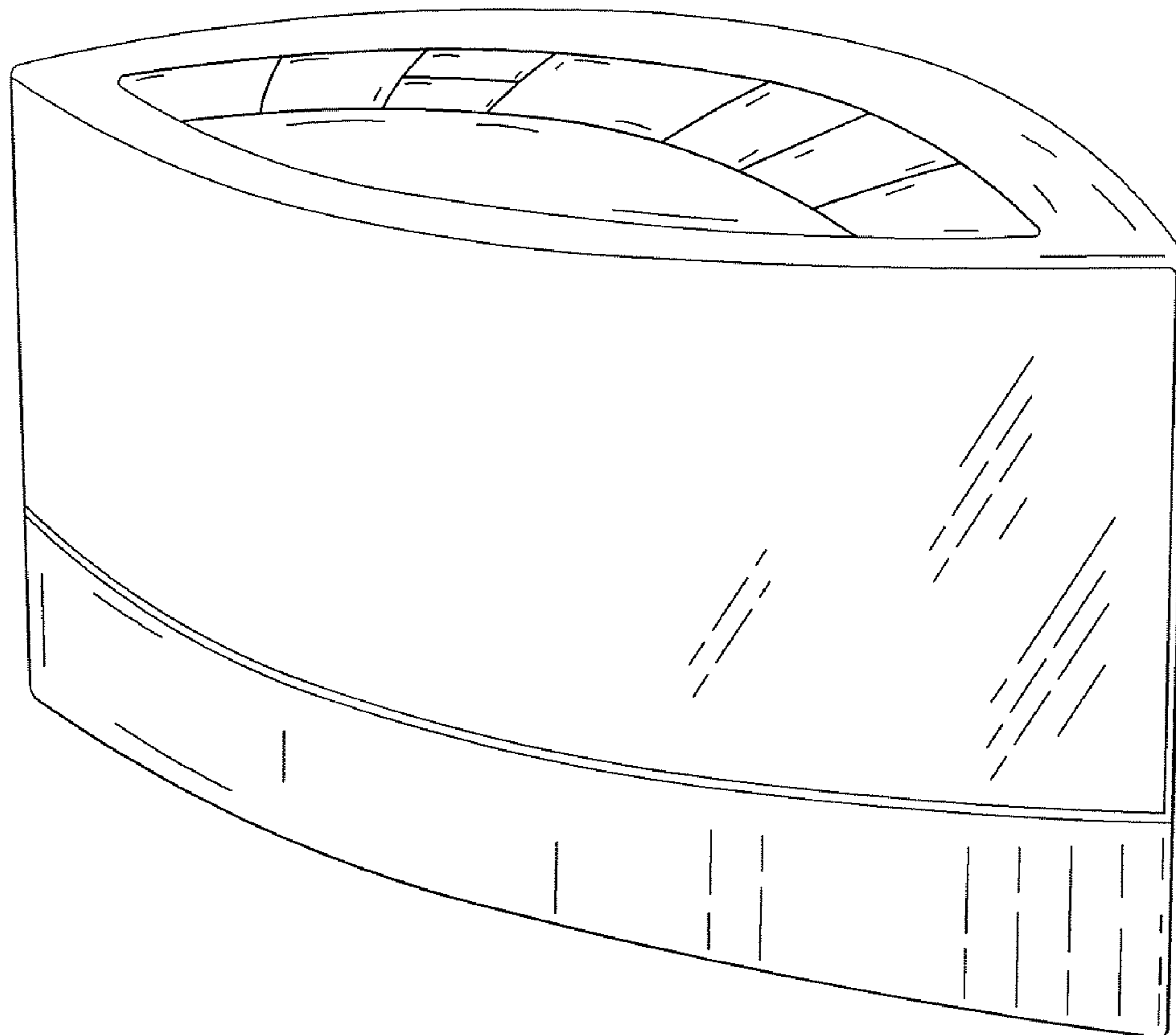
FIG. 4 is a top plan view thereof;

FIG. 5 is a bottom plan view thereof;

FIG. 6 is a right side elevational view thereof; and,

FIG. 7 is a left side elevational view thereof.

**1 Claim, 3 Drawing Sheets**



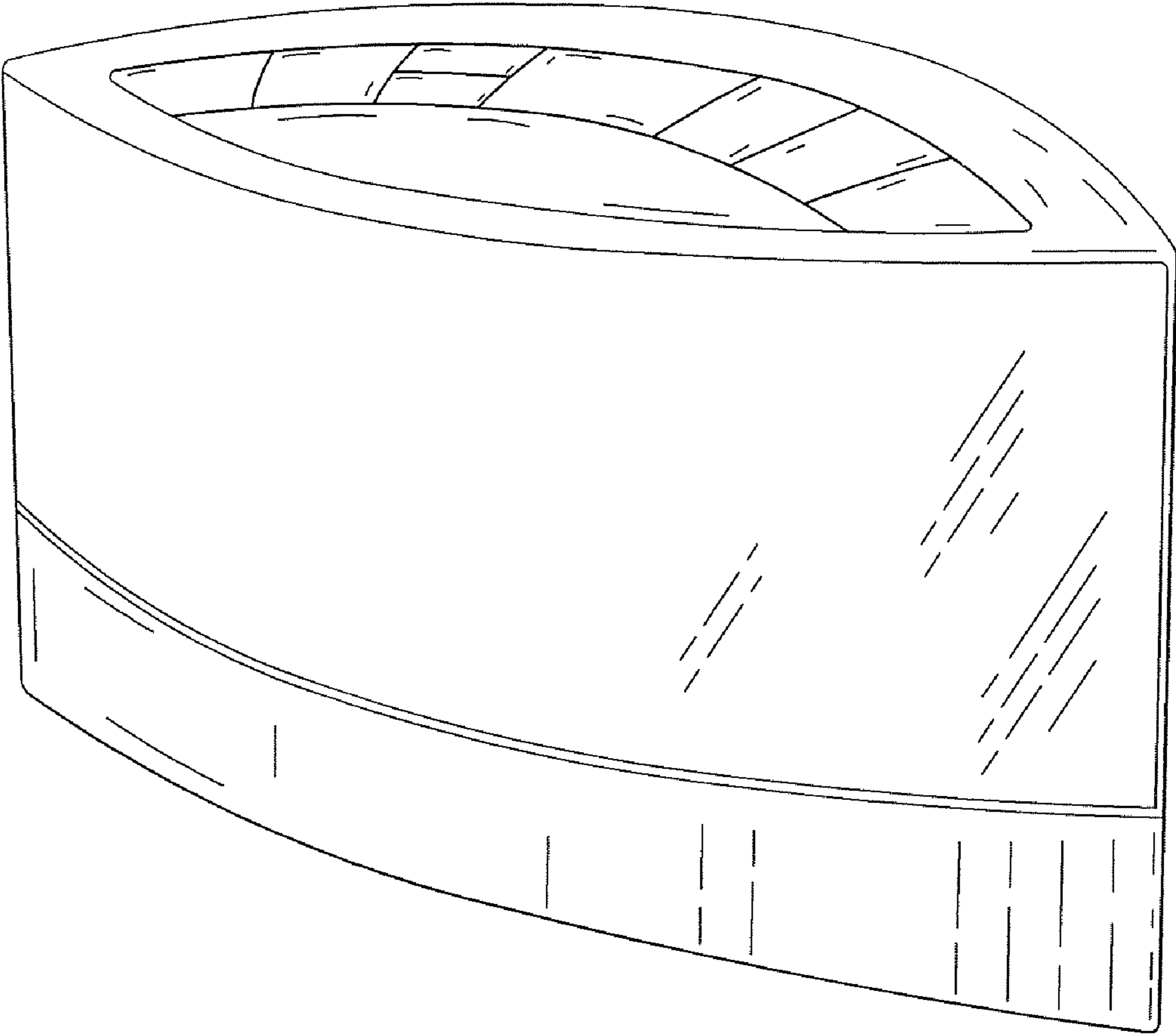


FIG. 1

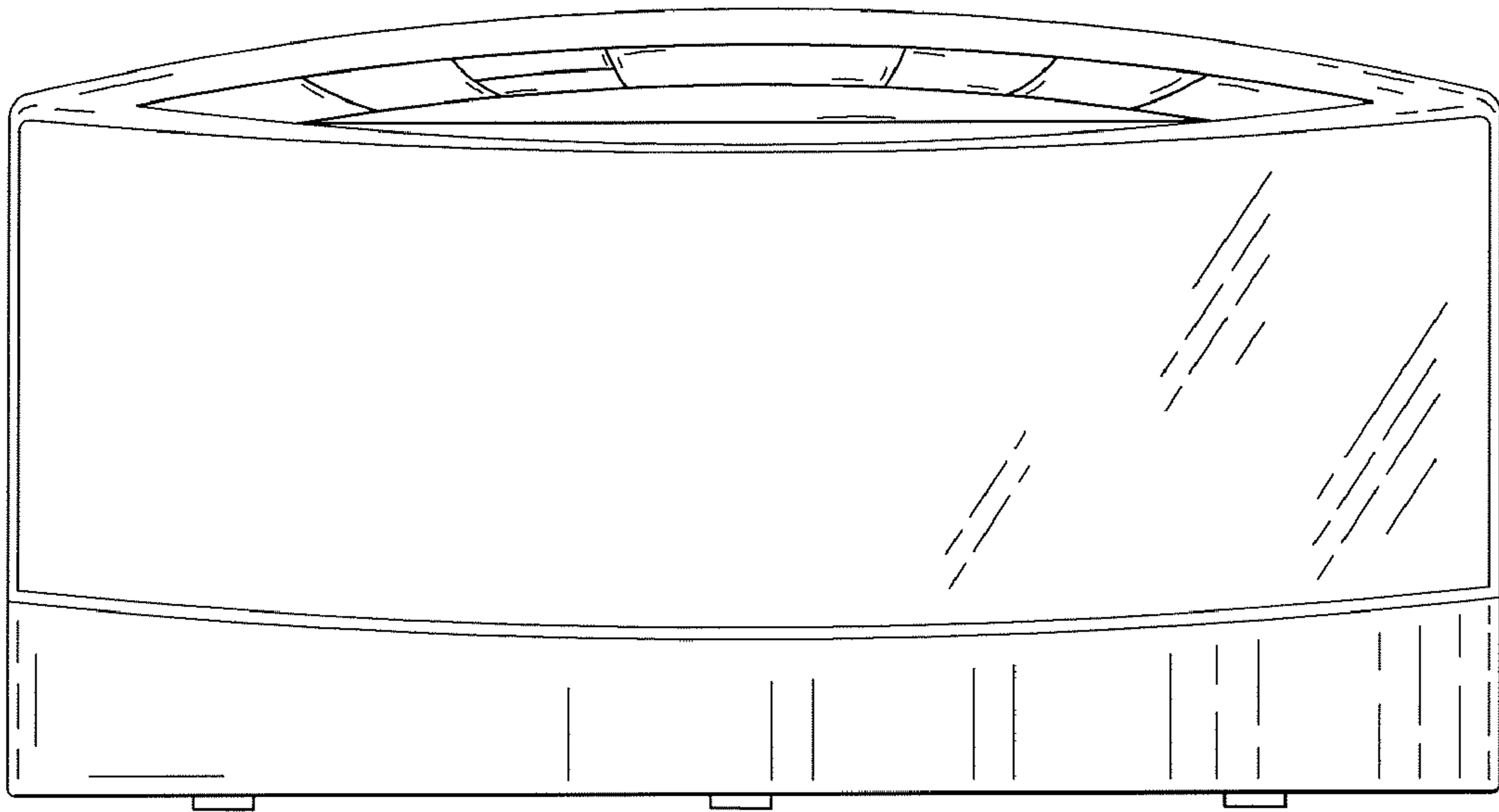


FIG. 2

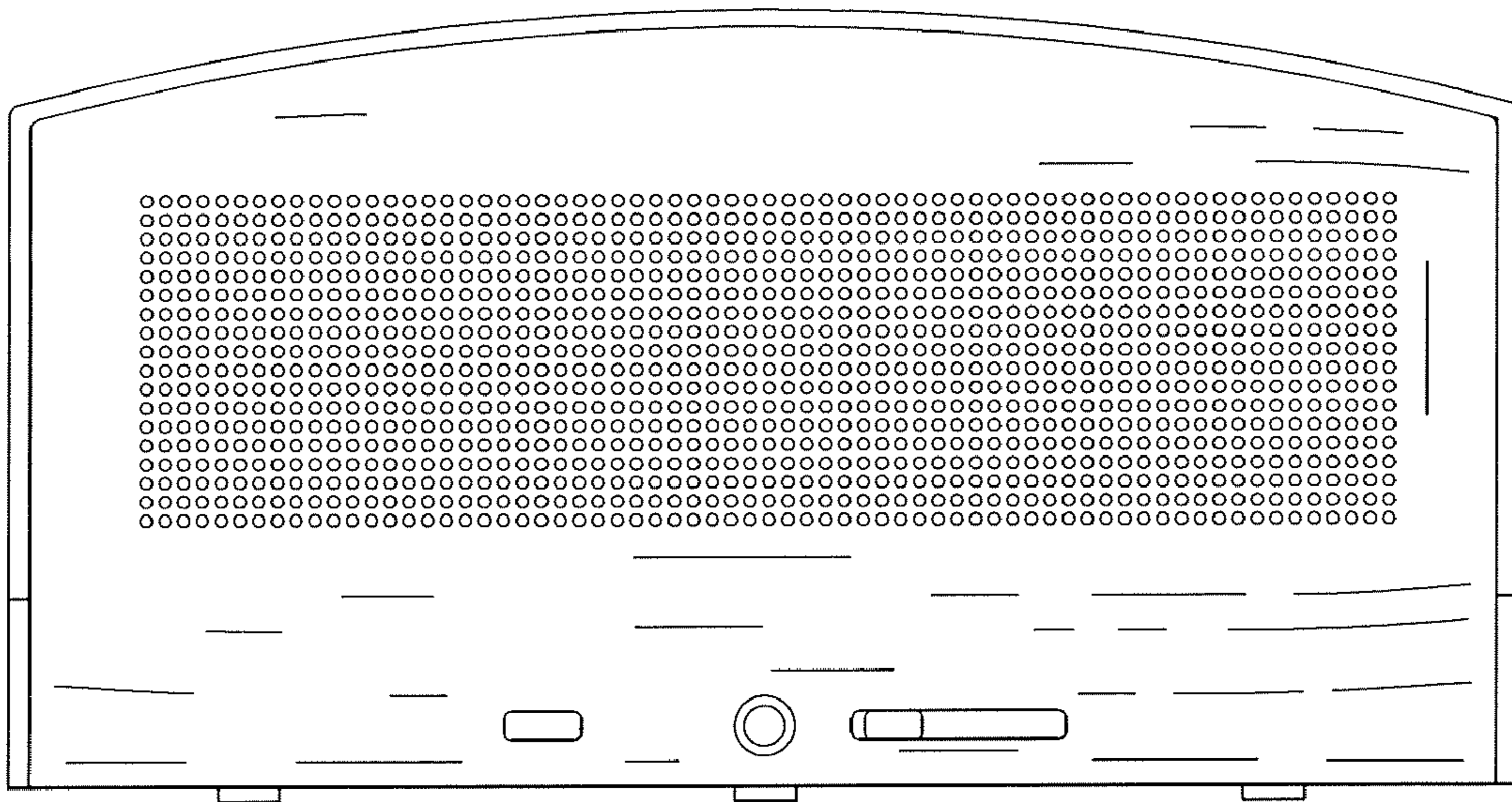


FIG. 3

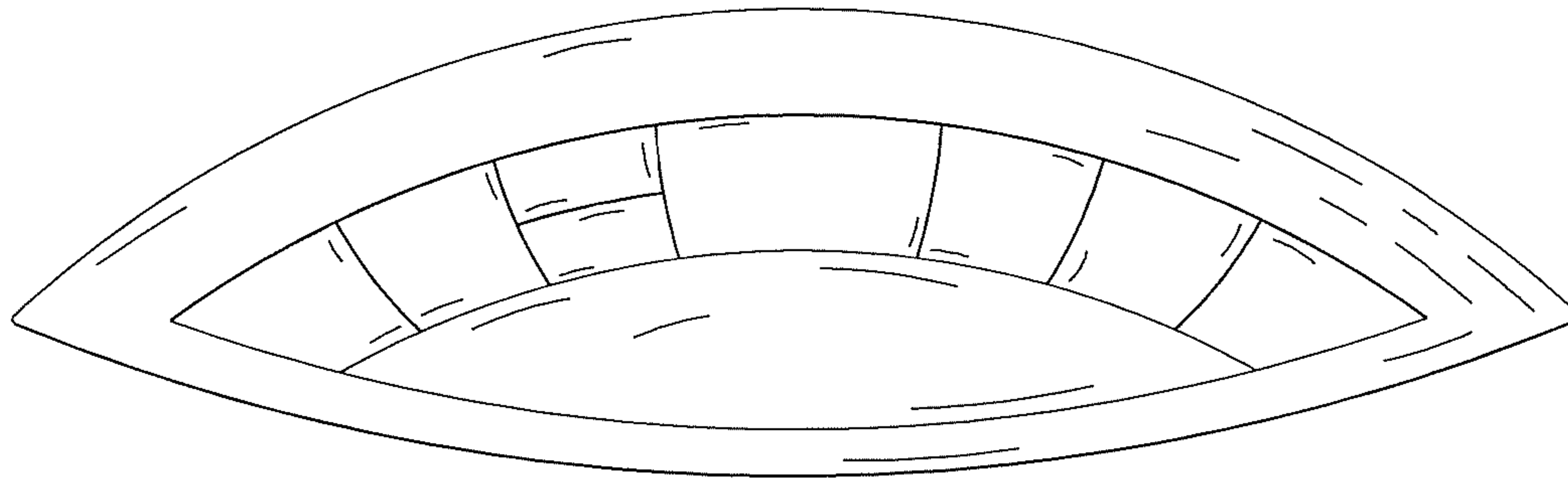


FIG. 4

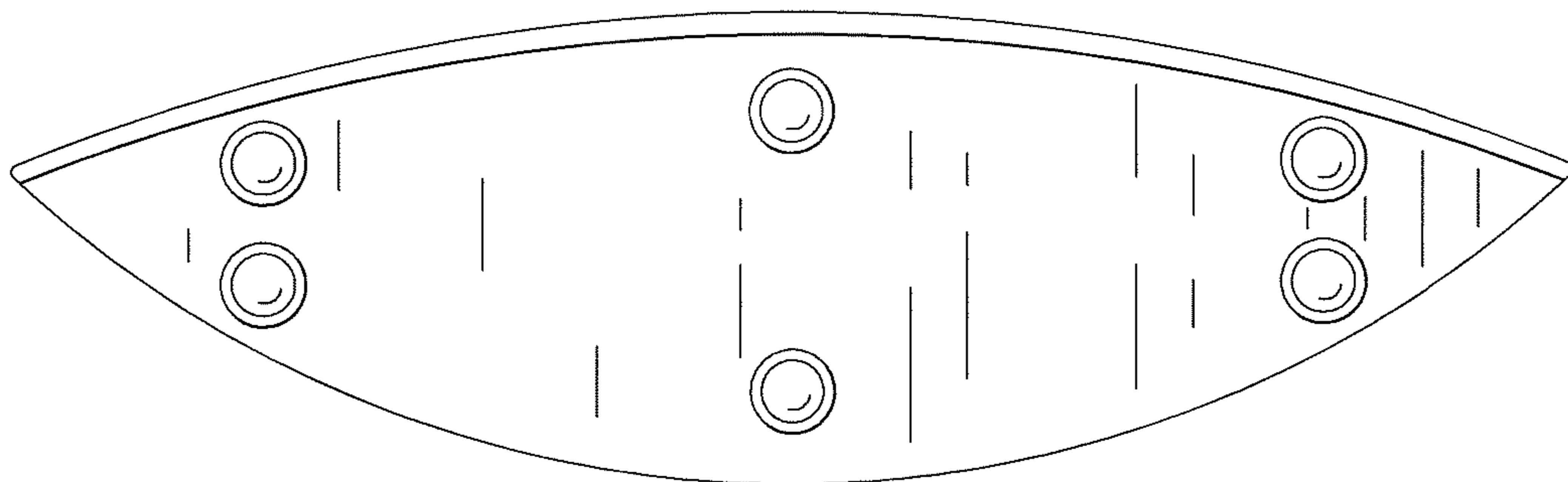


FIG. 5

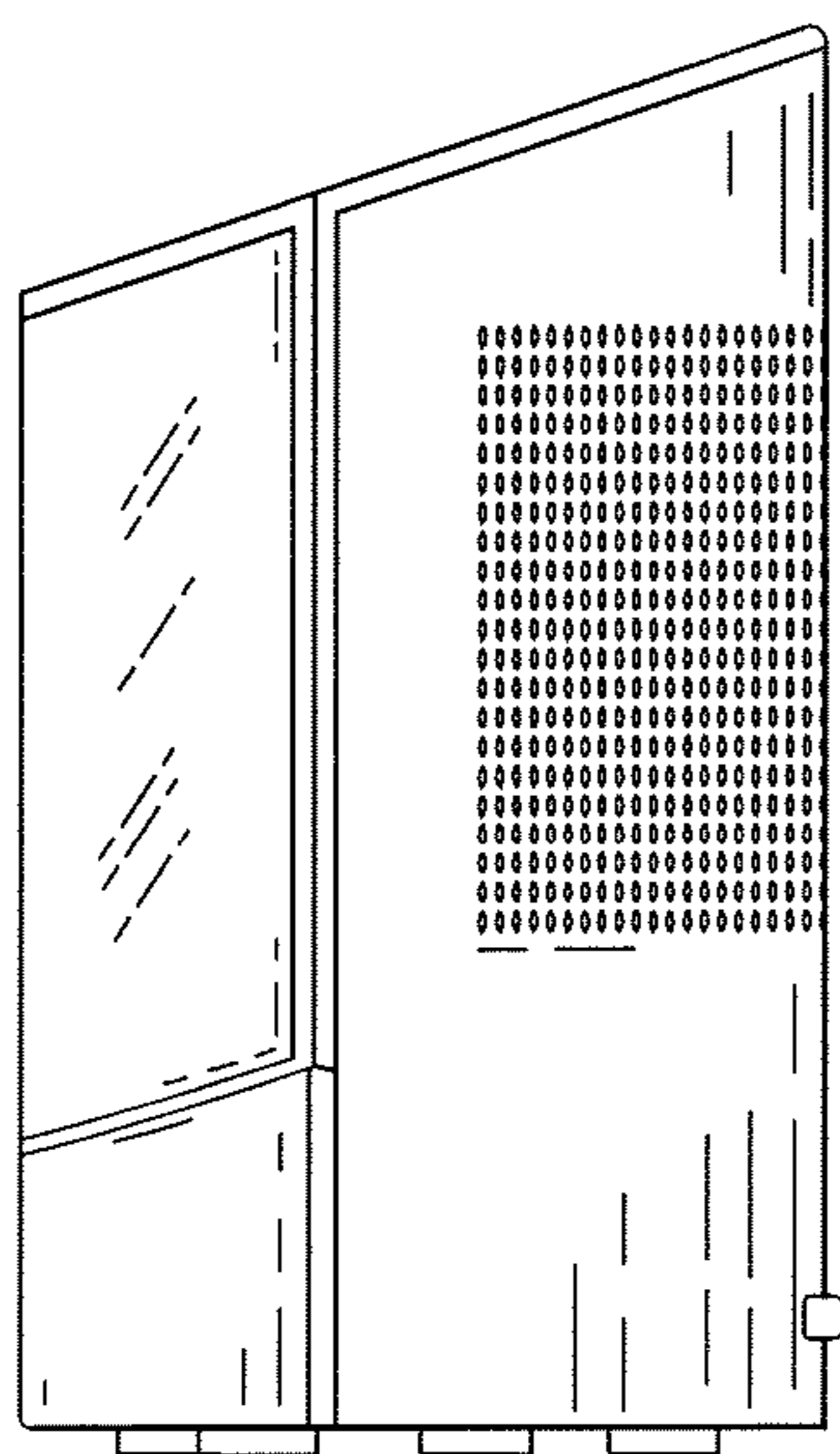


FIG. 6

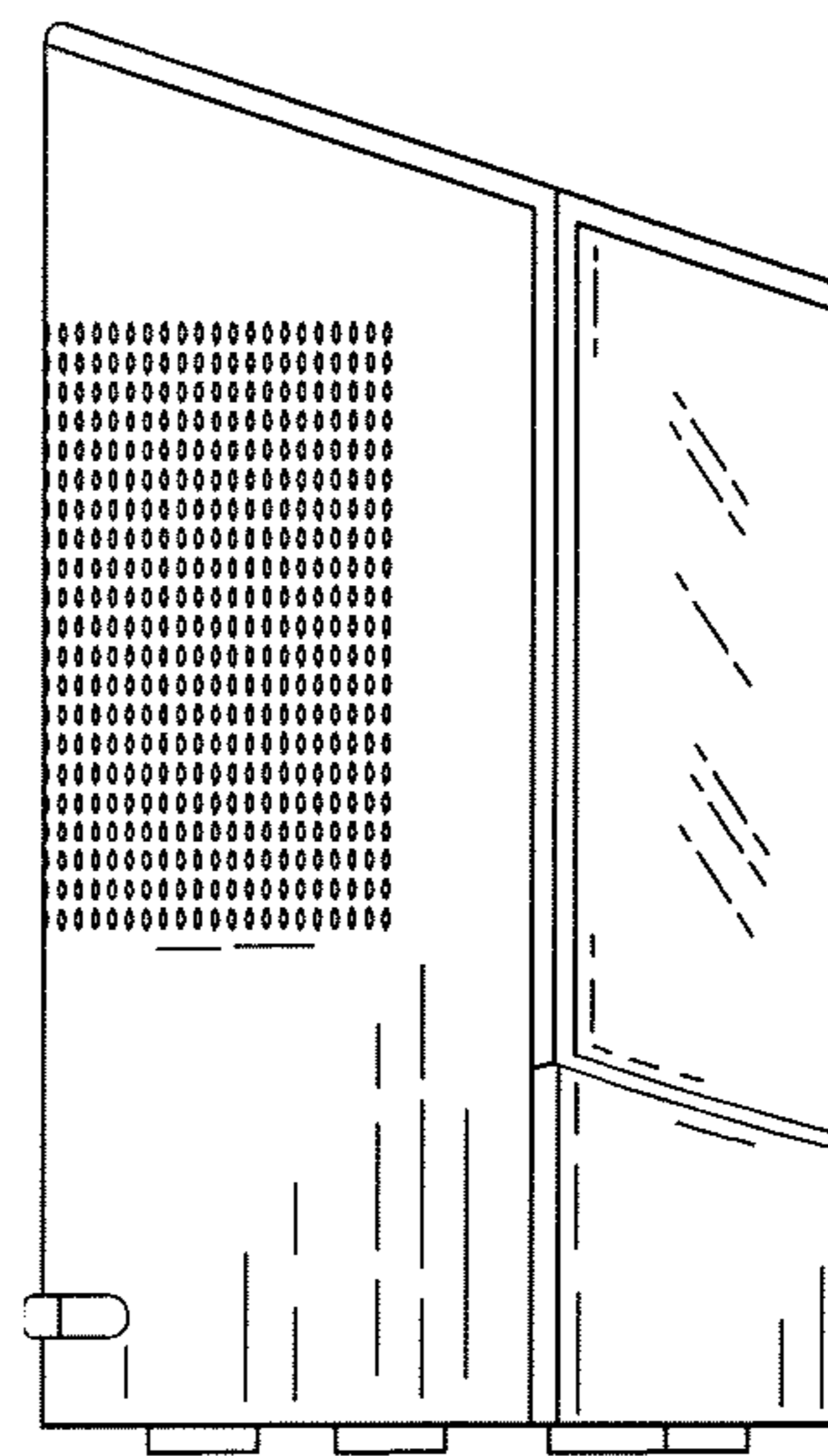


FIG. 7