



US00D601430S

(12) **United States Design Patent**
Fischer

(10) **Patent No.:** **US D601,430 S**
(45) **Date of Patent:** **** Oct. 6, 2009**

(54) **GLASS CONTAINER FOR FOOD**
(75) Inventor: **Jörn Fischer**, Großbottwar (DE)
(73) Assignee: **Lidl Stiftung and Co. KS**, Neckarsulm (DE)
(**) Term: **14 Years**
(21) Appl. No.: **29/252,052**
(22) Filed: **Jan. 18, 2006**

(30) **Foreign Application Priority Data**
Jul. 23, 2005 (DE) 405 03 849
(51) **LOC (9) Cl.** **09-01**
(52) **U.S. Cl.** **D9/558; D9/529; D9/556; D9/571**
(58) **Field of Classification Search** D9/516, D9/572, 573, 538, 686, 545, 529, 420, 423, D9/571, 574, 575, 530, 541, 542, 543, 738, D9/447, 449, 537, 539, 690, 691, 558, 688, D9/689, 692, 687, 694, 544, 570; 215/381-385, 215/396, 397; 220/660, 662, 669
See application file for complete search history.

(56) **References Cited**
U.S. PATENT DOCUMENTS
D29,968 S * 1/1899 Ragsdale D9/504
D33,326 S * 10/1900 McGuire D9/502
D41,695 S * 8/1911 Brown D7/653
D72,771 S * 5/1927 Johnston D9/542
D92,425 S * 6/1934 Picker D9/566
D241,011 S * 8/1976 Pettengill D9/500

D241,319 S * 9/1976 Hefkey D9/503
D256,775 S * 9/1980 Voitl D9/503
D465,731 S * 11/2002 Brant et al. D9/453
D471,815 S * 3/2003 Gnann et al. D9/503
D481,314 S * 10/2003 Noonan D9/438
D499,337 S * 12/2004 Wadalawala et al. D9/500
D504,822 S * 5/2005 Wadalawala et al. D9/503
D508,205 S * 8/2005 Wadalawala et al. D9/500
D518,717 S * 4/2006 German D9/453

FOREIGN PATENT DOCUMENTS

DE 000177142-0001 7/2004

* cited by examiner

Primary Examiner—Stella M Reid
Assistant Examiner—Elizabeth J Oswecki
(74) *Attorney, Agent, or Firm*—Nash and Titus, LLC

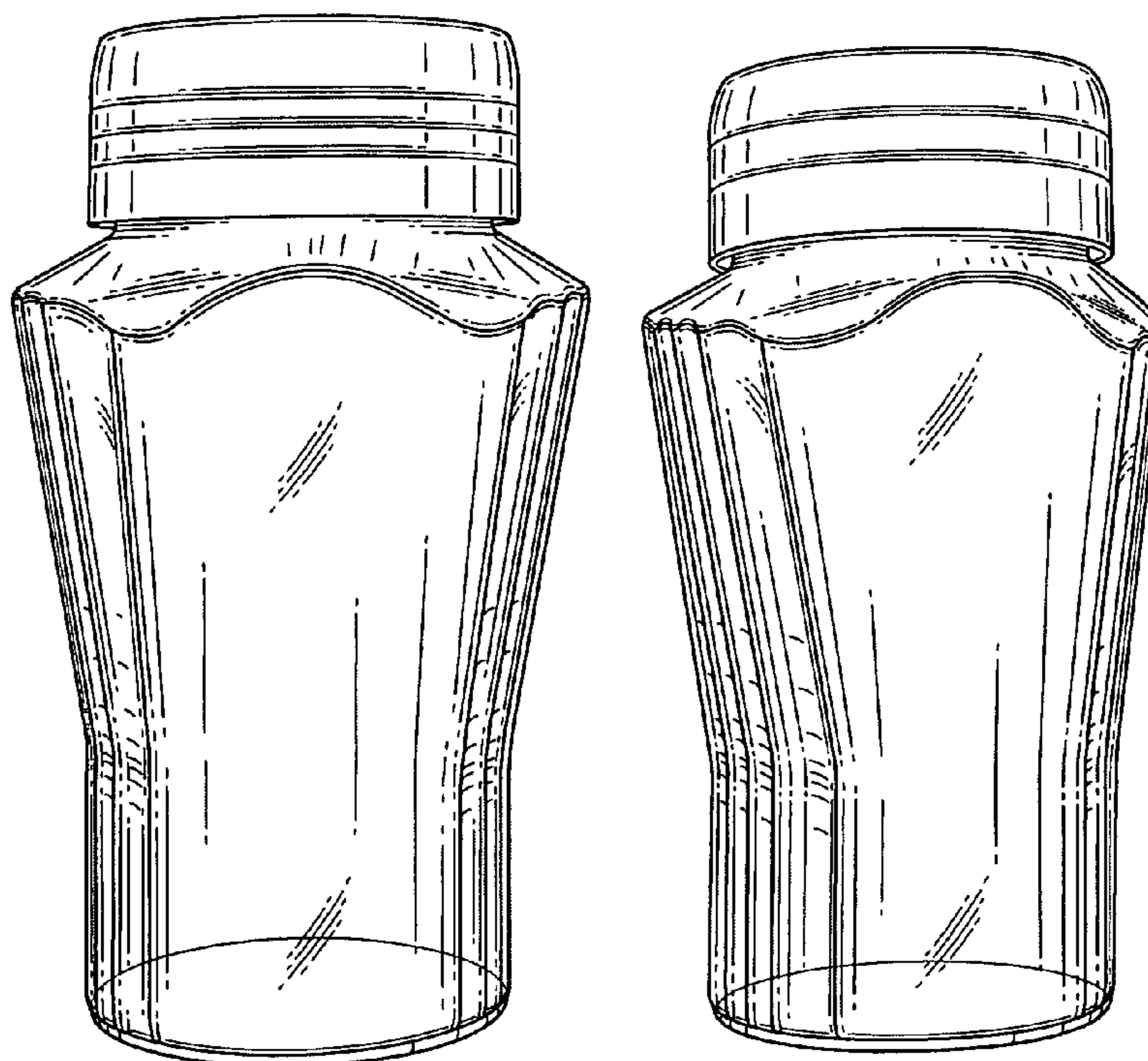
(57) **CLAIM**

The ornamental design for a glass container for food, as shown and described.

DESCRIPTION

FIG. 1 is a front elevation view of a glass container for food showing my new design;
FIG. 2 is a front, perspective view thereof;
FIG. 3 is a side elevation view thereof;
FIG. 4 is an enlarged partial side elevation view thereof; and,
FIG. 5 is a side perspective view thereof.
In each Figure, all surfaces not shown form no part of the claimed design.

1 Claim, 3 Drawing Sheets



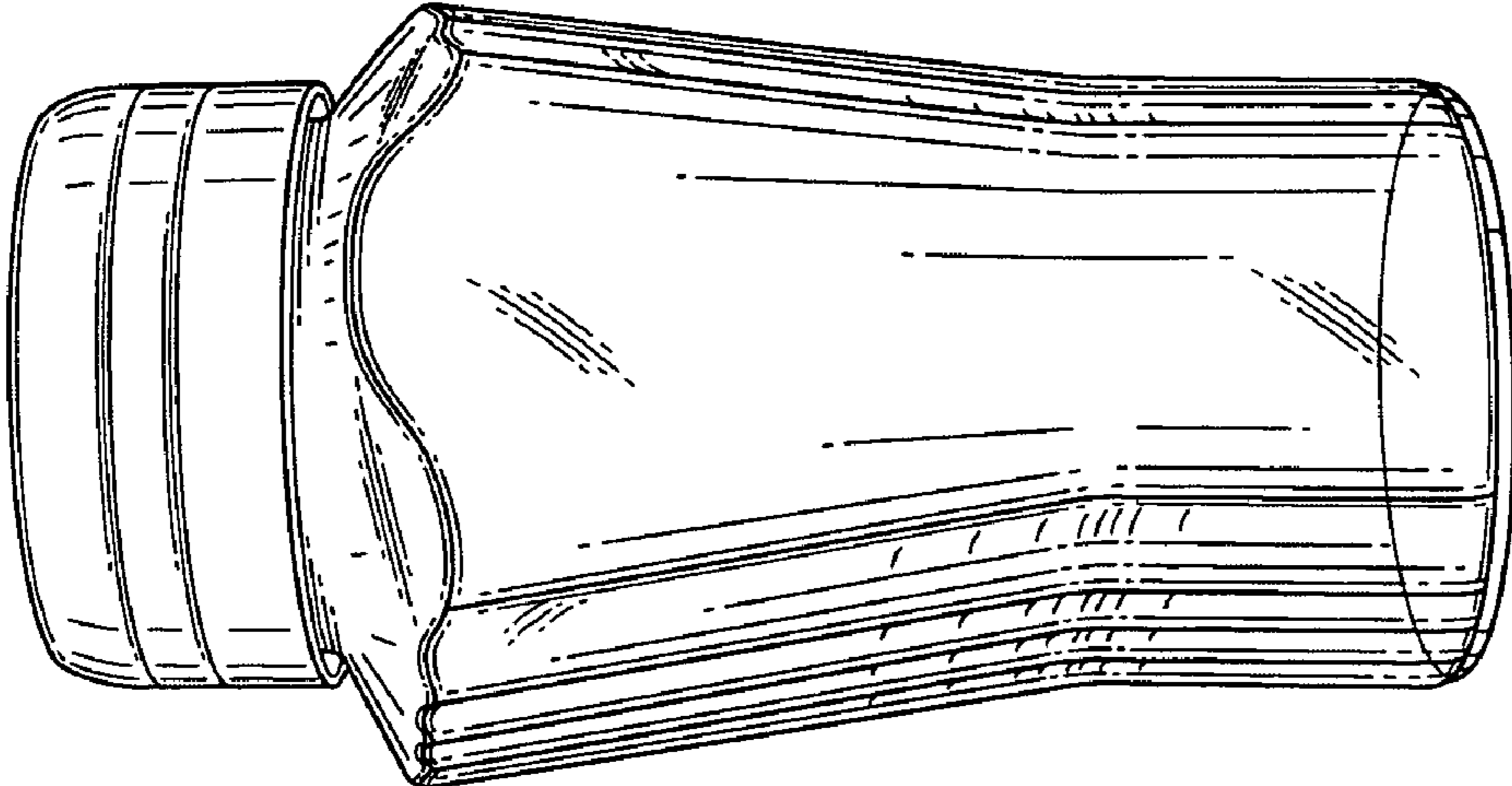


Fig. 2

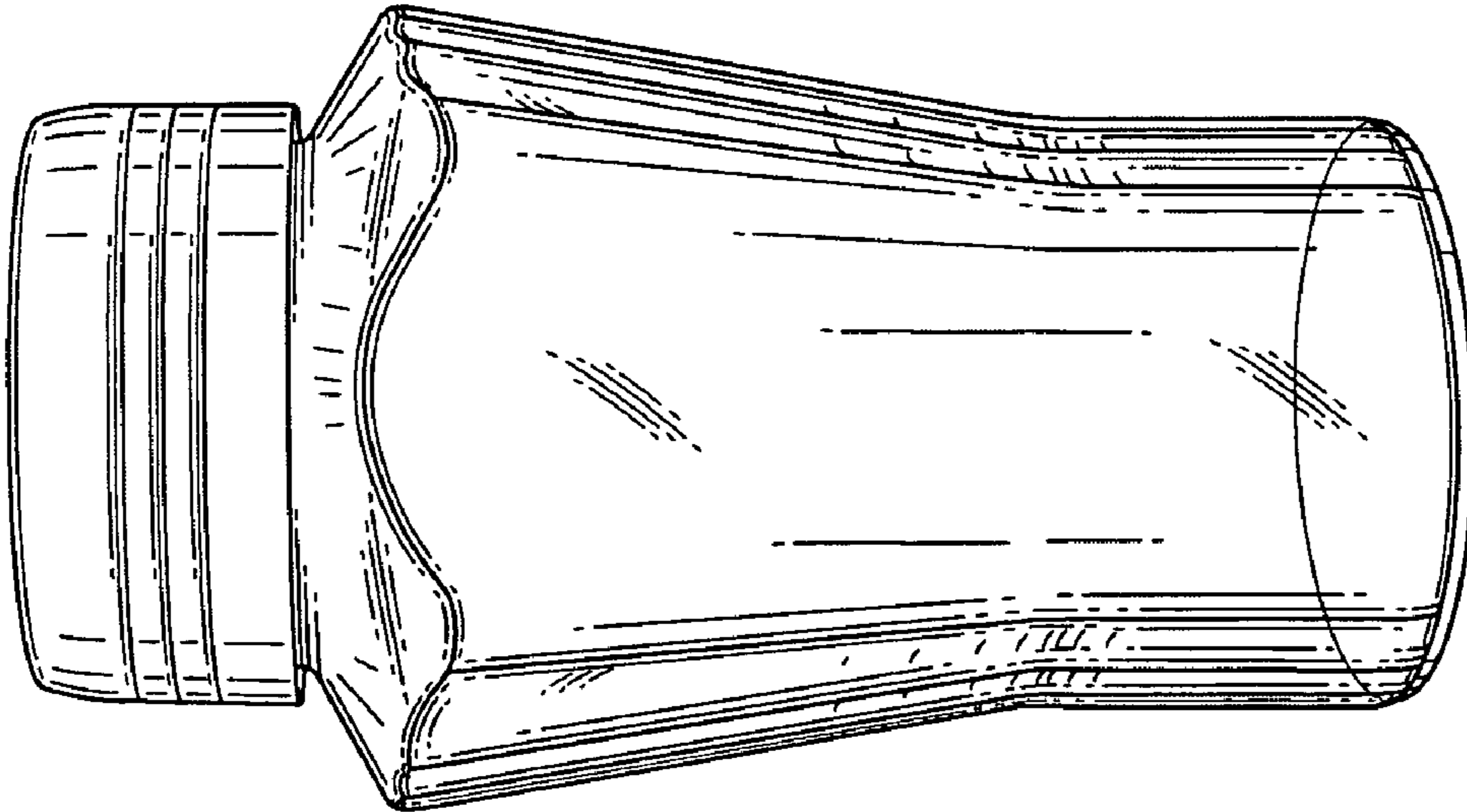


Fig. 1

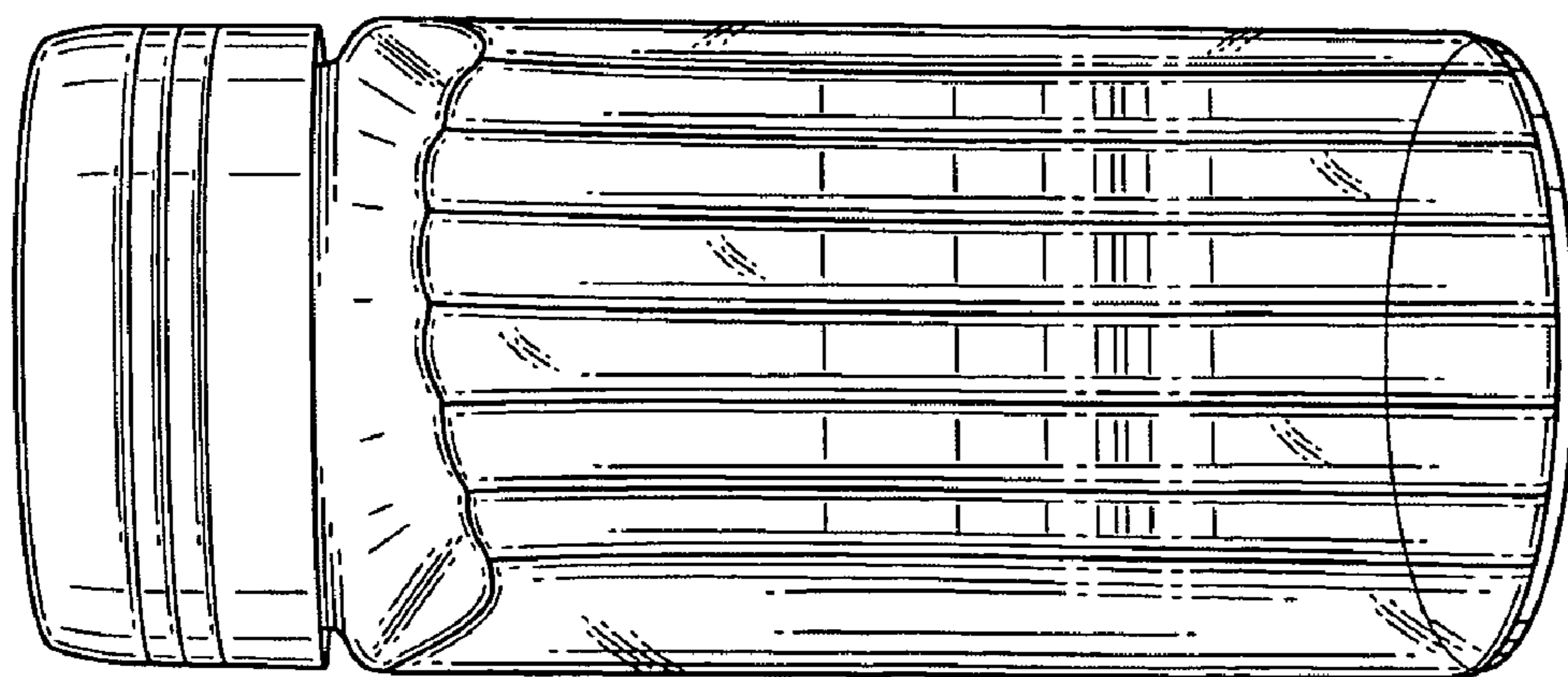


Fig. 3

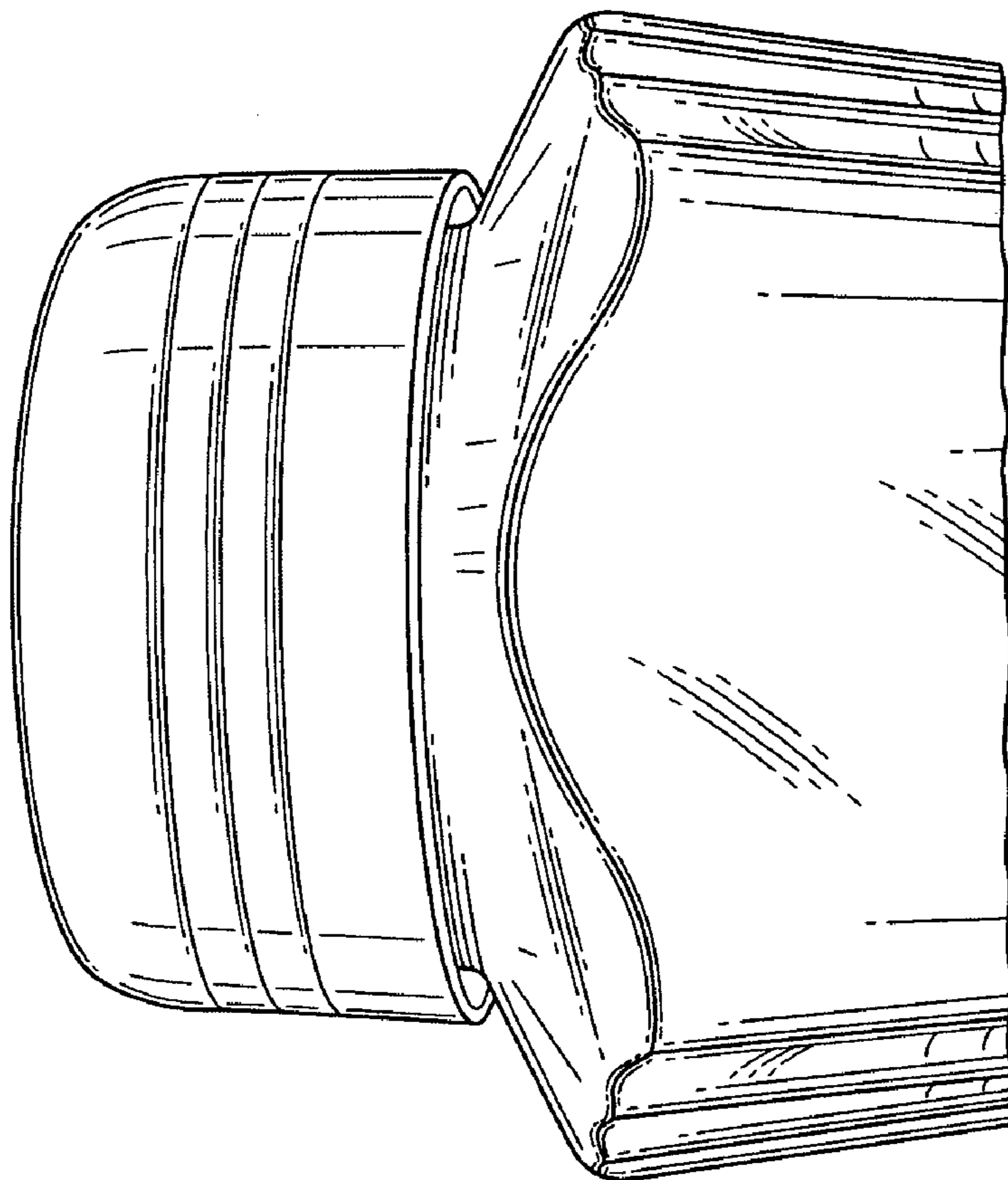


Fig. 4

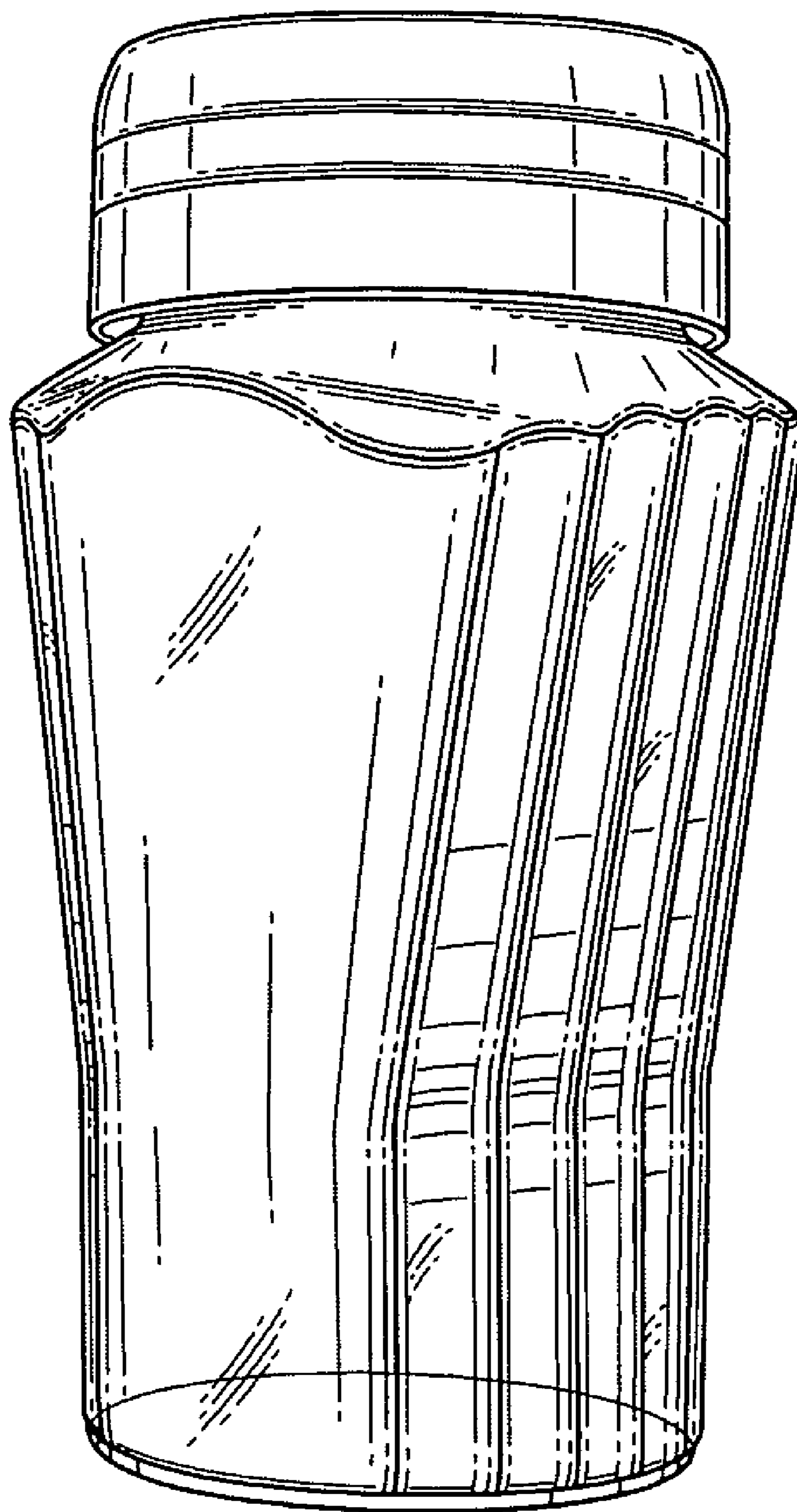


Fig. 5

UNITED STATES PATENT AND TRADEMARK OFFICE
CERTIFICATE OF CORRECTION

PATENT NO. : Des. 601,430 S
APPLICATION NO. : 29/252052
DATED : October 6, 2009
INVENTOR(S) : Jörn Fischer

Page 1 of 1

It is certified that error appears in the above-identified patent and that said Letters Patent is hereby corrected as shown below:

On the Title page, Item [73] in the left column, in the Assignee line, please change the name of the assignee from "Lidl Stiftung and Co. KS" to -- Lidl Stiftung and Co. KG --.

Signed and Sealed this

Twelfth Day of January, 2010

A handwritten signature in black ink that reads "David J. Kappos". The signature is written in a cursive style with a large, looped initial 'D' and a long, sweeping tail for the 's'.

David J. Kappos
Director of the United States Patent and Trademark Office