



US00D601426S

(12) **United States Design Patent**
Darr et al.

(10) **Patent No.:** **US D601,426 S**

(45) **Date of Patent:** **** Oct. 6, 2009**

(54) **NESTABLE PLASTIC CONTAINER**

(75) Inventors: **Richard C. Darr**, Medina, OH (US);
James J. Miller, Barberton, OH (US);
Richard A. Lovelace, Jr., Munroe Falls,
OH (US)

(73) Assignee: **Plastipak Packaging, Inc.**, Plymouth,
MI (US)

(**) Term: **14 Years**

(21) Appl. No.: **29/331,826**

(22) Filed: **Feb. 2, 2009**

Related U.S. Application Data

(62) Division of application No. 29/272,726, filed on Feb.
13, 2007, now Pat. No. Des. 586,864.

(51) **LOC (9) Cl.** **09-01**

(52) **U.S. Cl.** **D9/522; D9/526; D9/569;**
D9/570; D9/571; D9/743; D9/745

(58) **Field of Classification Search** D9/516,
D9/522, 523, 526, 529, 530, 537, 539, 540,
D9/541, 542, 543, 549, 551, 553, 556, 557,
D9/558, 559, 560, 564, 566, 569, 570, 571,
D9/574, 575, 737, 738, 743, 745; 215/381–385,
215/396, 398; 206/503–505, 515; 220/23.6
See application file for complete search history.

(56) **References Cited**

U.S. PATENT DOCUMENTS

D201,052 S * 5/1965 Josephsen D9/542
D347,391 S * 5/1994 Guertin D9/566
5,316,159 A * 5/1994 Douglas et al. 215/10
D373,537 S * 9/1996 Schirado D9/572
D398,539 S * 9/1998 Guislain D9/564
D411,803 S * 7/1999 Guertin D9/520
D421,721 S * 3/2000 Guertin D9/520
D528,427 S * 9/2006 Sasaki et al. D9/541
D533,071 S * 12/2006 Forget D9/564

D536,985 S * 2/2007 Forget D9/541
D560,496 S * 1/2008 Heisner D9/516
D568,167 S * 5/2008 Sasaki et al. D9/560
D568,169 S * 5/2008 Sasaki et al. D9/570
D569,737 S * 5/2008 Ogawa et al. D9/740
2006/0151425 A1 * 7/2006 Kelley et al. 215/381
2007/0039918 A1 * 2/2007 Lane et al. 215/381
2007/0170144 A1 * 7/2007 Lane et al. 215/383
2007/0187354 A1 * 8/2007 Sasaki 215/384

* cited by examiner

Primary Examiner—Stella M Reid

Assistant Examiner—Elizabeth J Oswecki

(74) *Attorney, Agent, or Firm*—Dykema Gossett PLLC

(57) **CLAIM**

The ornamental design for a nestable plastic container, as
shown and described.

DESCRIPTION

FIG. 1 is a top, front, and right side perspective view of a
nestable plastic container showing our new design;

FIG. 2 is a top, rear, and left side perspective view thereof;

FIG. 3 is a right side elevation view thereof;

FIG. 4 is a left side elevation view thereof;

FIG. 5 is a top plan view thereof;

FIG. 6 is a bottom plan view thereof;

FIG. 7 is a front elevation view thereof;

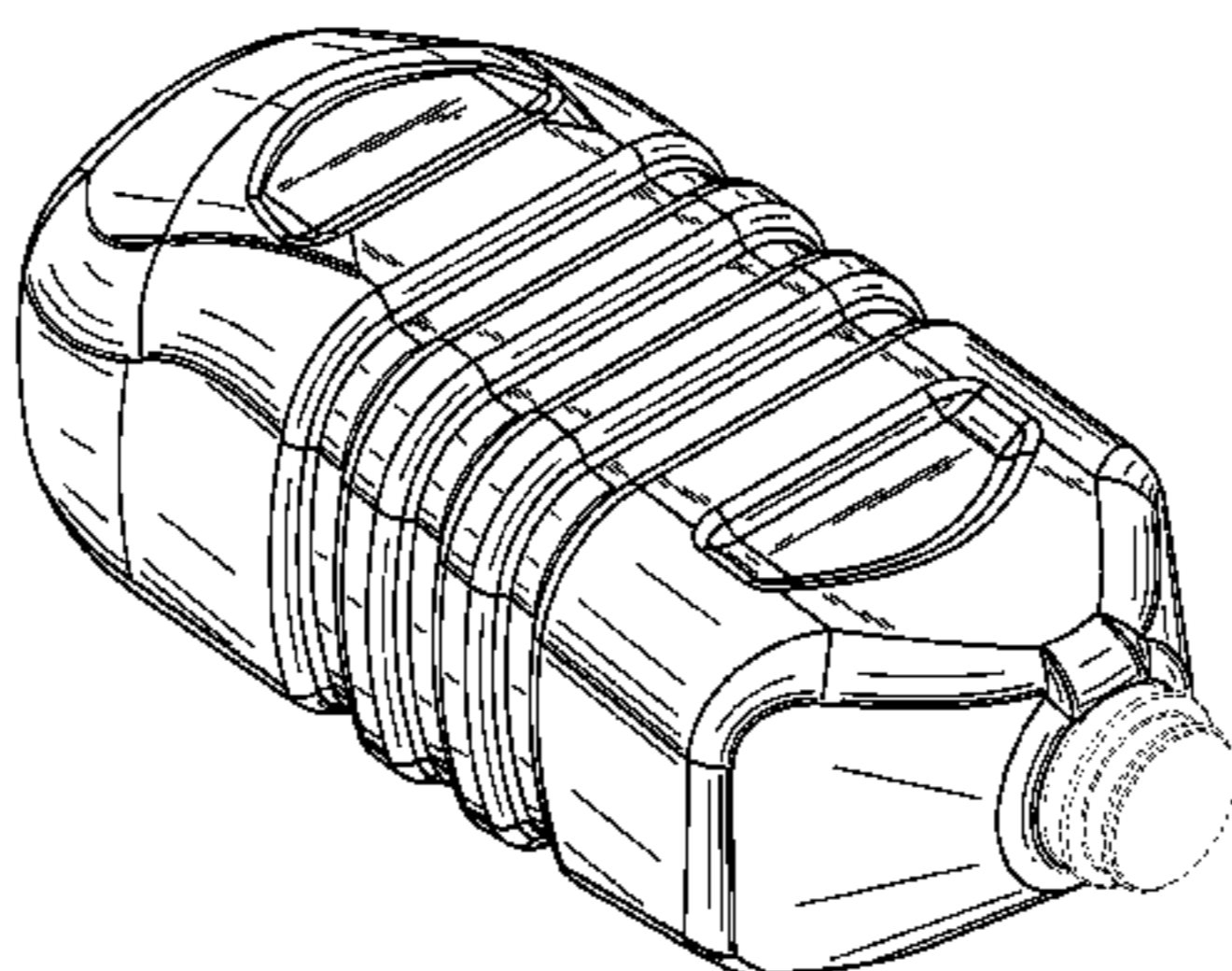
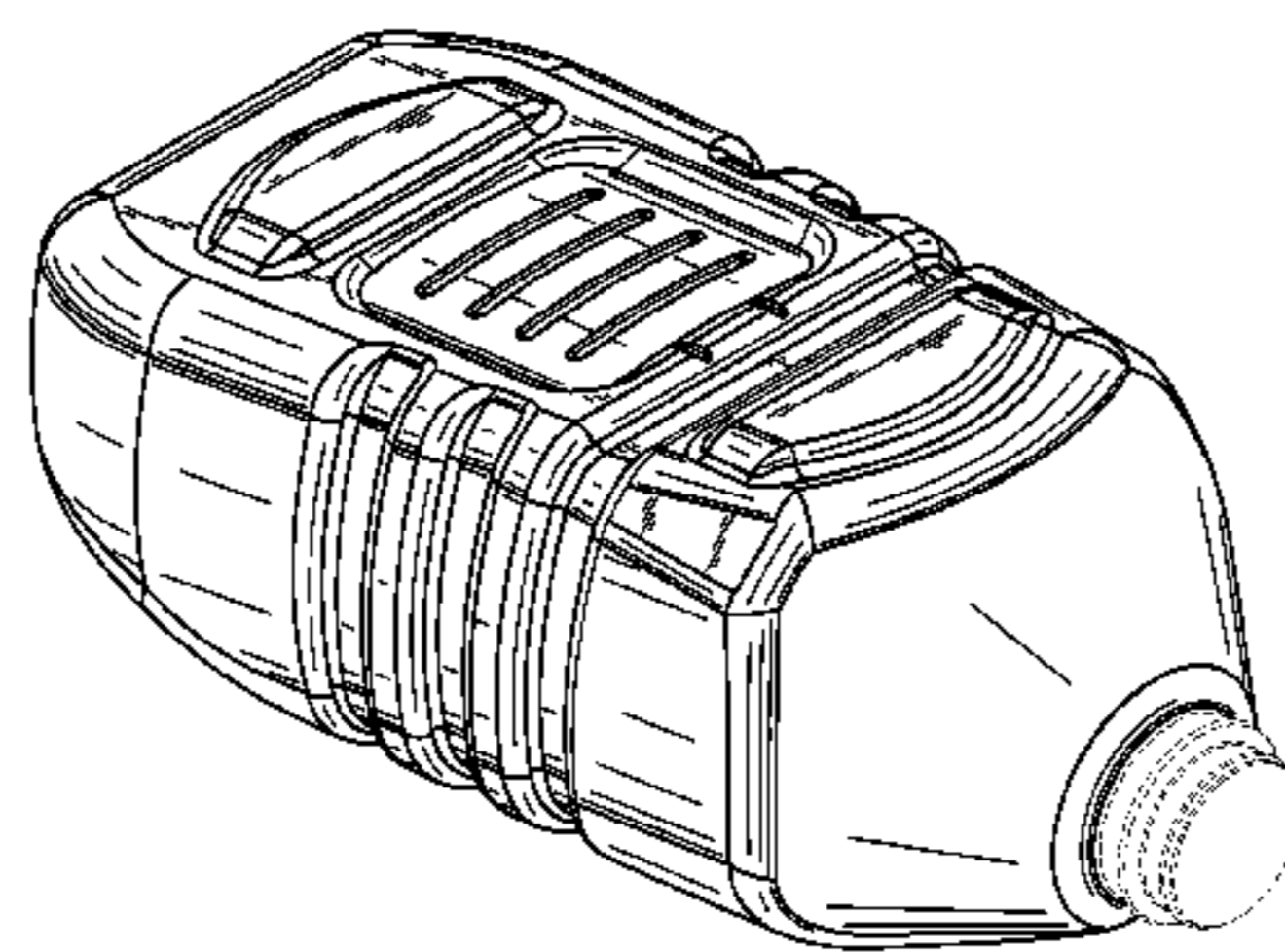
FIG. 8 is a rear elevation view thereof;

FIG. 9 is a right side elevation view of two nested plastic
containers as shown in FIG. 1, in use condition; and,

FIG. 10 is a cross sectional view taken along line 10—10 in
FIG. 7.

The broken line showing of a pour spout, a bottom of the
bottle, and a bottle in FIGS. 9 and 10 is included for the
purpose of illustrating only and forms no part of the claimed
design.

1 Claim, 4 Drawing Sheets



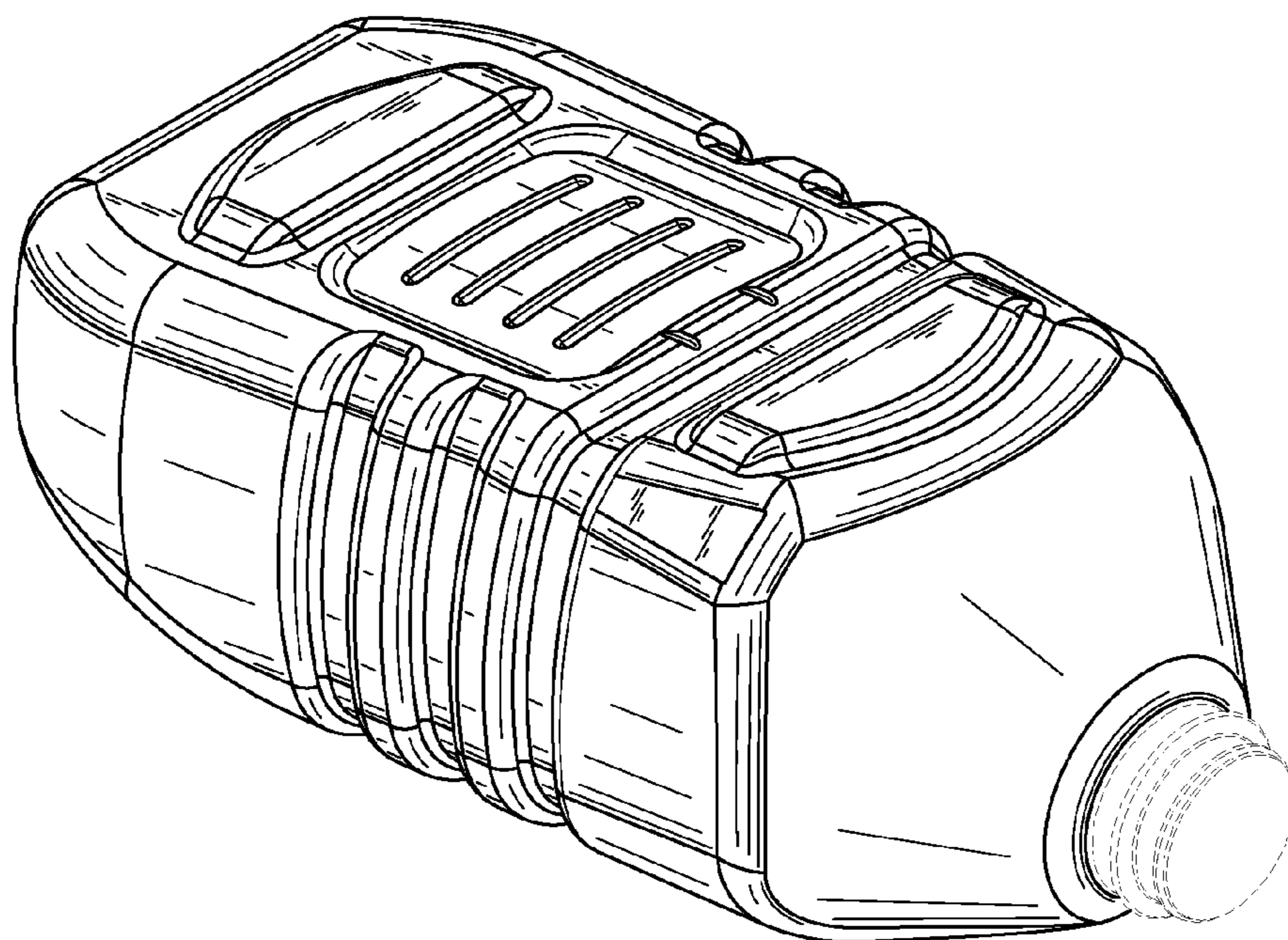


FIG. 1

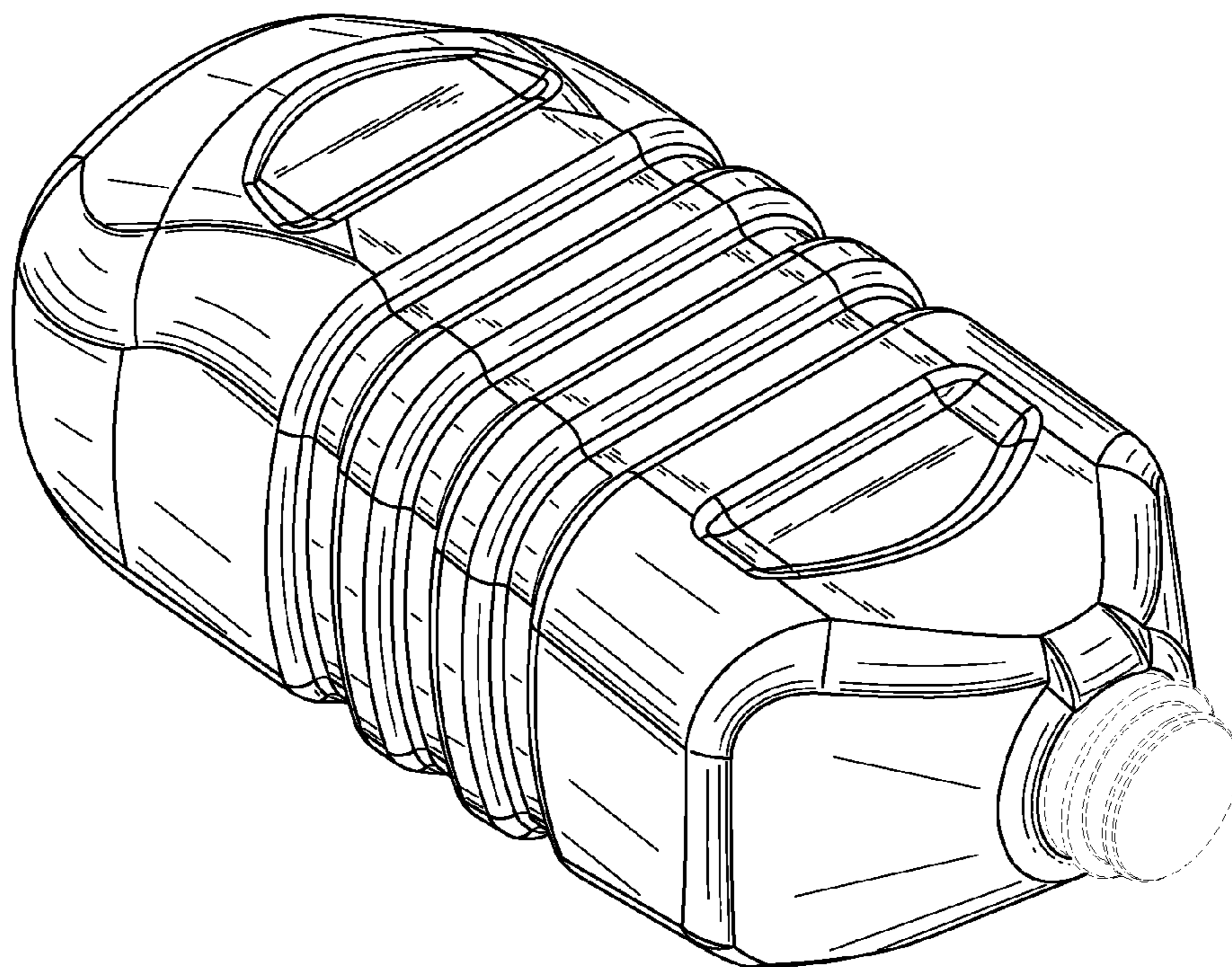


FIG. 2

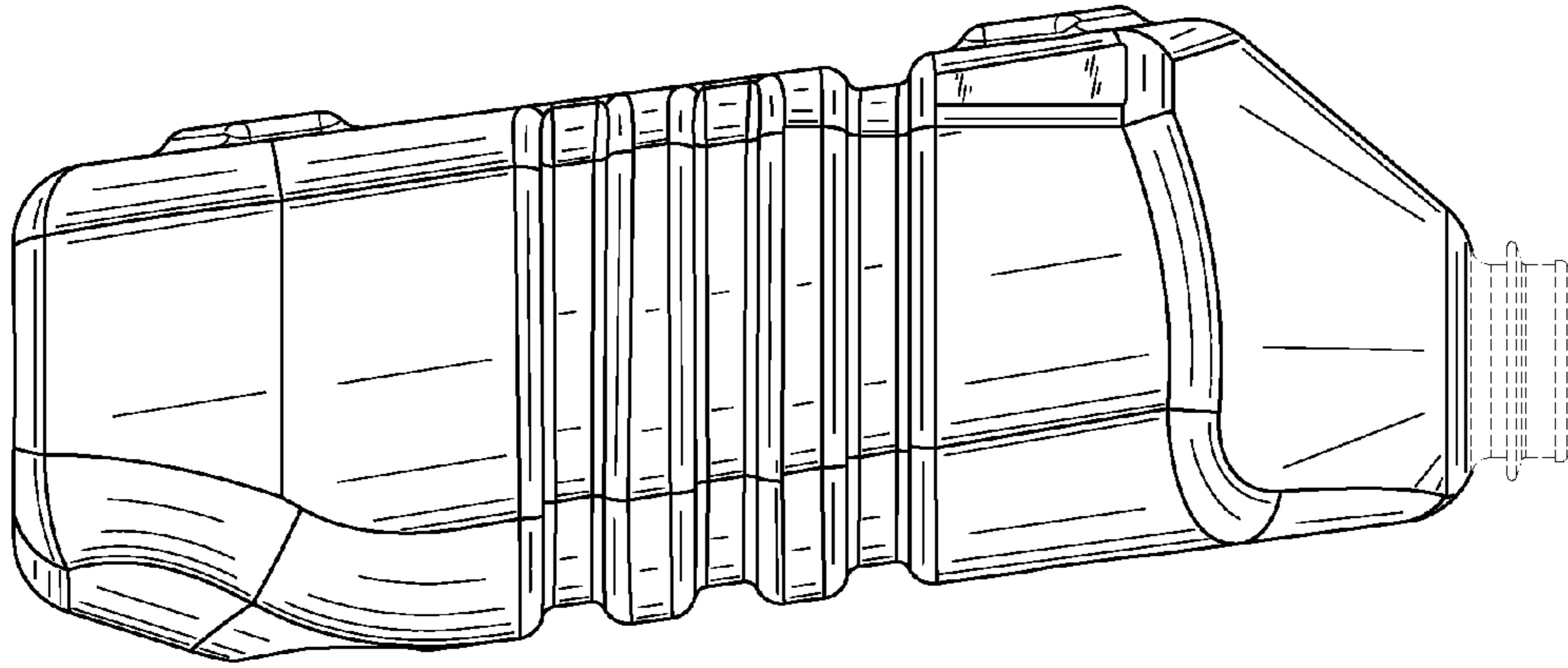


FIG. 3

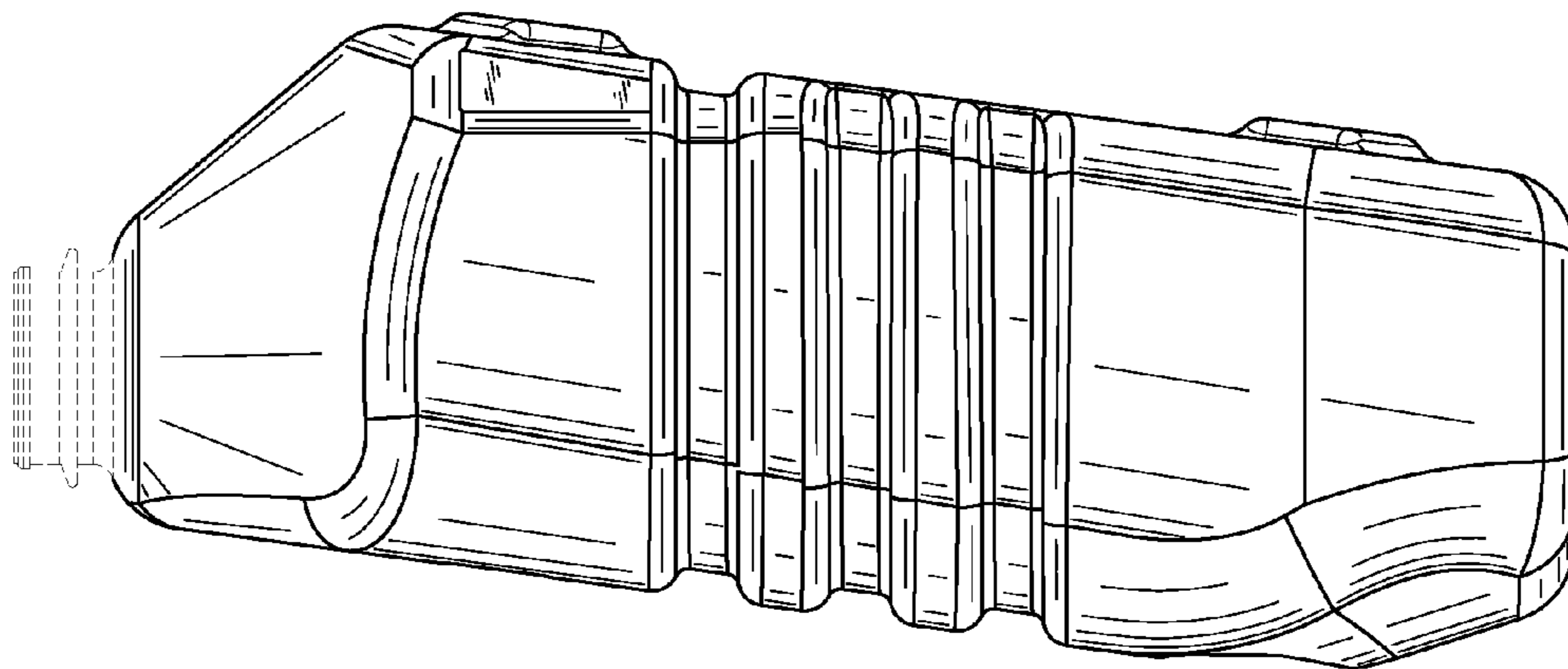


FIG. 4

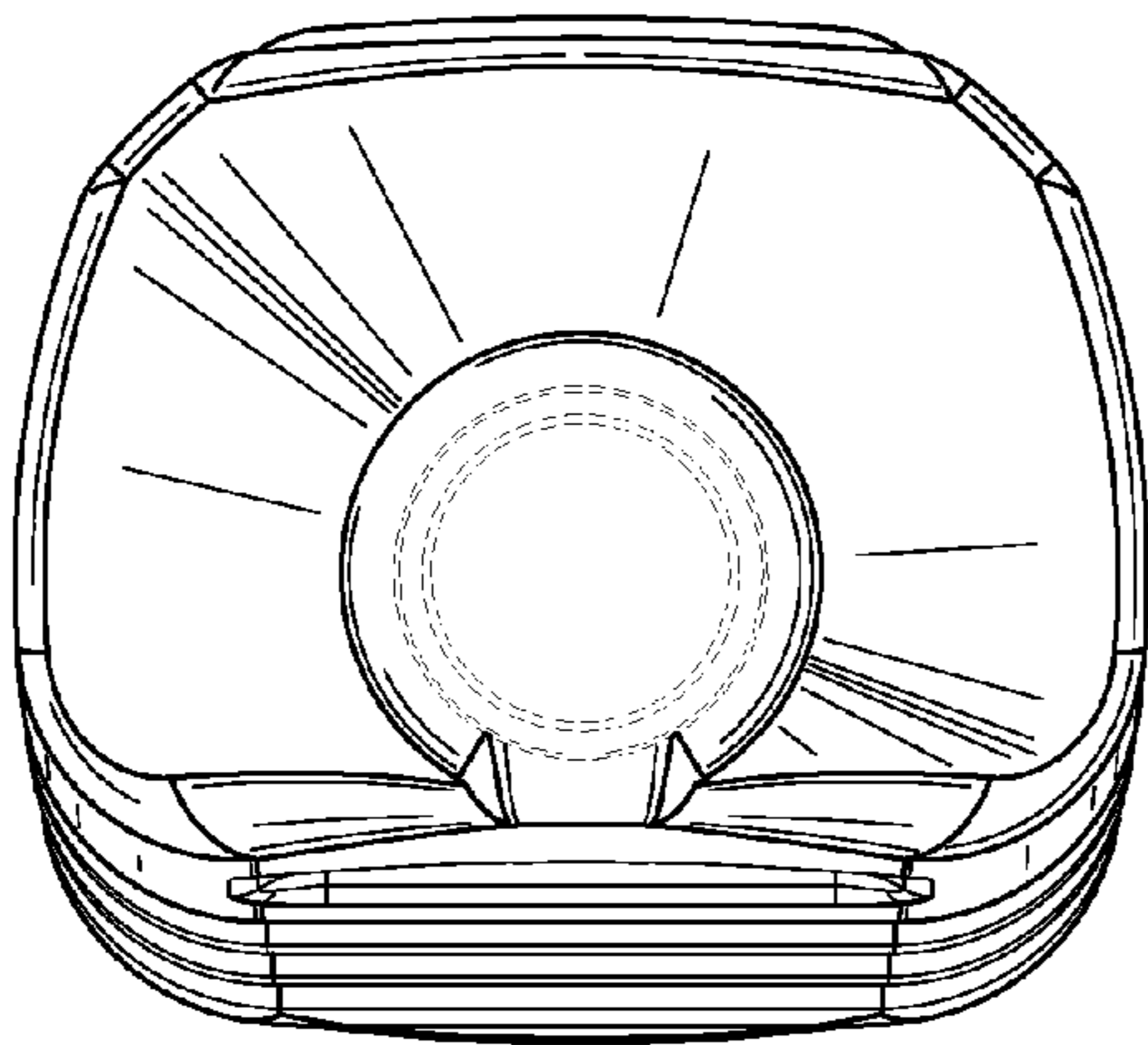


FIG. 5

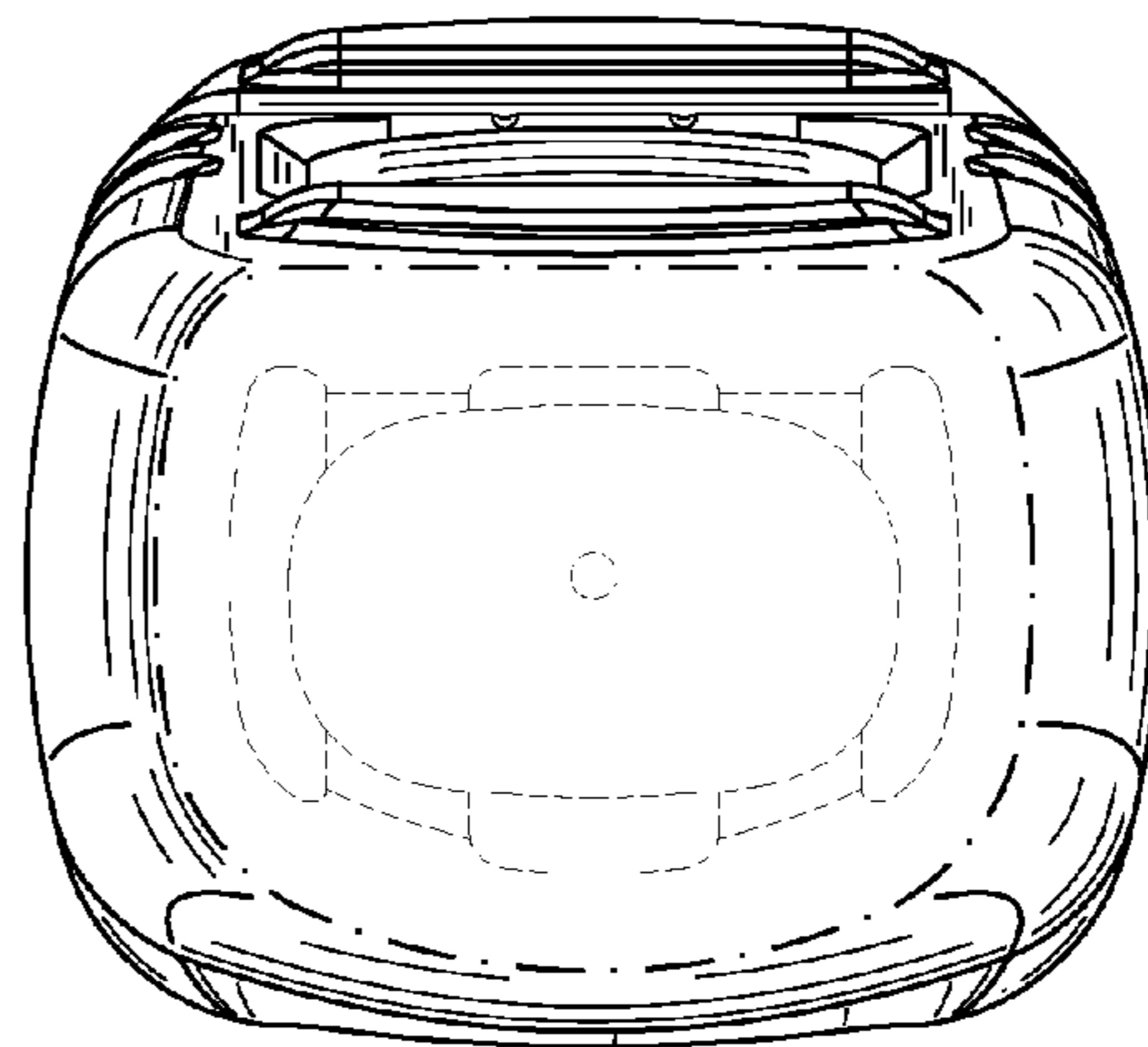


FIG. 6

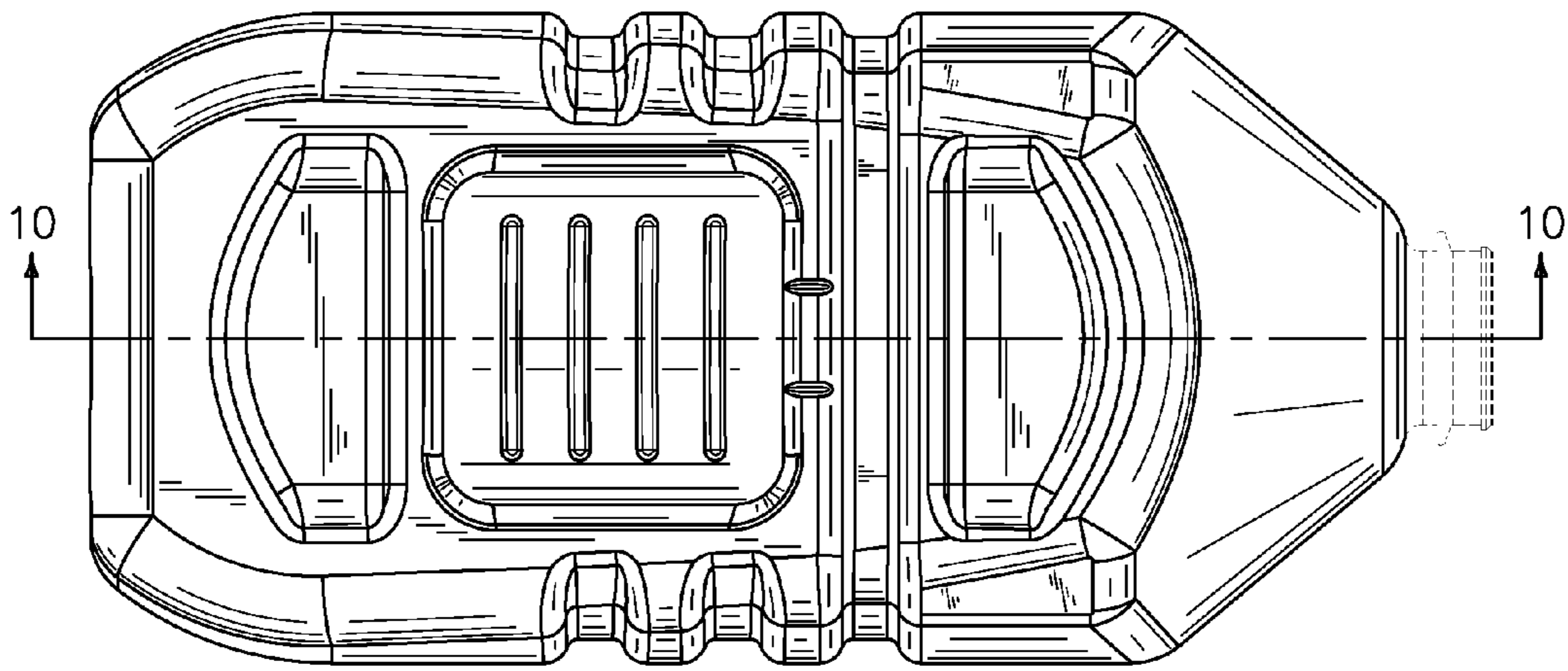


FIG. 7

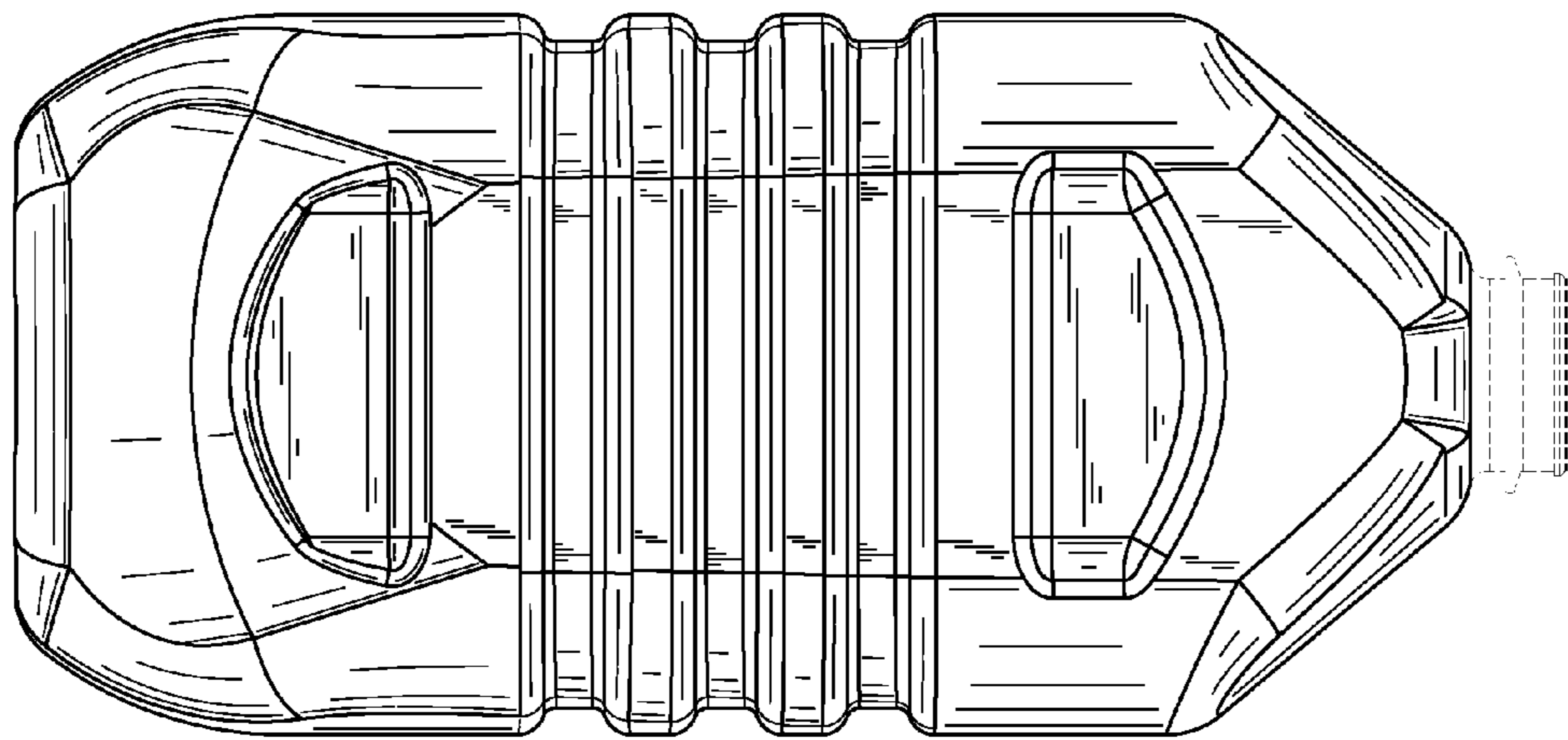


FIG. 8

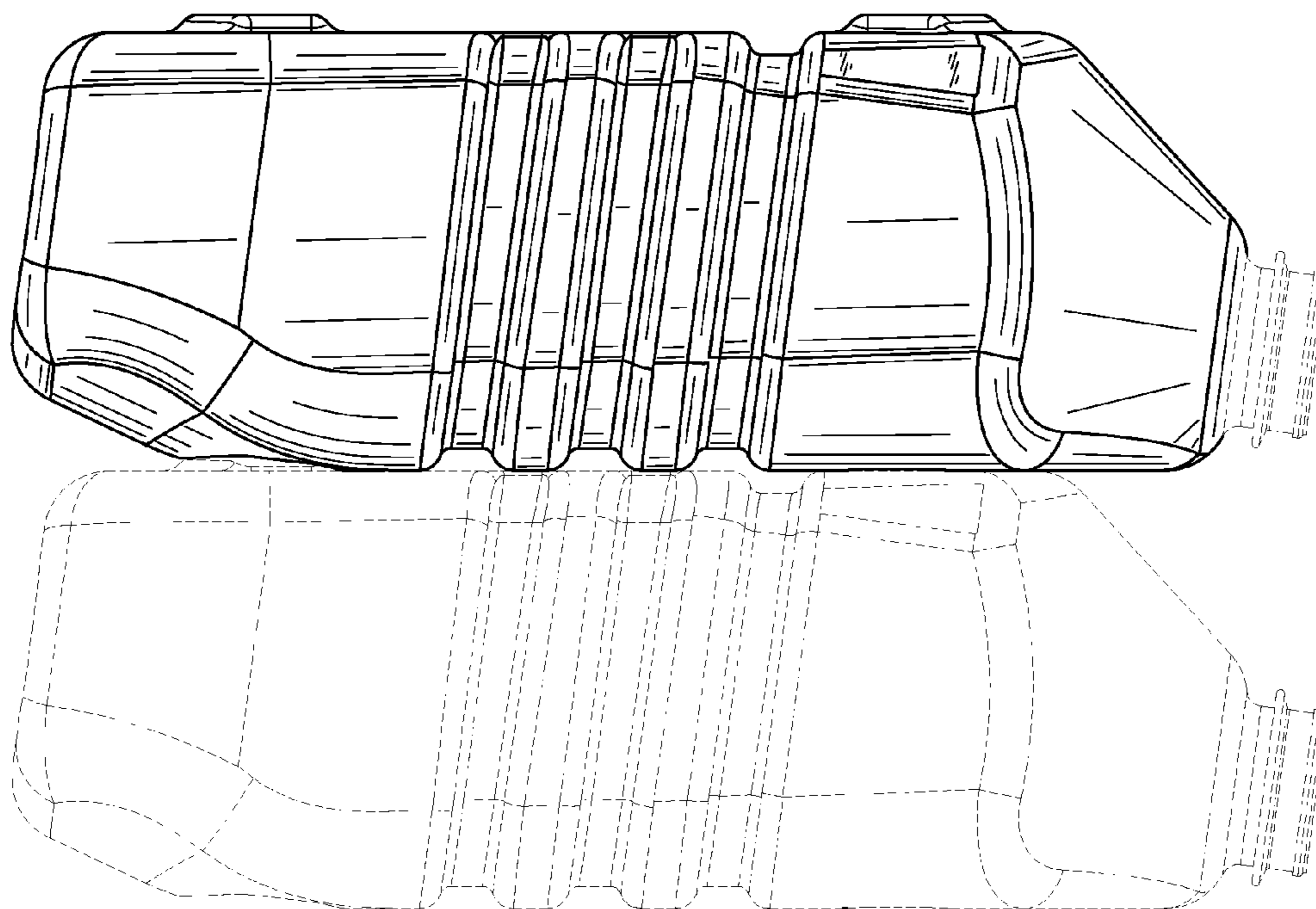


FIG. 9

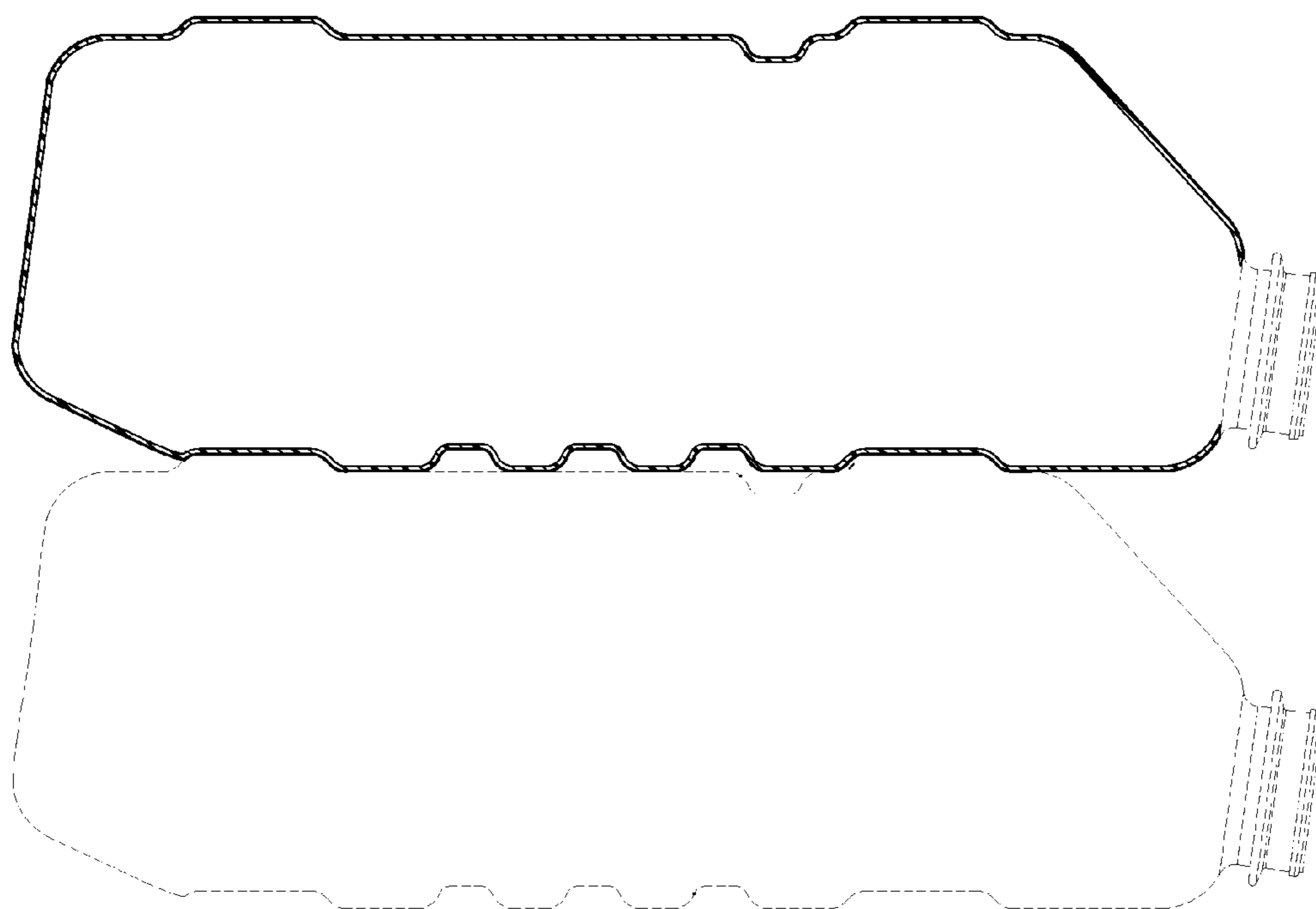


FIG. 10