



US00D601416S

(12) **United States Design Patent**
Fosse et al.

(10) **Patent No.:** **US D601,416 S**
(45) **Date of Patent:** **** Oct. 6, 2009**

(54) **BAKERY GOODS CONTAINER**

(75) Inventors: **David B. Fosse**, Saint Francis, MN (US);
Daniel K. Fosse, Cambridge, MN (US)

(73) Assignee: **Lindar Corporation**, Baxter, MN (US)

(**) Term: **14 Years**

(21) Appl. No.: **29/313,734**

(22) Filed: **Feb. 5, 2009**

(51) **LOC (9) Cl.** **09-03**

(52) **U.S. Cl.** **D9/425**

(58) **Field of Classification Search** D9/414–416,
D9/418–420, 423–428, 430–432, 434, 435;
D7/354, 392.1, 394, 396.1, 538, 543–545,
D7/550.1, 551, 554.3, 587, 566, 575, 584,
D7/586, 629, 667; 220/4.21–4.24, 293, 574,
220/602–608, 659, 675, 781–782, 793, 835,
220/839; 206/119, 467, 470, 508, 521.1,
206/545, 806; 229/406; 219/725, 728, 732,
219/735; D23/359; D3/302, 314

See application file for complete search history.

(56) **References Cited**

U.S. PATENT DOCUMENTS

2,246,695 A * 6/1941 Phillips 312/284
3,690,902 A * 9/1972 Dahl 426/115
D227,979 S * 7/1973 Bird D9/429
4,375,862 A * 3/1983 Kurinsky et al. 220/293
D290,232 S * 6/1987 Holzkopf et al. D9/424
4,863,058 A * 9/1989 Antoni et al. 220/675
4,867,303 A * 9/1989 Beckerman et al. 206/467
D341,777 S * 11/1993 Sheu D9/415
D345,912 S * 4/1994 Krupa D9/429
D348,392 S * 7/1994 Tannen D9/415
D352,000 S * 11/1994 Hansen et al. D9/429
5,613,607 A * 3/1997 Kalmanides et al. 206/467
D383,386 S * 9/1997 Loubach D9/415
D398,848 S * 9/1998 Wyslotsky et al. D9/425
D424,428 S * 5/2000 Hart D9/415
D424,432 S * 5/2000 Knutson et al. D9/430
6,073,795 A * 6/2000 Longstreth 220/574
D445,310 S * 7/2001 Brown D7/629
D450,580 S * 11/2001 Littlejohn et al. D9/429
D499,645 S * 12/2004 Edwards D9/429

D583,658 S * 12/2008 Follansbee et al. D9/425
D592,497 S * 5/2009 Brown D9/424

* cited by examiner

Primary Examiner—Philip S Hyder

Assistant Examiner—Susan E Krakower

(74) *Attorney, Agent, or Firm*—Kinney & Lange, P.A.

(57) **CLAIM**

The ornamental design for a bakery goods container, as shown and described.

DESCRIPTION

FIG. 1 is an isometric view of a bakery goods container in a closed position;

FIG. 2 is a front view of the bakery goods container in a closed position;

FIG. 3 is a rear view of the bakery goods container in a closed position;

FIG. 4 is a right side view of the bakery goods container in a closed position;

FIG. 5 is a left side view of the bakery goods container in a closed position;

FIG. 6 is a top view of the bakery goods container in a closed position;

FIG. 7 is a bottom view of the bakery goods container in a closed position;

FIG. 8 is an isometric view of the bakery goods container in an open position;

FIG. 9 is a rear view of the bakery goods container in an open position;

FIG. 10 is a front view of the bakery goods container in an open position;

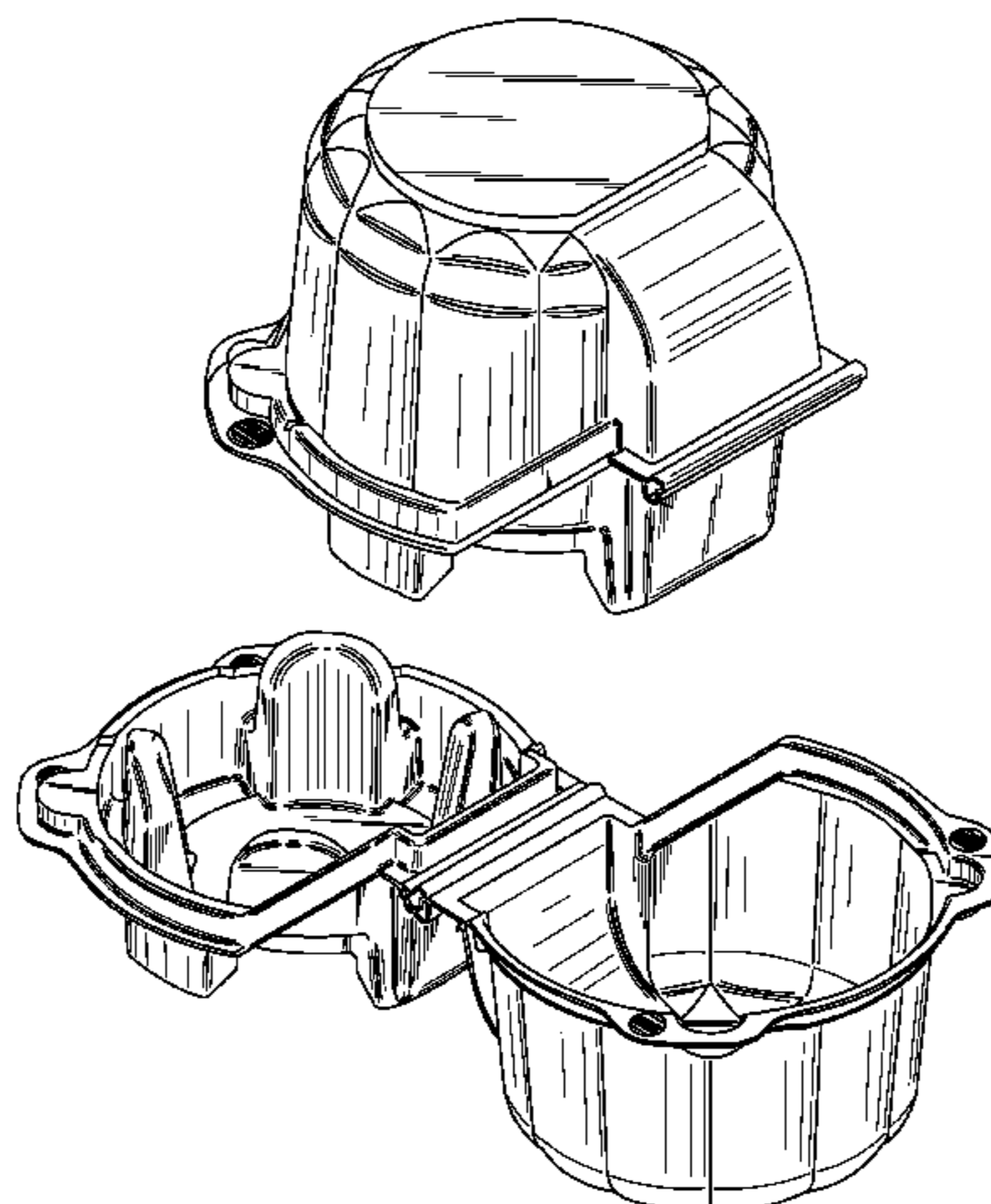
FIG. 11 is a right end view of the bakery goods container in an open position;

FIG. 12 is a left end view of the bakery goods container in an open position;

FIG. 13 is a top view of the bakery goods container in an open position; and,

FIG. 14 is a bottom view of the bakery goods container in an open position.

1 Claim, 11 Drawing Sheets



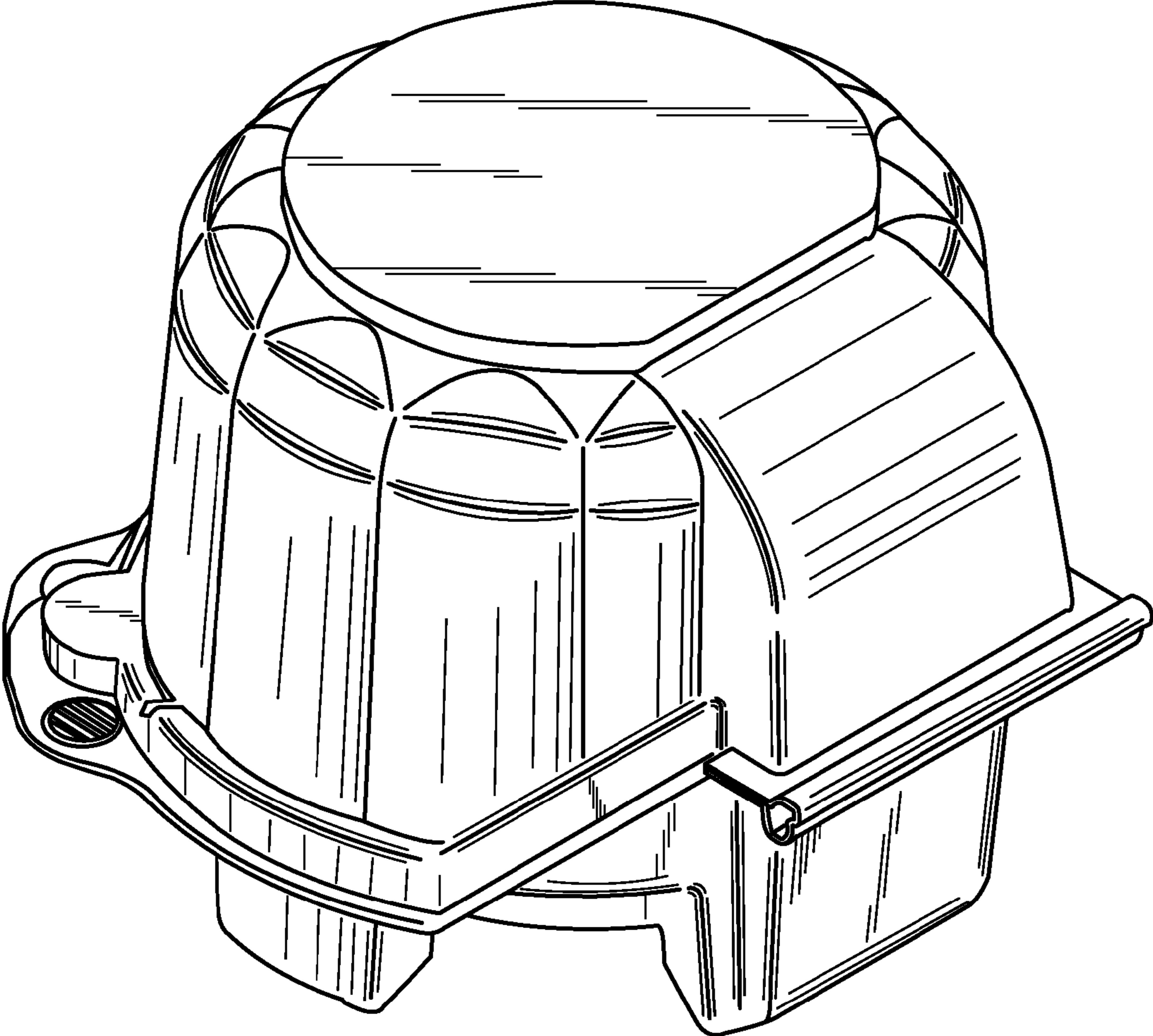


Fig. 1

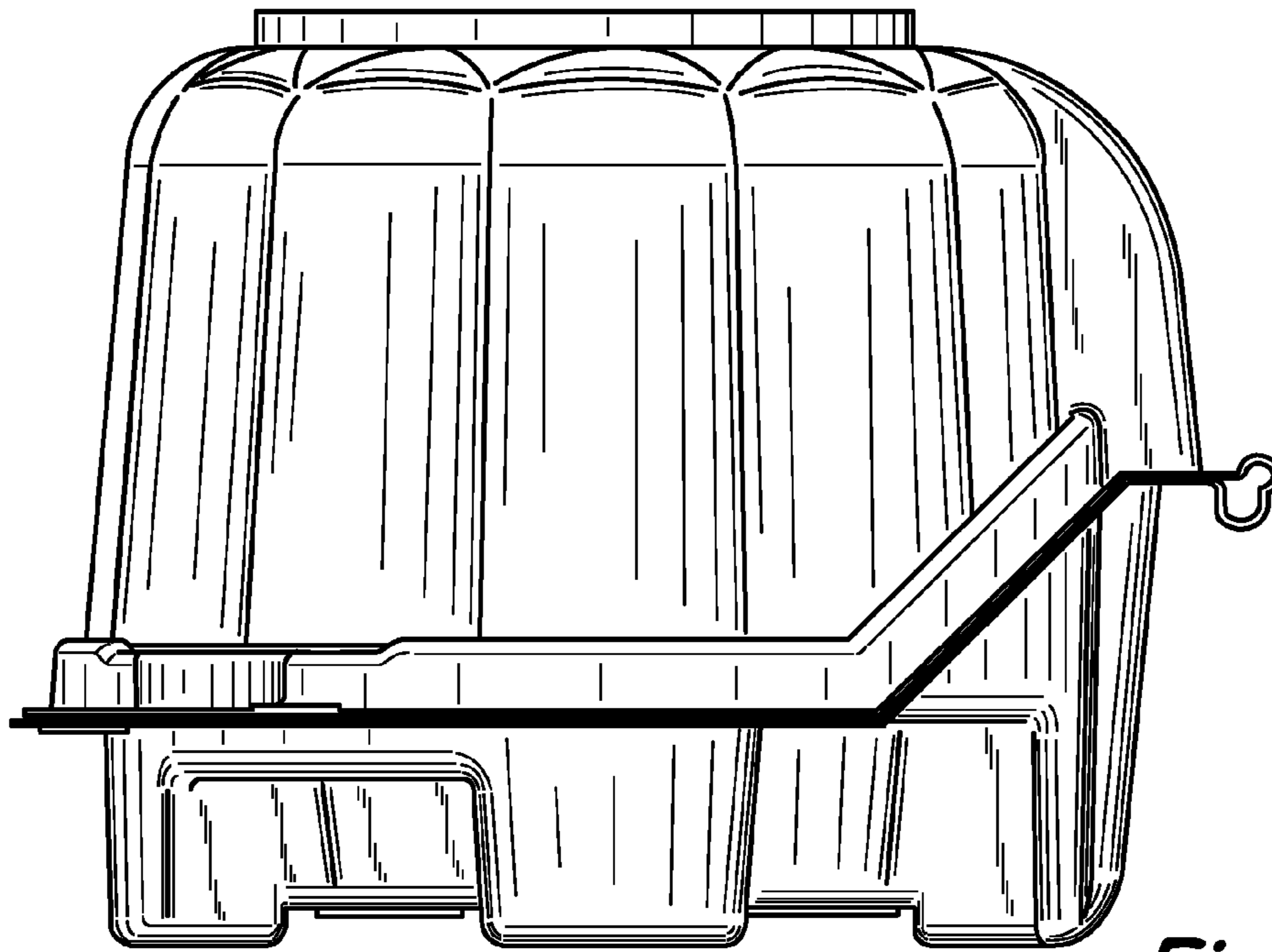


Fig. 2

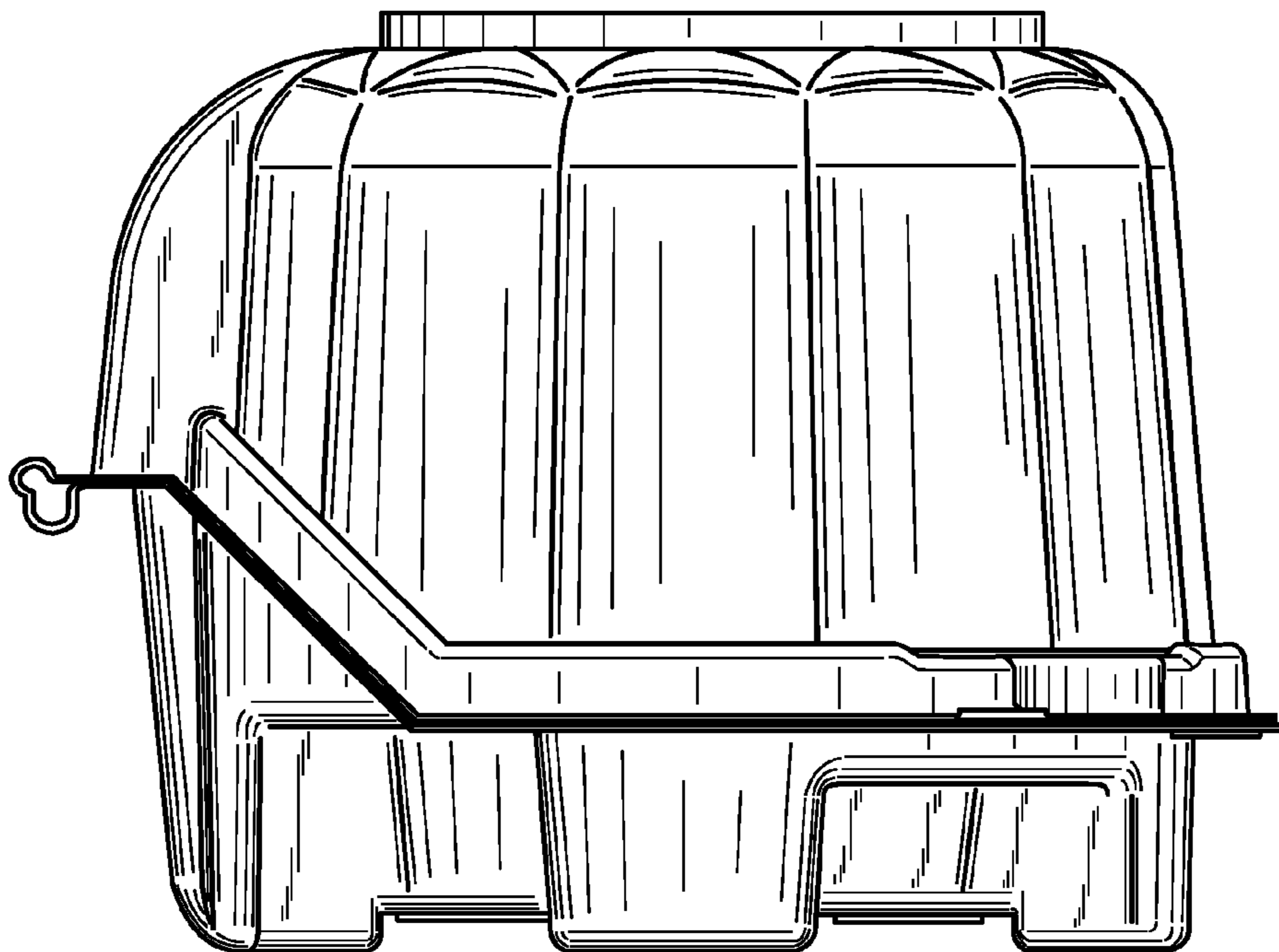


Fig. 3

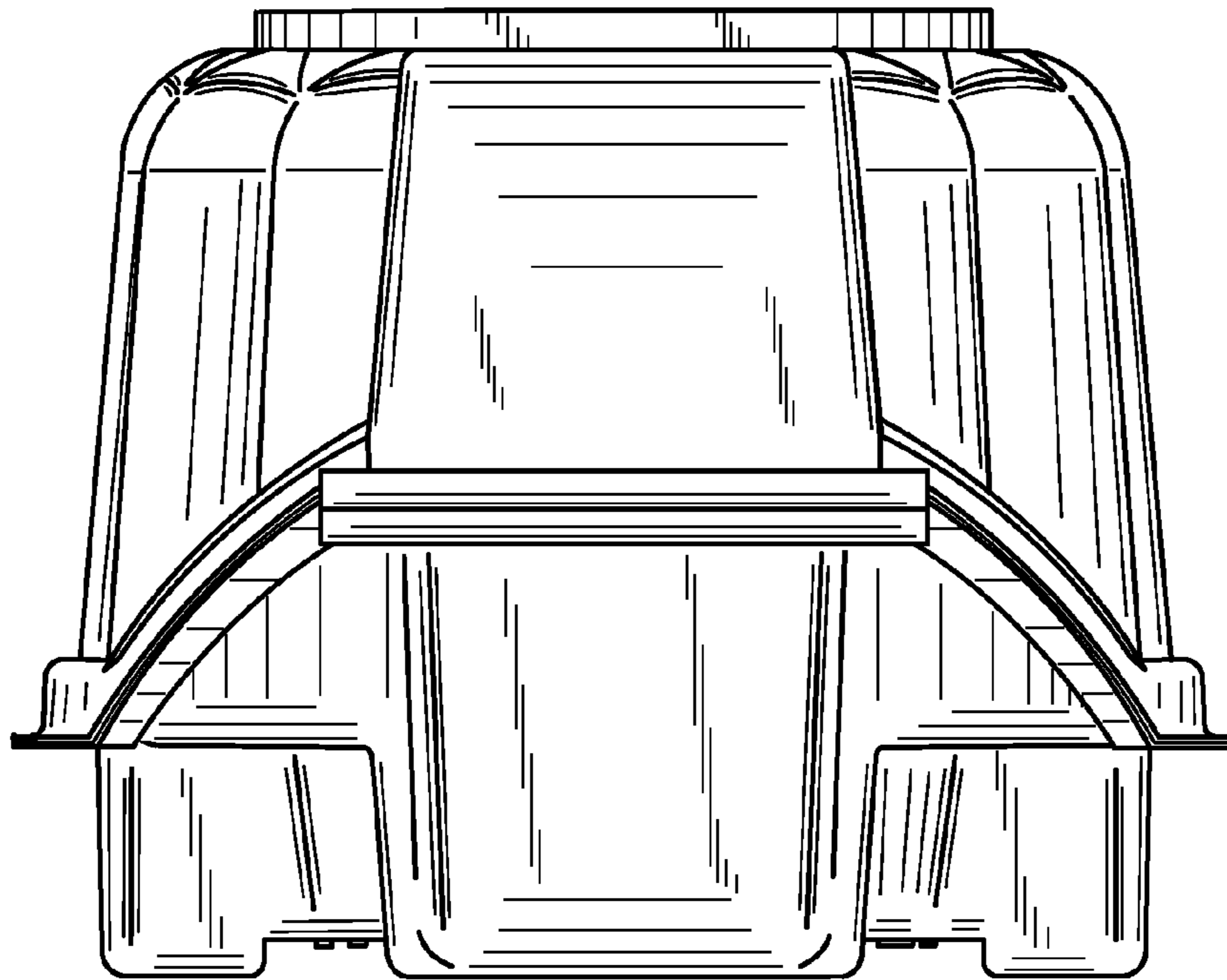


Fig. 4

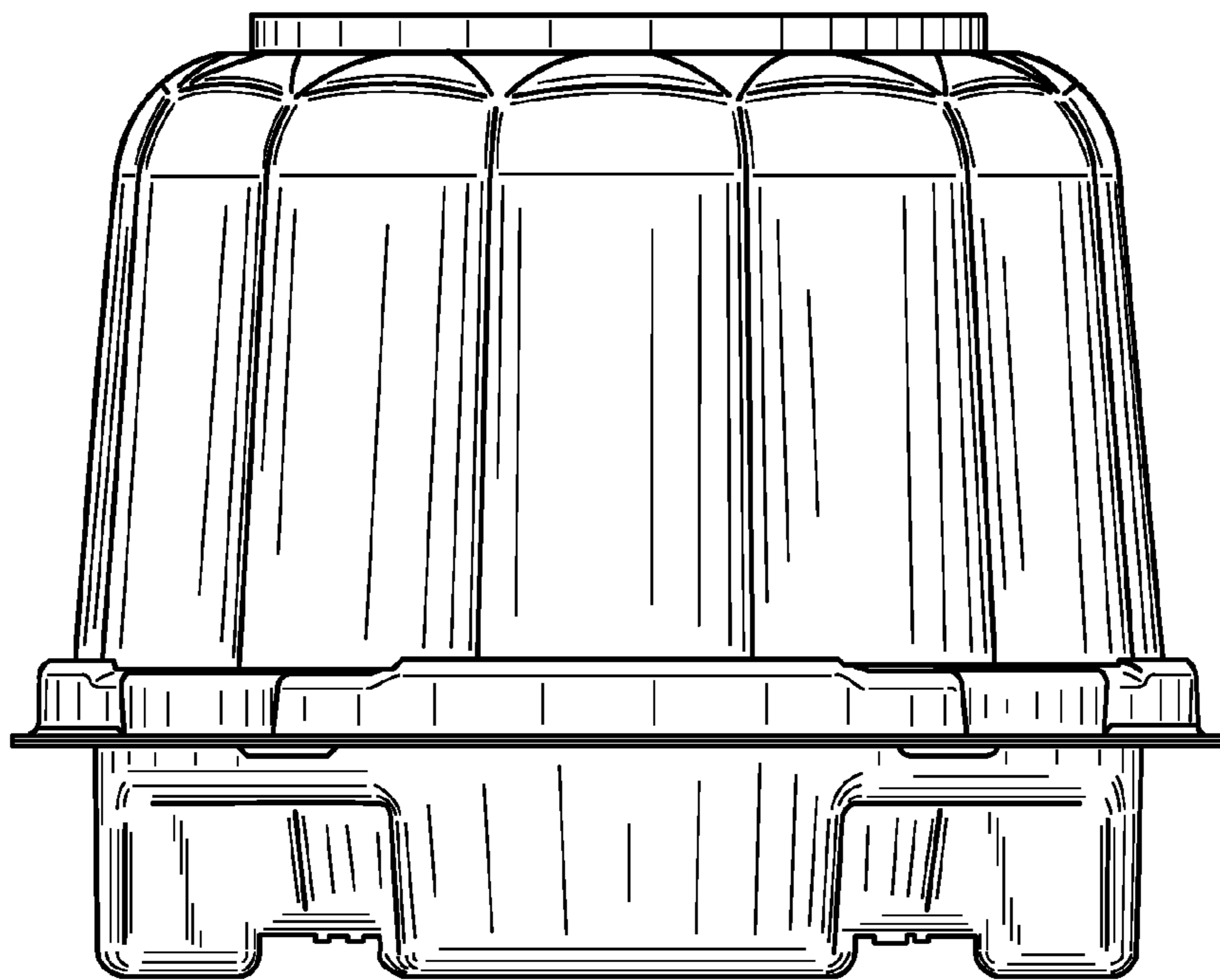


Fig. 5

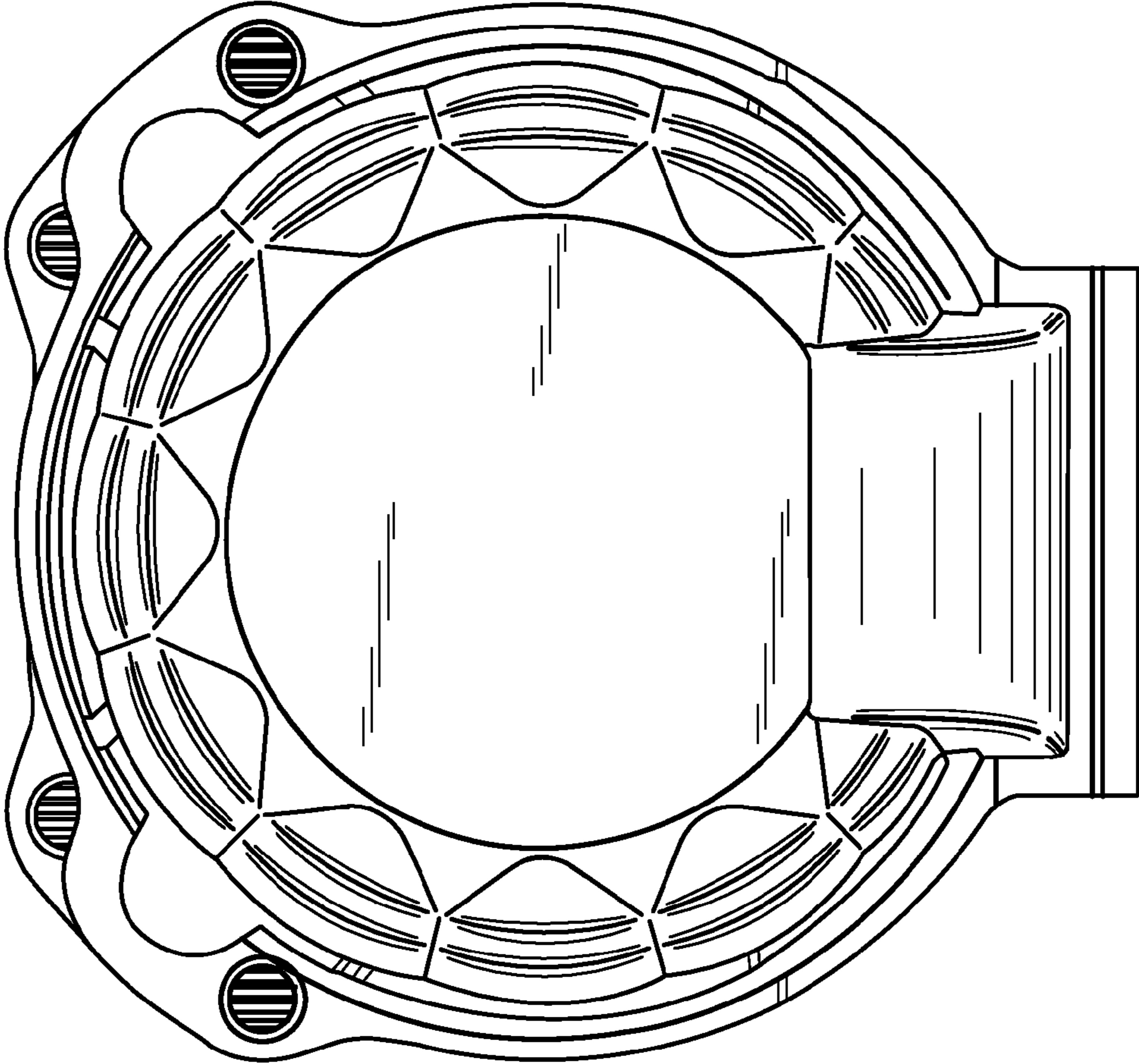


Fig. 6

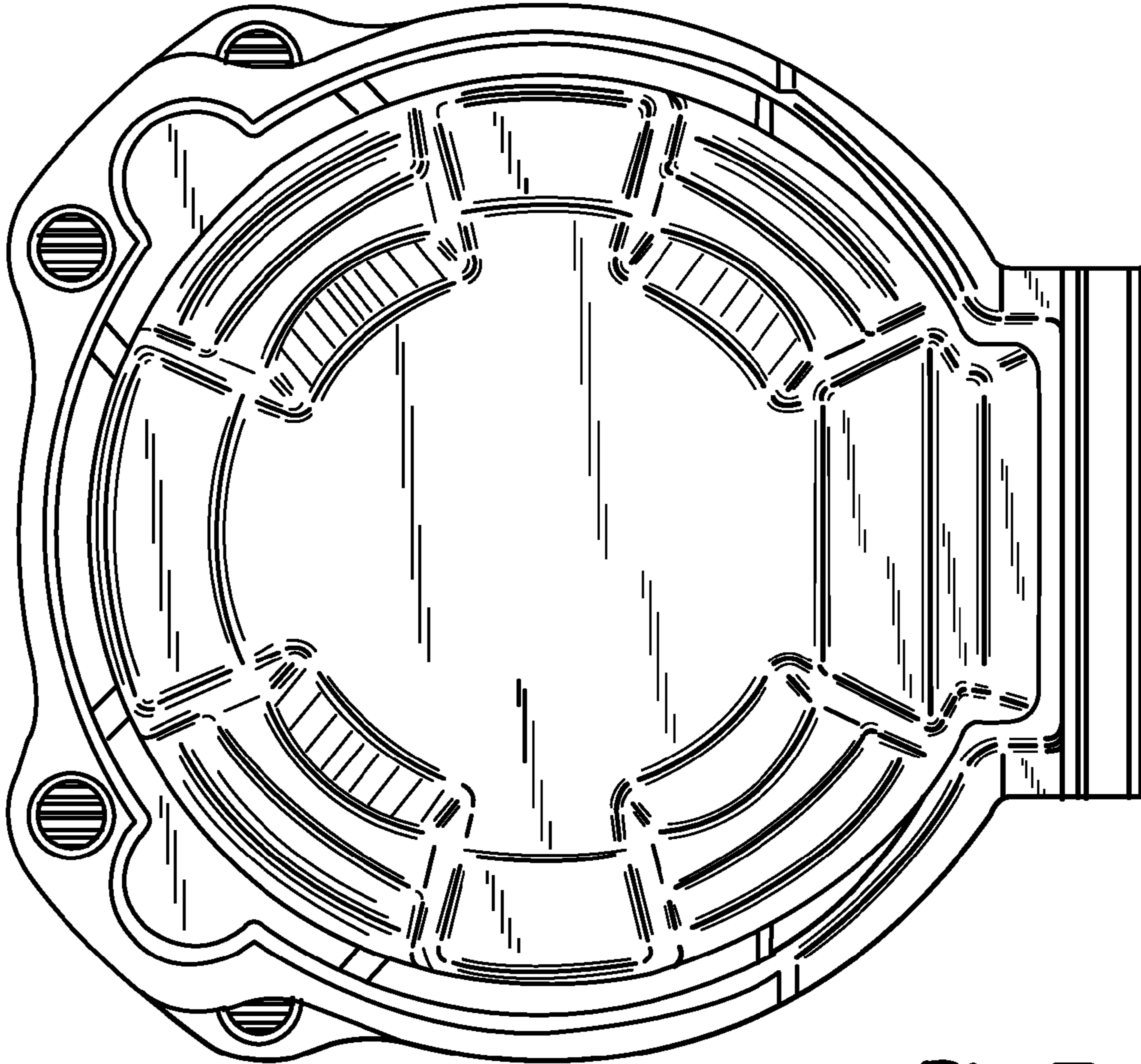


Fig. 7

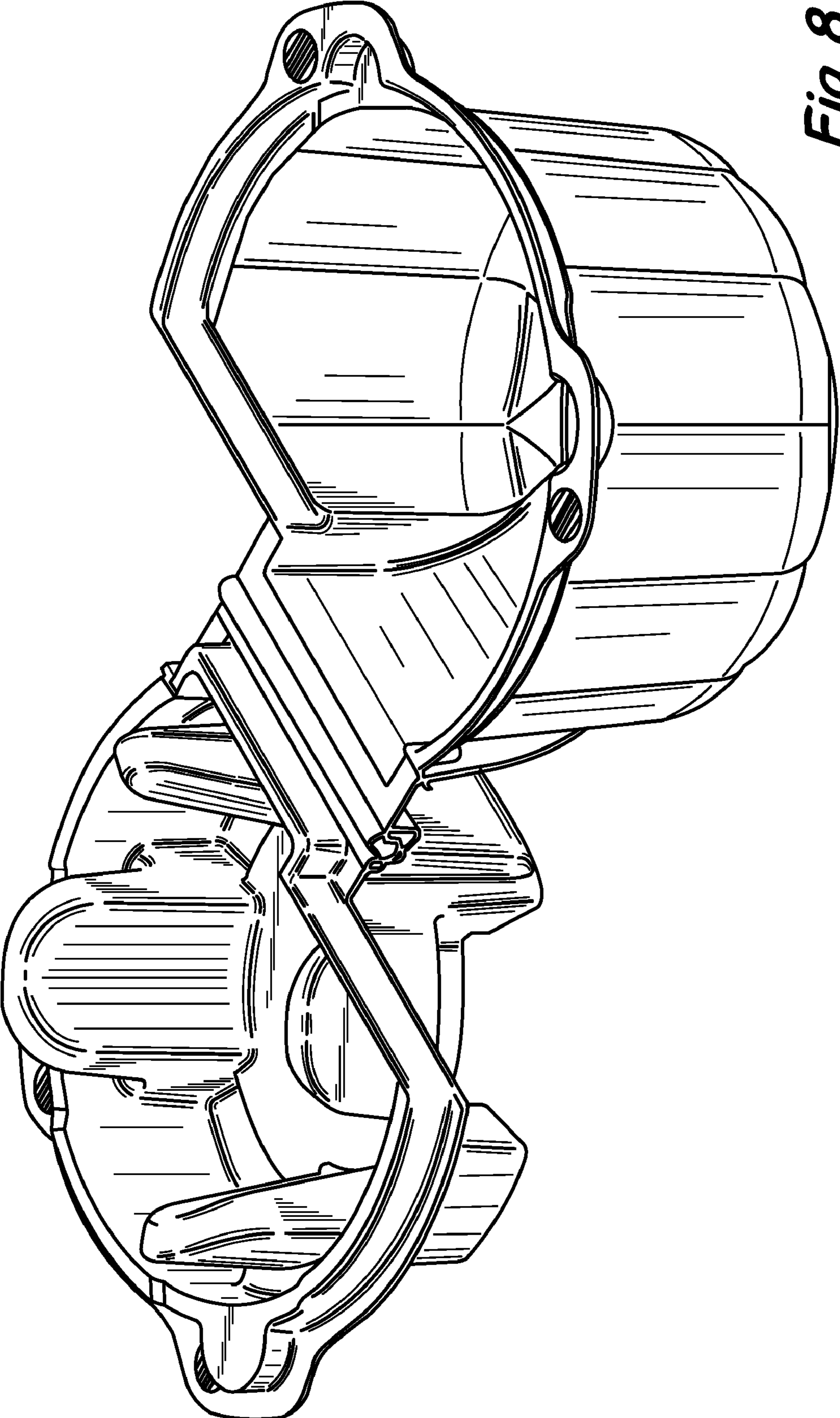


Fig. 8

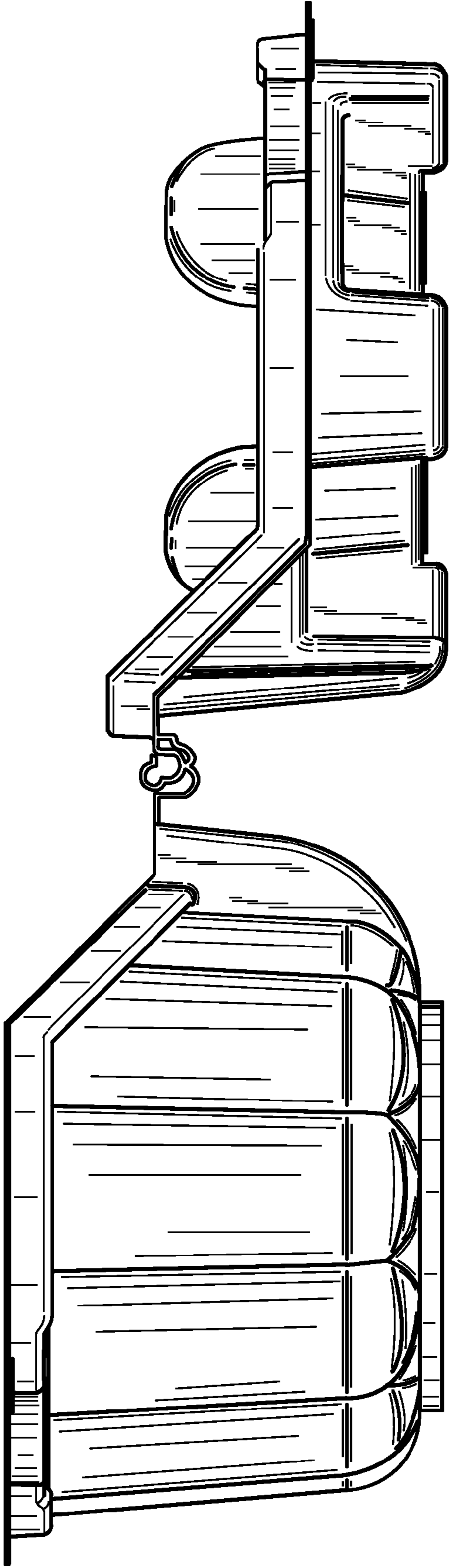


Fig. 9

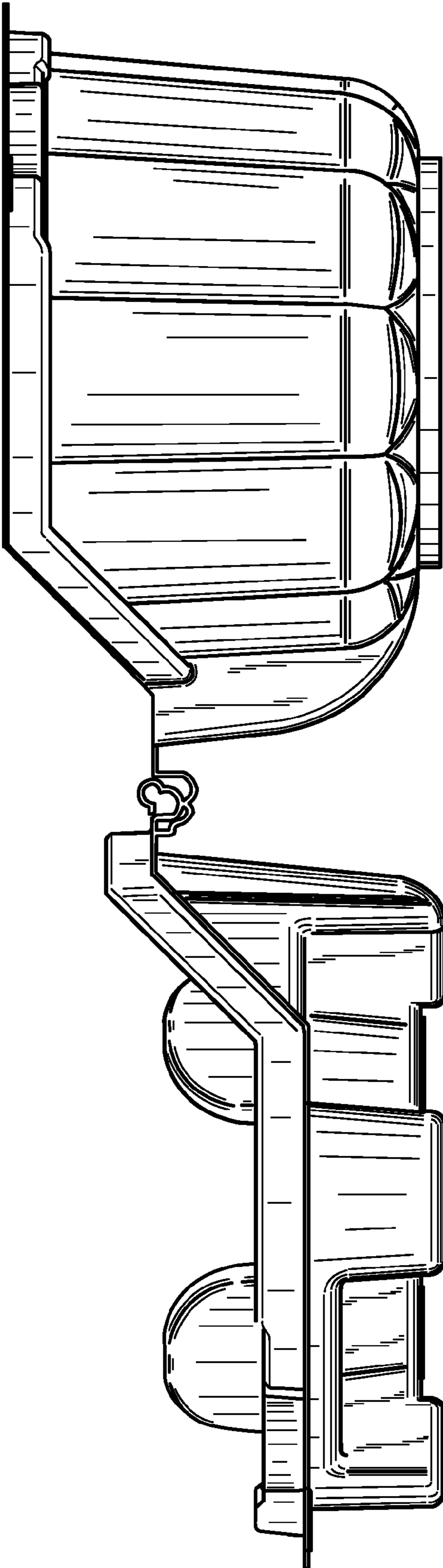


Fig. 10

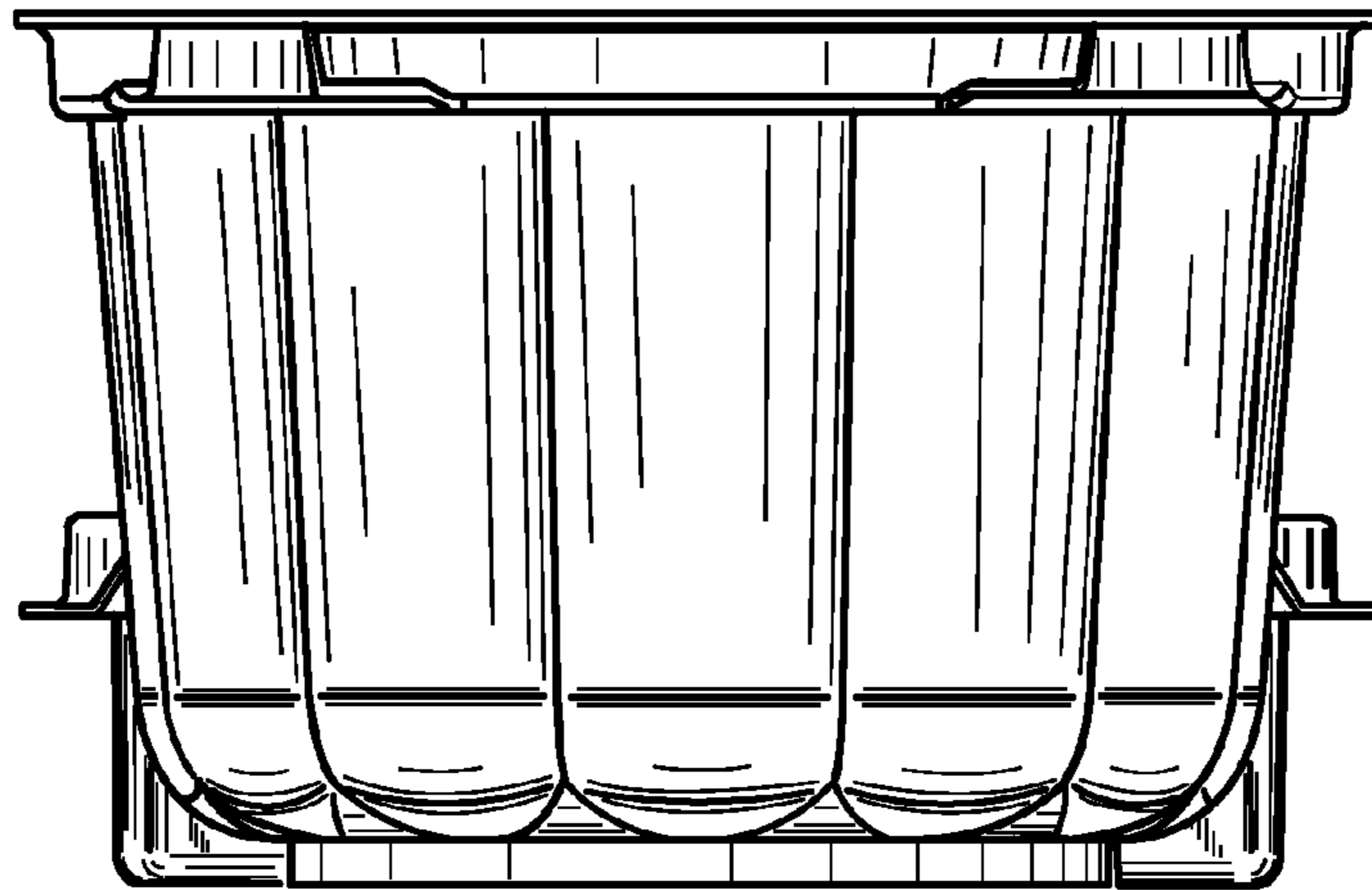


Fig. 11

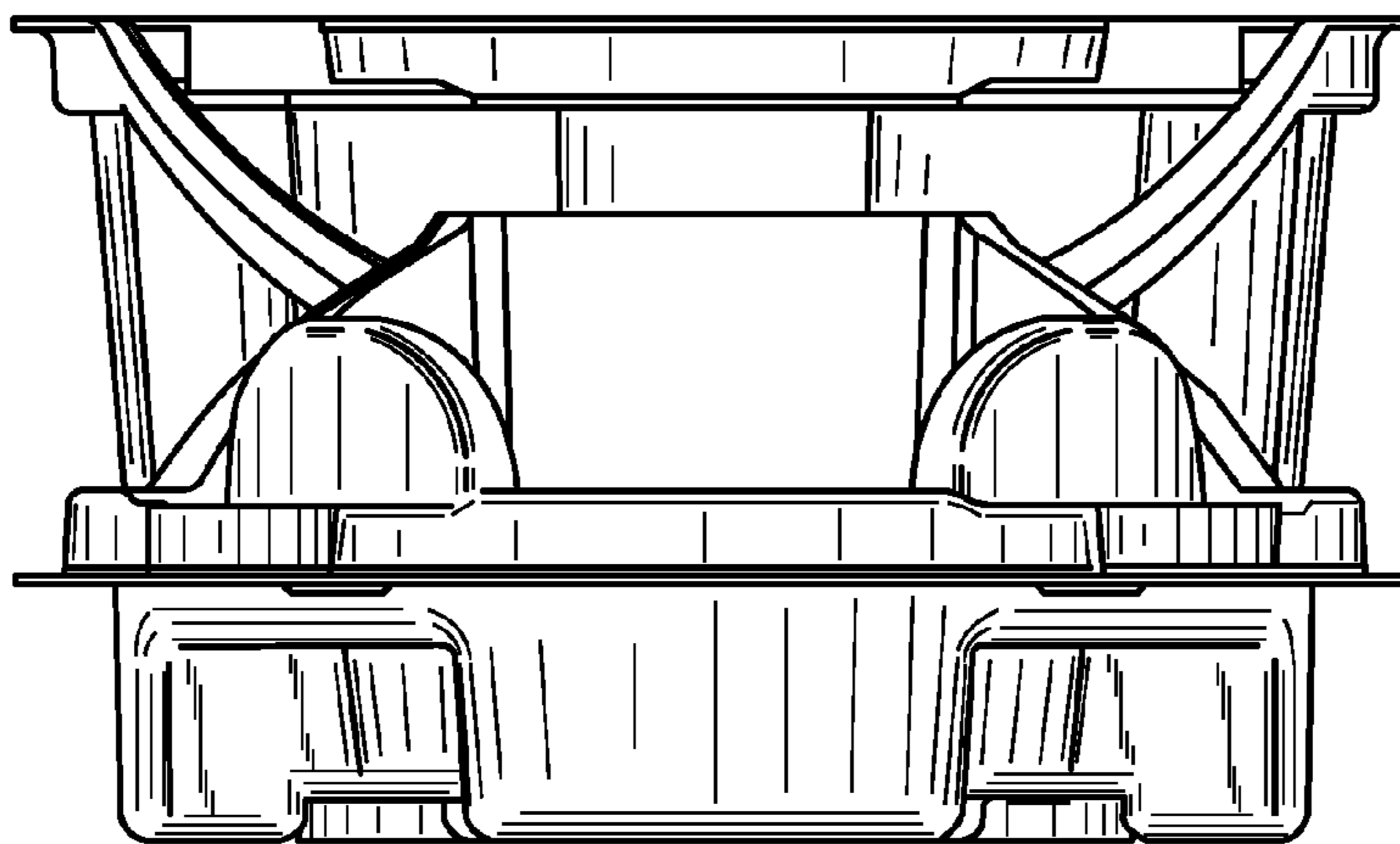


Fig. 12

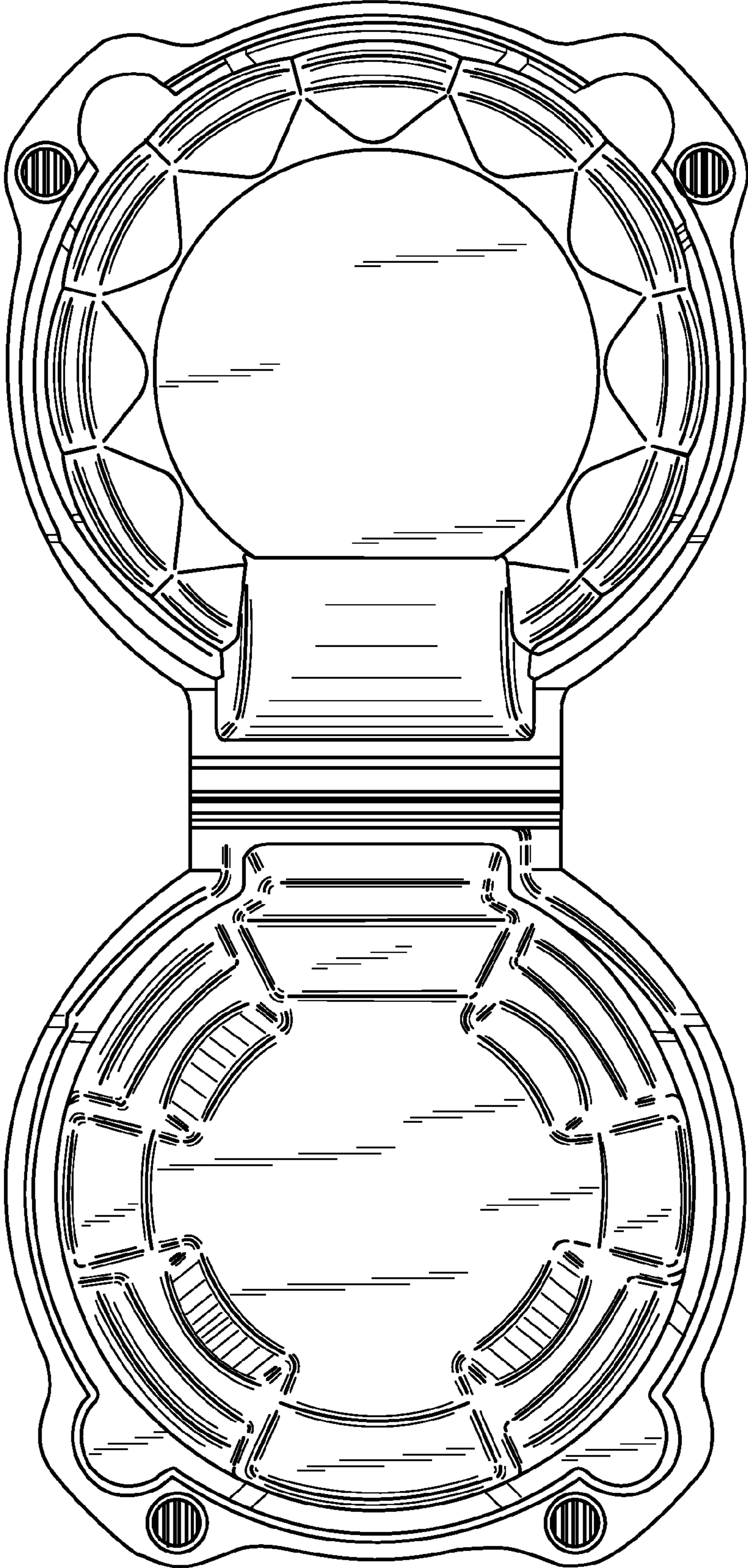


Fig. 13

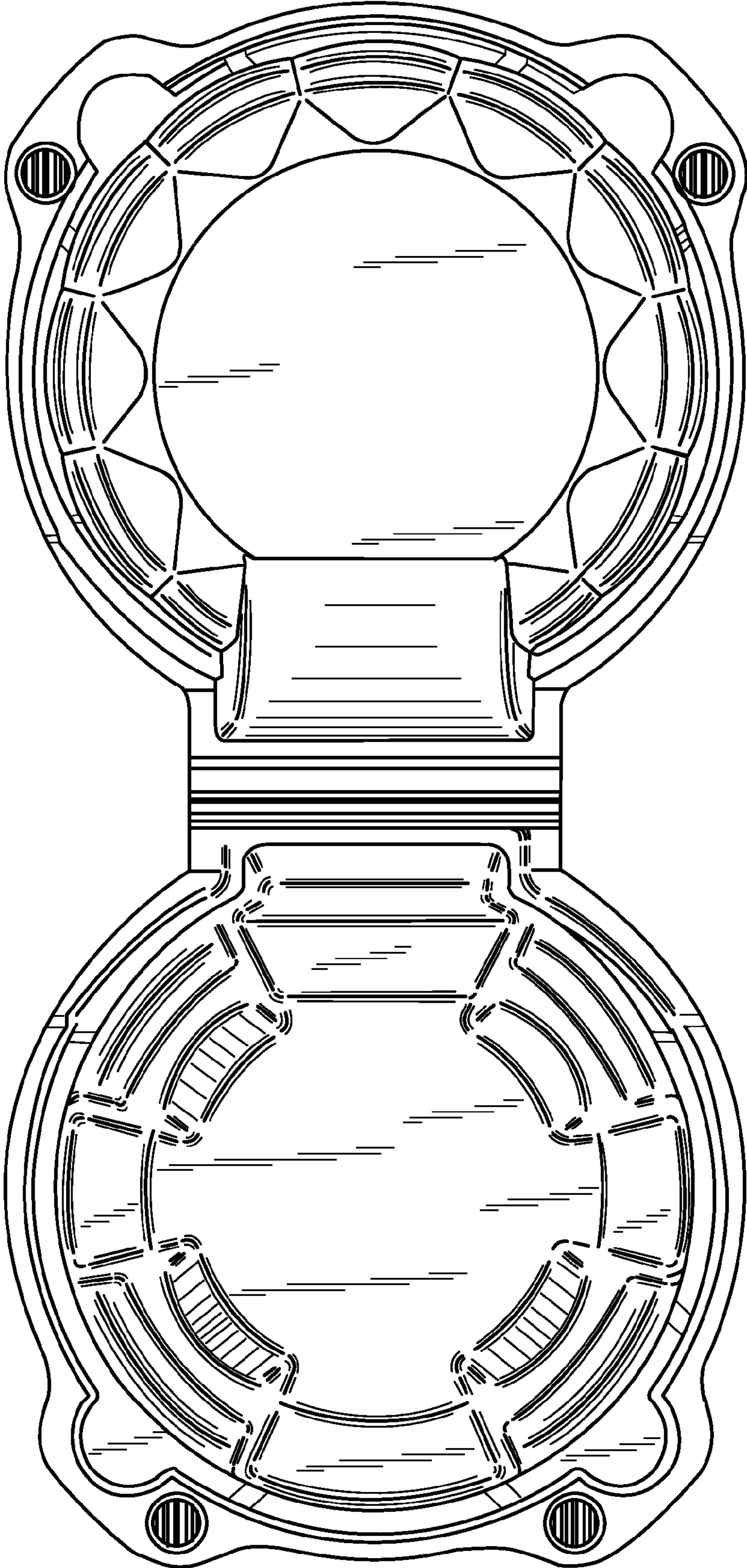


Fig. 14