



US00D601415S

(12) **United States Design Patent**
Seum et al.

(10) **Patent No.:** **US D601,415 S**
(45) **Date of Patent:** **** Oct. 6, 2009**

(54) **CARTON FOR STORING SUBSTRATES**

D386,079 S * 11/1997 Harper D9/418

(75) Inventors: **Susie Marie Seum**, Cincinnati, OH (US); **Marilyn Gale Perkins-Stanford**, Goshen, OH (US); **Tom Patrick Collins**, Mason, OH (US); **Ida Abdalkhani**, Cincinnati, OH (US)

(Continued)
Primary Examiner—Philip S Hyder
Assistant Examiner—Susan E Krakower
(74) *Attorney, Agent, or Firm*—Gary J. Foose; Ronald T. Sia; Kim W. Zerby

(73) Assignee: **The Procter & Gamble Company**, Cincinnati, OH (US)

(57) **CLAIM**

(**) Term: **14 Years**

The ornamental design for a carton for storing substrates, as shown and described.

(21) Appl. No.: **29/293,335**

DESCRIPTION

(22) Filed: **Nov. 16, 2007**

(51) **LOC (9) Cl.** **09-03**

(52) **U.S. Cl.** **D9/418; D9/432**

(58) **Field of Classification Search** D9/414–418, D9/420–426, 430–433, 761, 737, 757; D7/357, D7/629, 602, 553.1–553.8, 538, 591, 615; 206/315.9, 485, 521.1, 539, 564, 541, 546, 206/588, 766, 779, 822; 220/23.8, 23.83, 220/315, 324, 326, 367, 556, 4.21, 4.23, 220/835, 839; 229/406, 902–904, 906, 407, 229/110, 115; D6/470, 397, 441
See application file for complete search history.

FIG. 1 is a perspective view first embodiment of a carton for storing substrates in accordance with the present invention;
FIG. 2 is a top plan view of the carton of FIG. 1;
FIG. 3 is a bottom planar view of the carton of FIG. 1;
FIG. 4 is a front view of the carton of FIG. 1;
FIG. 5 is a rear view of the carton of FIG. 1;
FIG. 6 is a side view of the carton of FIG. 1;
FIG. 7 is the opposite side view of the carton of FIG. 6;
FIG. 8 is a perspective view of a second embodiment of a carton for storing substrates in accordance with the present invention;
FIG. 9 is a top plan view of the carton of FIG. 8;
FIG. 10 is a bottom plan view of the carton of FIG. 8;
FIG. 11 is a front view of the carton of FIG. 8;
FIG. 12 is a rear view of the carton of FIG. 8;
FIG. 13 is a side view of the carton of FIG. 8;
FIG. 14 is the opposite side view of the carton of FIG. 13;
FIG. 15 is a cross sectional side view of the carton of FIG. 8, taken along line 15—15 of FIG. 9; and,
FIG. 16 is a cross sectional plan view of the carton of FIG. 8, taken along line 16—16 of FIG. 11.

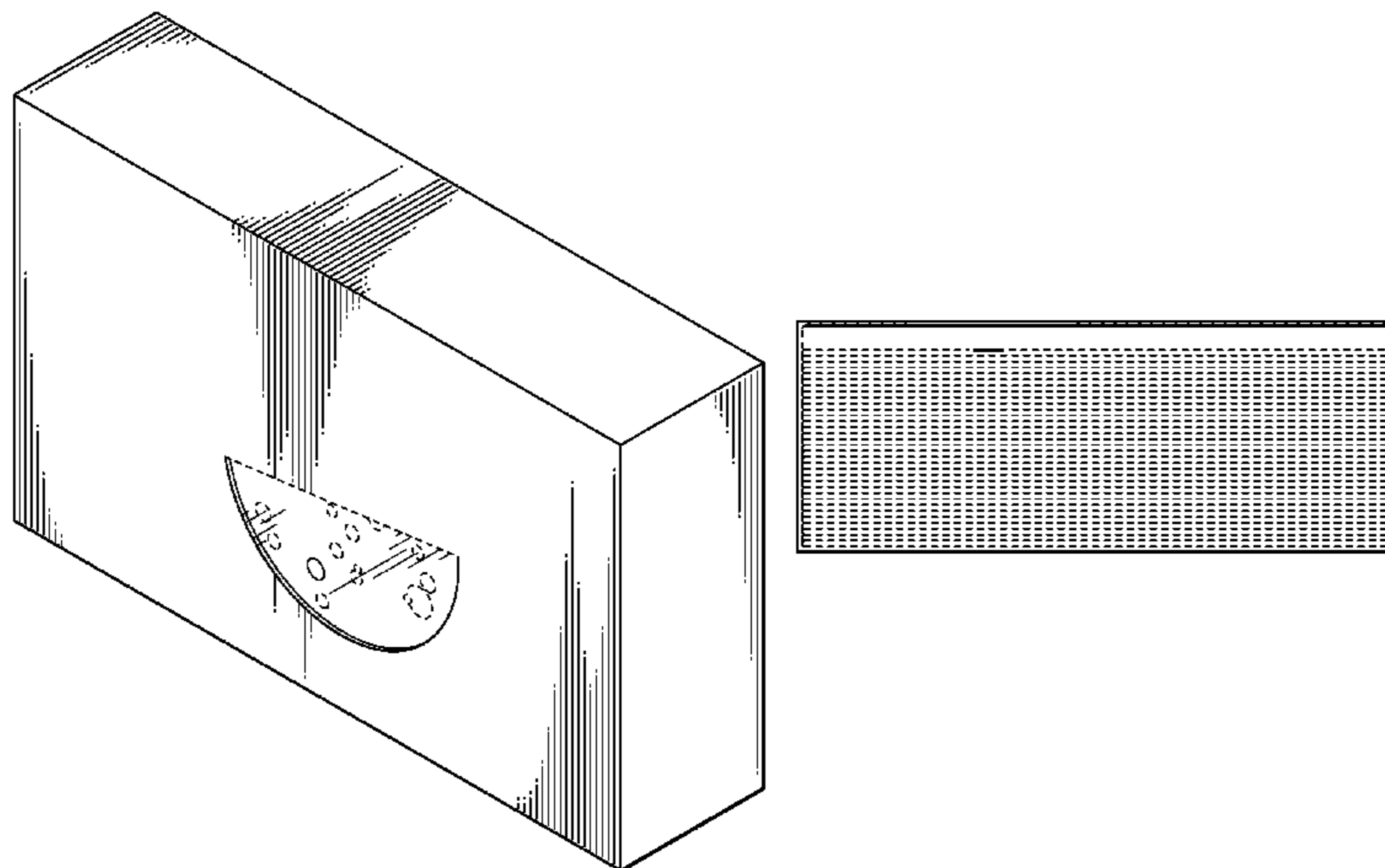
(56) **References Cited**

U.S. PATENT DOCUMENTS

D27,131 S *	6/1897	Merrill	D9/432
D81,676 S *	7/1930	Webber	D9/432
D216,871 S *	3/1970	Wyncote	D9/418
D252,258 S *	7/1979	Roccaforte	D9/418
D259,469 S *	6/1981	Grodin	D9/432
D275,837 S *	10/1984	Poelvoorde	D9/418
D279,262 S *	6/1985	Mansau	D9/423
D291,534 S *	8/1987	Hamilton et al.	D9/761
D297,415 S *	8/1988	Gavin et al.	D9/416
D319,185 S *	8/1991	Ferrero	D9/415
D325,922 S *	5/1992	Arai	D16/208
D369,546 S *	5/1996	Chapman et al.	D9/415
D371,068 S *	6/1996	Chapman et al.	D9/721
D380,964 S *	7/1997	Miller et al.	D9/415

The broken lines shown in the drawings represent environmental subject matter and form on part of the claimed design.

1 Claim, 7 Drawing Sheets



US D601,415 S

Page 2

U.S. PATENT DOCUMENTS

D406,754 S *	3/1999	Tanabe	D9/415	D502,392 S *	3/2005	Maher et al.	D9/418
D427,524 S *	7/2000	Weisz	D9/418	D528,906 S *	9/2006	Harper et al.	D9/418
D434,648 S *	12/2000	Li et al.	D9/415	D534,419 S *	1/2007	Hermkens et al.	D9/418
D446,113 S *	8/2001	Steinfels	D9/418	D536,960 S *	2/2007	Harper et al.	D9/418
D462,264 S *	9/2002	Barr et al.	D9/416	D543,450 S *	5/2007	Watzig et al.	D9/418
6,460,703 B1 *	10/2002	Thompson et al.	206/779	D547,644 S *	7/2007	Harper et al.	D9/418
D469,349 S *	1/2003	Meeker et al.	D9/418	D553,978 S *	10/2007	Shiyya et al.	D9/432
D482,608 S *	11/2003	Krebsbach et al.	D9/624	D554,501 S *	11/2007	Bone et al.	D9/432
D494,060 S *	8/2004	Izen et al.	D9/418	D558,044 S *	12/2007	Olson	D9/418
					D559,099 S *	1/2008	Sheppard et al.	D9/418

* cited by examiner

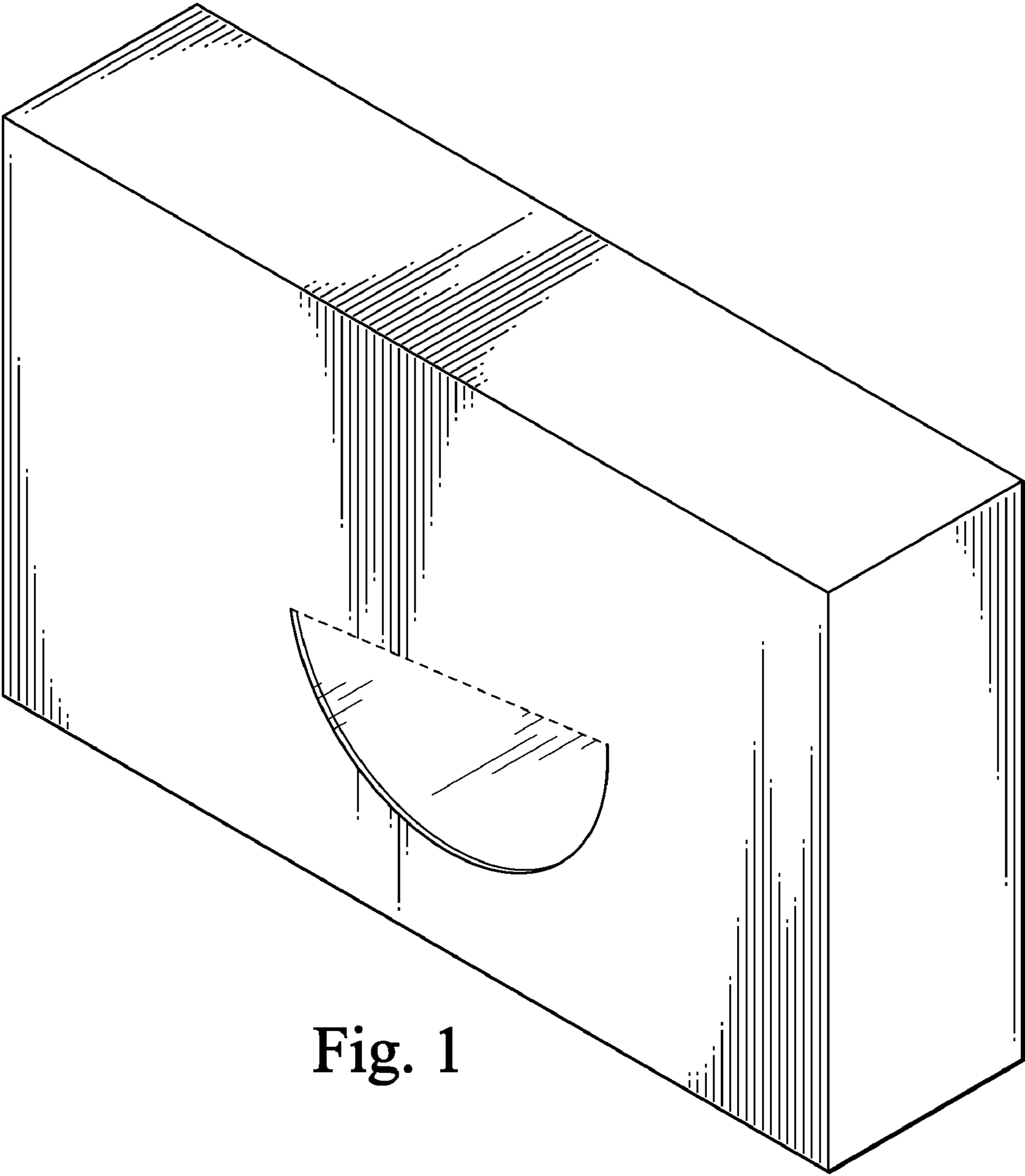


Fig. 1

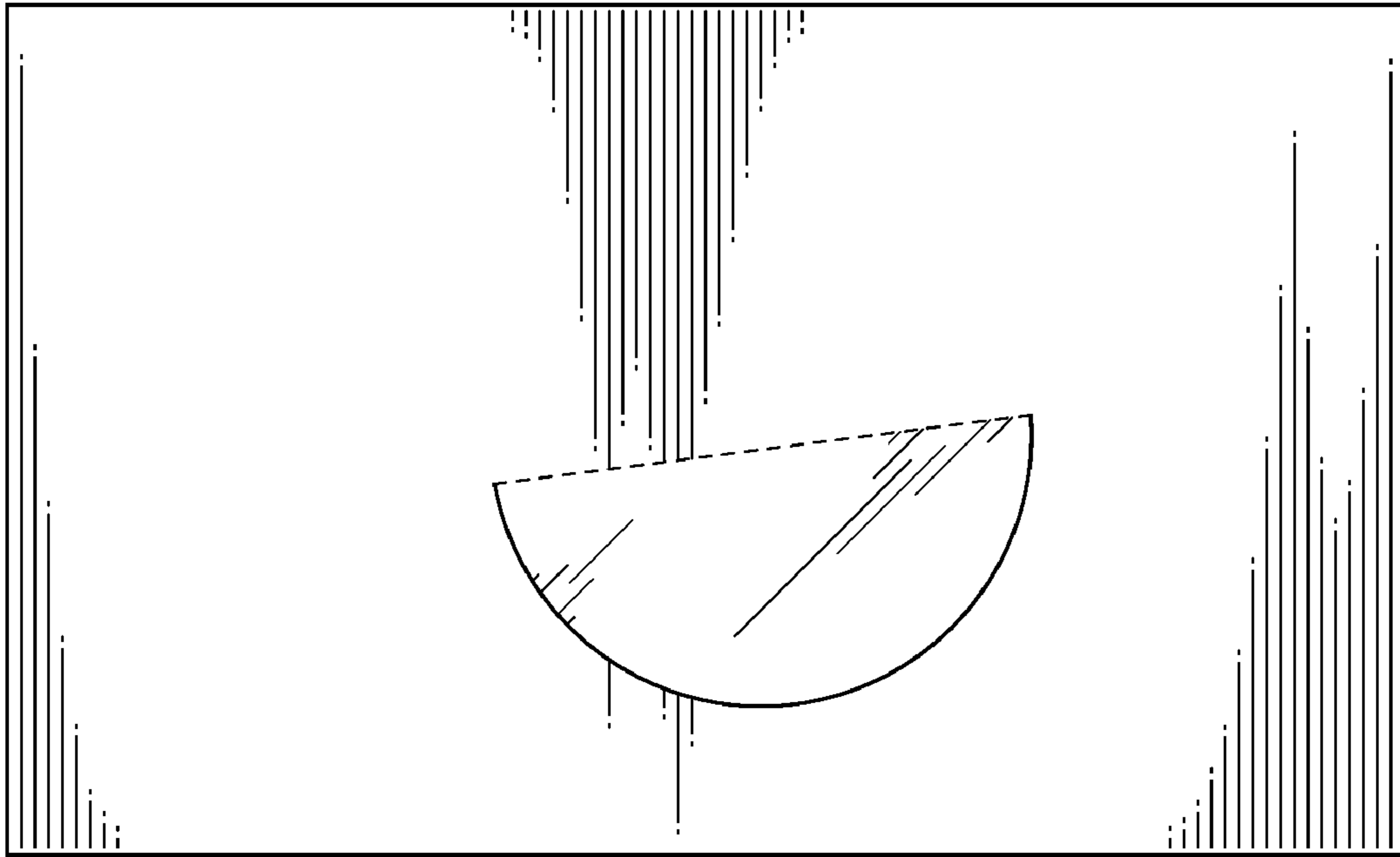


Fig. 2

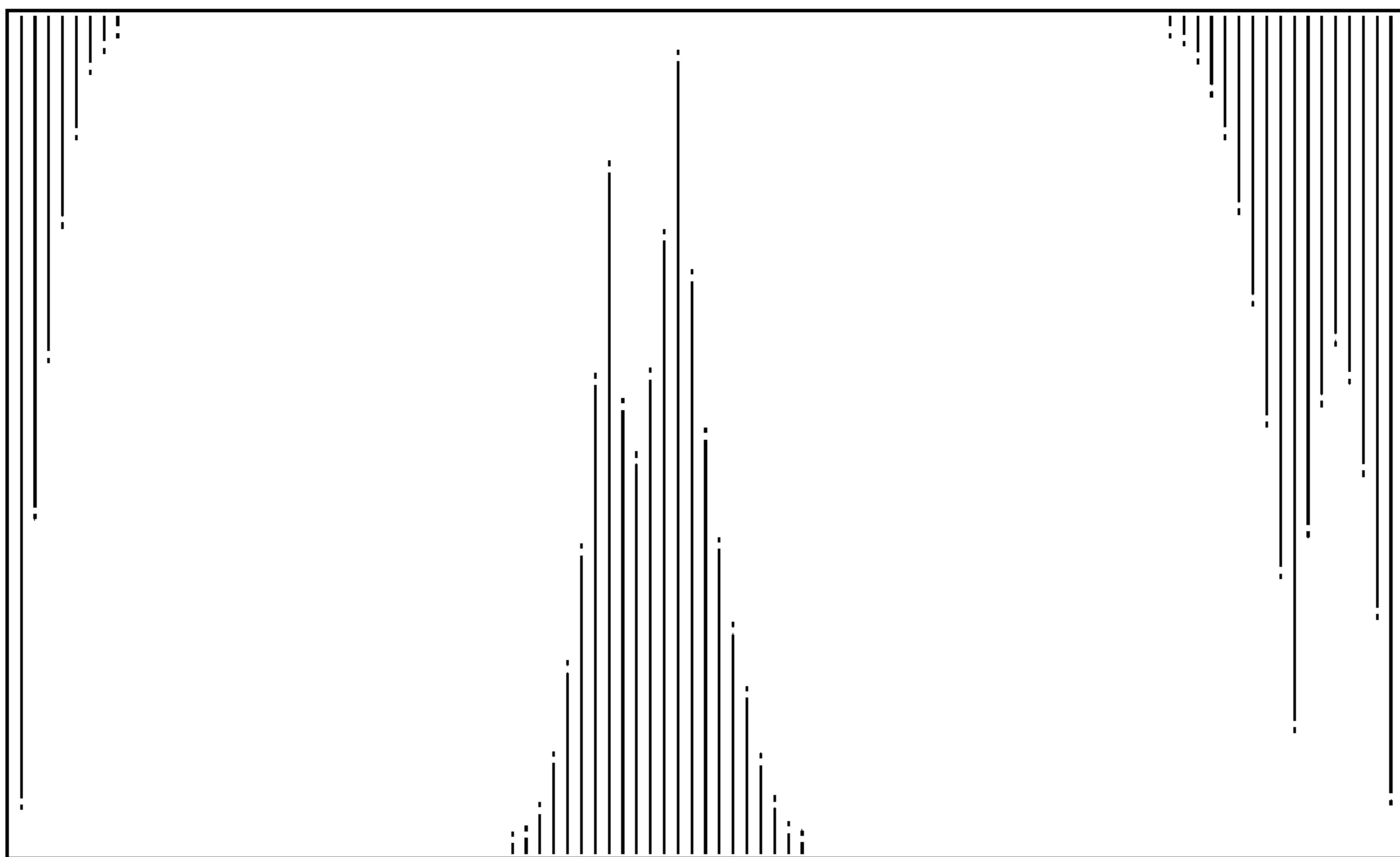


Fig. 3

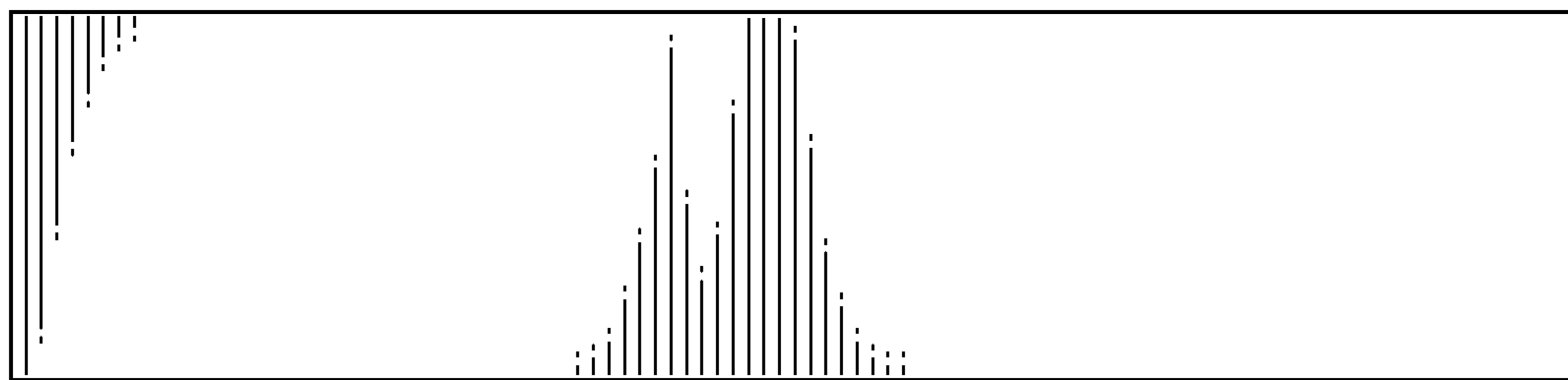


Fig. 4

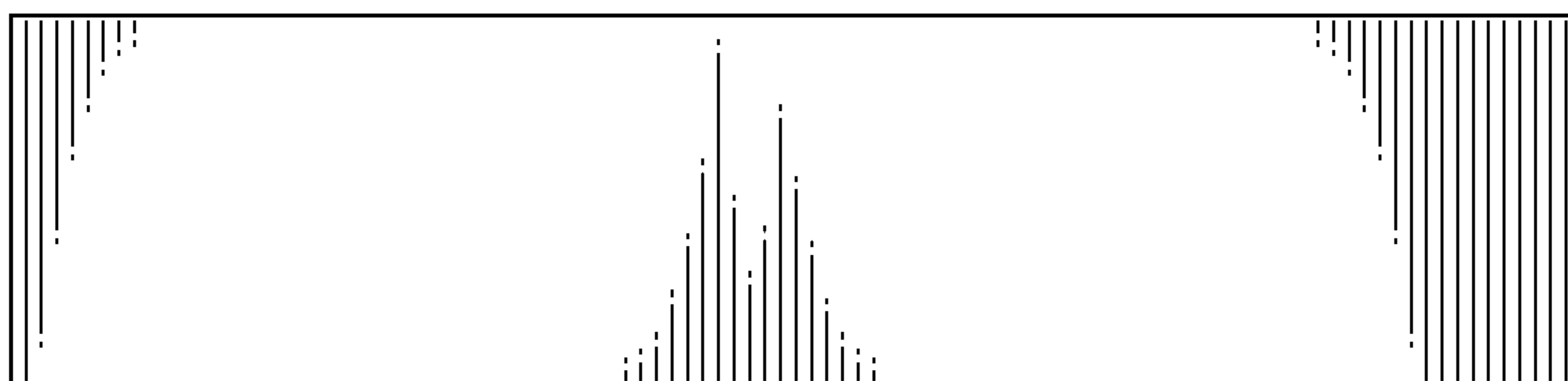


Fig. 5

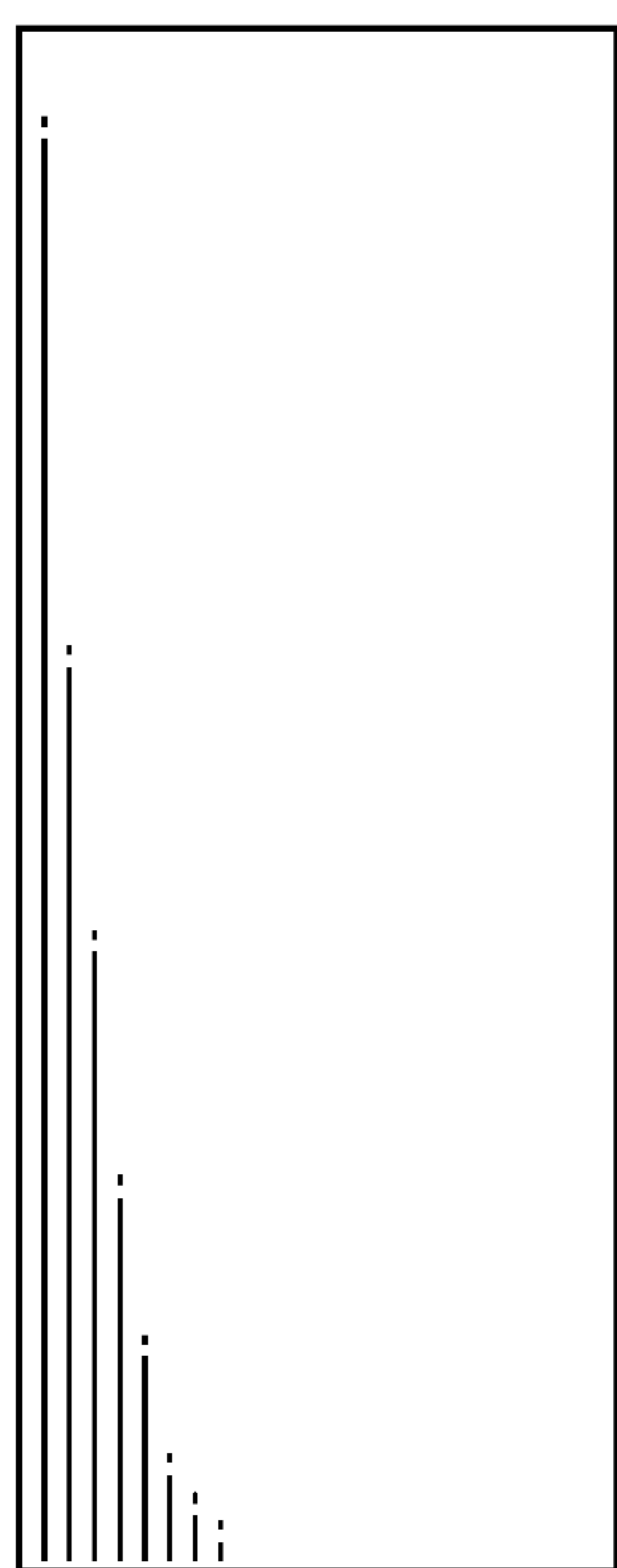


Fig. 6

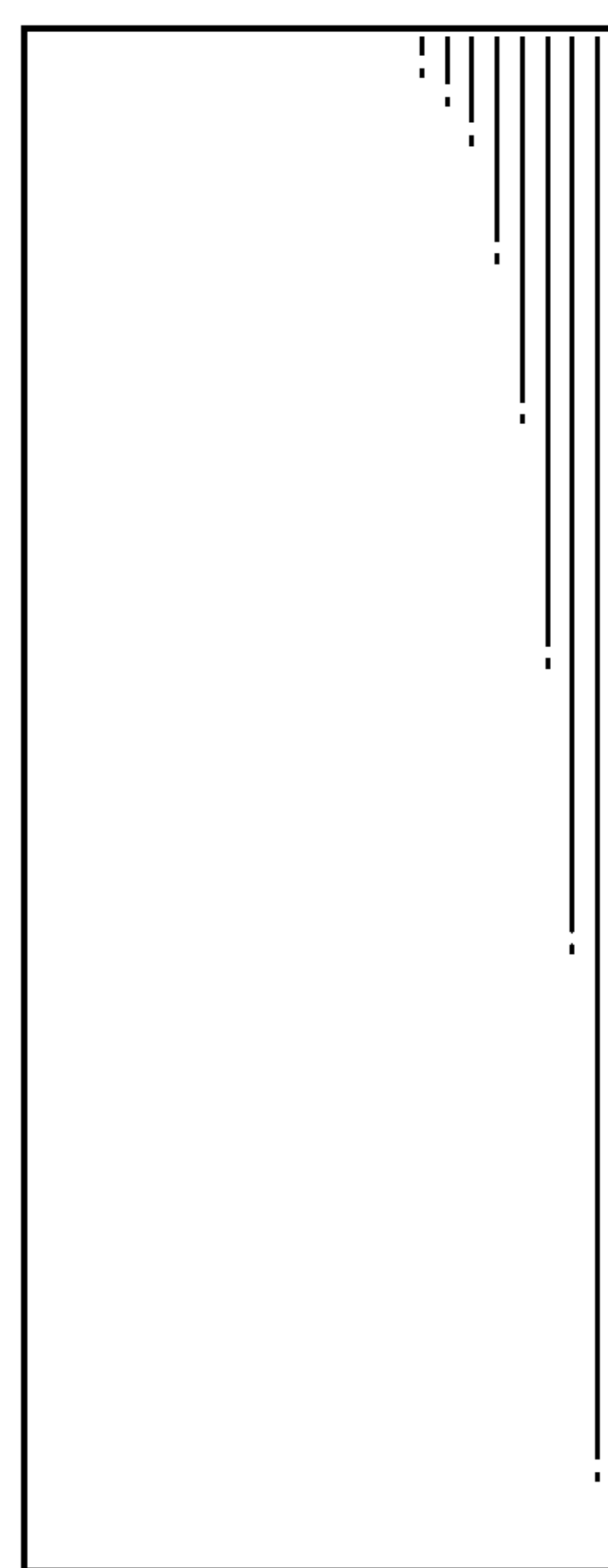


Fig. 7

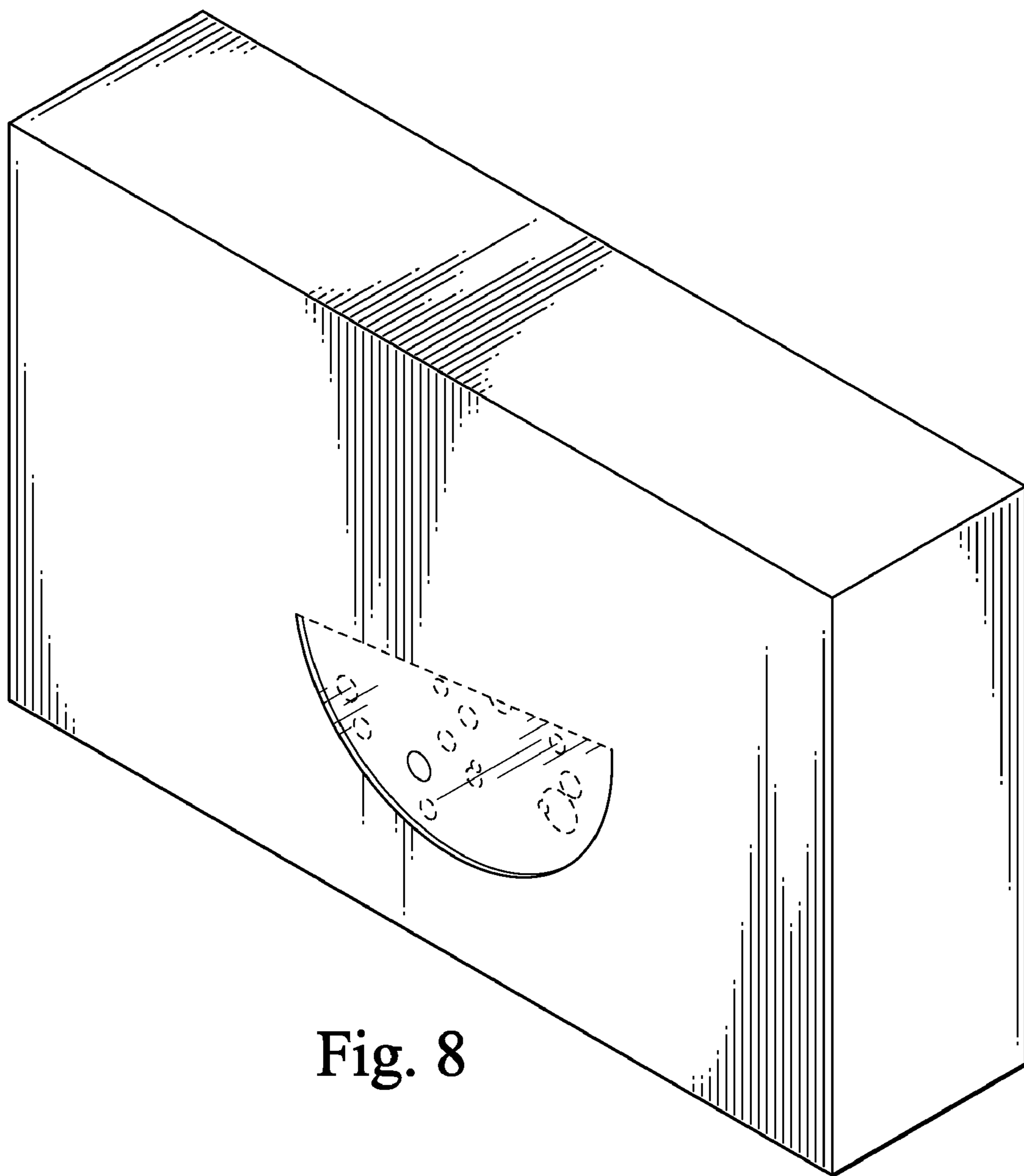
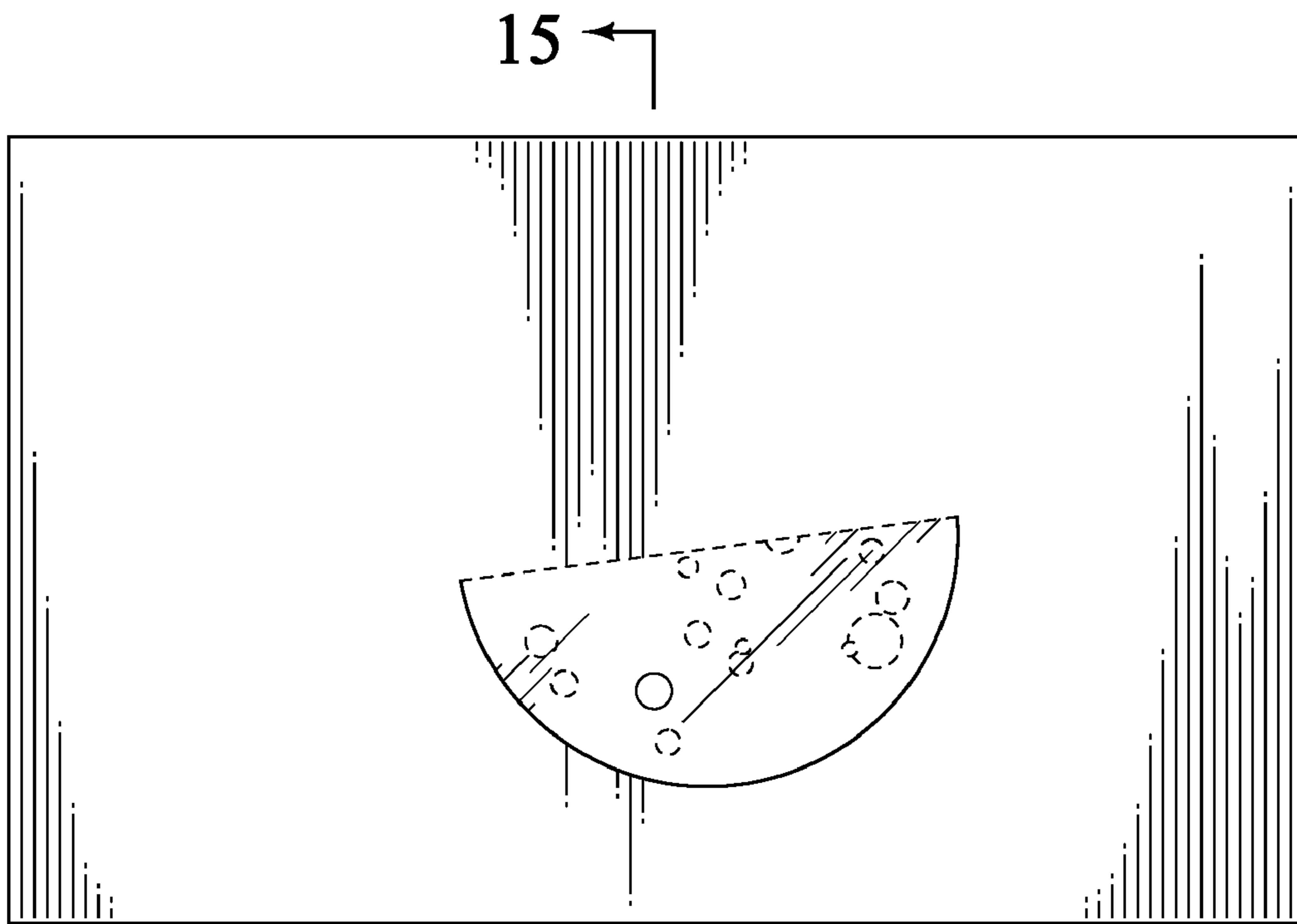


Fig. 8



15 ← Fig. 9

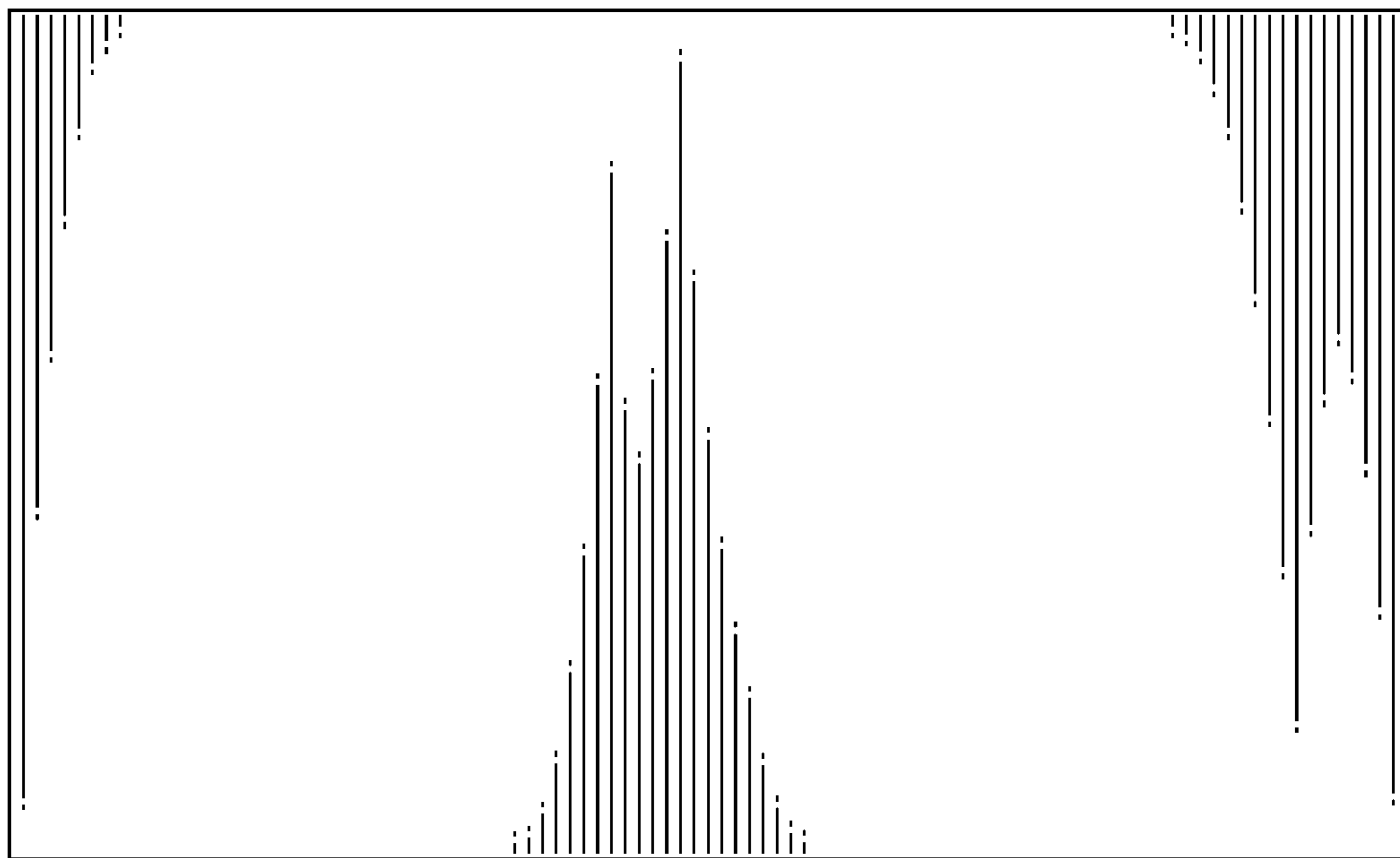


Fig. 10

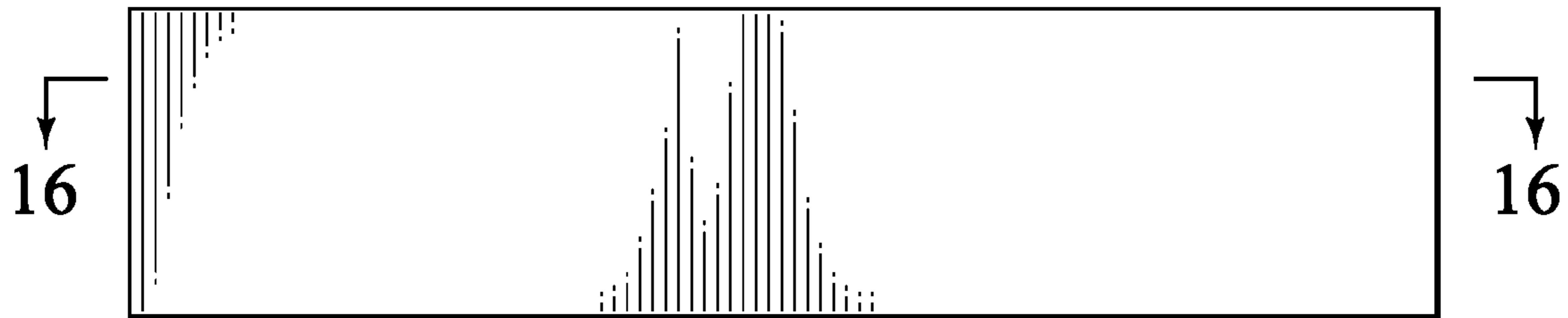


Fig. 11

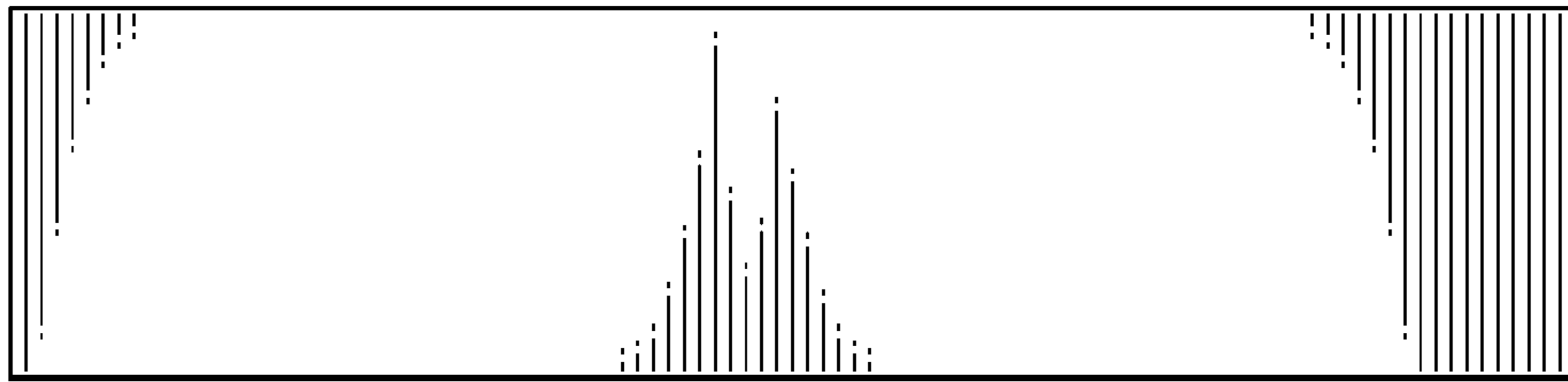


Fig. 12

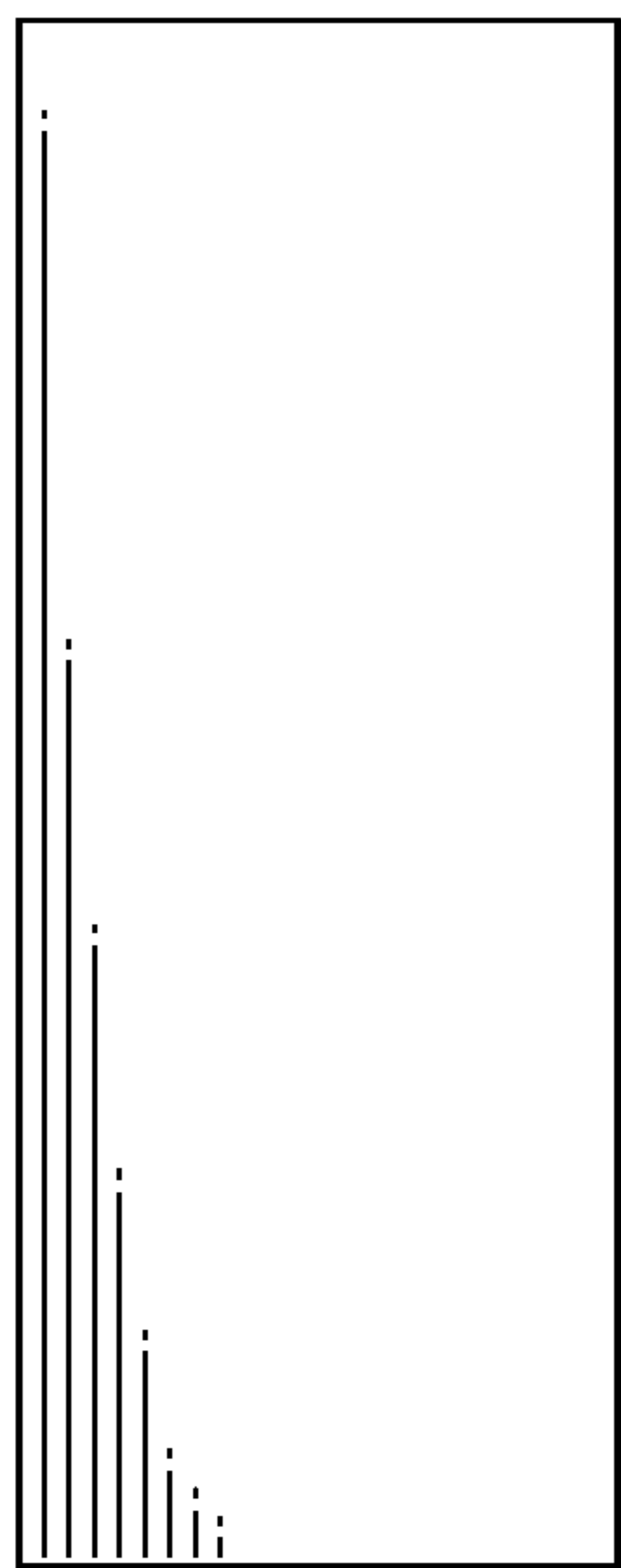


Fig. 13

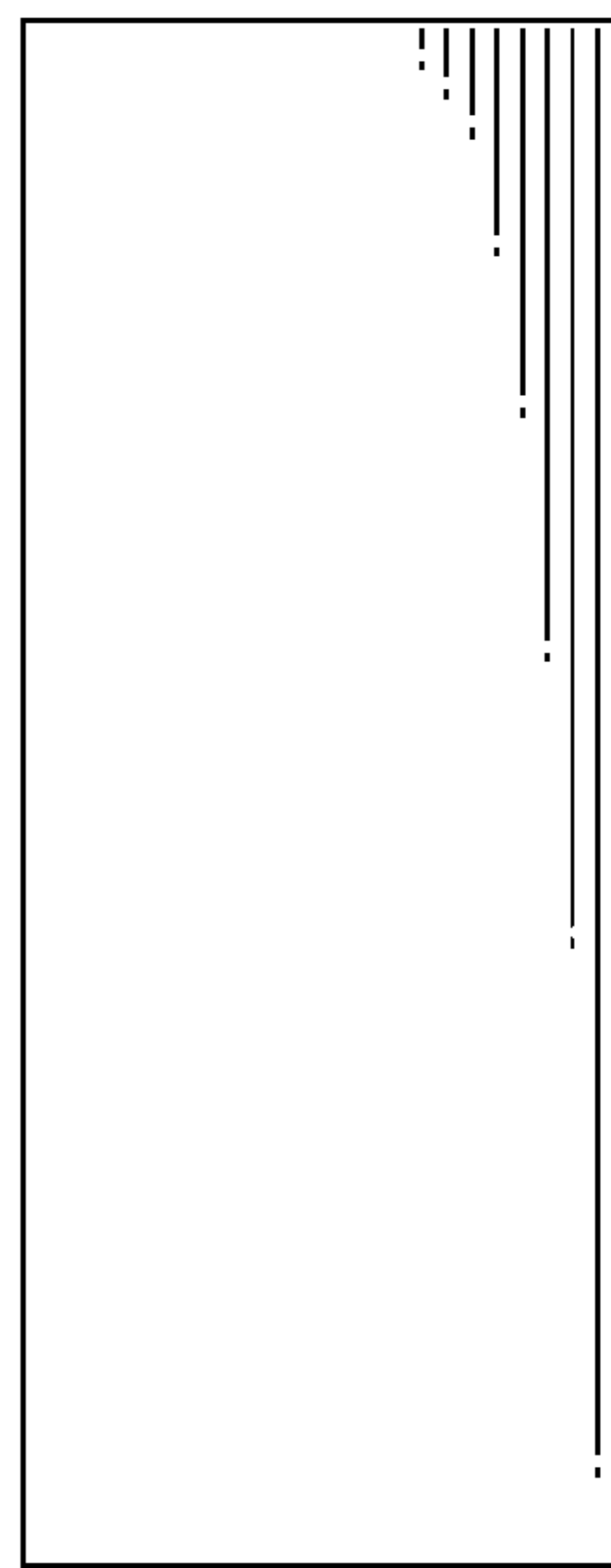


Fig. 14

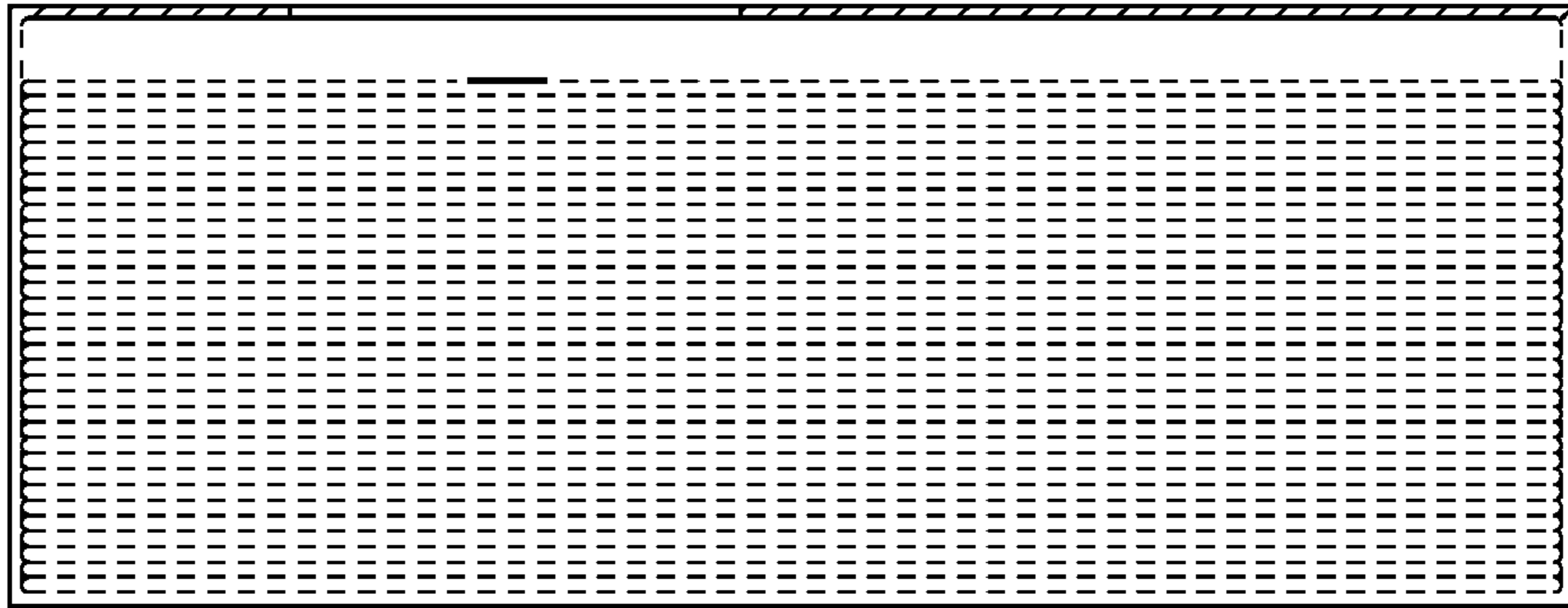


Fig. 15

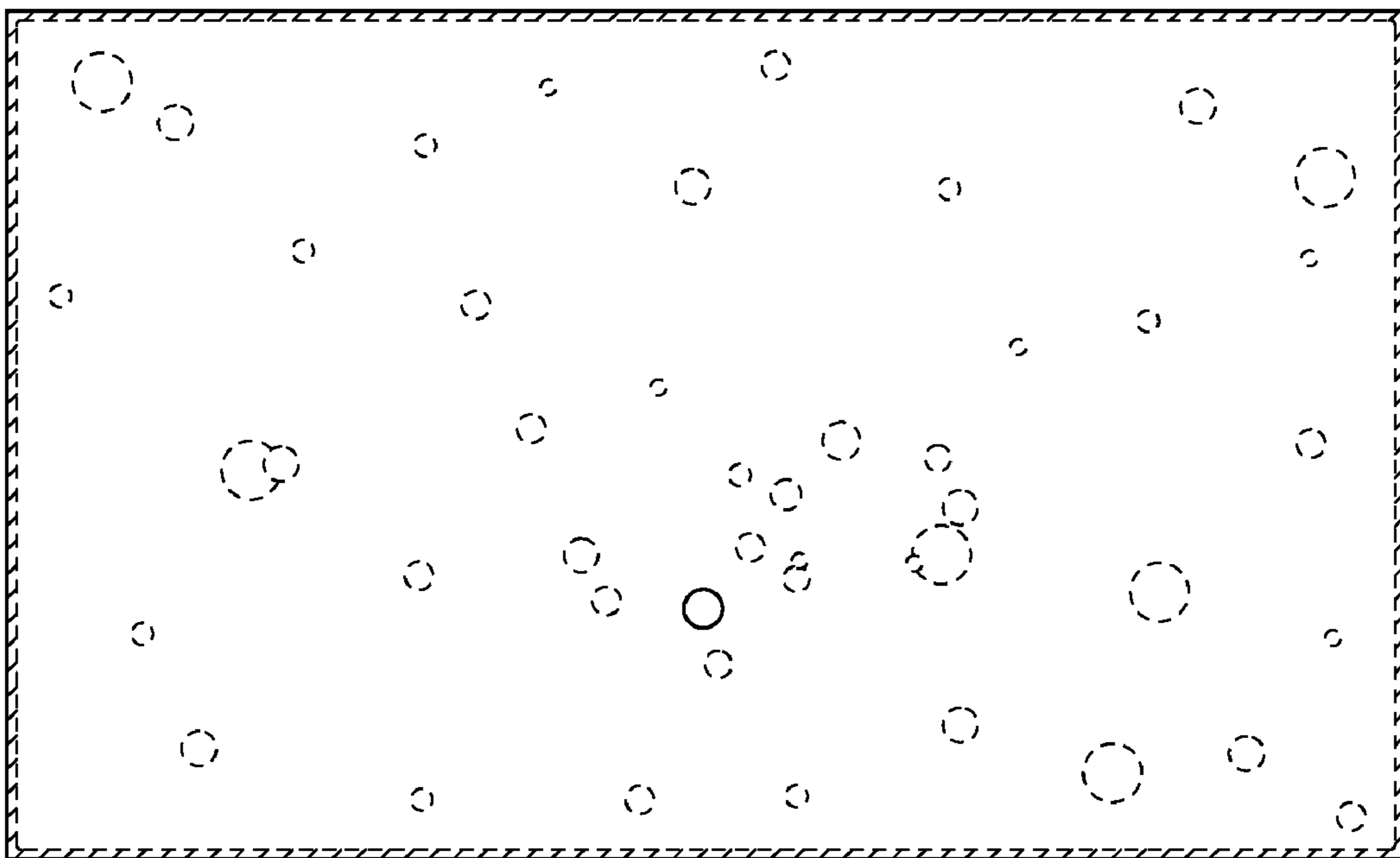


Fig. 16