



US00D601414S

(12) **United States Design Patent**
Riley et al.

(10) **Patent No.:** **US D601,414 S**
(45) **Date of Patent:** **** Oct. 6, 2009**

(54) **SNOW RETENTION DEVICE**

5,282,340 A 2/1994 Cline et al.
D360,476 S * 7/1995 Smeja et al. D25/199

(75) Inventors: **Matthew Riley**, Idaho Falls, ID (US);
Yancy Whipple, Ammon, ID (US)

(Continued)

(73) Assignee: **Sno Sheild, Inc.**, Ammon, ID (US)

FOREIGN PATENT DOCUMENTS

(**) Term: **14 Years**

DE 2126082 12/1972

(21) Appl. No.: **29/304,340**

(Continued)

(22) Filed: **Feb. 28, 2008**

OTHER PUBLICATIONS

(51) **LOC (9) Cl.** **08-99**

U.S. Appl. No. 61/012,043, filed Dec. 6, 2007. Matthew Riley et al.

(52) **U.S. Cl.** **D8/499**

(Continued)

(58) **Field of Classification Search** D8/499;
52/545, 533, 24-26

See application file for complete search history.

Primary Examiner—Cathron C Brooks

Assistant Examiner—Barbara Fox

(74) *Attorney, Agent, or Firm*—Bateman IP Law Group

(56) **References Cited**

(57) **CLAIM**

U.S. PATENT DOCUMENTS

The ornamental design for a snow retention device, as shown and described.

193,809 A	8/1877	Dugan	
507,776 A	10/1893	Berger et al.	
579,735 A	3/1897	Bower	
625,144 A *	5/1899	Clark	52/24
756,884 A	4/1904	Parry	
853,897 A	5/1907	Porter	
884,850 A	4/1908	Peter	
933,784 A	9/1909	Peter	
939,516 A	11/1909	Laird	
1,016,463 A	2/1912	Wilkins	
1,085,474 A *	1/1914	Peterson	52/15
1,330,309 A	2/1920	Dixon	
1,530,233 A *	3/1925	Campbell	52/24
D87,753 S *	9/1932	Lovell	D8/402
2,272,852 A	2/1942	Schaefer	
3,296,750 A *	1/1967	Zaleski	52/24
3,456,446 A *	7/1969	Kusatake	405/29
3,579,930 A *	5/1971	Murphy	52/24
D221,941 S	9/1971	Murphy	
D254,051 S *	1/1980	Zaleski	D8/499
4,270,721 A	6/1981	Mainor, Jr.	
4,903,929 A	2/1990	Hoffman	
5,205,088 A	4/1993	Mueller	
5,228,248 A	7/1993	Haddock	
5,271,194 A	12/1993	Drew	

DESCRIPTION

FIG. 1 shows a perspective view of a snow retention device in accordance with the design of the present invention;

FIG. 2 shows a top view of the snow retention device of FIG. 1;

FIG. 3 shows a bottom view of the snow retention device of FIG. 1;

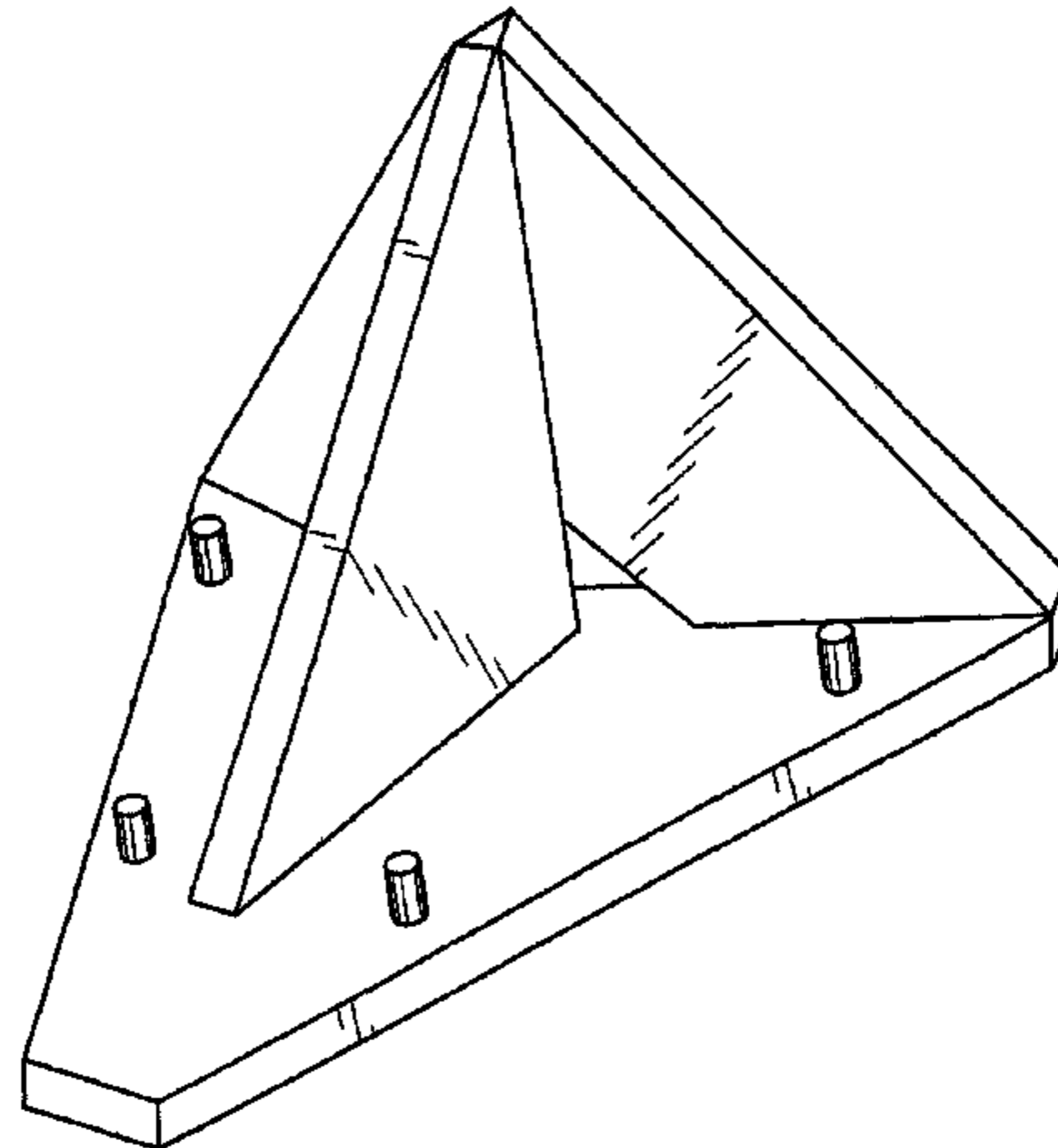
FIG. 4 shows an end view of the snow retention device of FIG. 1;

FIG. 5 shows an opposing end view of the snow retention device of FIG. 4;

FIG. 6 shows a side view of the snow retention device of FIG. 1; and,

FIG. 7 show an opposing side view of the snow retention device of FIG. 6.

1 Claim, 7 Drawing Sheets



US D601,414 S

Page 2

U.S. PATENT DOCUMENTS

D364,556 S * 11/1995 Lee et al. D8/499
5,483,772 A 1/1996 Haddock
5,491,931 A 2/1996 Haddock
5,522,185 A 6/1996 Cline
5,557,903 A 9/1996 Haddock
5,570,557 A 11/1996 Kwiatkowski et al.
5,613,328 A 3/1997 Alley
5,664,374 A * 9/1997 Lee 52/24
5,694,721 A 12/1997 Haddock
5,715,640 A 2/1998 Haddock
5,786,563 A 7/1998 Tiburzi
5,901,507 A 5/1999 Smeja et al.
5,983,588 A 11/1999 Haddock
D419,863 S * 2/2000 Mullane D8/499
6,141,917 A 11/2000 Mueller
6,164,033 A 12/2000 Haddock
6,470,629 B1 10/2002 Haddock
6,499,259 B1 12/2002 Hockman
6,536,729 B1 3/2003 Haddock
D475,613 S * 6/2003 Mullane D8/499
D482,604 S * 11/2003 Smeja et al. D8/499
6,718,718 B2 4/2004 Haddock
D499,011 S * 11/2004 Rizzo D8/499
D499,332 S * 12/2004 Rizzo D8/499
D505,065 S * 5/2005 Smeja et al. D8/499

6,922,948 B2 8/2005 Smeja et al.
D511,451 S * 11/2005 Mullane D8/499
7,013,612 B2 3/2006 Haddock
7,100,338 B2 9/2006 Haddock
D537,336 S * 2/2007 Fisher D8/499
7,174,677 B1 2/2007 Dressler
2002/0088196 A1 7/2002 Haddock
2002/0108335 A1 8/2002 Haddock
2004/0134151 A1 7/2004 Haddock
2004/0200186 A1 10/2004 Haddock
2005/0217184 A1 10/2005 Smeja et al.
2005/0217203 A1 10/2005 Haddock
2006/0010786 A1 1/2006 Rogers
2007/0245636 A1 10/2007 Ayer et al.

FOREIGN PATENT DOCUMENTS

DE 2523087 11/1976
DE 2845103 4/1980
DE 2845104 4/1980
DE 3716491 12/1988
DE 3723020 1/1989

OTHER PUBLICATIONS

U.S. Appl. No. 12/329,207, filed Dec. 5, 2008. Matthew Riley et al.

* cited by examiner

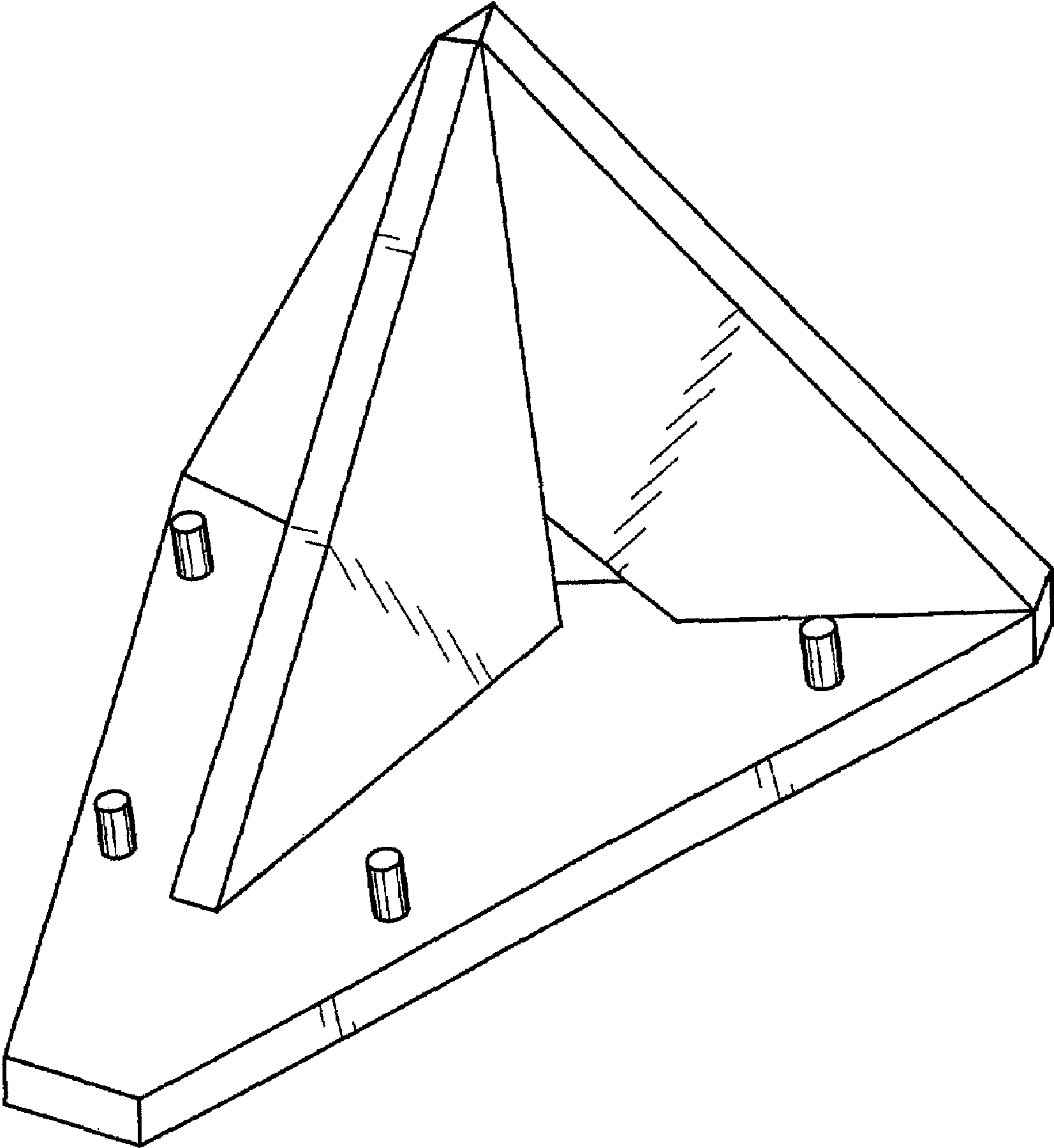


Fig. 1

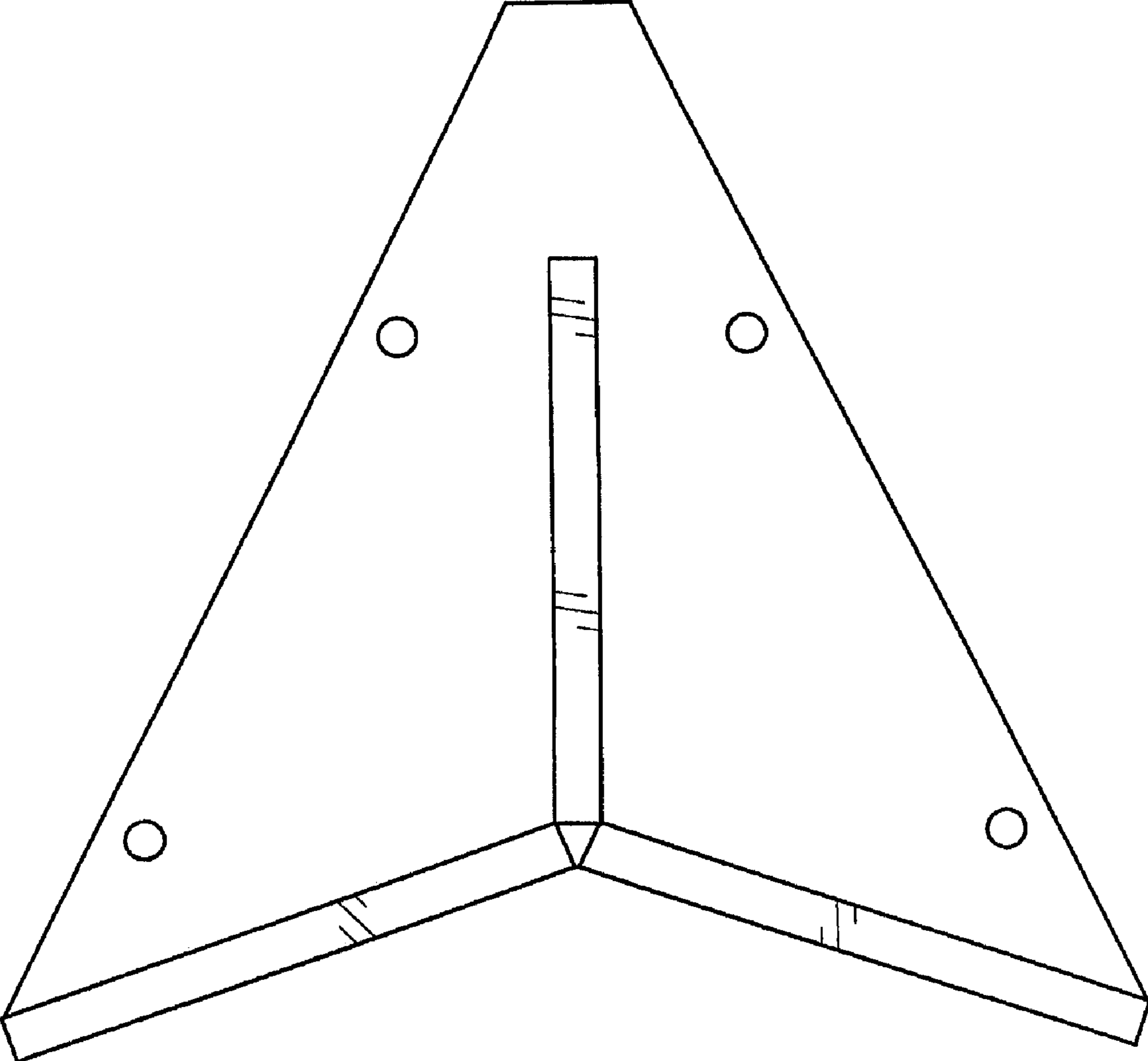


Fig. 2

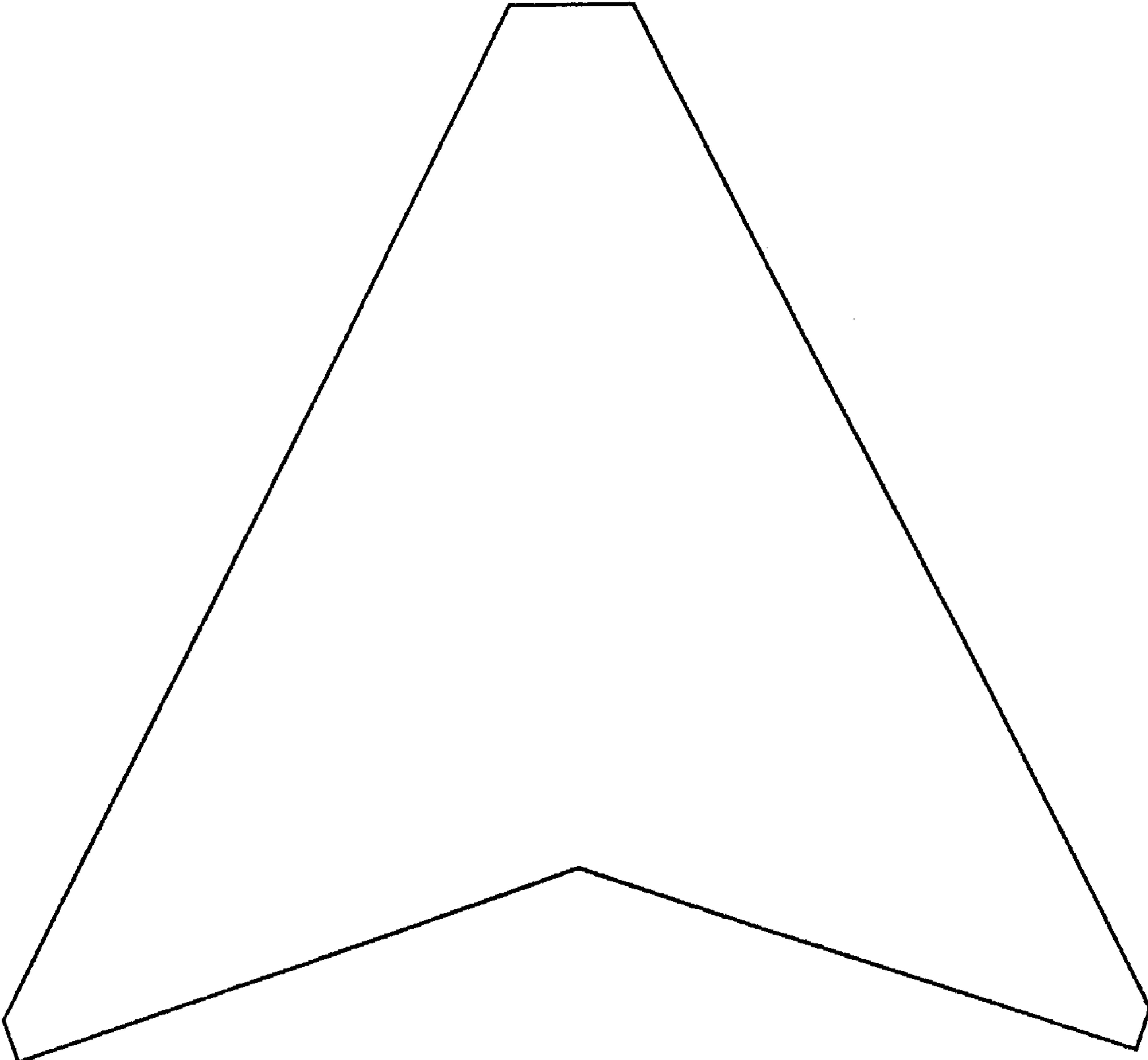


Fig. 3

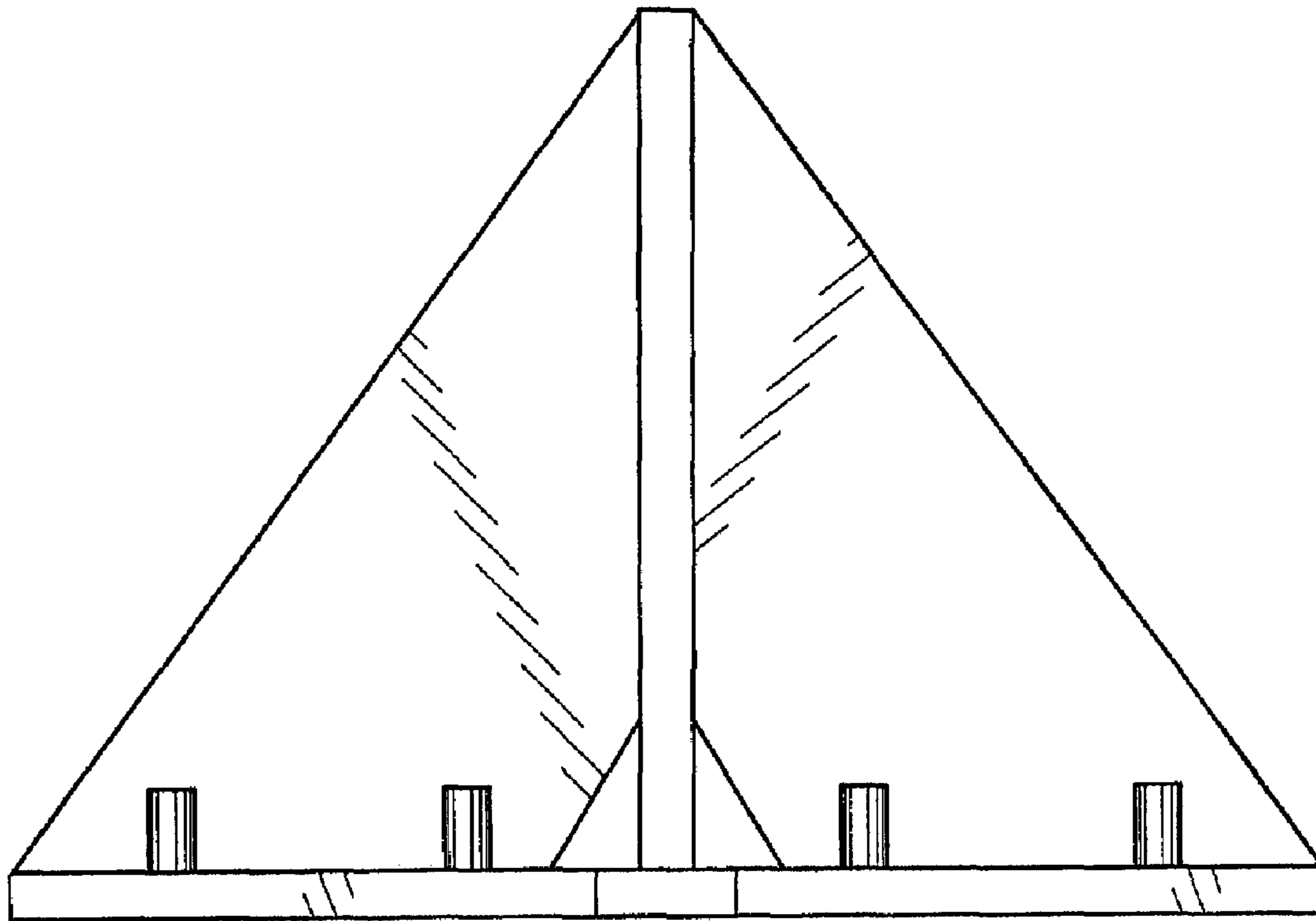


Fig. 4

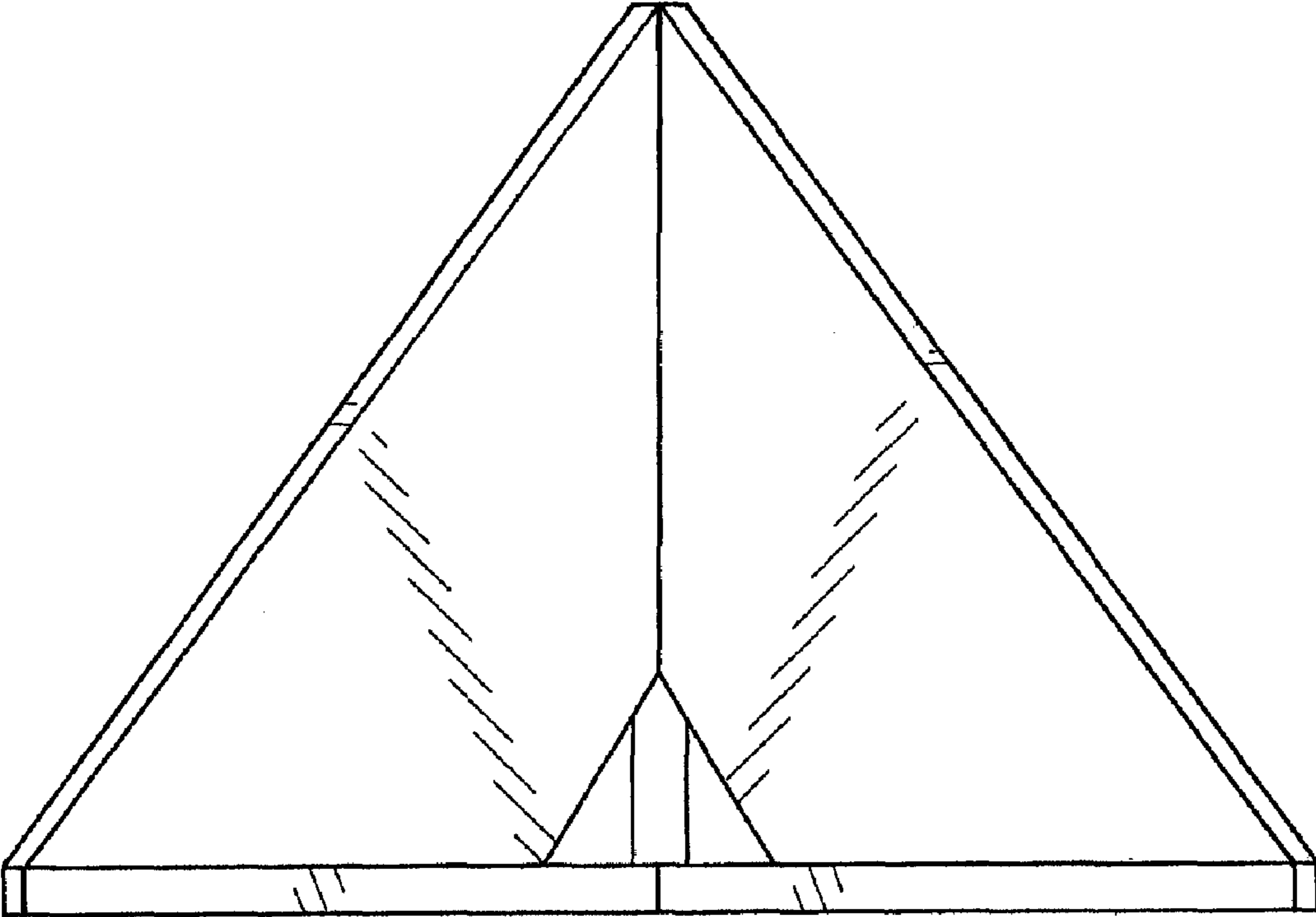


Fig. 5

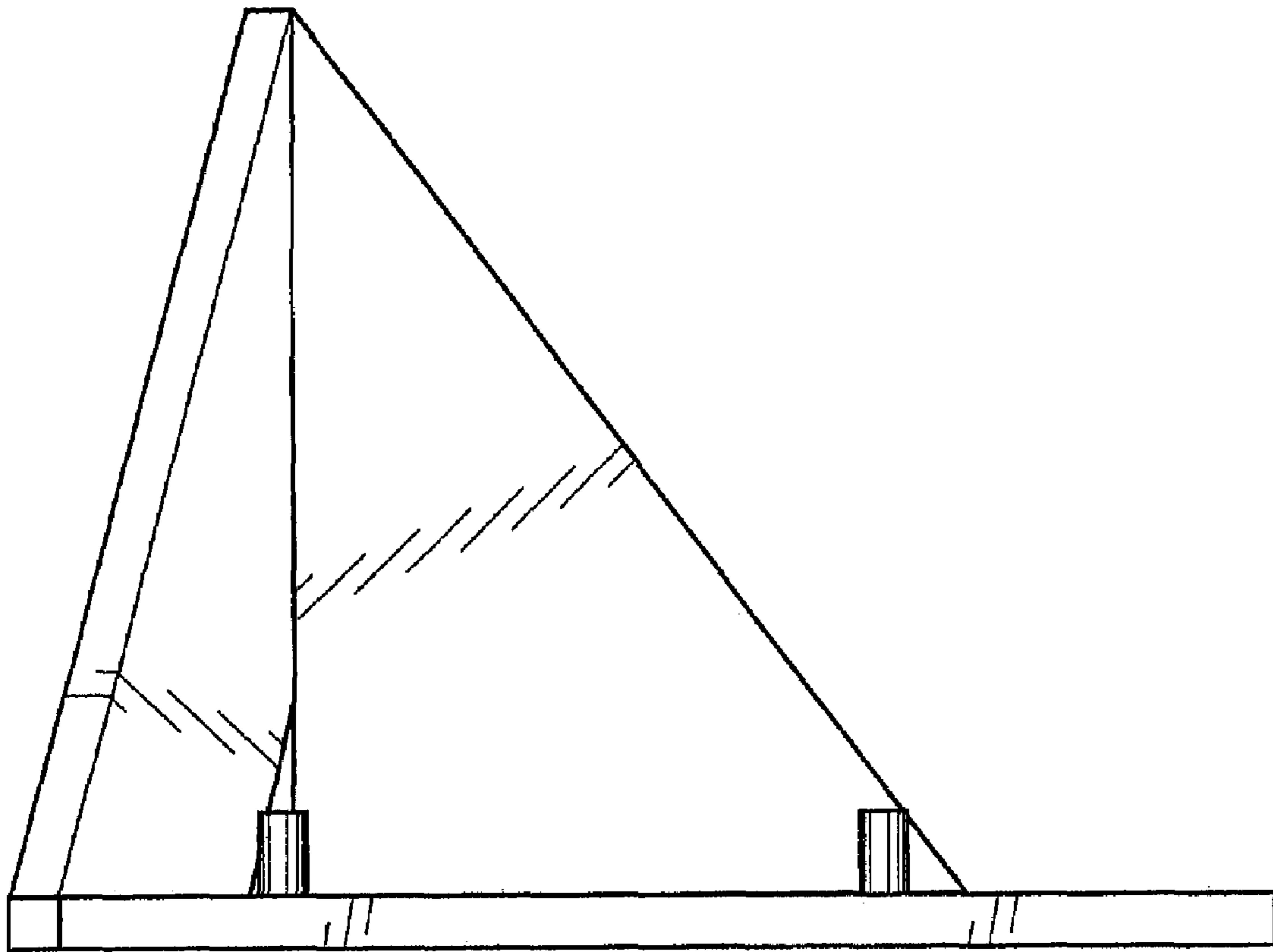


Fig. 6

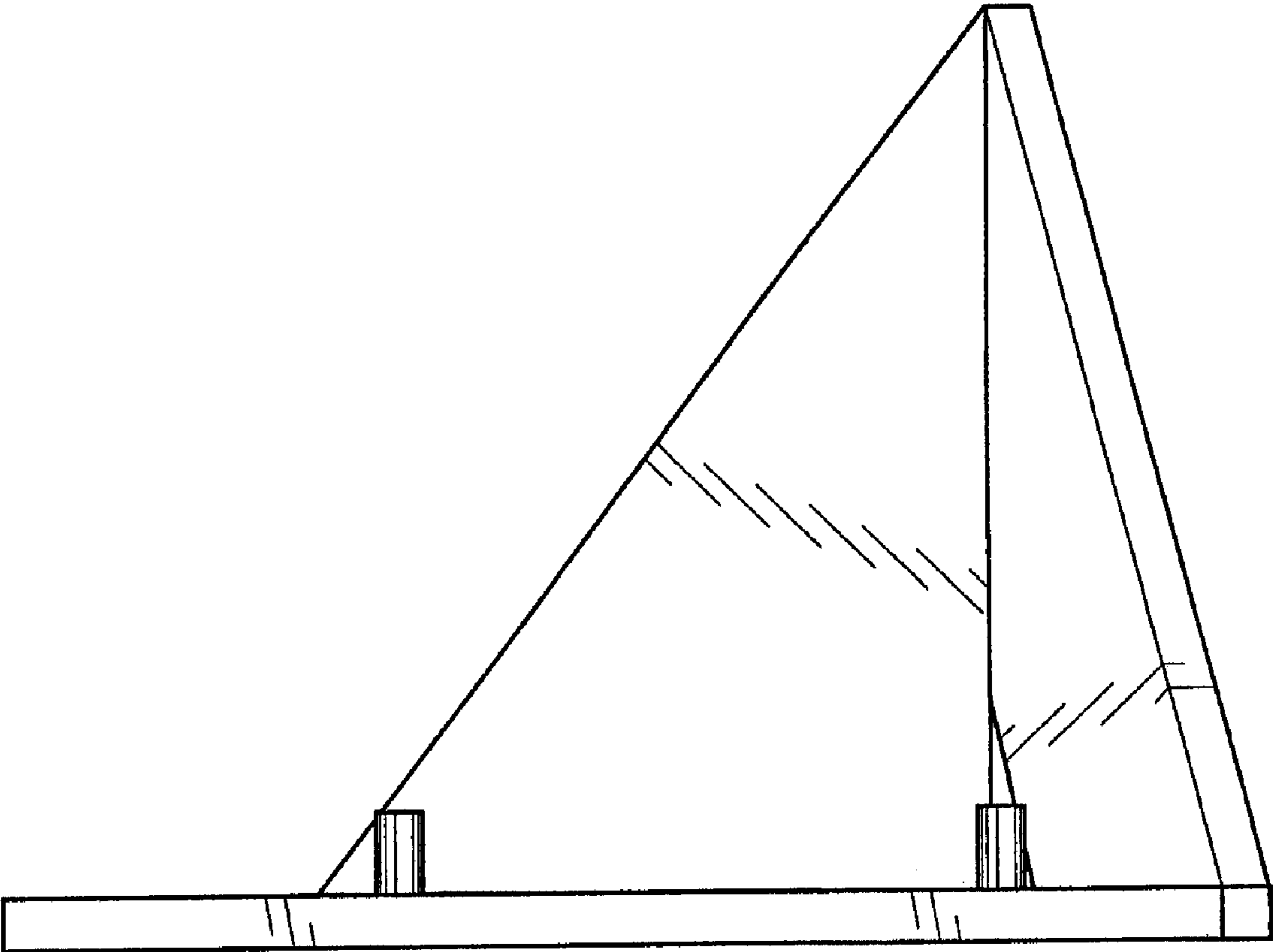


Fig. 7