



US00D601413S

(12) **United States Design Patent**
Wise et al.

(10) **Patent No.:** **US D601,413 S**
(45) **Date of Patent:** **** Oct. 6, 2009**

(54) **DOOR STOP**

(76) Inventors: **Leah Wise**, 69707 Holmes Rd., Sisters, OR (US) 97759; **Rona Shepherd**, 1454 NW. Fresno Ave., Bend, OR (US) 97701; **Mark A. Krull**, P.O. Box 7198, Bend, OR (US) 97708; **Darrin M. Swagel**, 3333 Zarthan Ave. South, St. Louis Park, MN (US) 55416

(**) Term: **14 Years**

(21) Appl. No.: **29/313,788**

(22) Filed: **Feb. 10, 2009**

(51) **LOC (9) Cl.** **08-05**

(52) **U.S. Cl.** **D8/402**

(58) **Field of Classification Search** D8/400-499;
16/86 B, 85, 137, 342, 375, 82 R, 82, 86 A;
292/251.5, 340, 17, DIG. 15

See application file for complete search history.

(56) **References Cited**

U.S. PATENT DOCUMENTS

D317,713 S * 6/1991 Kaplan D8/402
5,052,202 A * 10/1991 Murphy 70/211

D397,025 S * 8/1998 Kosi D8/343
D406,231 S * 3/1999 Brorsson et al. D8/499
D416,194 S * 11/1999 Brorsson et al. D8/499

* cited by examiner

Primary Examiner—Cathron C Brooks

Assistant Examiner—Barbara Fox

(57) **CLAIM**

The ornamental design for a door stop, as shown and described.

DESCRIPTION

FIG. 1 is a perspective view of my novel design;

FIG. 2 is a right side view of my novel design;

FIG. 3 is a left side view of my novel design;

FIG. 4 is a front view of my novel design;

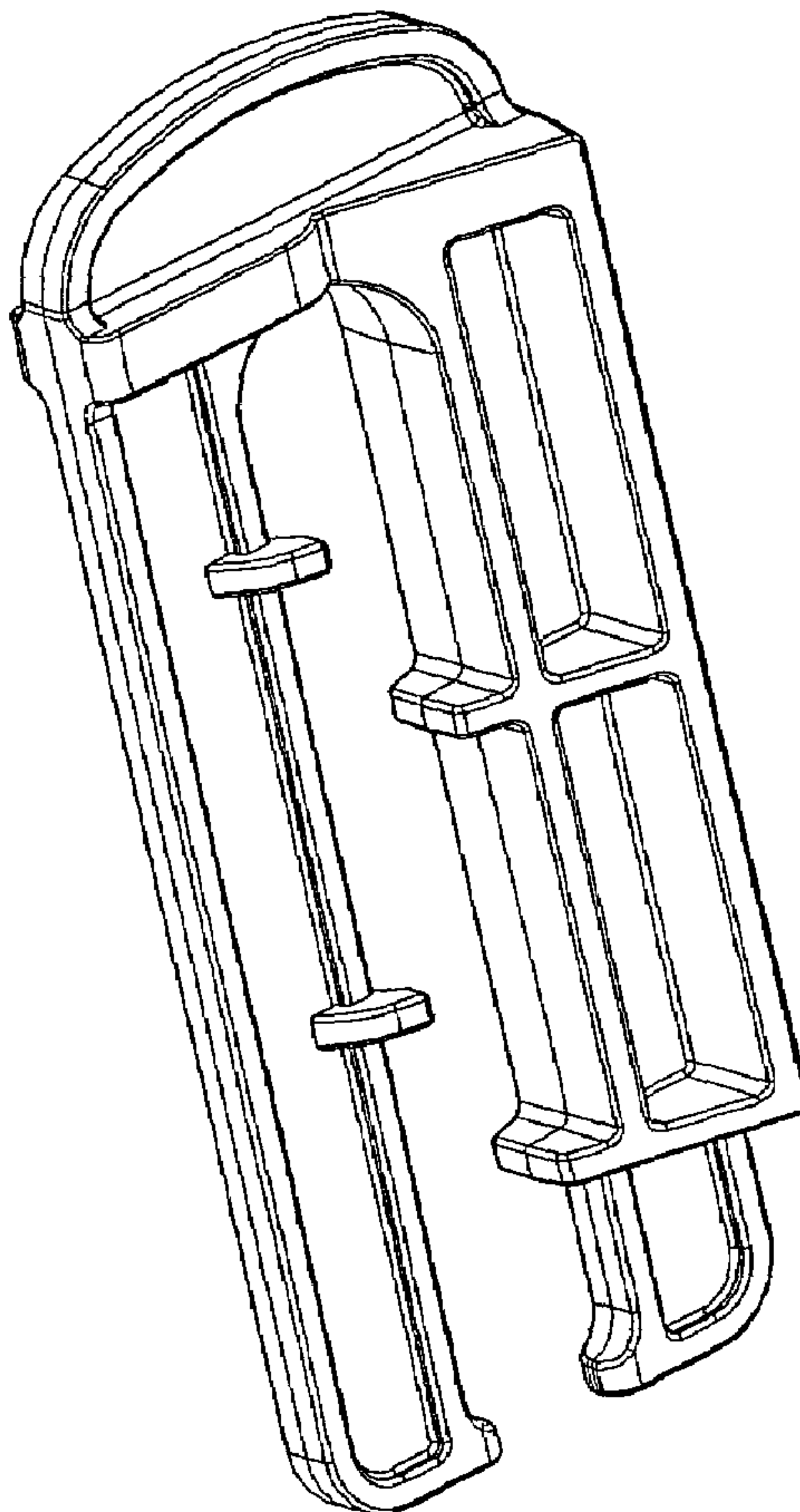
FIG. 5 is a rear view of my novel design;

FIG. 6 is a top view of my novel design; and,

FIG. 7 is a bottom view of my novel design.

The figures in FIGS. 6 and 7 are shown at a larger scale than what is shown in FIGS. 1-5.

1 Claim, 7 Drawing Sheets



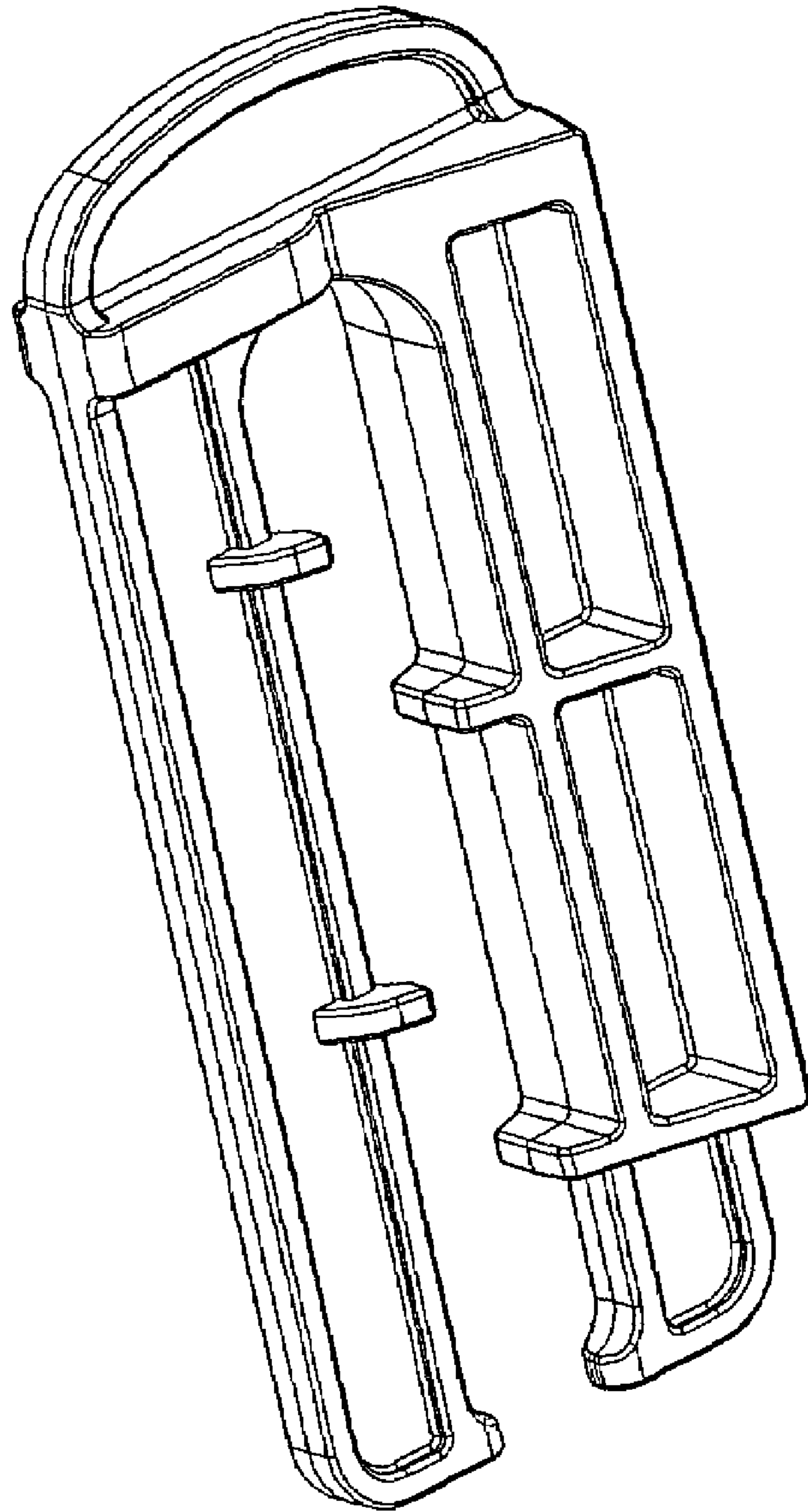


Fig. 1

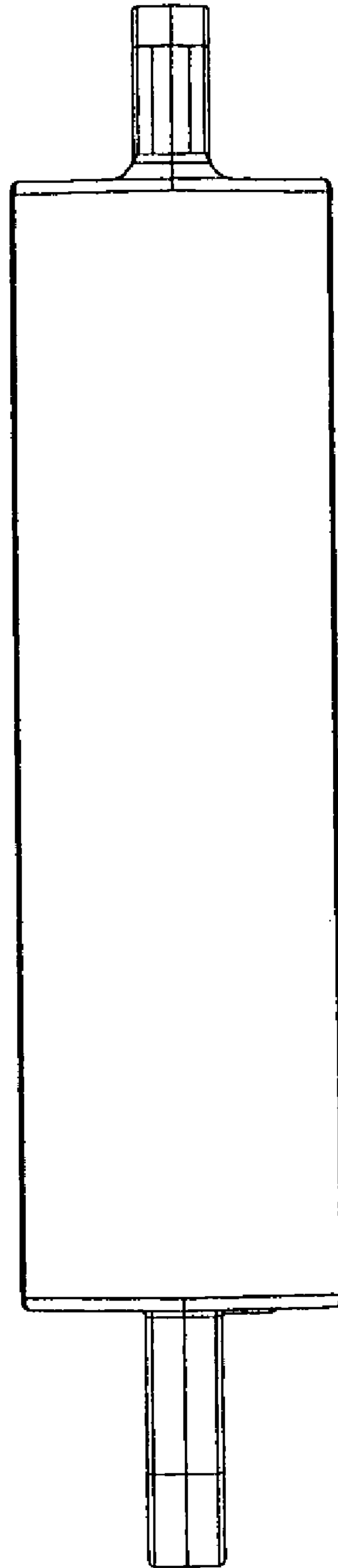


Fig. 2

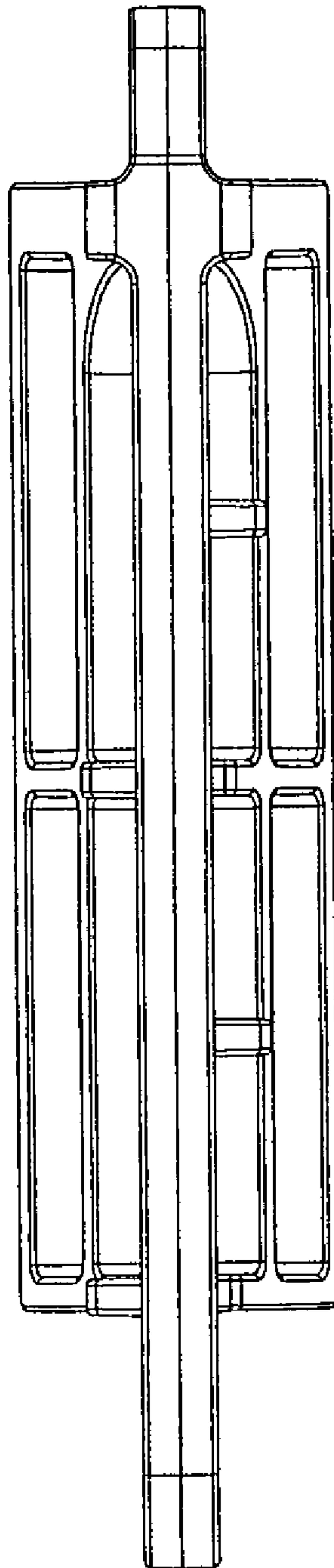


Fig. 3

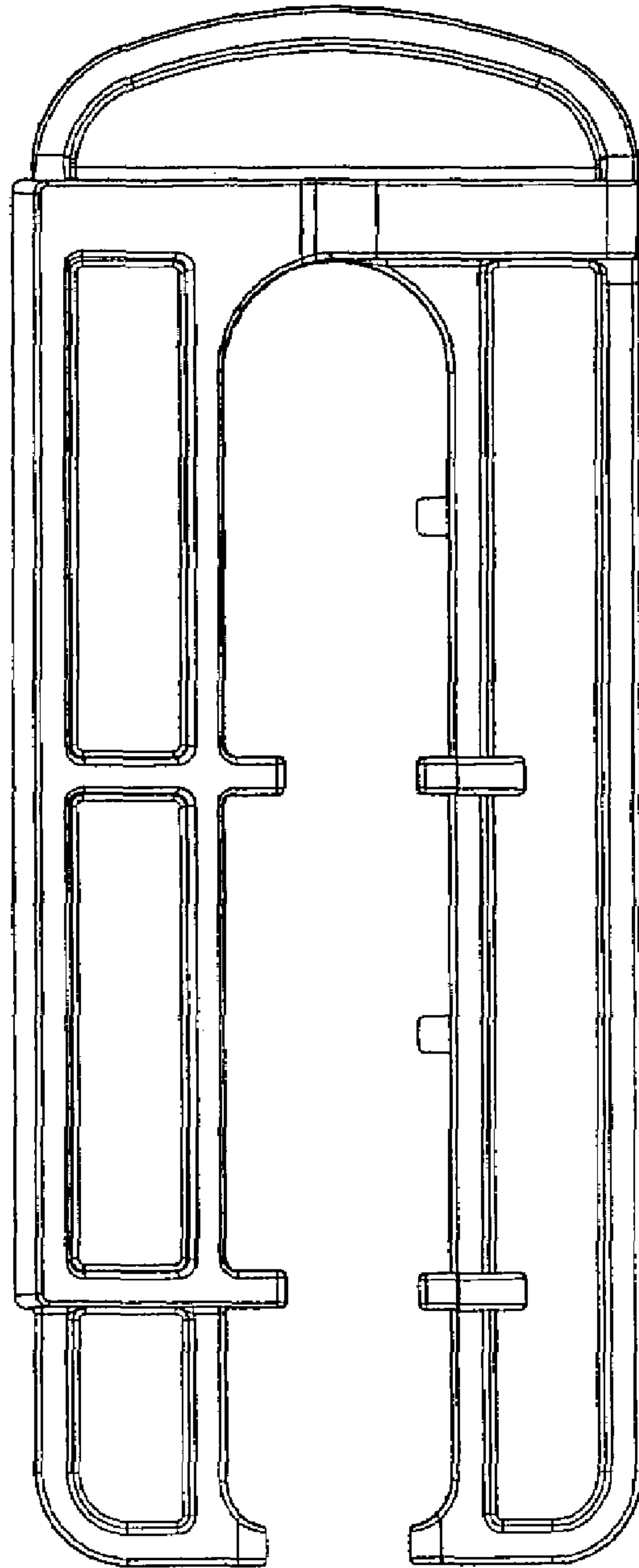


Fig. 4

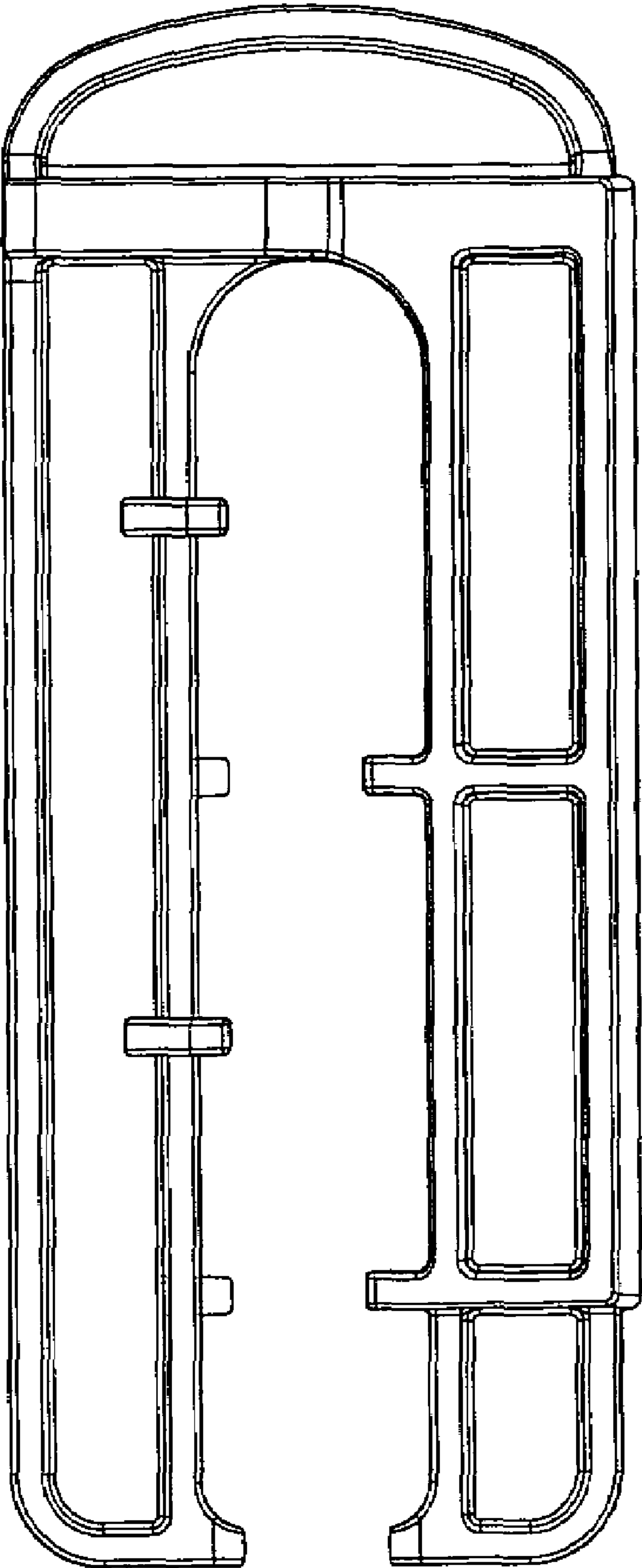


Fig. 5

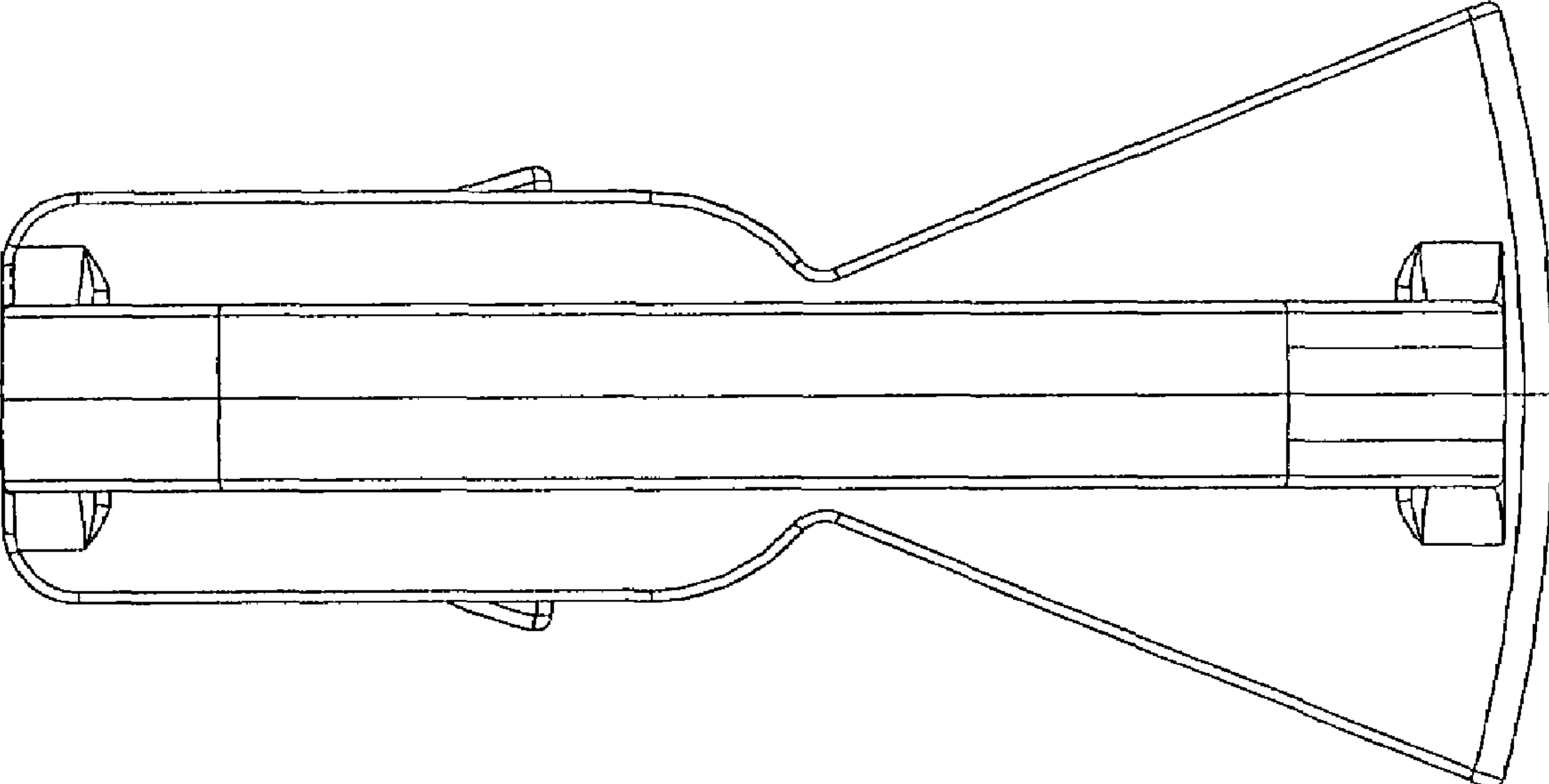


Fig. 6

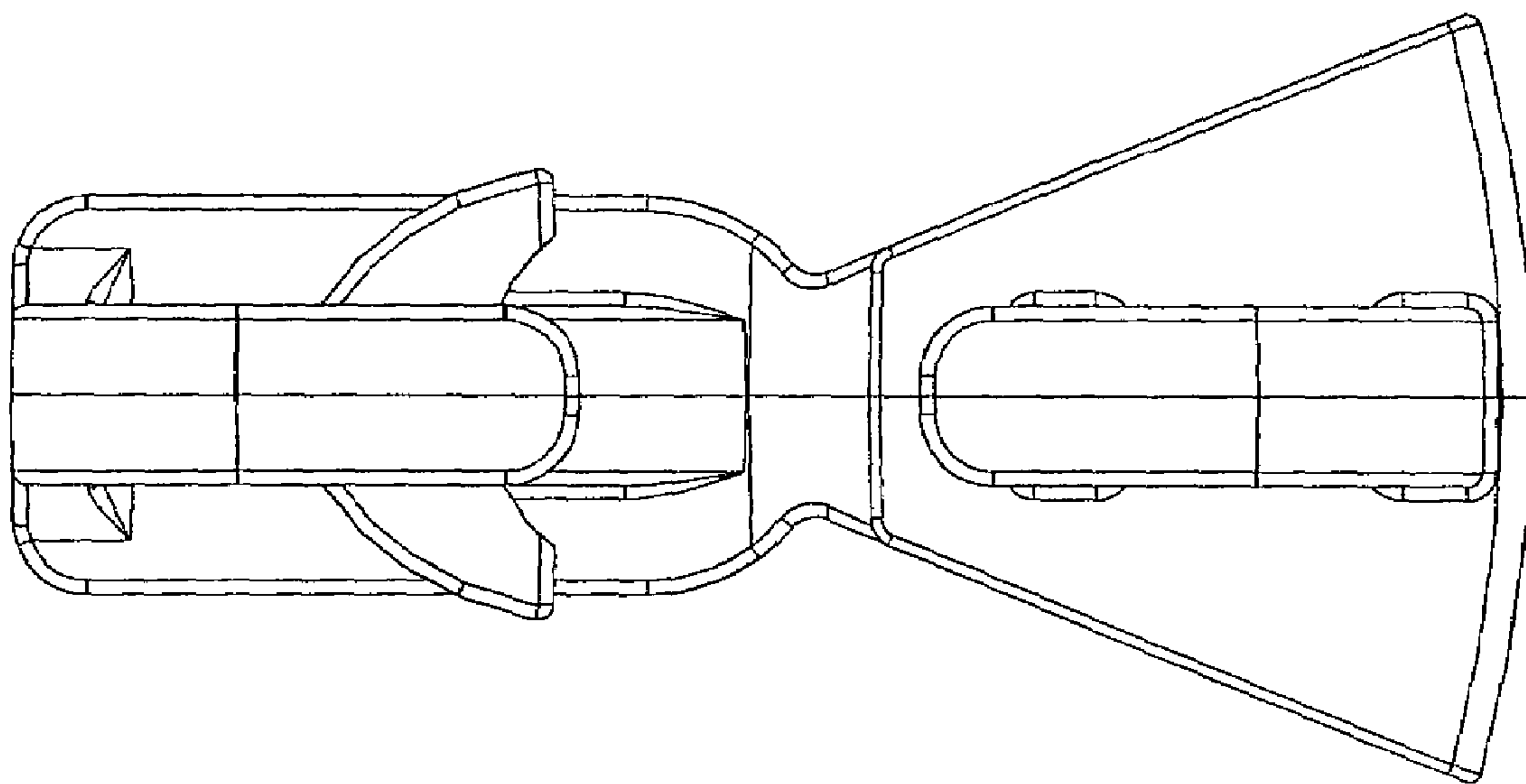


Fig. 7