



US00D601411S

(12) **United States Design Patent**
Barkdoll et al.

(10) **Patent No.:** **US D601,411 S**
(45) **Date of Patent:** **** Oct. 6, 2009**

(54) **HINGE CLIP FOR RETAIL SIGNAGE**

(75) Inventors: **Patrick J. Barkdoll**, Pecatonica, IL (US); **Stanley C. Valiulis**, Rockford, IL (US); **Thomas E. Valiulis**, Rockford, IL (US)

(73) Assignee: **Southern Imperial, Inc.**, Rockford, IL (US)

(**) Term: **14 Years**

(21) Appl. No.: **29/330,648**

(22) Filed: **Jan. 12, 2009**

(51) **LOC (9) Cl.** **08-08**

(52) **U.S. Cl.** **D8/395**

(58) **Field of Classification Search** D8/394–396, D8/72; D19/56, 65, 51; D32/60–64; D28/40; 24/67.3, 6, 11 M, 11 P, 13, 340, 351, 354, 24/355, 570; 248/316.5, 316.7

See application file for complete search history.

(56) **References Cited**

U.S. PATENT DOCUMENTS

D208,729 S *	9/1967	Geisinger	D8/394
D224,082 S *	7/1972	Kolstee	D8/382
D244,083 S *	4/1977	Pfeiffer	D8/354
D257,664 S *	12/1980	McKee	D8/354
D552,969 S *	10/2007	Bobrowski et al.	D8/354
D589,338 S *	3/2009	Baum	D8/395
2009/0056185 A1 *	3/2009	Wamsley	40/611.12

* cited by examiner

Primary Examiner—T. Chase Nelson
Assistant Examiner—John Windmuller

(74) *Attorney, Agent, or Firm*—Reinhart Boerner VanDeuren P.C.

(57) **CLAIM**

The ornamental design for a hinge clip for retail signage, as shown and described.

DESCRIPTION

FIG. 1 is an isometric view of a hinge clip for retail signage showing our new design in use with another hinge clip;

FIG. 2 is a left side view of the hinge clip showing our new design;

FIG. 3 is a front view thereof;

FIG. 4 is a right side view thereof;

FIG. 5 is a rear view thereof;

FIG. 6 is another isometric view thereof;

FIG. 7 is a bottom view thereof;

FIG. 8 is a top view thereof;

FIG. 9 is an isometric view thereof in an alternate position of use;

FIG. 10 is an isometric view thereof in use with a cross bar;

FIG. 11 is an isometric view thereof in an alternate position of use with a cross bar;

FIG. 12 is a further isometric view thereof in use with another hinge clip; and,

FIG. 13 is a still further isometric view thereof in use with another hinge clip.

The broken lines in the figures depict environment only and form no part of the claimed design.

1 Claim, 8 Drawing Sheets

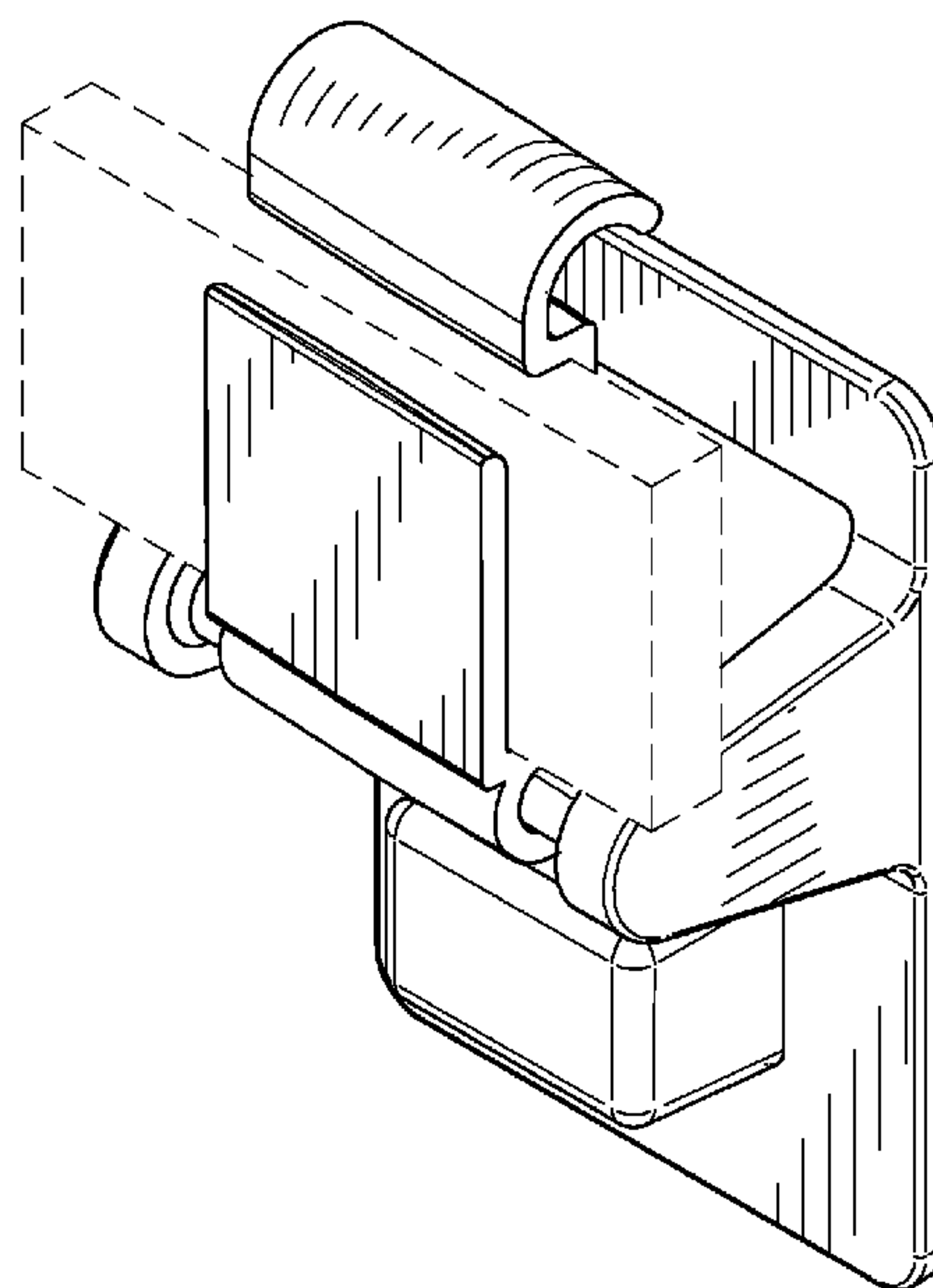
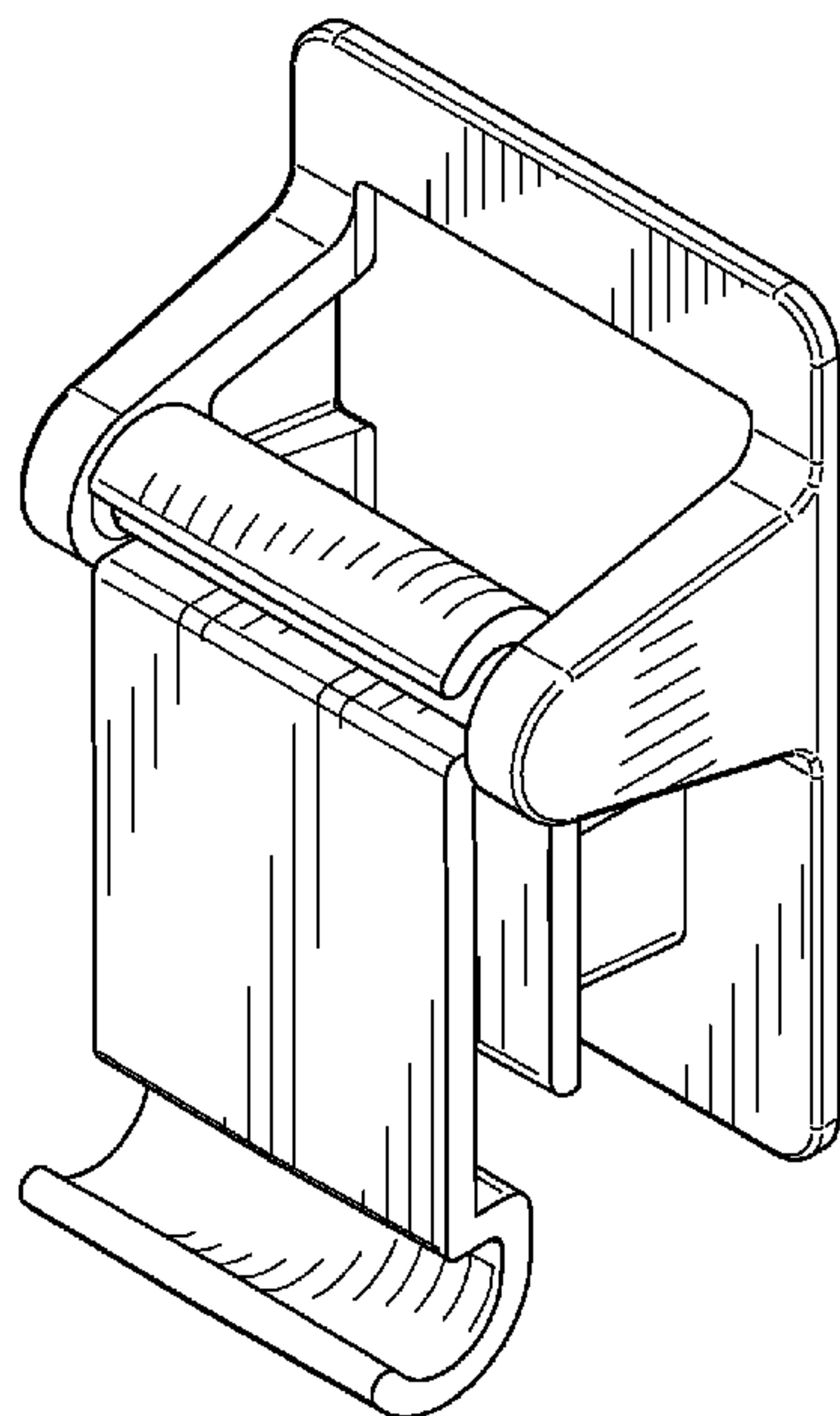
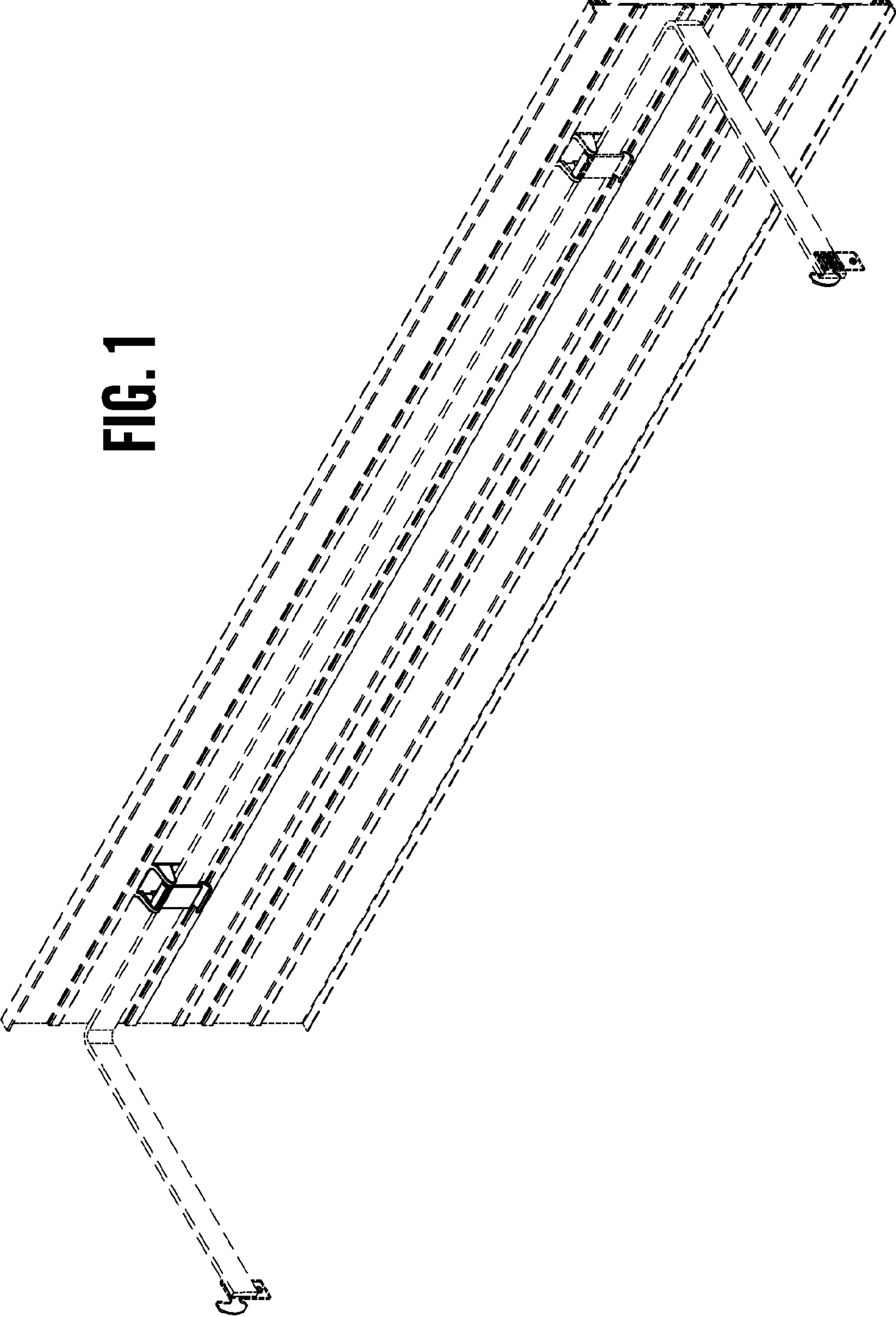


FIG. 1



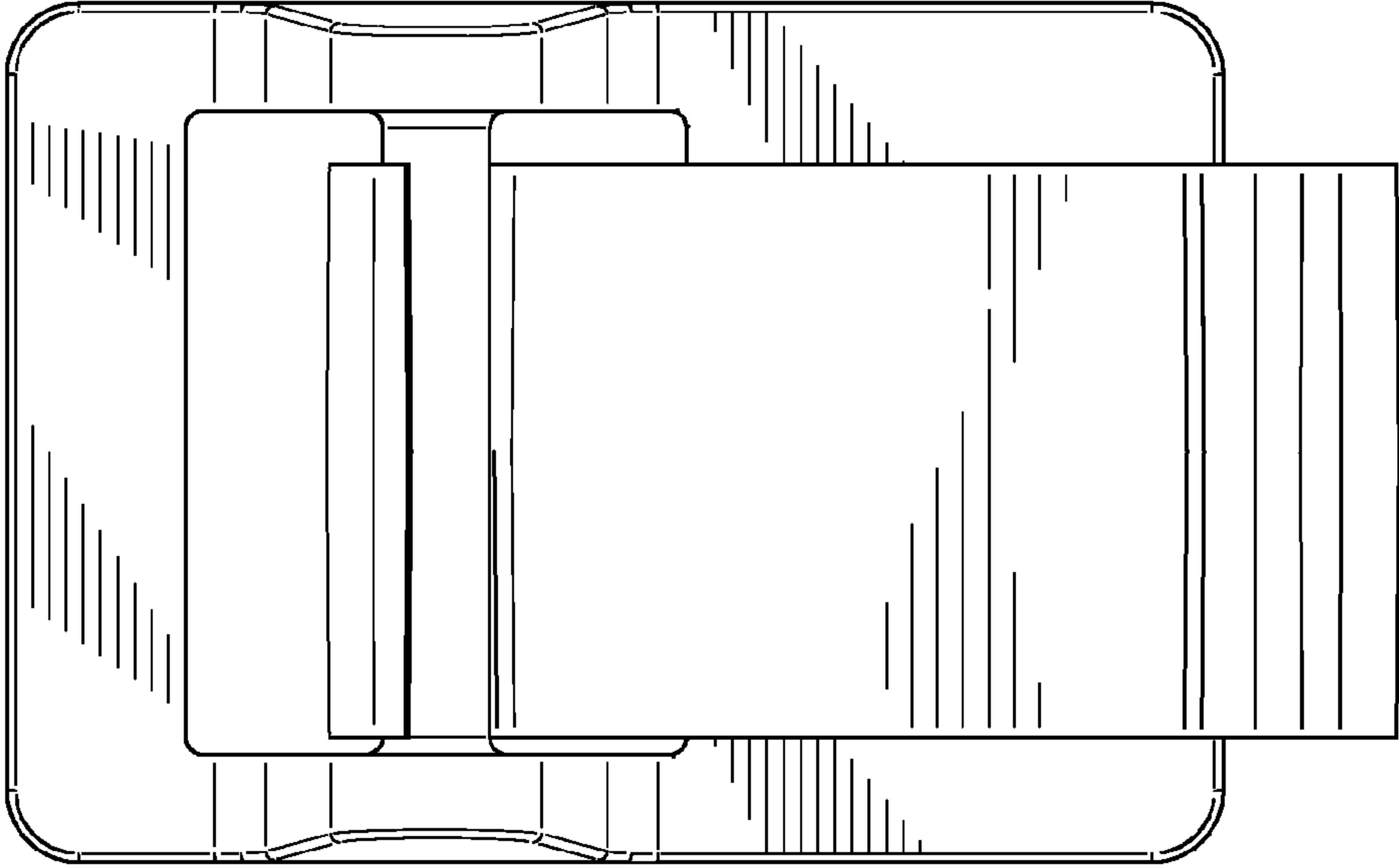


FIG. 3

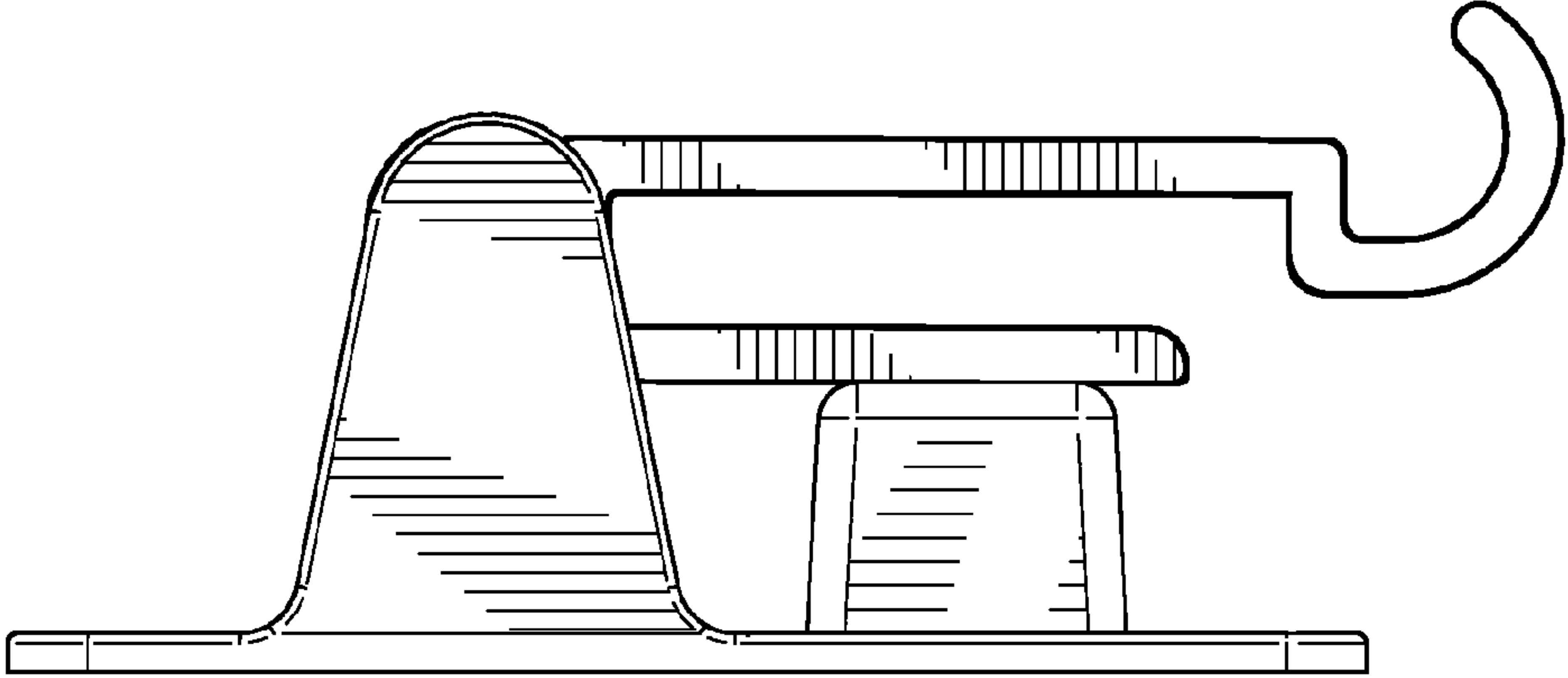


FIG. 2

FIG. 5

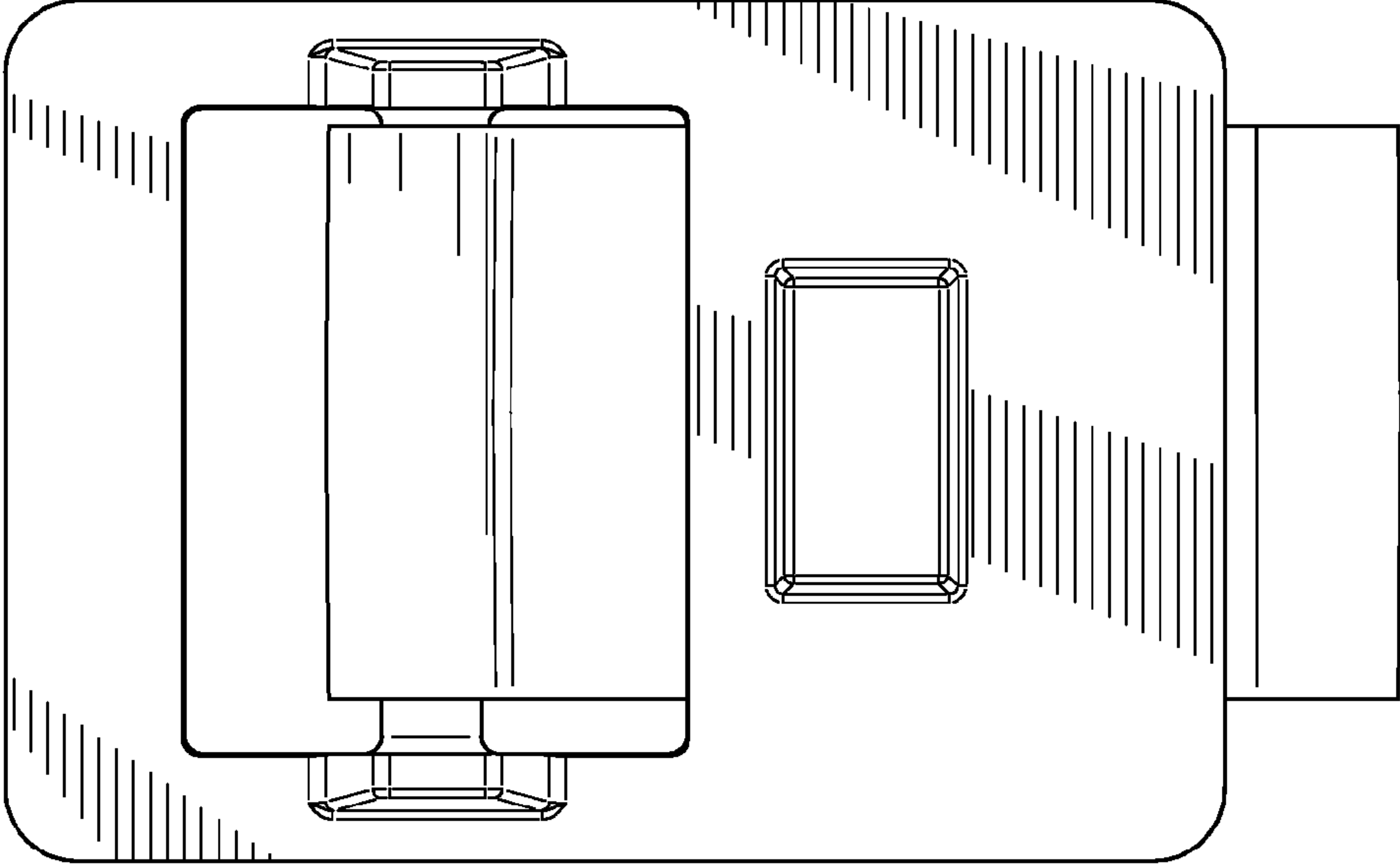
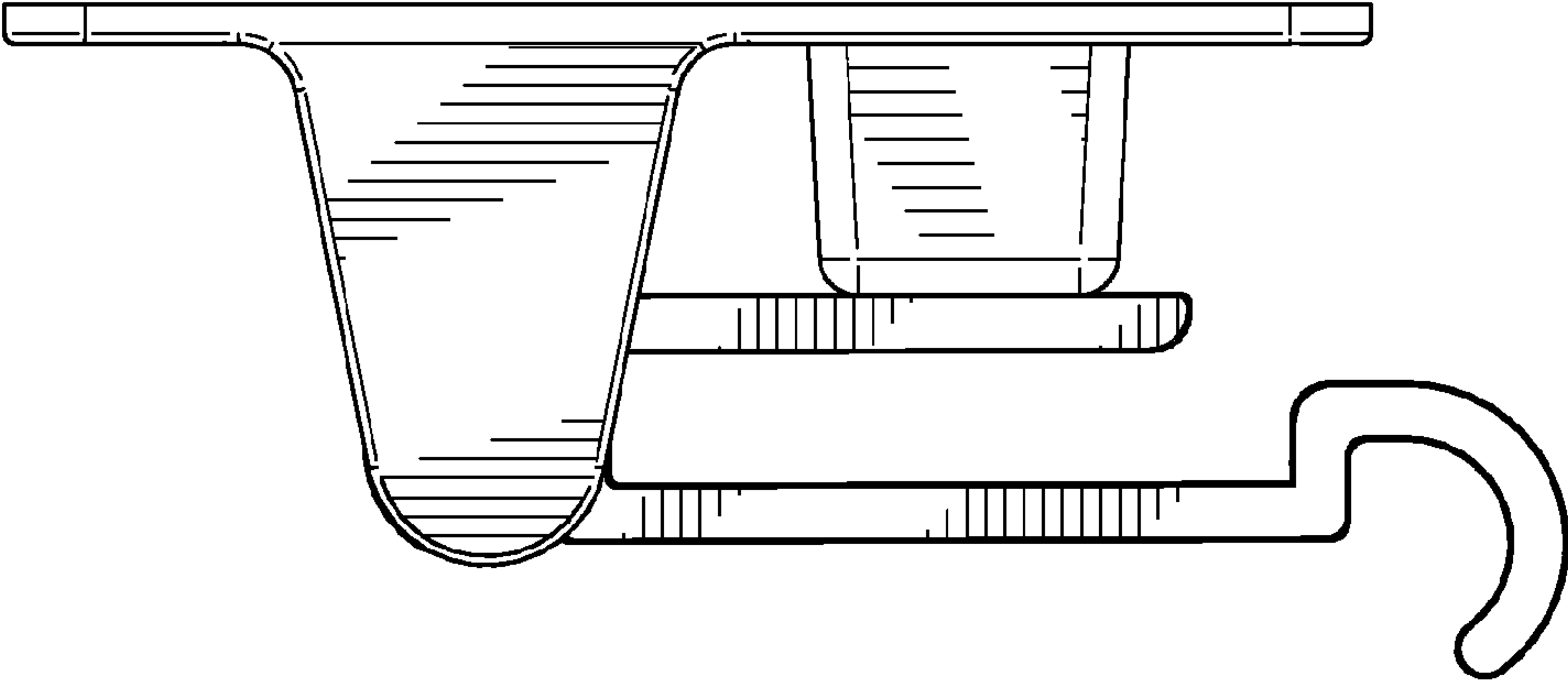


FIG. 4



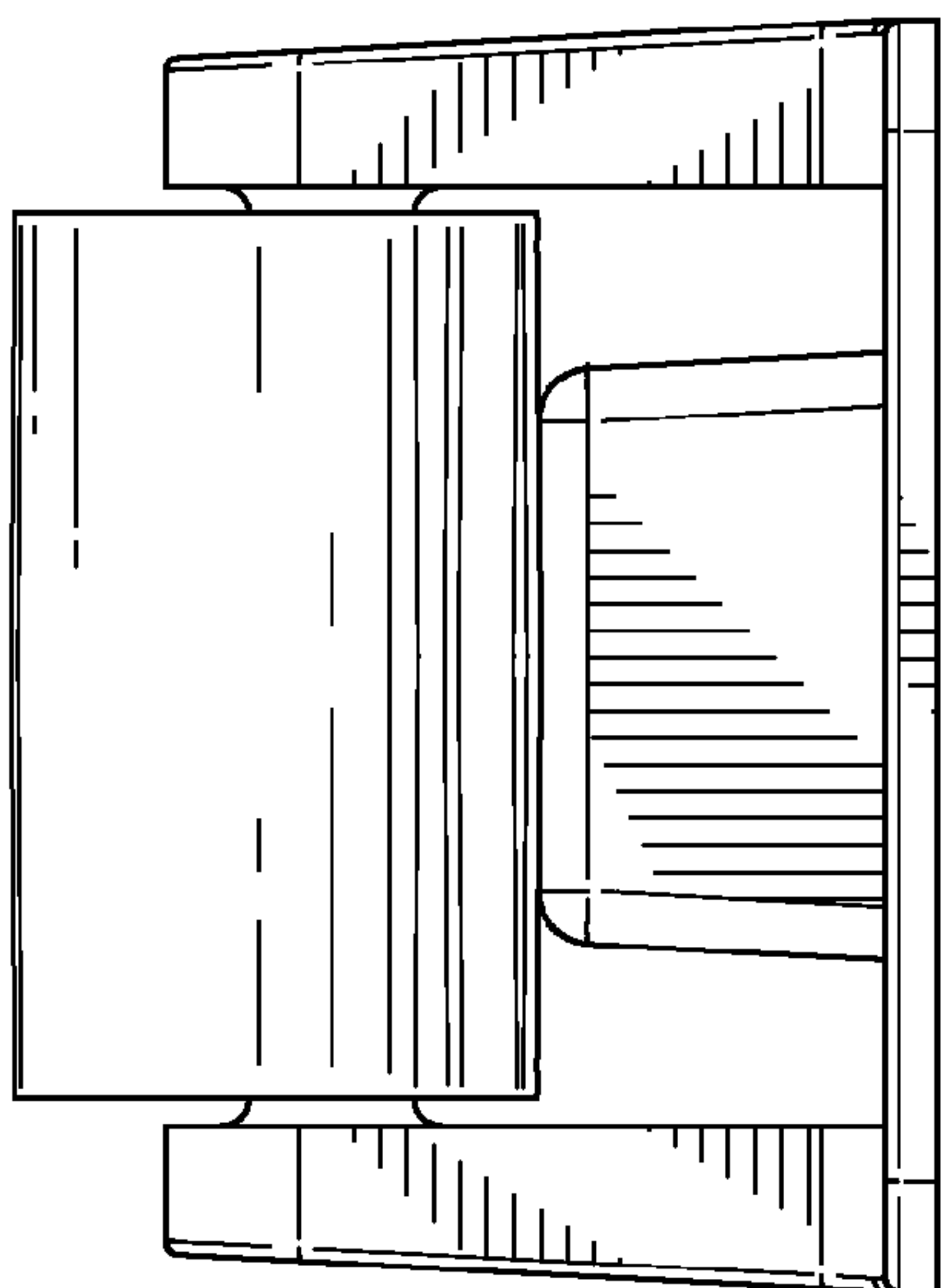


FIG. 7

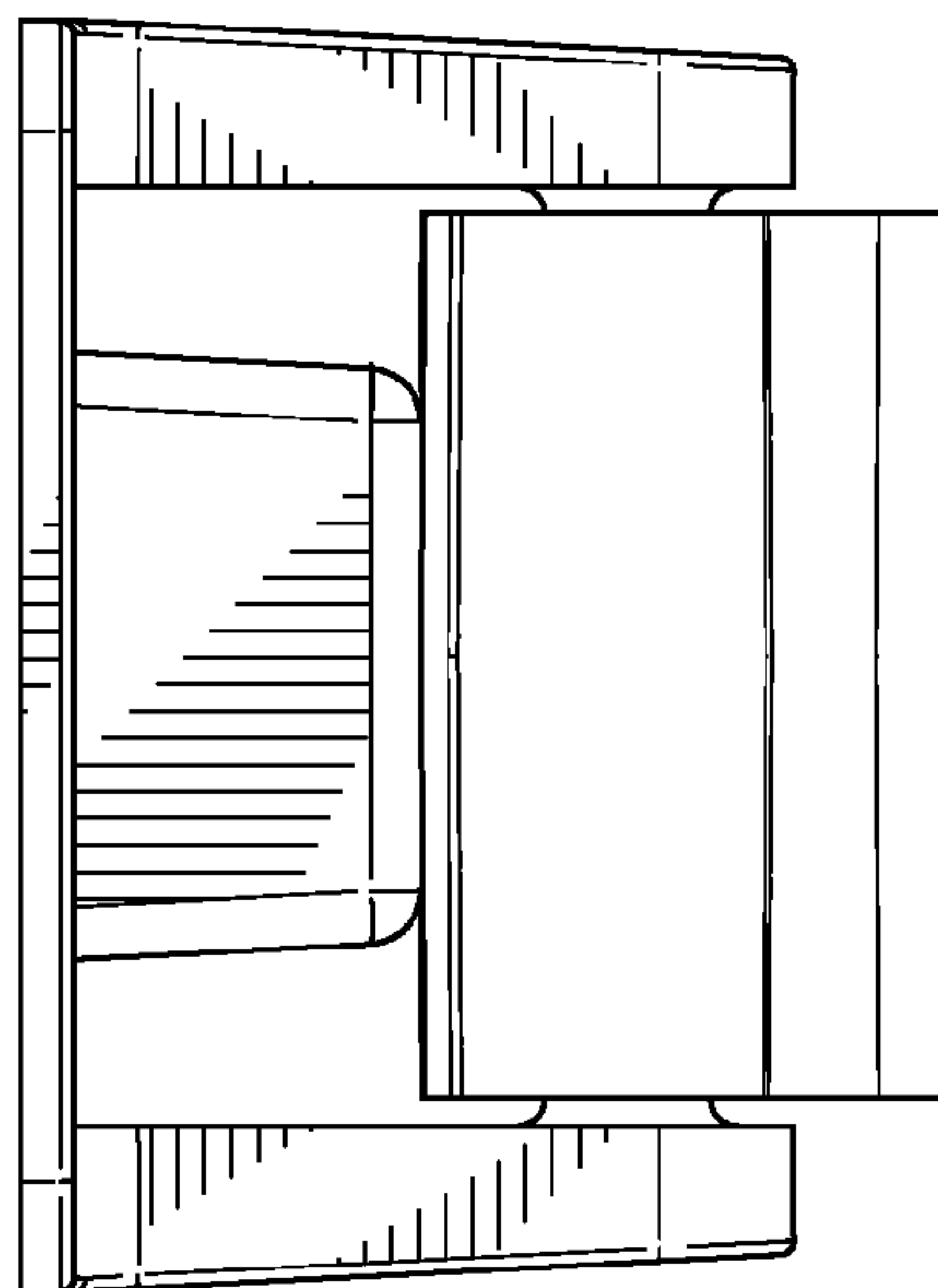


FIG. 8

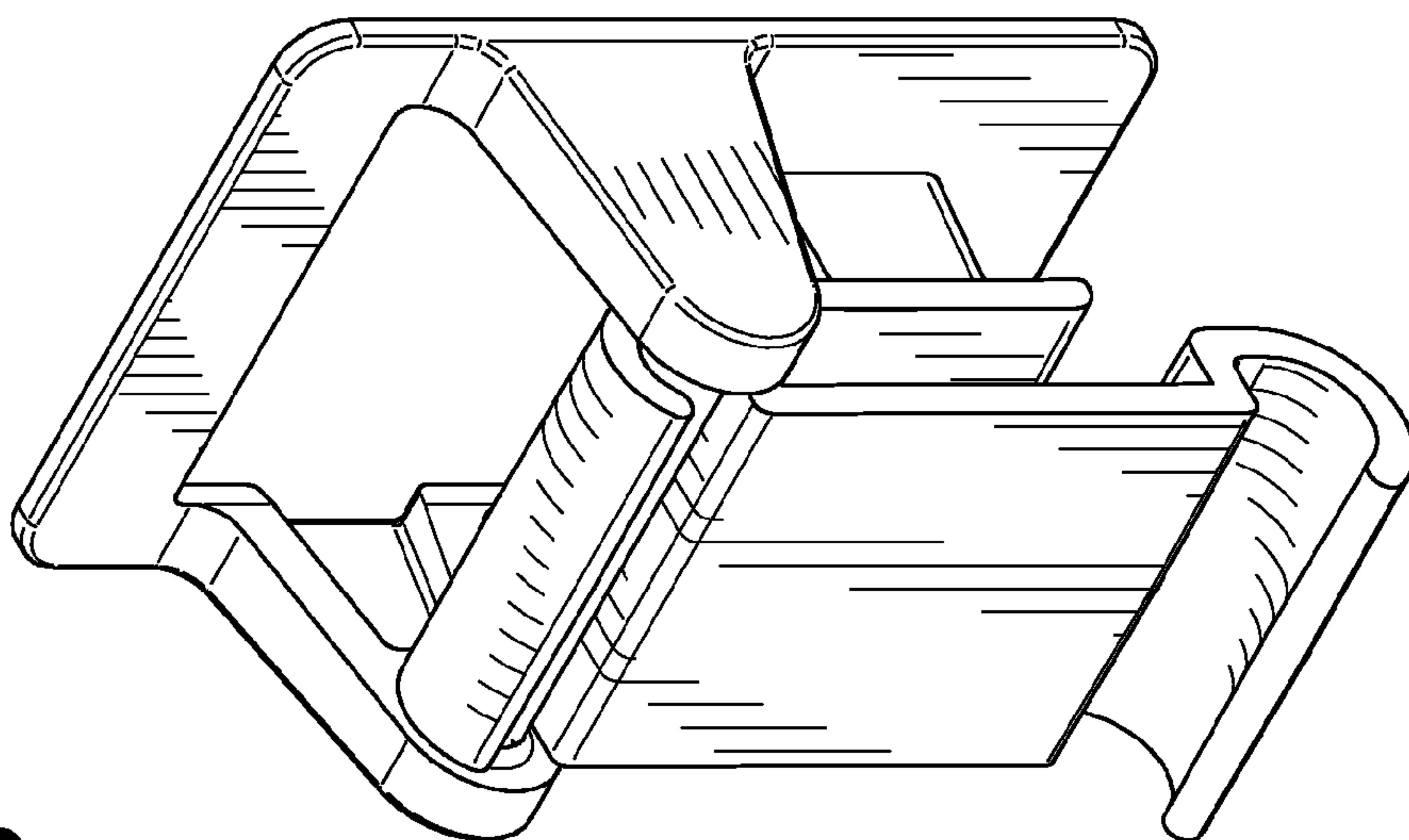


FIG. 6

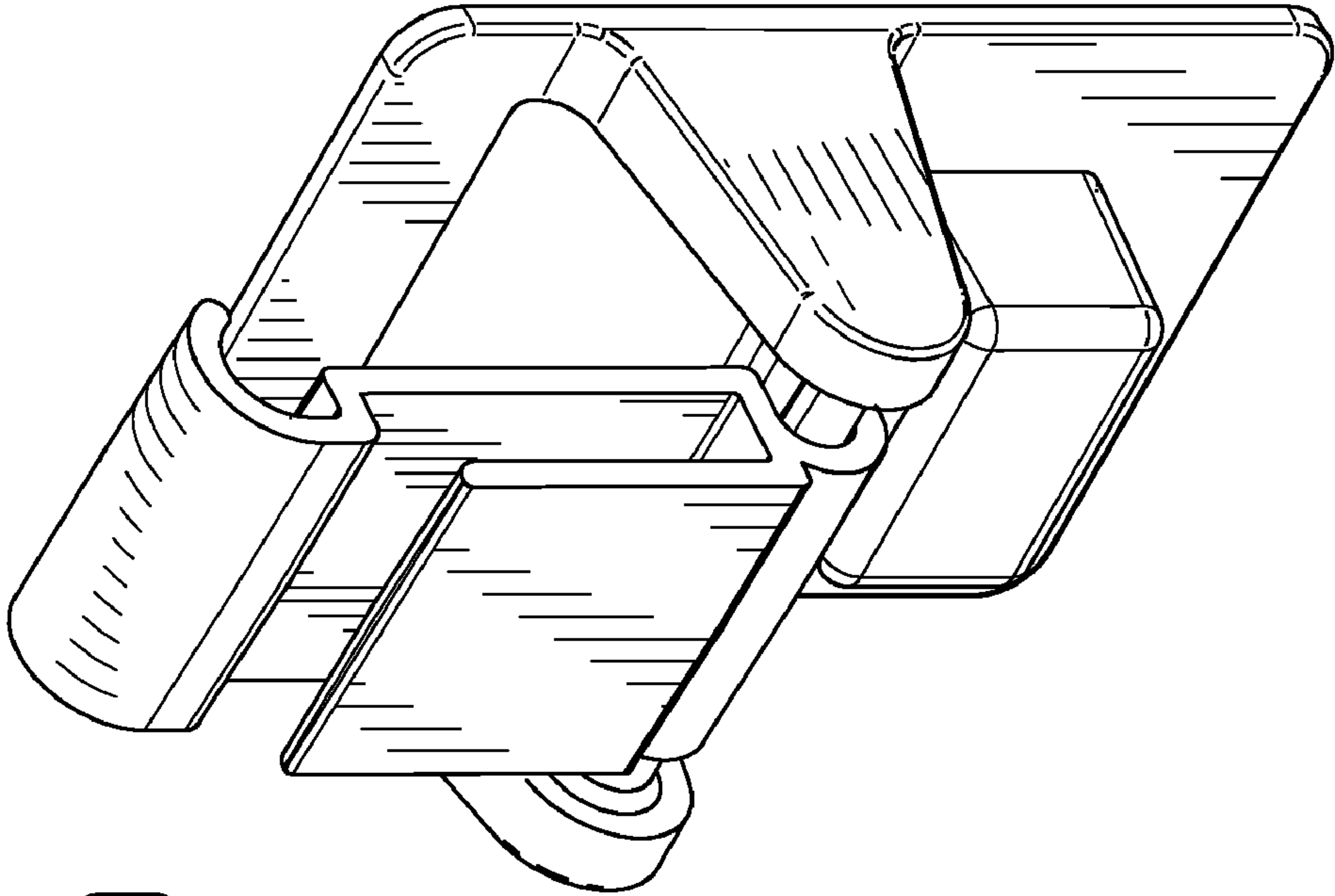


FIG. 9

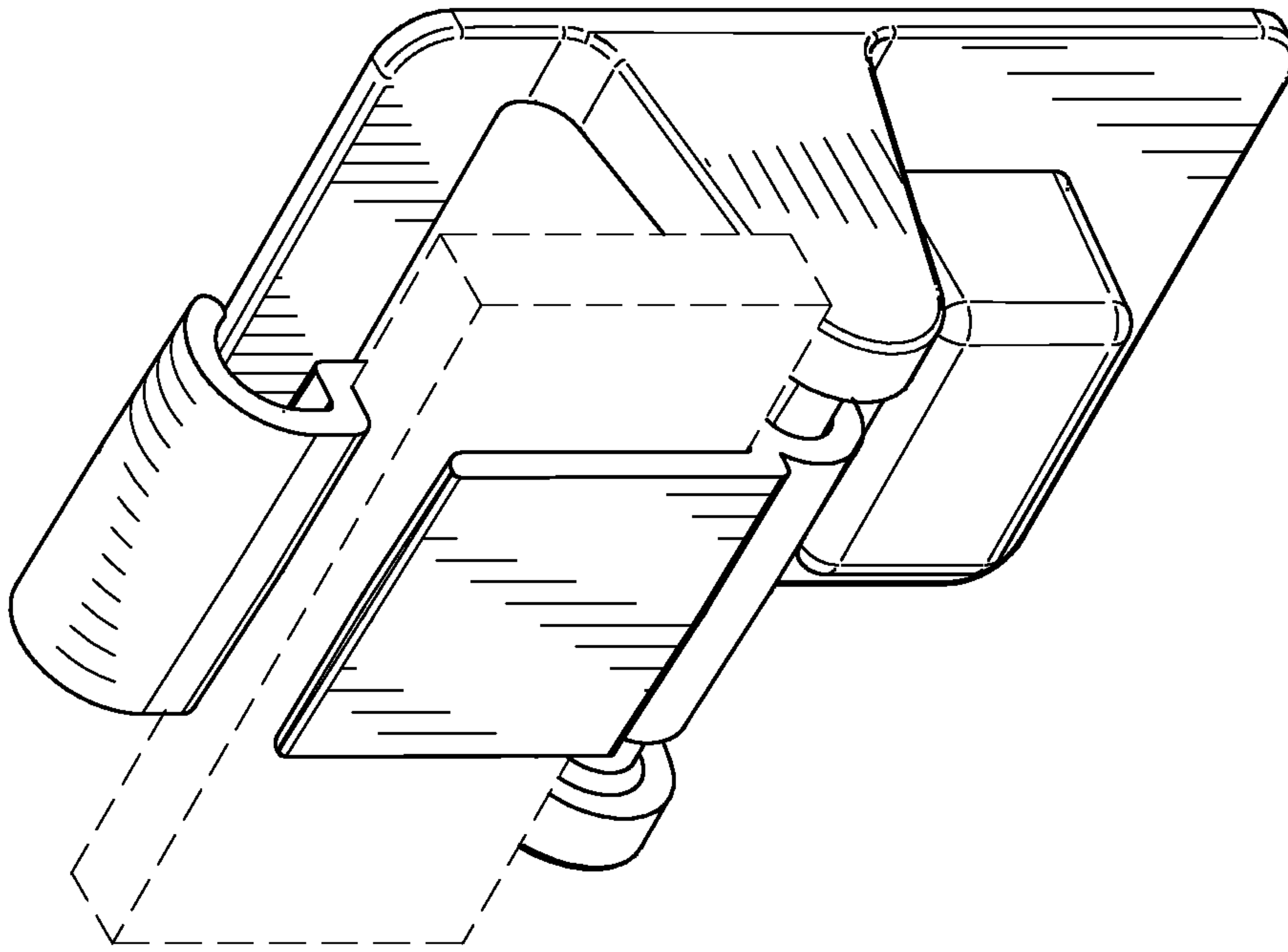


FIG. 11

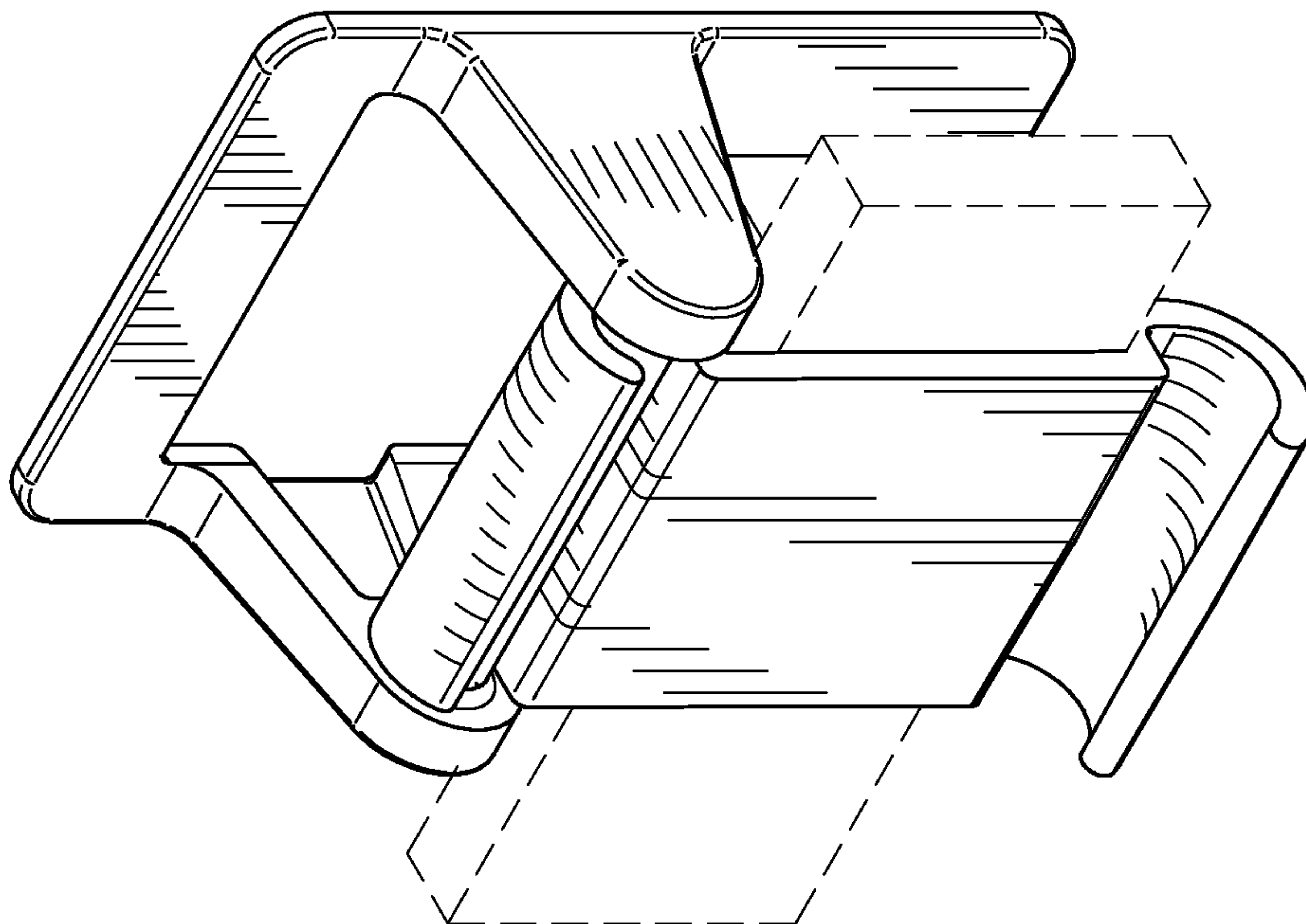


FIG. 10

FIG. 12

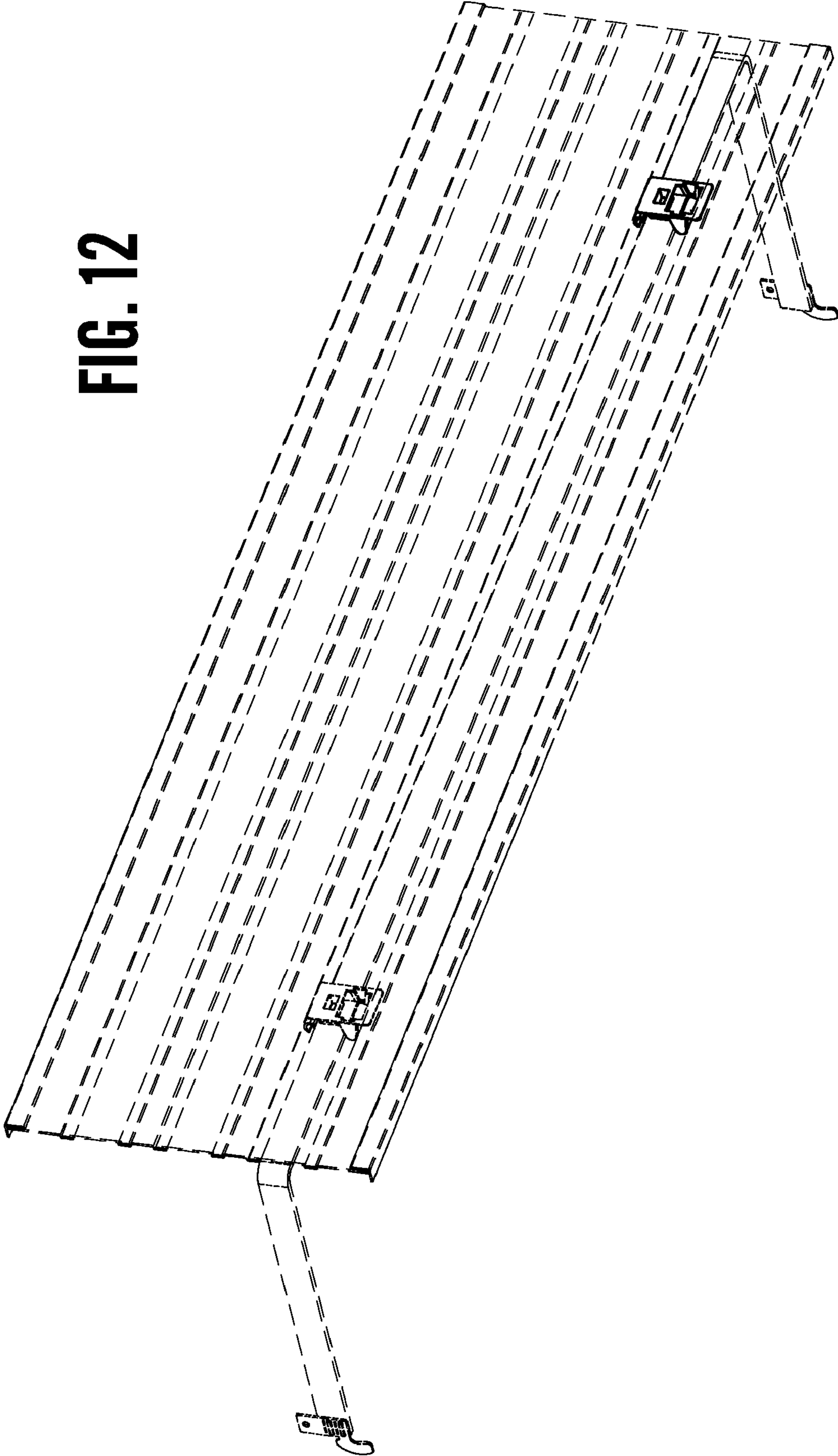


FIG. 13

