



US00D601403S

(12) **United States Design Patent**
Cosby et al.

(10) **Patent No.:** **US D601,403 S**

(45) **Date of Patent:** **** Oct. 6, 2009**

(54) **PULL BOLT**

(75) Inventors: **Scott Cosby**, Frenchs Forest (AU); **Neil Dunne**, Frenchs Forest (AU)

(73) Assignee: **D&D Group Pty Ltd**, Frenchs Forest, NSW (AU)

(**) Term: **14 Years**

(21) Appl. No.: **29/263,715**

(22) Filed: **Jul. 28, 2006**

(30) **Foreign Application Priority Data**

Jan. 31, 2006 (AU) 10310/2006

(51) **LOC (9) Cl.** **08-07**

(52) **U.S. Cl.** **D8/331; D8/339**

(58) **Field of Classification Search** D8/330,
D8/331, 343, 339, 349, 341; 70/107-111,
70/114, 118, 141, 488, 162; 292/2, 32, 63,
292/137, 174

See application file for complete search history.

(56) **References Cited**

U.S. PATENT DOCUMENTS

1,958,940	A	5/1934	Cavanaugh et al.	
2,219,186	A	10/1940	Hornfleck	
2,288,688	A	7/1942	Dubilier	
2,514,927	A	7/1950	Bernhard	
2,690,349	A	9/1954	Teetor	
2,942,907	A	6/1960	Nagel et al.	
3,046,776	A *	7/1962	Marotto et al.	70/97
3,334,936	A	8/1967	Hekelaar et al.	
D212,861	S *	12/1968	Raymond	D8/341
3,516,701	A	6/1970	Graham	
3,591,219	A *	7/1971	Graziosi	292/207
3,794,366	A	2/1974	Graham	
D301,116	S *	5/1989	Foshee et al.	D8/331
4,848,812	A	7/1989	Slaughter	
5,018,920	A *	5/1991	Speakman	411/43

D371,503	S *	7/1996	Nakano	D8/331
D457,113	S *	5/2002	Zapushek et al.	D12/162
D484,389	S *	12/2003	Evans	D8/331
D495,235	S *	8/2004	Burrows	D8/341
D502,859	S *	3/2005	Peng et al.	D8/331
6,905,152	B1 *	6/2005	Hudson	292/143
7,296,448	B1 *	11/2007	Shaw	70/283
2008/0016923	A1 *	1/2008	Zheng	70/92

FOREIGN PATENT DOCUMENTS

AU	138996	4/1948
FR	1180547	12/1958
GB	693564	7/1953
GB	1108996	4/1968
NZ	211470	1/1989
WO	9203631	3/1992

* cited by examiner

Primary Examiner—Prabhakar Deshmukh

(74) *Attorney, Agent, or Firm*—Fulwider Patton LLP

(57) **CLAIM**

The ornamental design for a pull bolt, as shown and described.

DESCRIPTION

FIG. 1 is a front perspective view of a pull bolt showing our new design;

FIG. 2 is a back perspective view;

FIG. 3 is a front view;

FIG. 4 is a back view;

FIG. 5 is a side view;

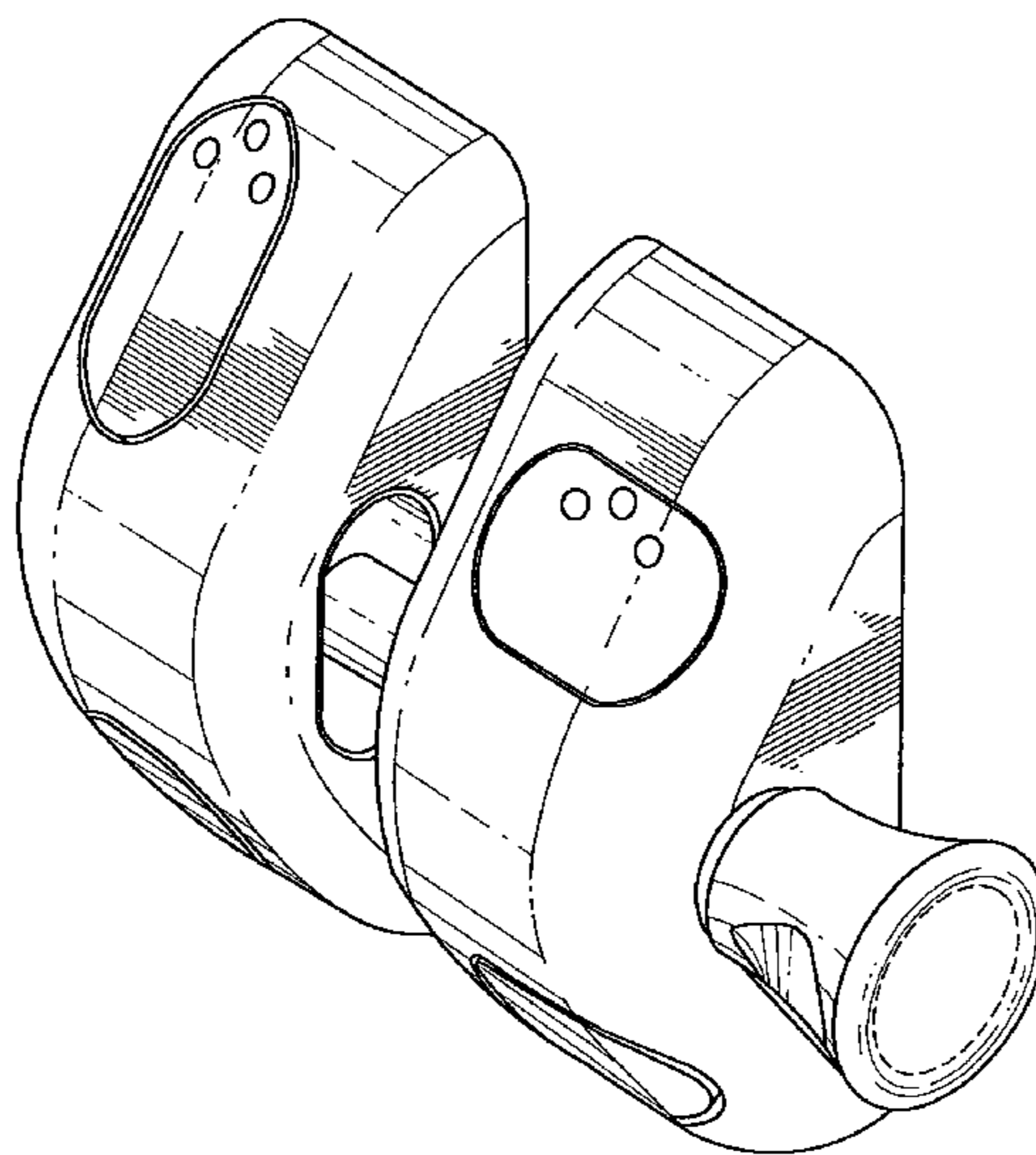
FIG. 6 is an opposing side view;

FIG. 7 is a top view; and,

FIG. 8 is a bottom view.

The broken line showing of the environment is for illustrative purposes only and forms no part of the claimed design.

1 Claim, 8 Drawing Sheets



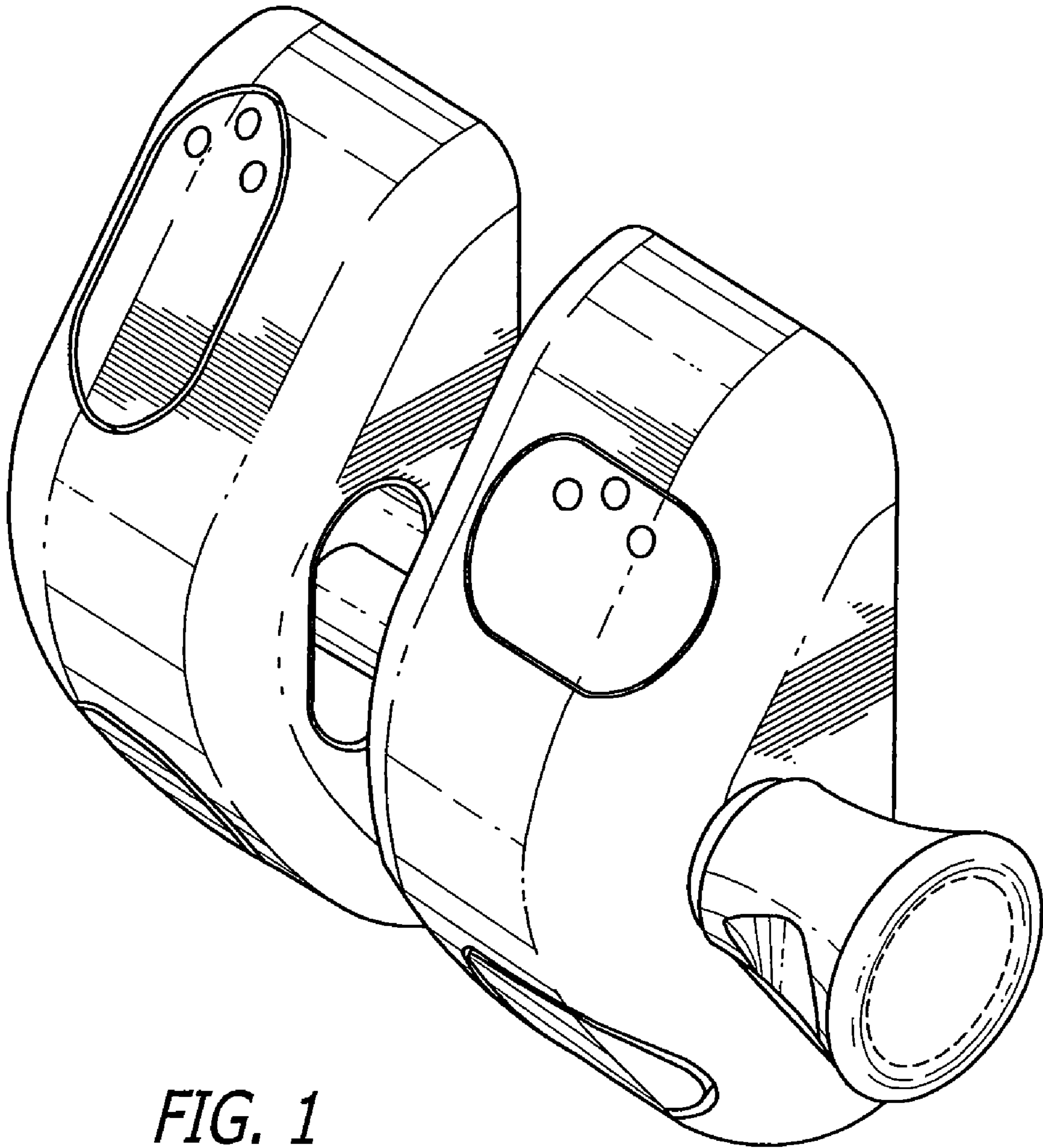


FIG. 1

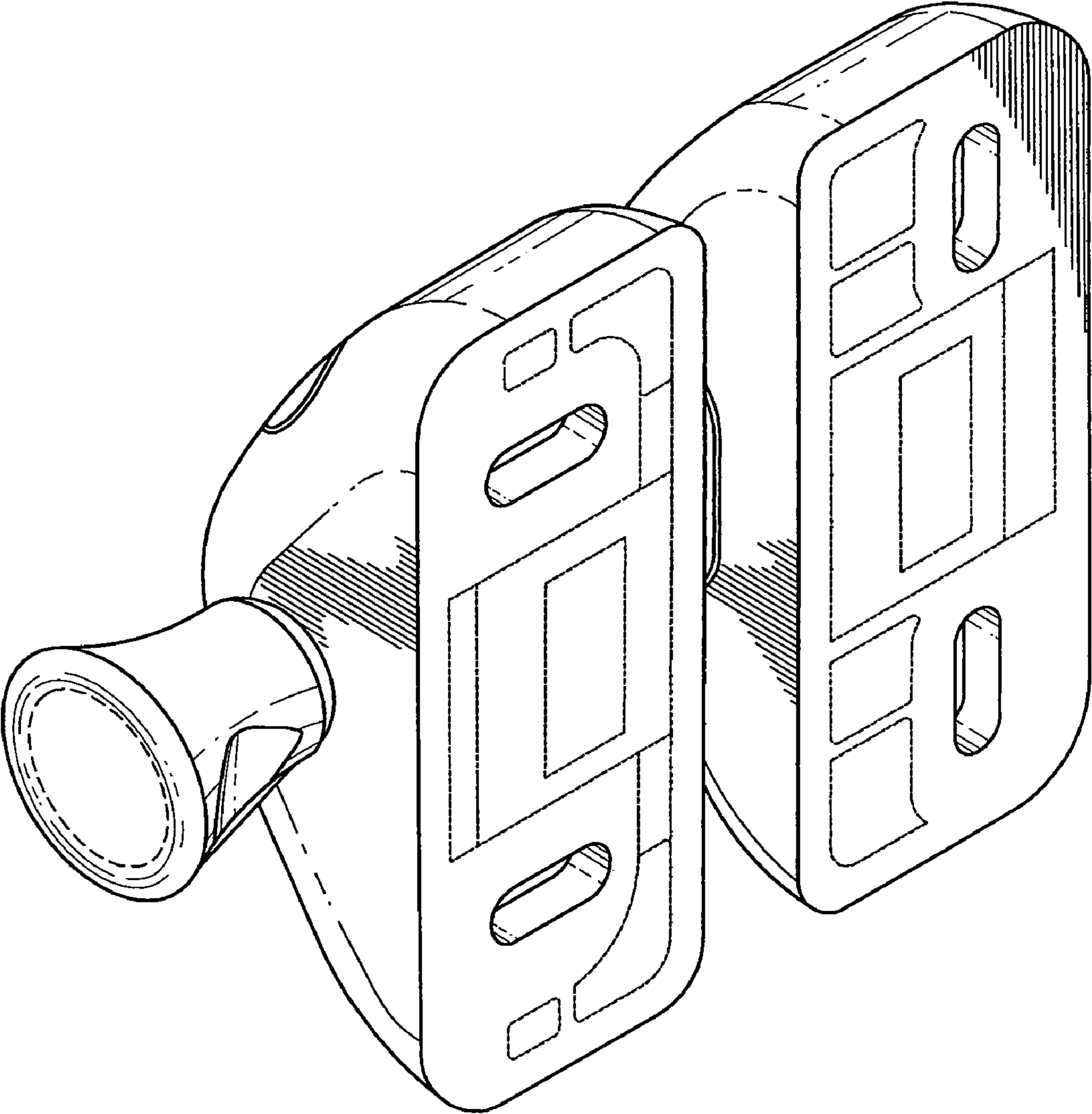


FIG. 2

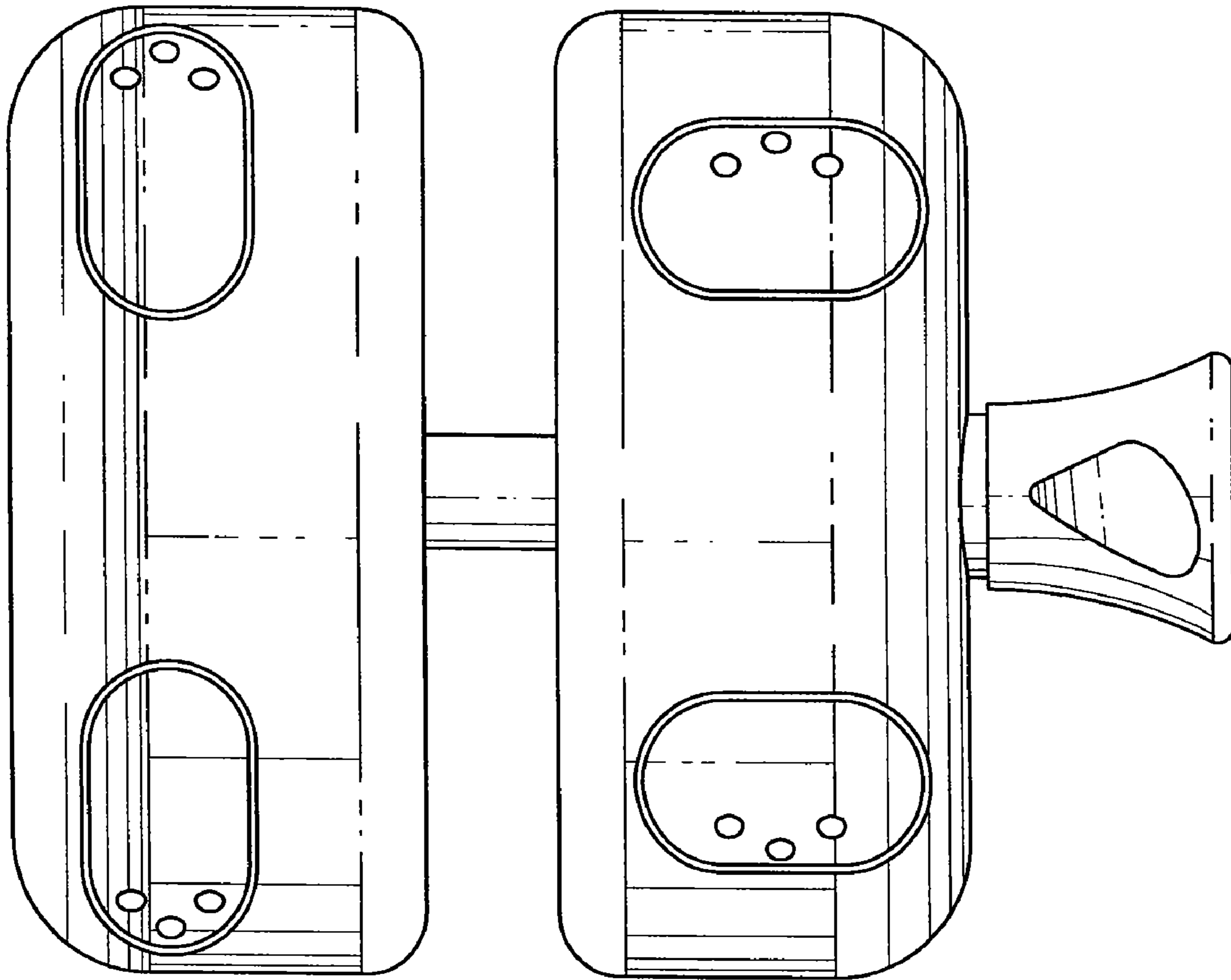


FIG. 3

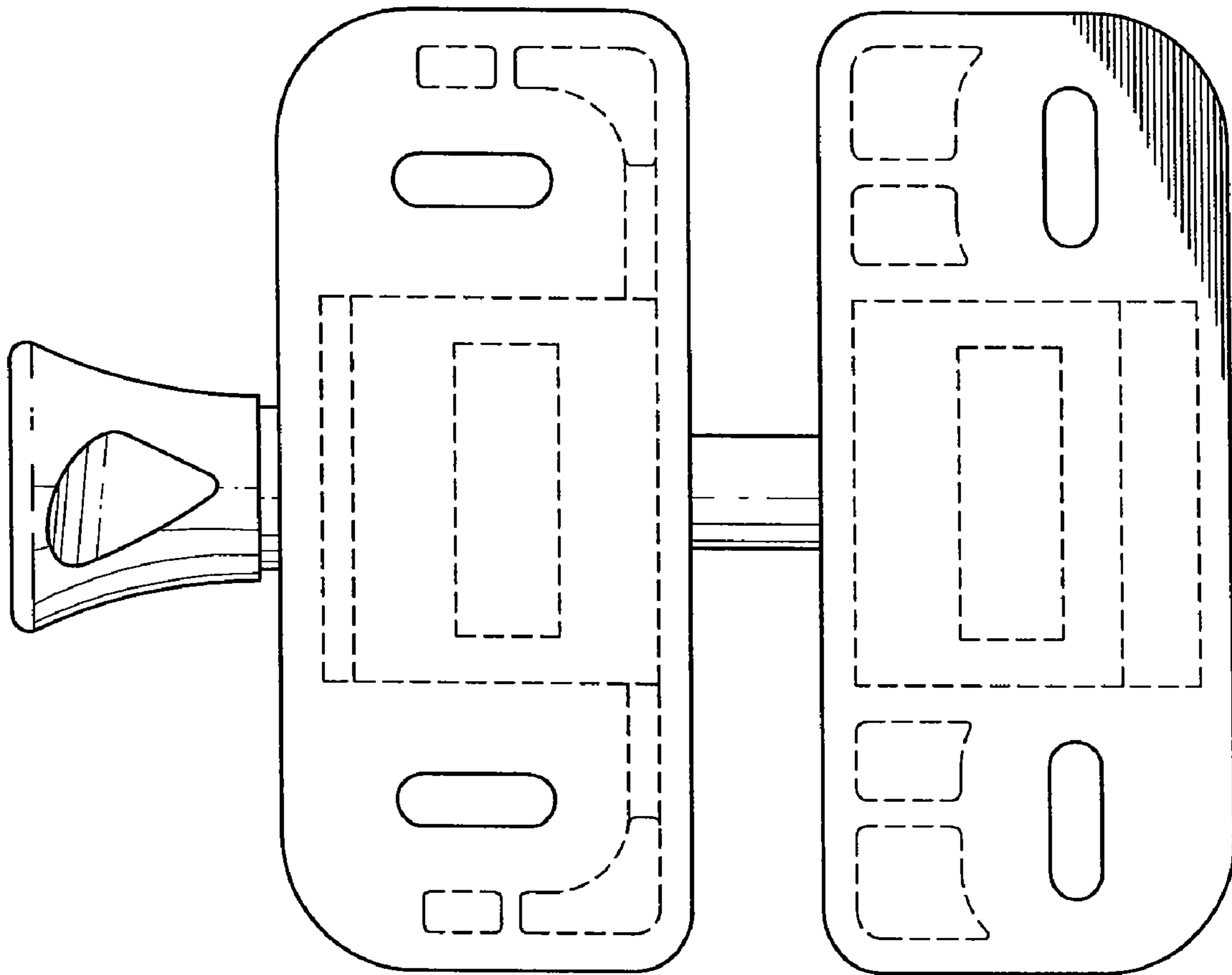


FIG. 4

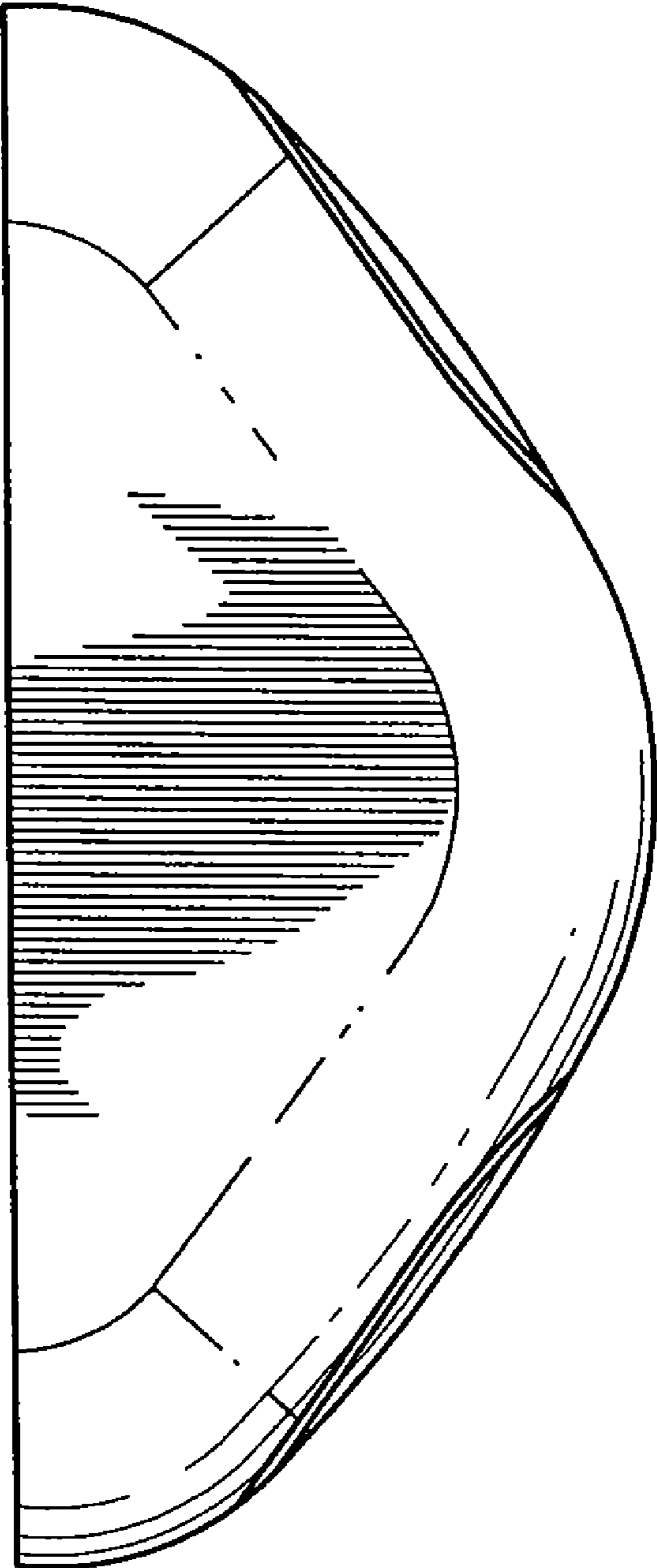


FIG. 5

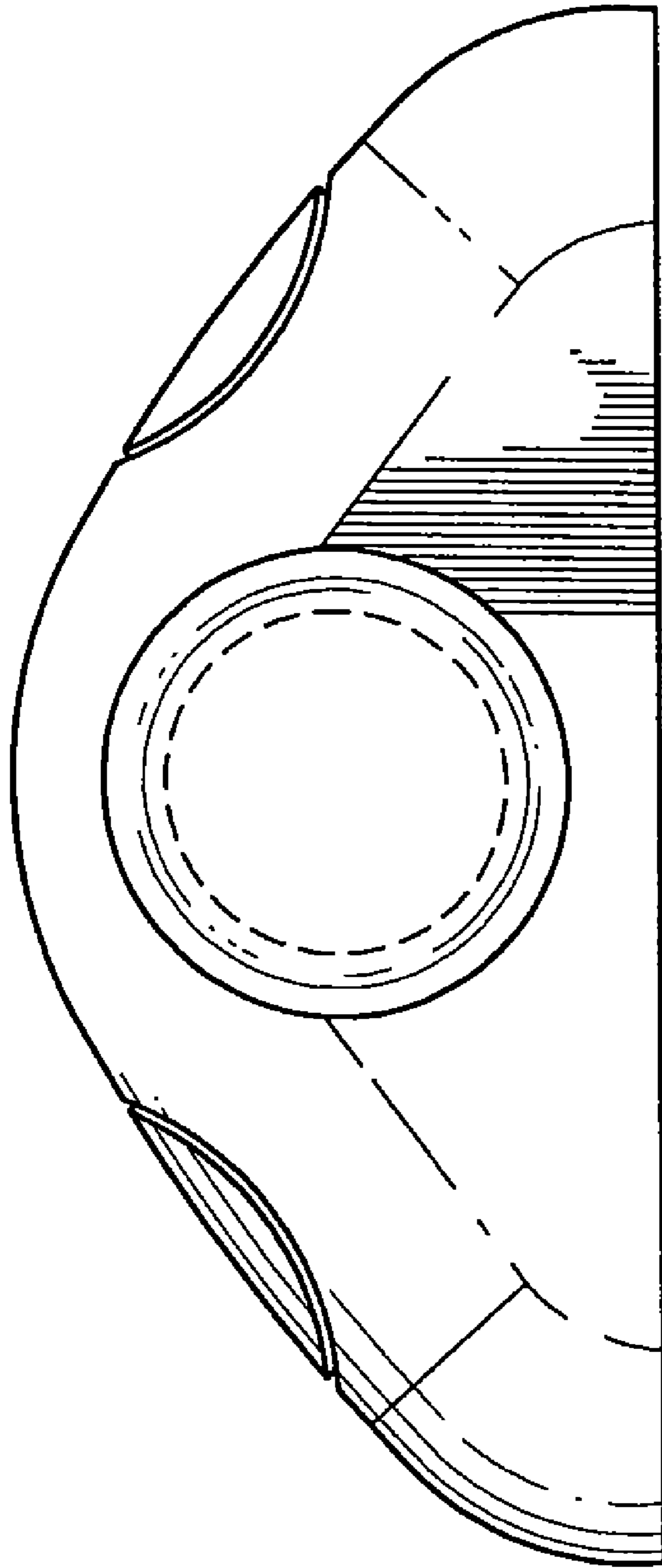


FIG. 6

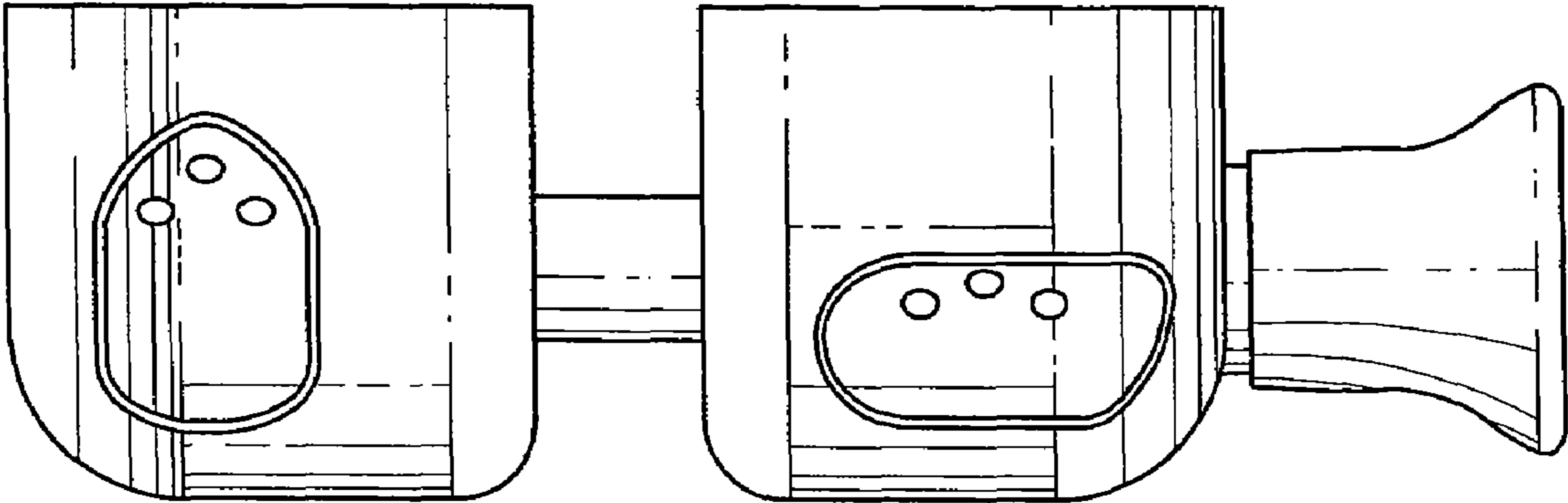


FIG. 7

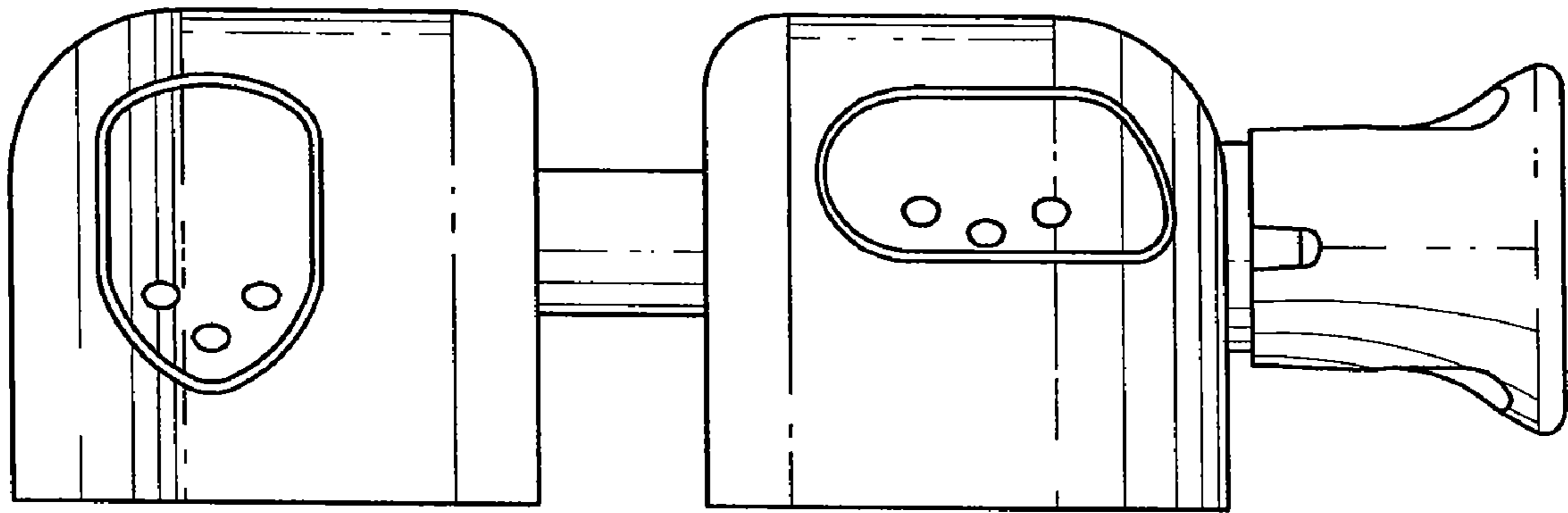


FIG. 8