



US00D601399S

(12) **United States Design Patent**  
**Chen**

(10) **Patent No.:** **US D601,399 S**

(45) **Date of Patent:** **\*\* Oct. 6, 2009**

(54) **SCREWDRIVER**

(75) Inventor: **Tsai-Ching Chen**, Fu Hsing (TW)

(73) Assignee: **Fanny Hi**, Yilan County (TW)

(\*\*) Term: **14 Years**

(21) Appl. No.: **29/325,148**

(22) Filed: **Sep. 26, 2008**

(51) **LOC (9) Cl.** ..... **08-04**

(52) **U.S. Cl.** ..... **D8/83**

(58) **Field of Classification Search** ..... D8/82,  
D8/83, 84, 85, 86, 87, 107, 70, 14; 81/177.1,  
81/436, 437, 439, 440, 489

See application file for complete search history.

(56) **References Cited**

**U.S. PATENT DOCUMENTS**

3,742,787	A	*	7/1973	Whiteford	.....	81/61
D248,922	S	*	8/1978	Osak, Jr.	.....	D8/82
D276,211	S	*	11/1984	Lee	.....	D8/83
D278,027	S	*	3/1985	Tang	.....	D8/82
D278,593	S	*	4/1985	MacGregor	.....	D8/83
D387,964	S	*	12/1997	Urvoy	.....	D8/82
D388,680	S	*	1/1998	Lin	.....	D8/83
D401,493	S	*	11/1998	Lin	.....	D8/107
D410,371	S	*	6/1999	Sheu	.....	D8/82
5,967,003	A	*	10/1999	Lin	.....	81/58.3

D432,887	S	*	10/2000	Lossen	.....	D8/85
D573,862	S	*	7/2008	Kao	.....	D8/85
D592,313	S	*	5/2009	Levine	.....	D24/214

\* cited by examiner

*Primary Examiner*—Philip S Hyder

(74) *Attorney, Agent, or Firm*—Alan Kamrath; Kamrath & Associates PA

(57) **CLAIM**

The ornamental design for screwdriver, as shown and described.

**DESCRIPTION**

FIG. 1 is a perspective view of a screwdriver showing my new design;

FIG. 2 is a front view thereof;

FIG. 3 is a rear view thereof;

FIG. 4 is a left view thereof;

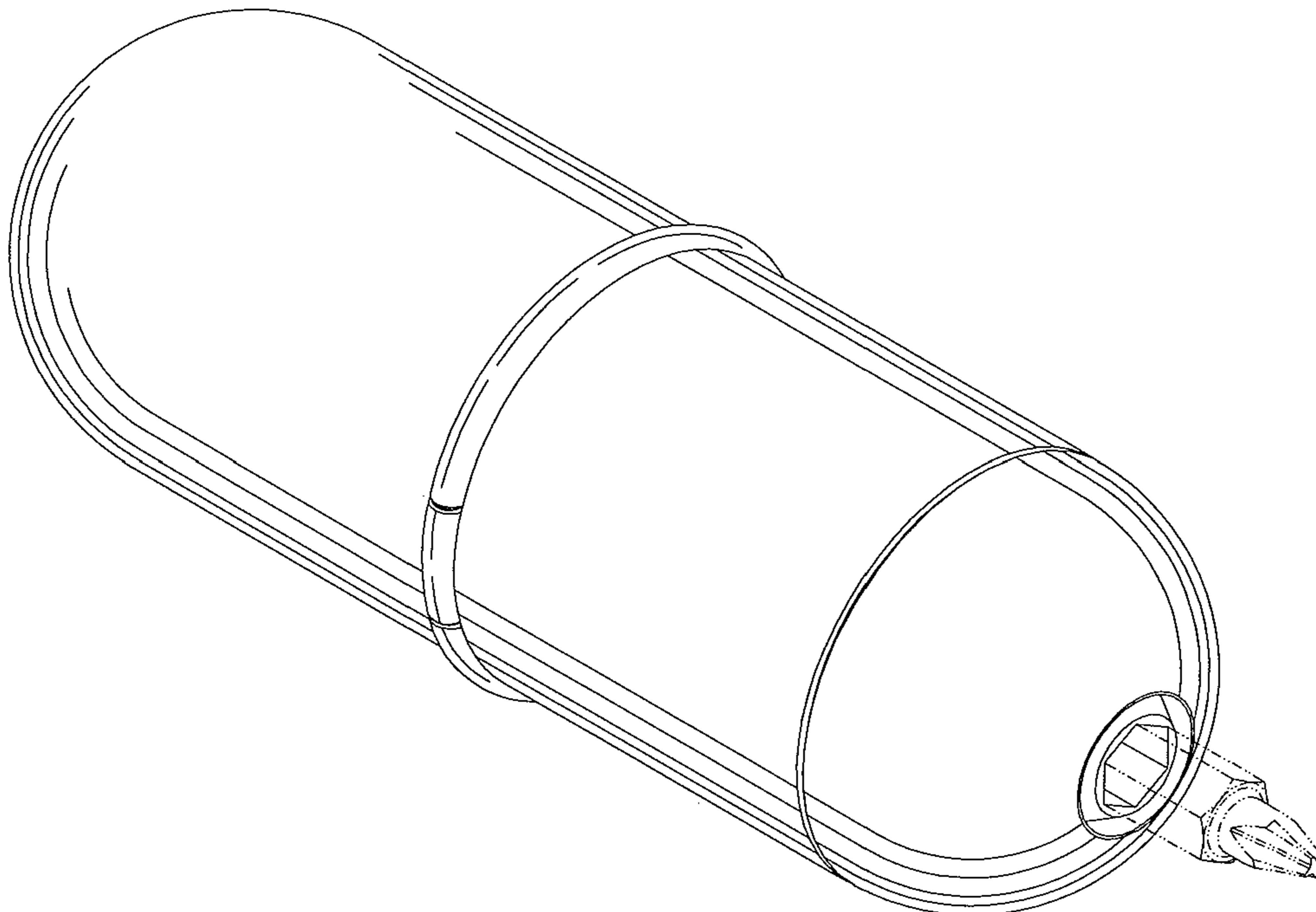
FIG. 5 is a right view thereof;

FIG. 6 is a top view thereof; and

FIG. 7 is a bottom view thereof; and,

FIG. 8 is the perspective view embodying the utilization of screwdriver in which the broken line is for environmental purposes only and forms no part of the claimed design.

**1 Claim, 4 Drawing Sheets**



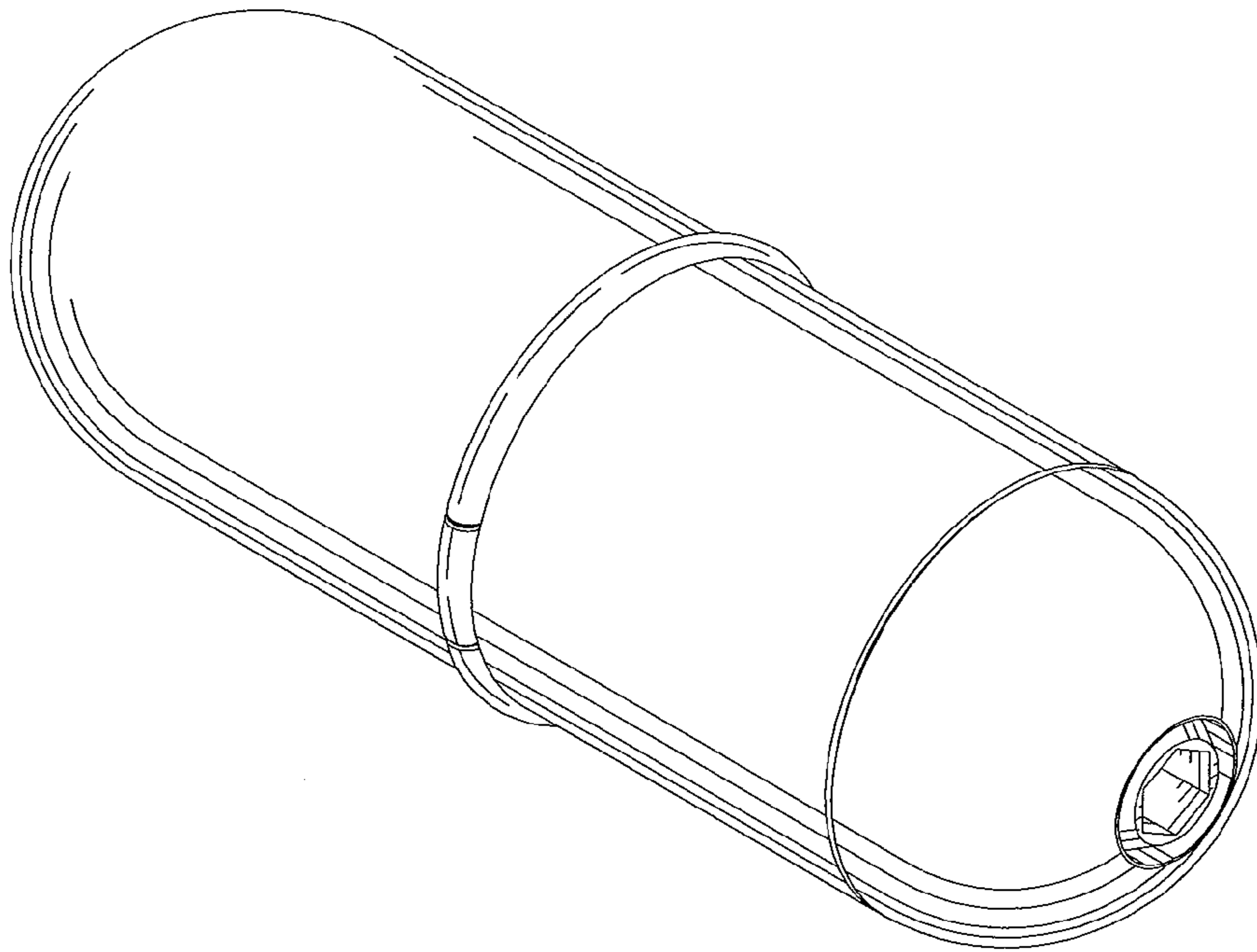


Fig.1

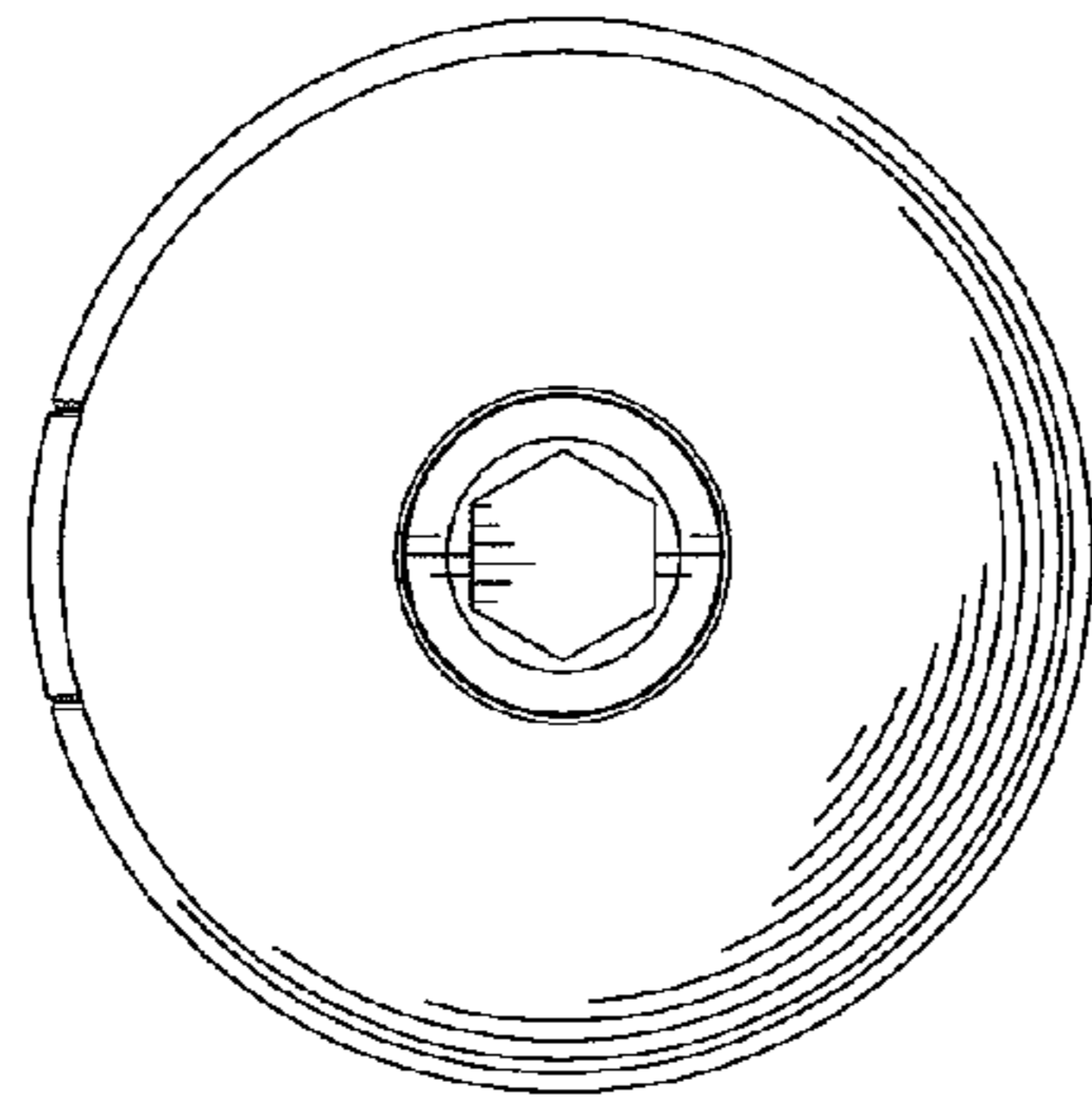


Fig.2

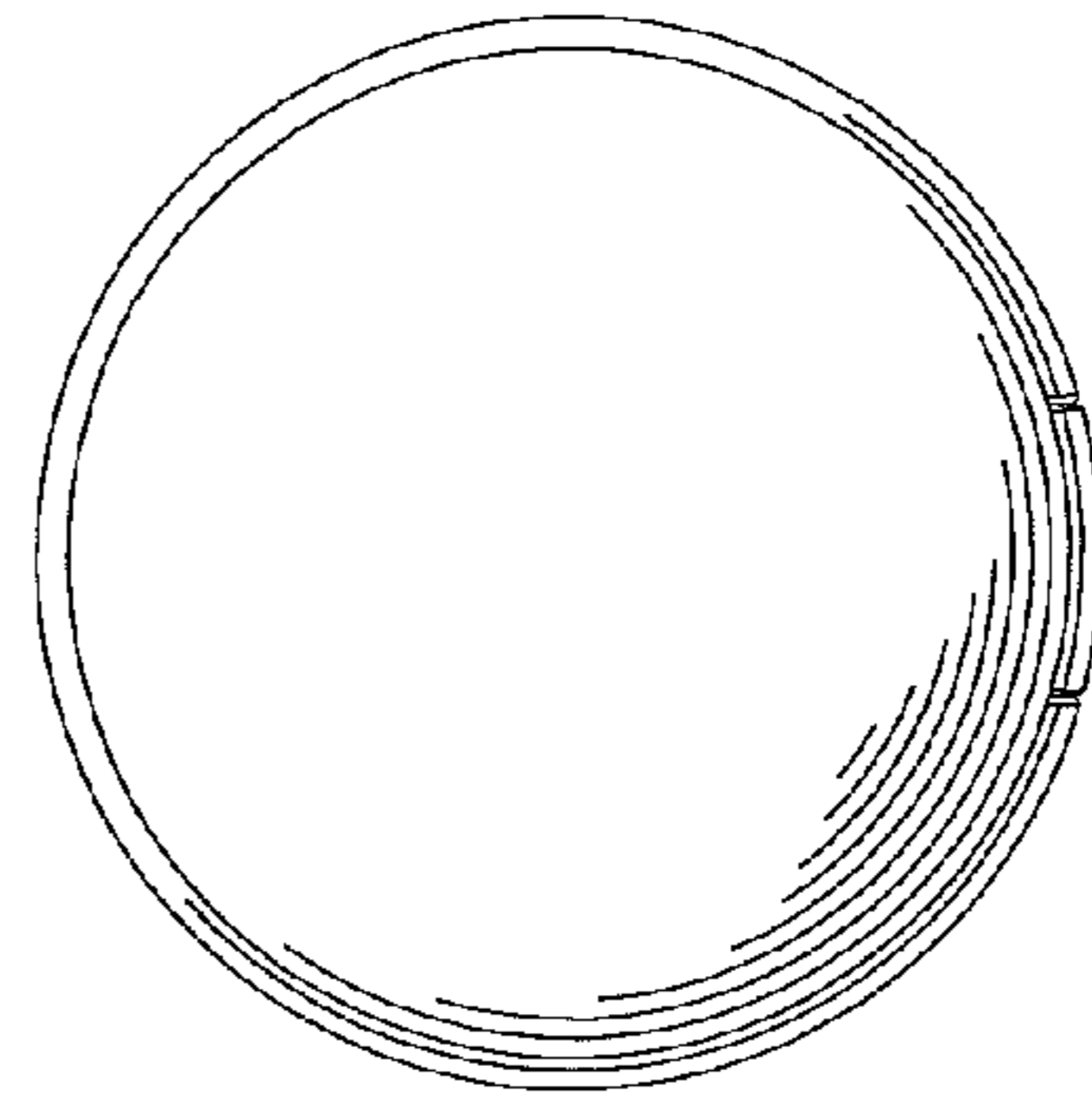


Fig.3

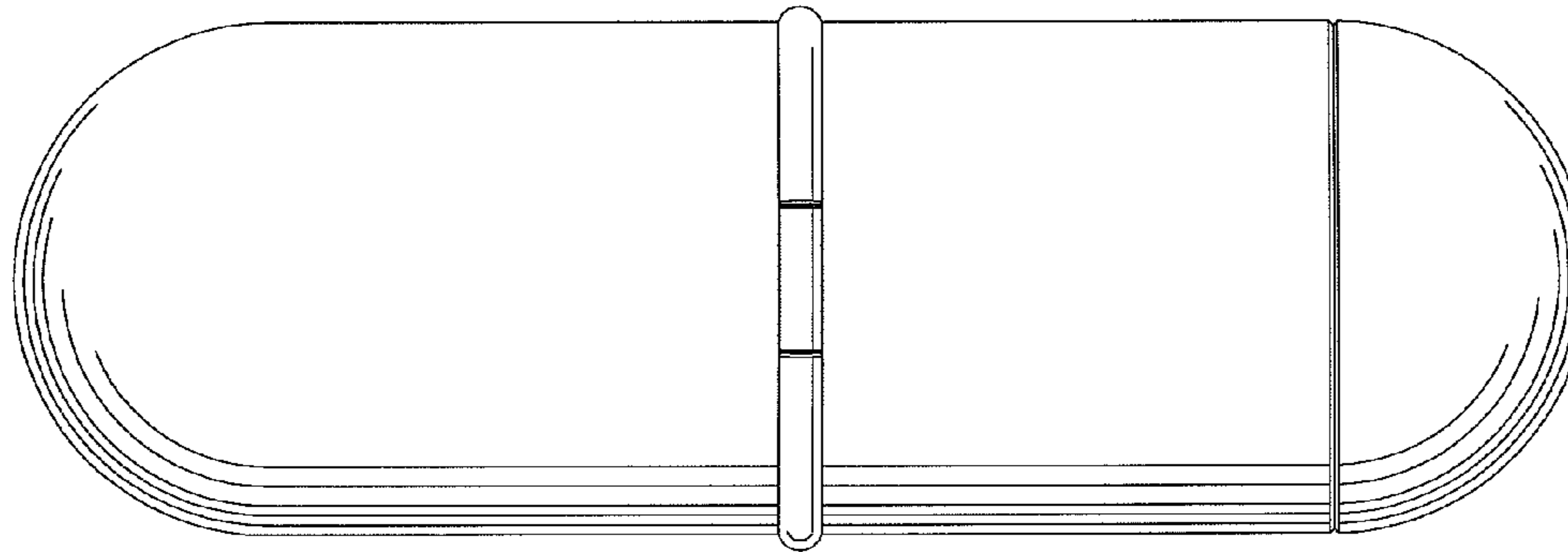


Fig.4

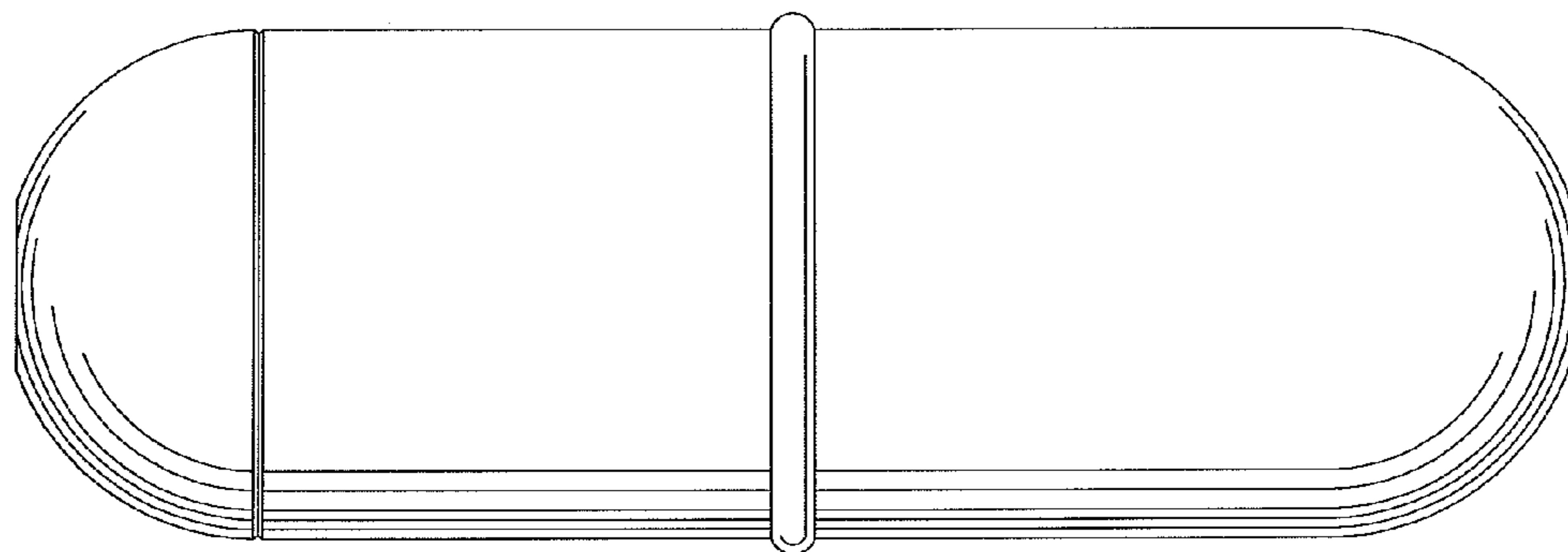


Fig.5

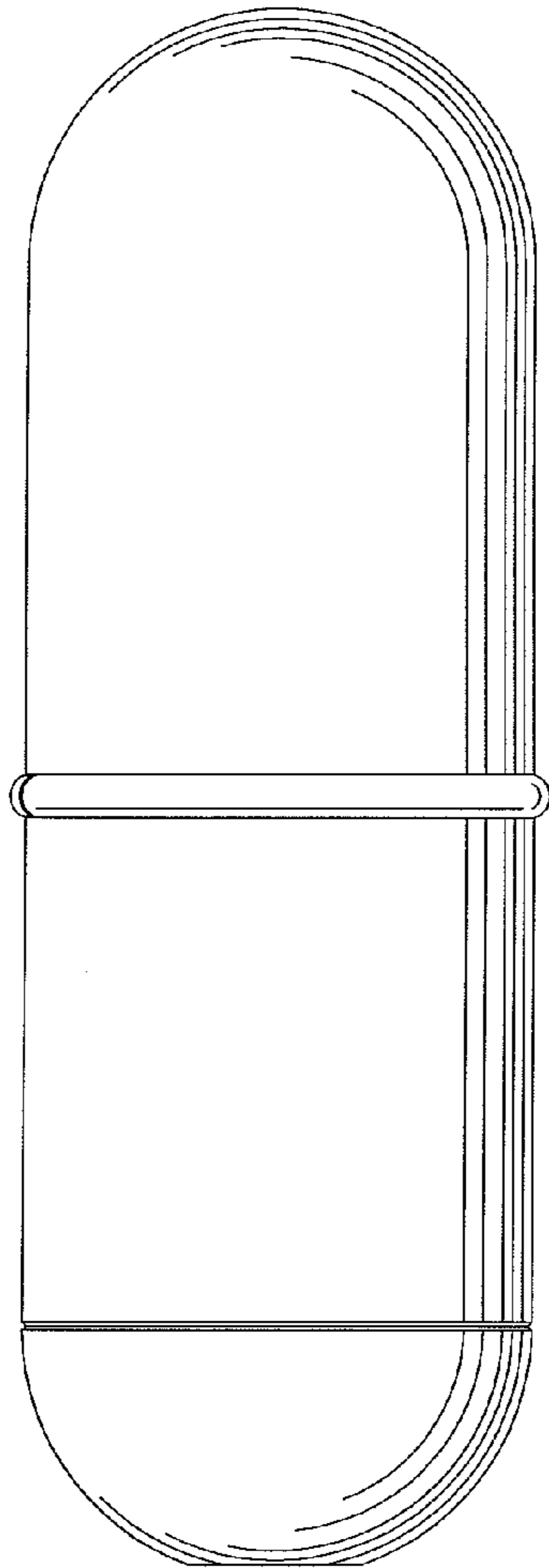


Fig.6

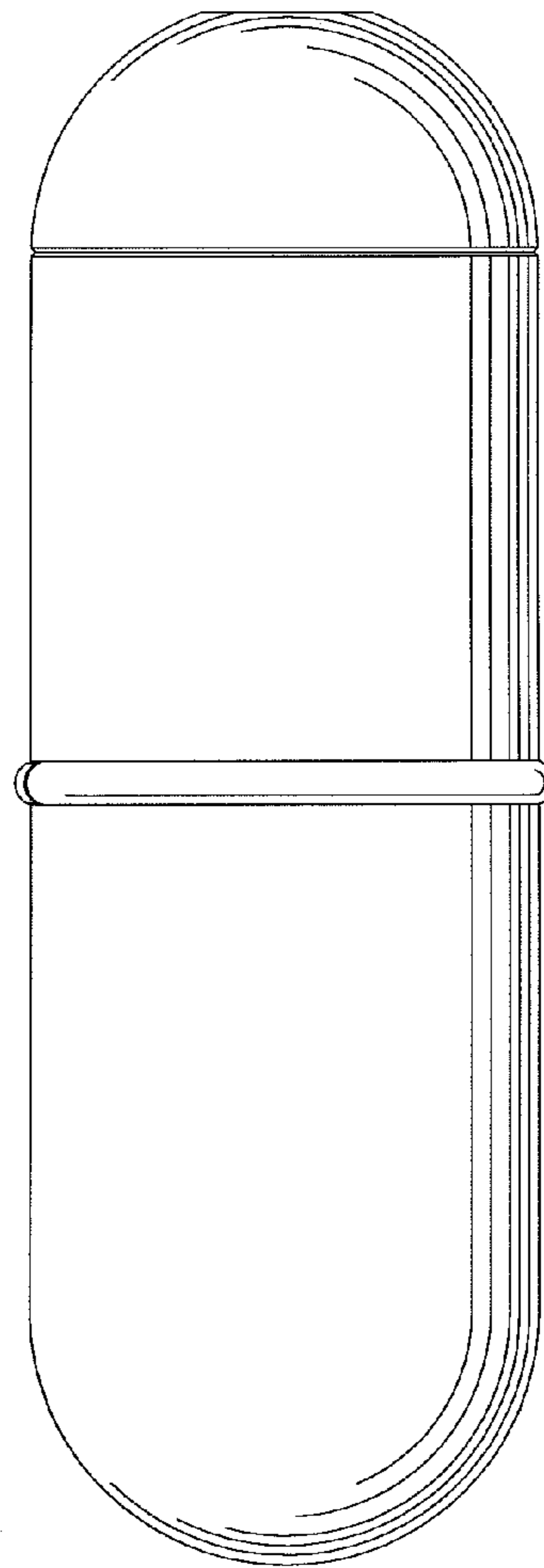


Fig.7

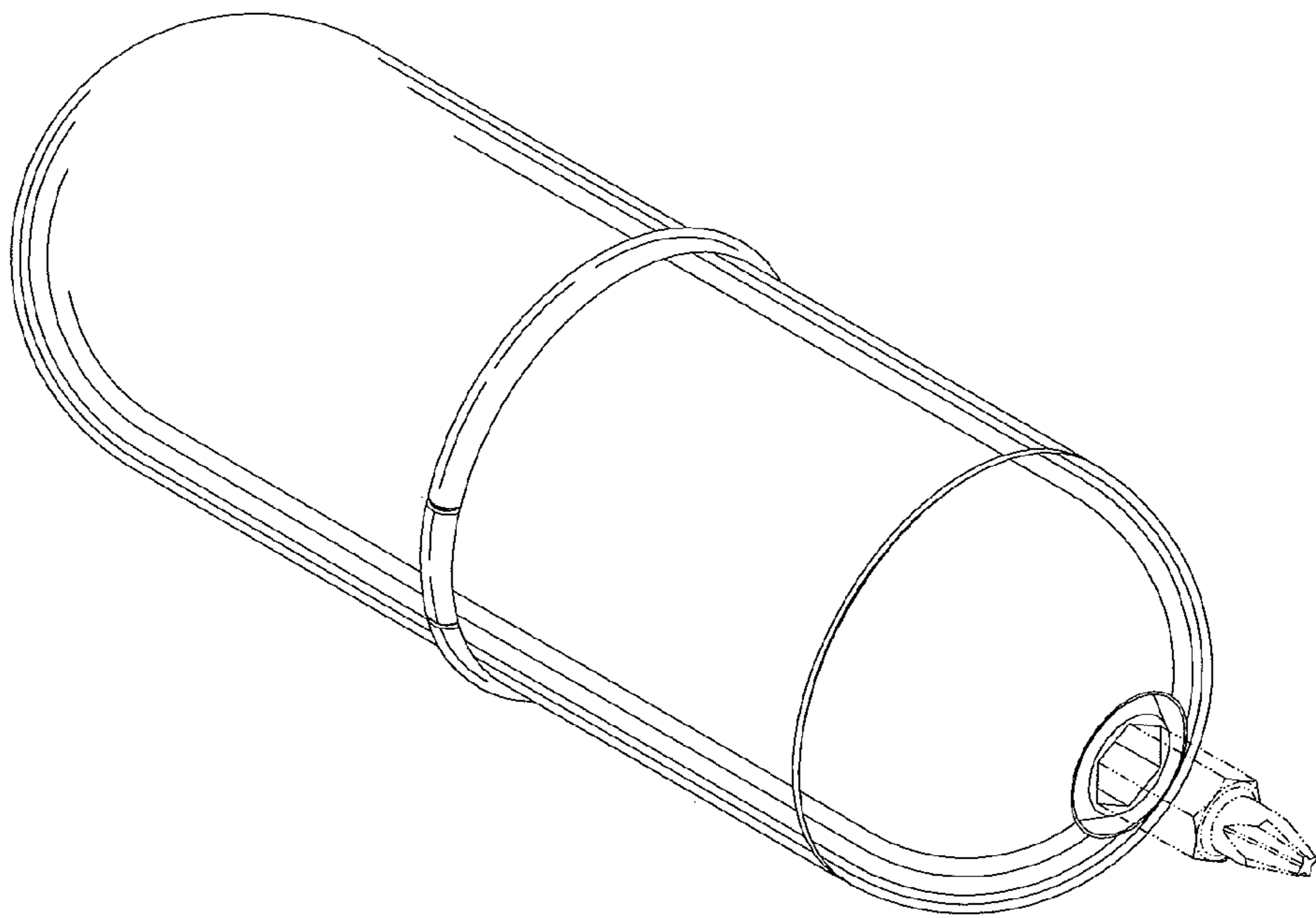


Fig.8