



US00D601396S

(12) **United States Design Patent**  
**Yamamoto**

(10) **Patent No.:** **US D601,396 S**  
(45) **Date of Patent:** **\*\* Oct. 6, 2009**

(54) **PORTABLE ELECTRIC ROUTER**  
(75) Inventor: **Yuji Yamamoto, Anjo (JP)**  
(73) Assignee: **Makita Corporation, Anjo (JP)**  
(\*\*) Term: **14 Years**

D510,246 S \* 10/2005 Waldron ..... D8/67  
D511,078 S \* 11/2005 Baumgaertner ..... D8/67  
D531,870 S \* 11/2006 Andriolo ..... D8/67  
D591,575 S \* 5/2009 Yamamoto ..... D8/67  
2003/0007843 A1 \* 1/2003 Cotton et al. .... 409/182  
2005/0201839 A1 \* 9/2005 Freese et al. .... 409/182

(21) Appl. No.: **29/331,863**  
(22) Filed: **Feb. 3, 2009**

**FOREIGN PATENT DOCUMENTS**

JP S-864667 3/1993

\* cited by examiner

(30) **Foreign Application Priority Data**  
Aug. 20, 2008 (JP) ..... 2008-021250

*Primary Examiner*—Cathron C Brooks

*Assistant Examiner*—Austin Murphy

(74) *Attorney, Agent, or Firm*—Oliff & Berridge, PLC

(51) **LOC (9) Cl.** ..... **08-01**  
(52) **U.S. Cl.** ..... **D8/67**  
(58) **Field of Classification Search** ..... D8/61,  
D8/67, 70, 107; 409/182, 180, 134, 132,  
409/131; 144/48.6, 252.1, 154.5, 136.95  
See application file for complete search history.

(57) **CLAIM**

The ornamental design for a portable electric router, as shown and described.

(56) **References Cited**

**DESCRIPTION**

FIG. 1 is a perspective view of top, front and right side of a portable electric router showing my new design;

FIG. 2 is a front view thereof;

FIG. 3 is a rear view thereof;

FIG. 4 is a top plan view thereof;

FIG. 5 is a bottom view thereof;

FIG. 6 is a left side view thereof; and,

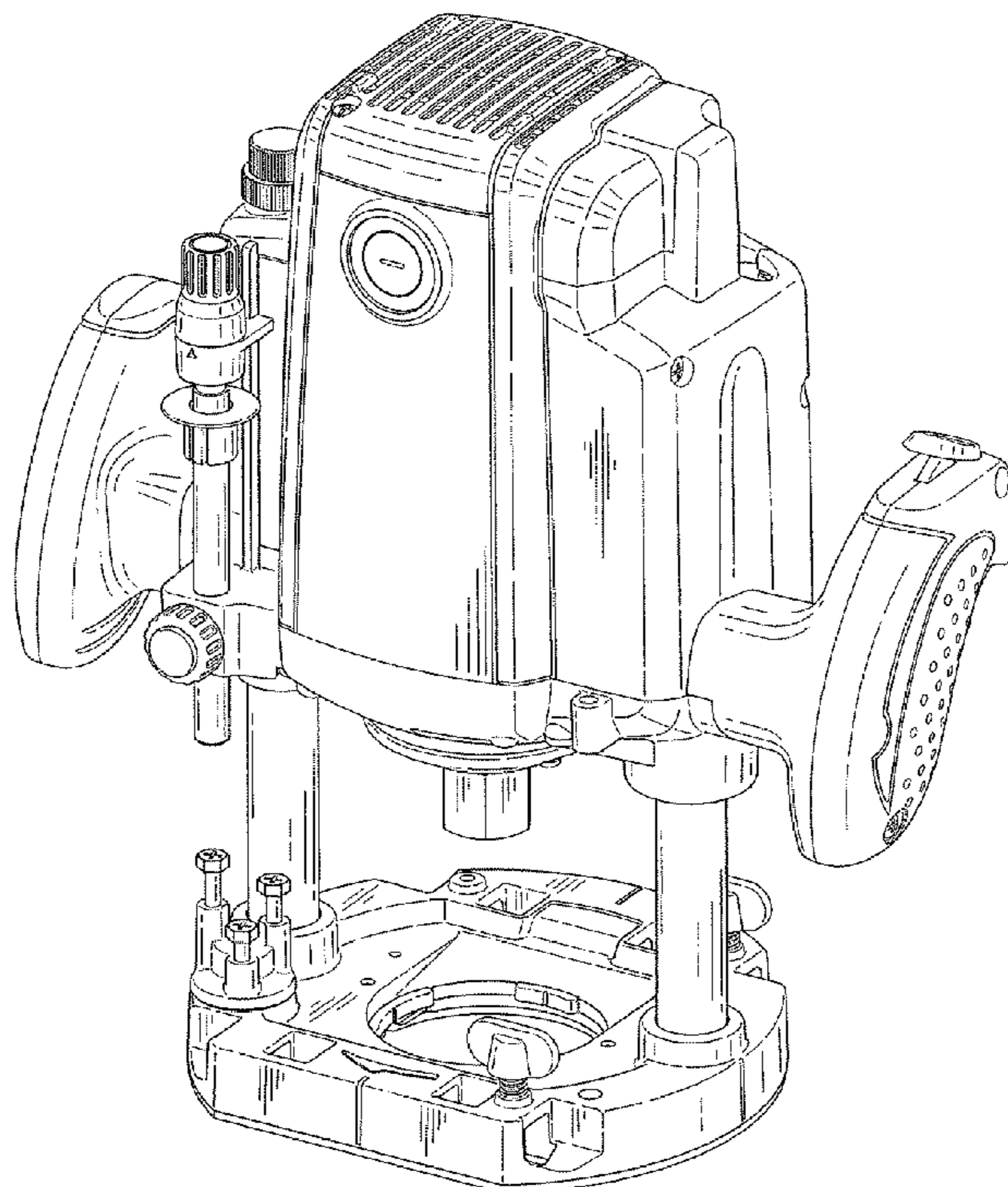
FIG. 7 is a right side view thereof.

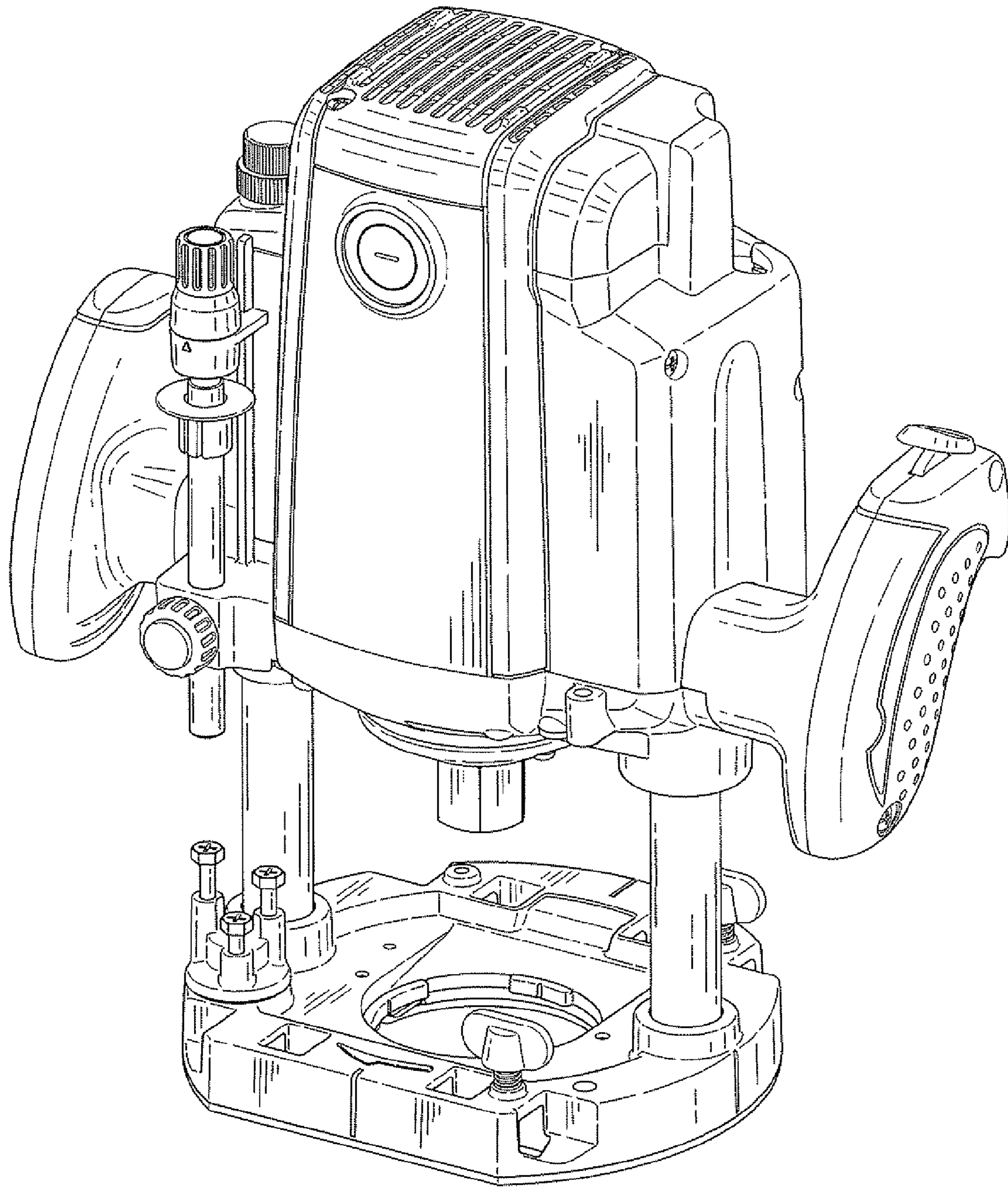
The portion of the article in broken lines are shown for illustrative purposes only and form no part of the claimed design.

**U.S. PATENT DOCUMENTS**

4,938,642 A \* 7/1990 Imahashi et al. .... 409/182  
5,191,921 A \* 3/1993 McCurry ..... 144/154.5  
D349,637 S \* 8/1994 Hoshino et al. .... D8/67  
5,353,852 A \* 10/1994 Stolzer et al. .... 144/154.5  
D416,460 S \* 11/1999 Bosten et al. .... D8/67  
6,113,323 A \* 9/2000 Bosten et al. .... 409/182  
6,182,723 B1 \* 2/2001 Bosten et al. .... 144/154.5  
6,244,797 B1 \* 6/2001 Wheeler ..... 409/182  
D444,364 S \* 7/2001 Evans ..... D8/67  
D470,377 S \* 2/2003 Lopano ..... D8/67  
6,896,451 B2 \* 5/2005 Oberheim ..... 409/131

**1 Claim, 7 Drawing Sheets**





*FIG. 1*

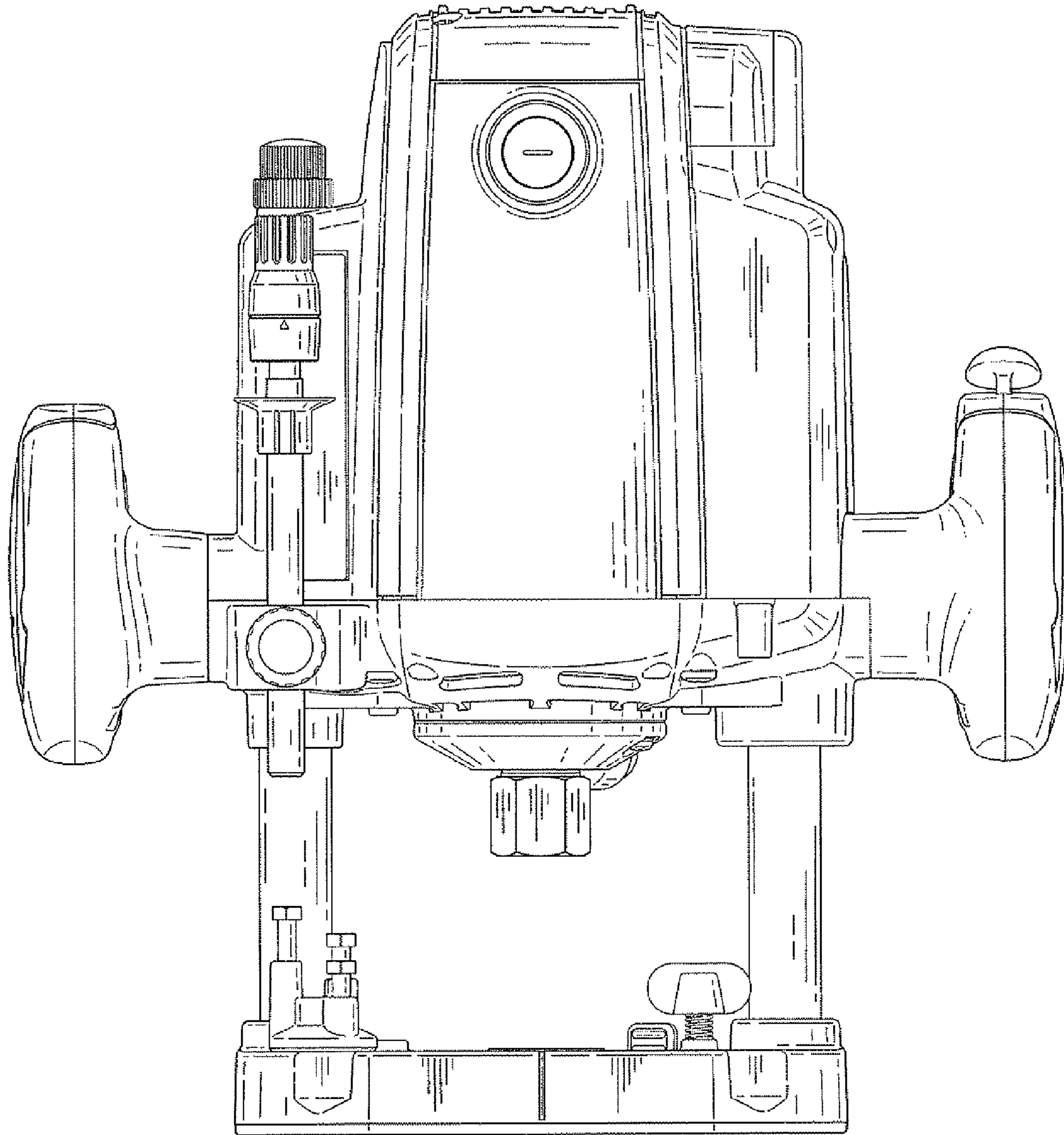


FIG. 2

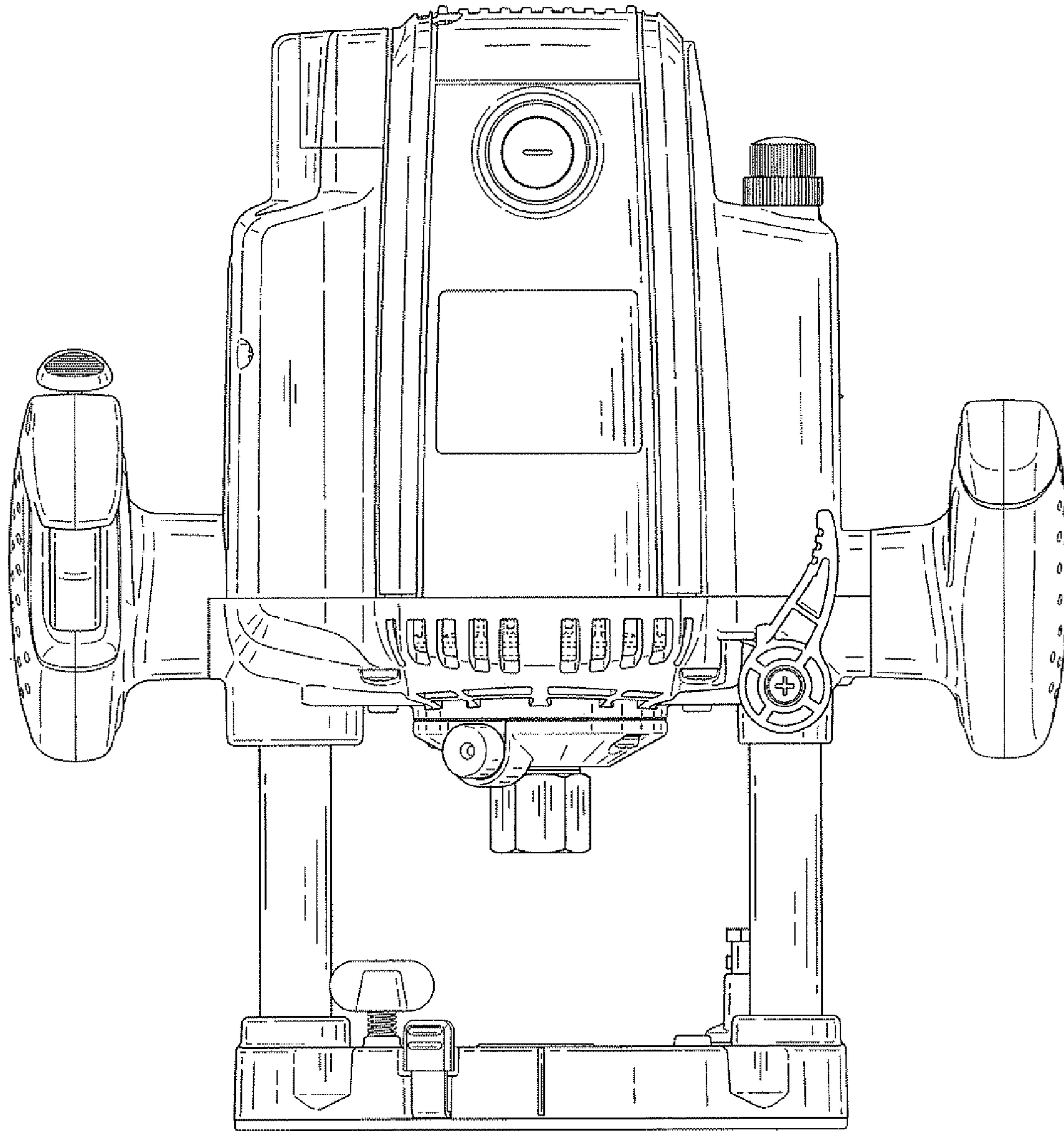


FIG. 3

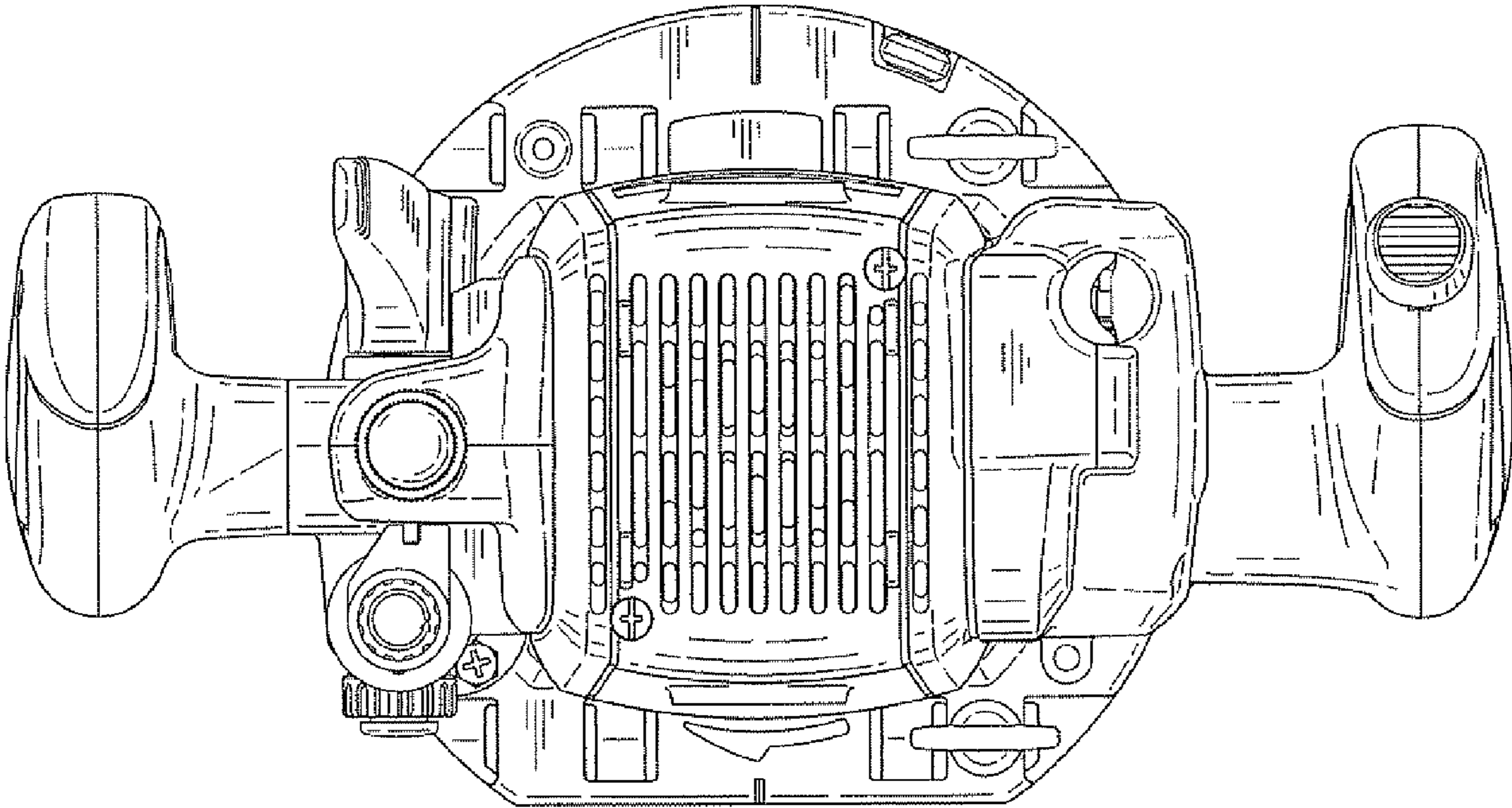


FIG. 4

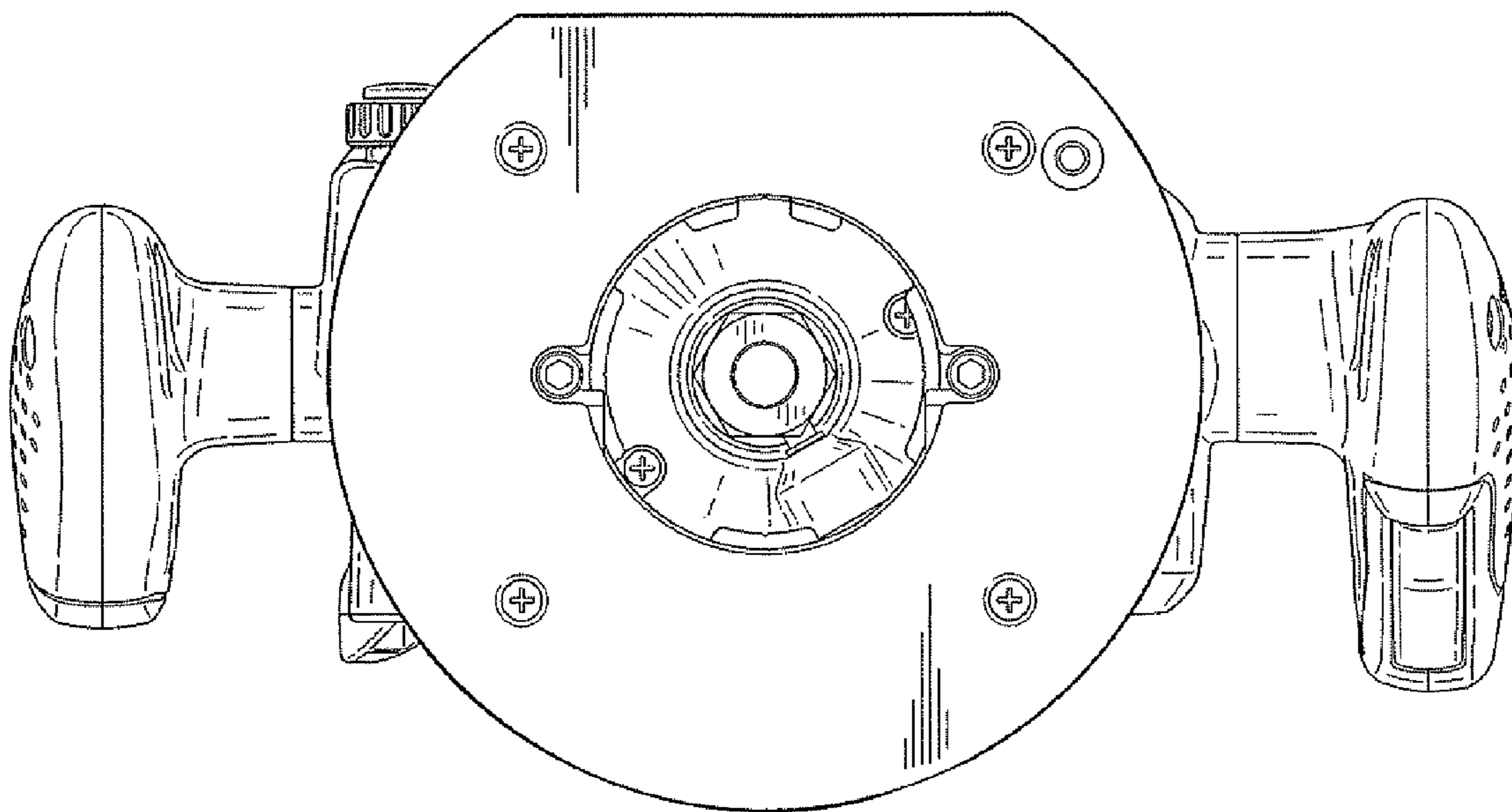
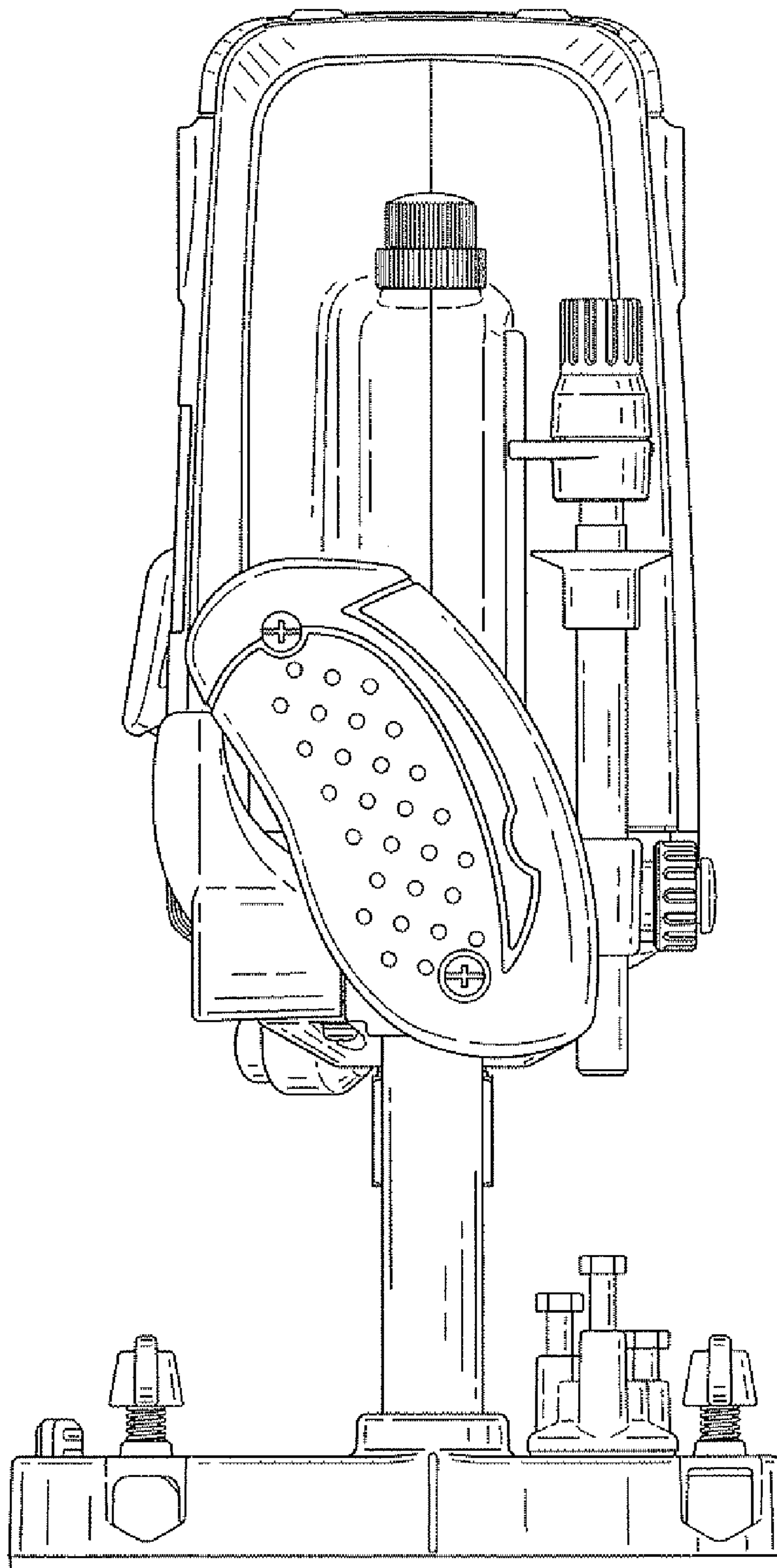
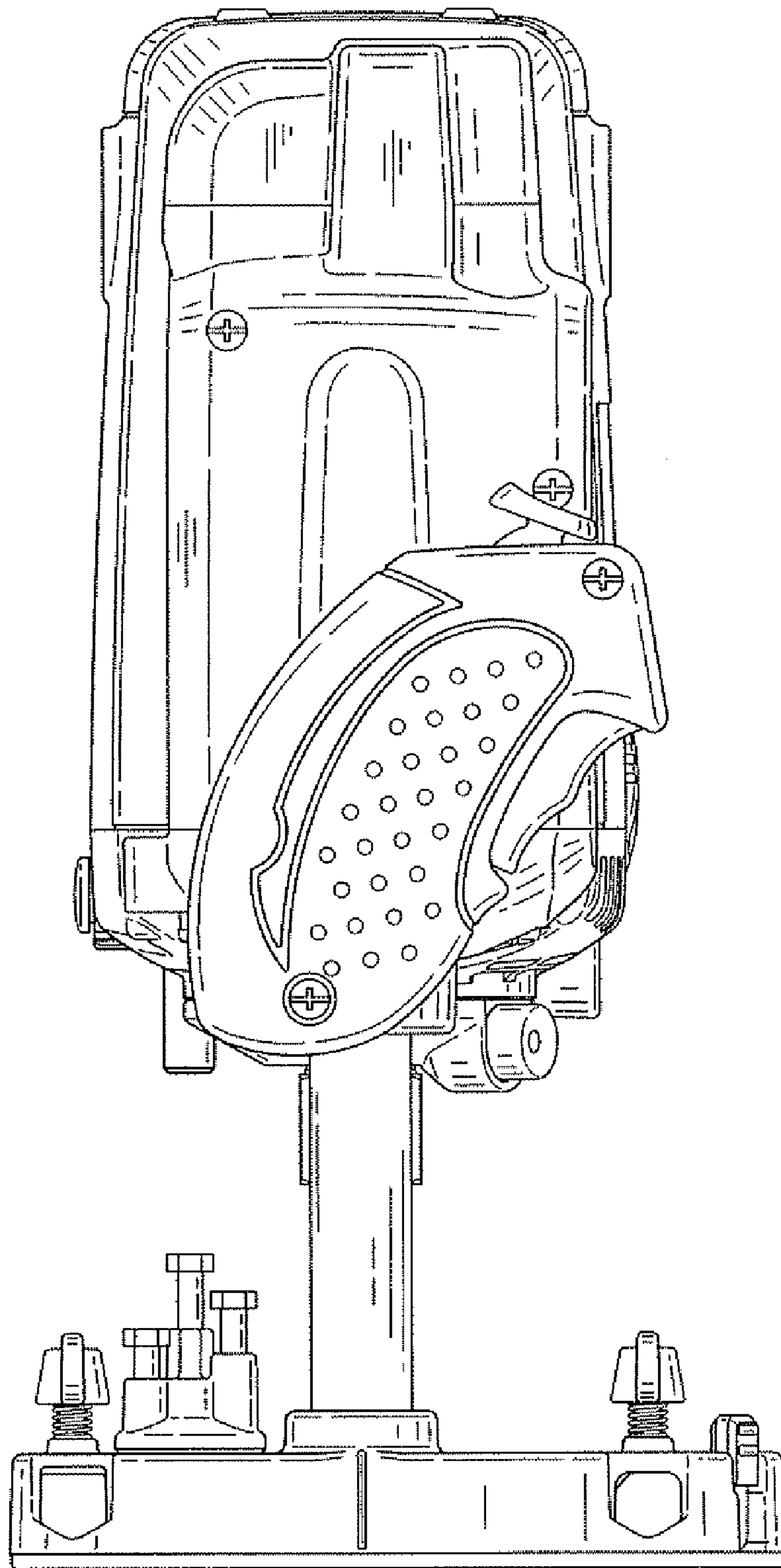


FIG. 5



**FIG. 6**



**FIG. 7**