



US00D601391S

(12) **United States Design Patent**
Chiang

(10) **Patent No.:** **US D601,391 S**

(45) **Date of Patent:** **** Oct. 6, 2009**

(54) **JUICER**

5,906,154 A * 5/1999 Yoon et al. 99/510
D526,539 S * 8/2006 Yip et al. D7/665
D555,434 S * 11/2007 Cohen et al. D7/665

(75) Inventor: **Tung-Han Chiang**, Taichung Hsien
(TW)

* cited by examiner

(73) Assignee: **Crocean Industry Co., Ltd.**, Taichung
Hsien (TW)

Primary Examiner—Terry A Wallace
(74) *Attorney, Agent, or Firm*—Rabin & Berdo, P.C.

(**) Term: **14 Years**

(57) **CLAIM**

(21) Appl. No.: **29/330,089**

The ornamental design for a juicer, as shown and described.

(22) Filed: **Dec. 29, 2008**

DESCRIPTION

(51) **LOC (9) Cl.** **31-00**

FIG. 1 is a perspective view of a juicer, showing my new design;

(52) **U.S. Cl.** **D7/665**

FIG. 2 is a front view thereof;

(58) **Field of Classification Search** D7/665–668,
D7/373, 374, 381, 384; 99/501–513, 499,
99/357, 495, 348; 241/36, 37.5, 92, 261,
241/260.1, 282.1

FIG. 3 is a rear view thereof;

FIG. 4 is a left side view thereof;

See application file for complete search history.

FIG. 5 is a right side view thereof;

(56) **References Cited**

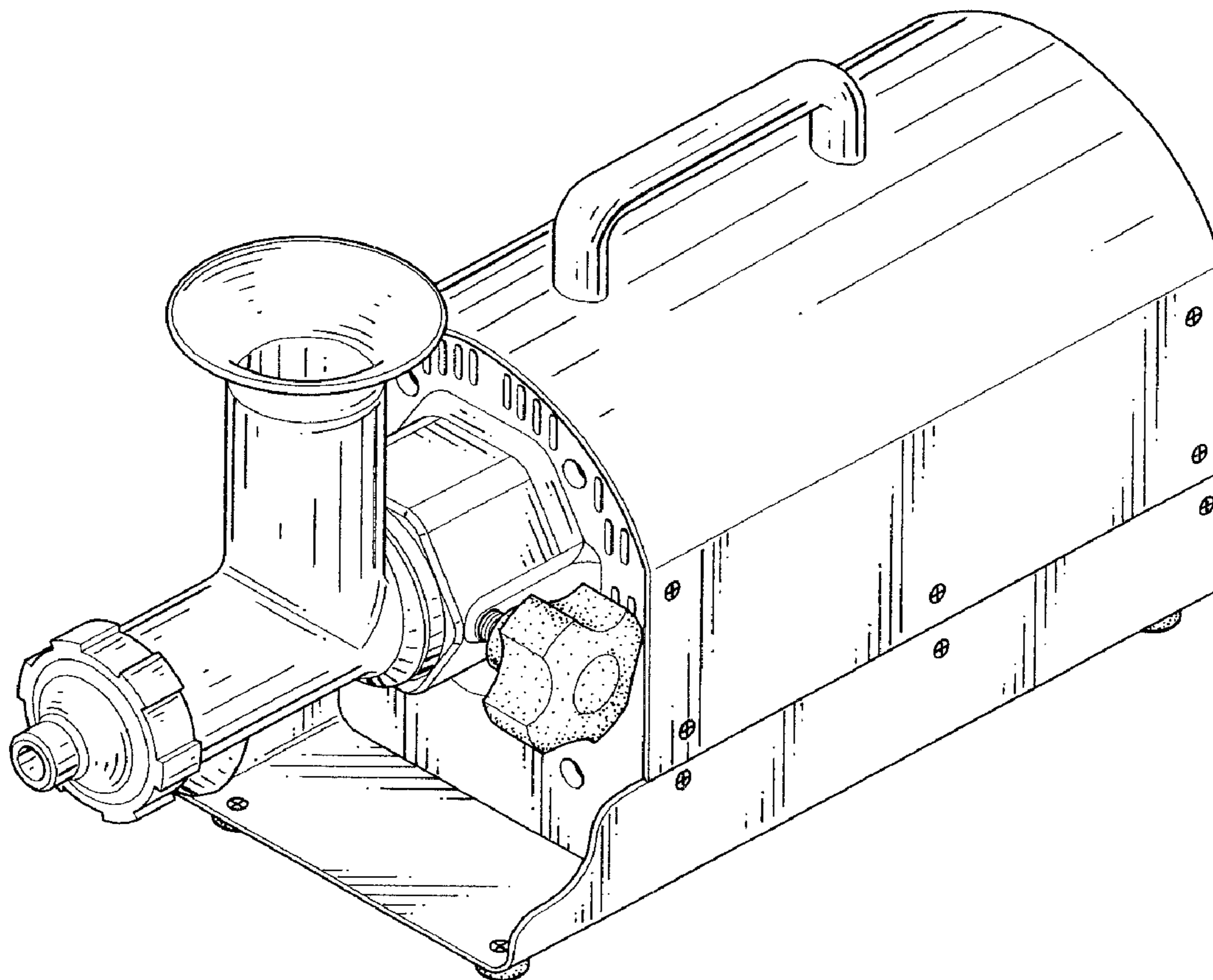
FIG. 6 is a top view thereof, wherein the broken lines are shown for illustrative purposes only and form no part of the claimed design; and,

U.S. PATENT DOCUMENTS

2,767,644 A * 10/1956 Bireley 100/97
D236,283 S * 8/1975 McCue D7/372
5,381,730 A * 1/1995 Kim 99/510
D362,597 S * 9/1995 Kim D7/665
D376,736 S * 12/1996 Kim D7/665

FIG. 7 is a bottom view thereof, wherein the broken lines are shown for illustrative purposes only and form no part of the claimed design.

1 Claim, 6 Drawing Sheets



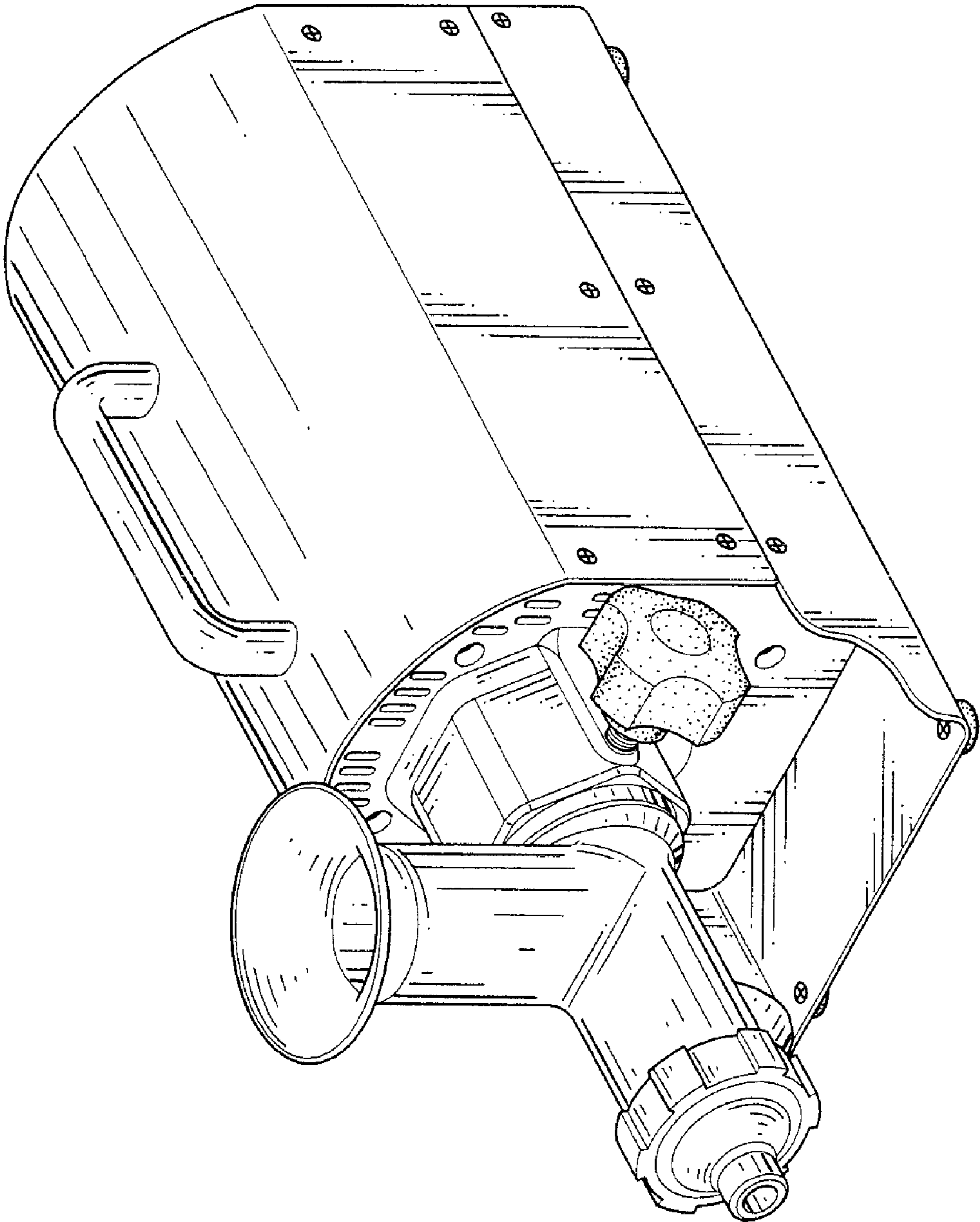


FIG.1

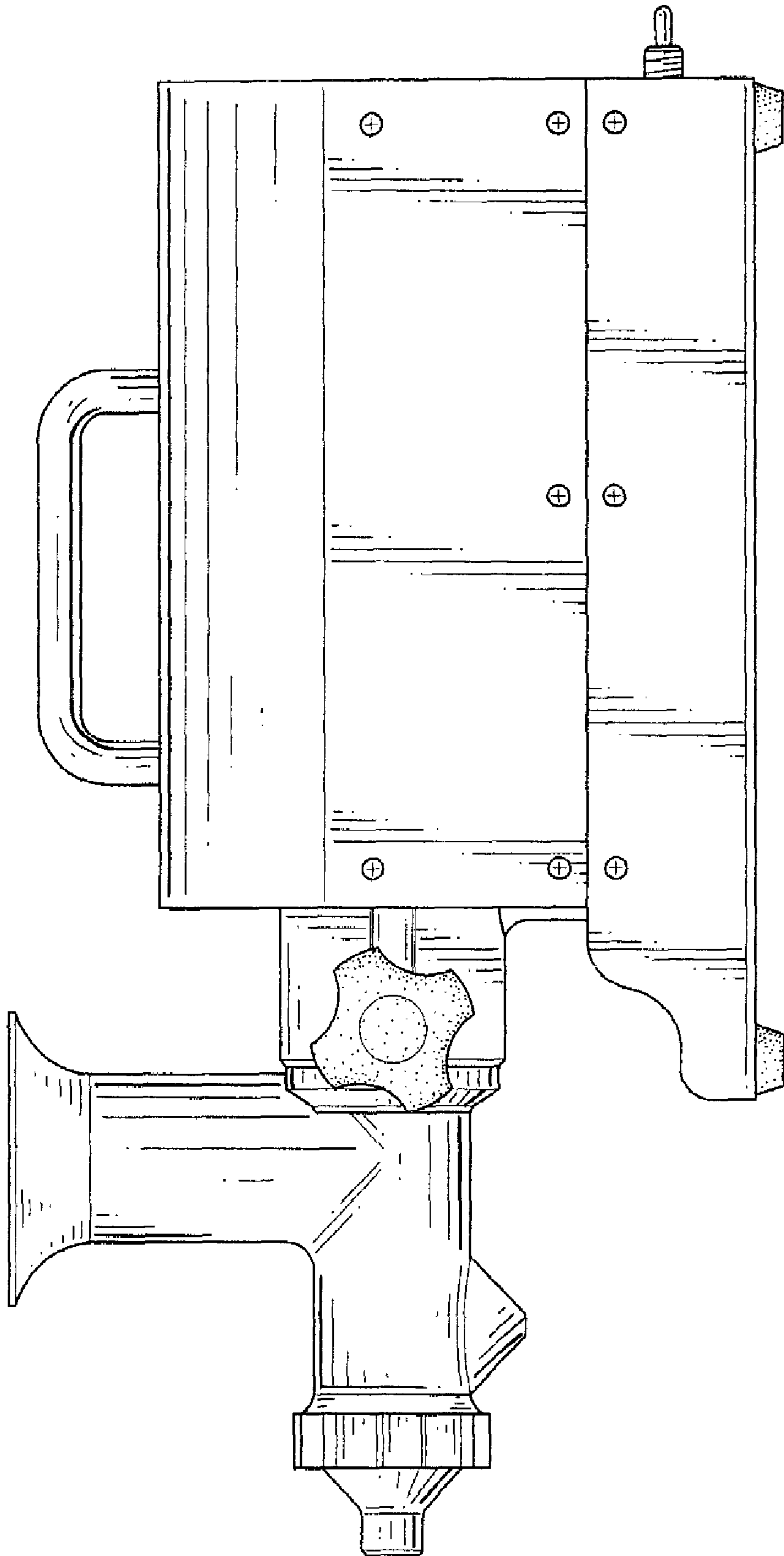


FIG.2

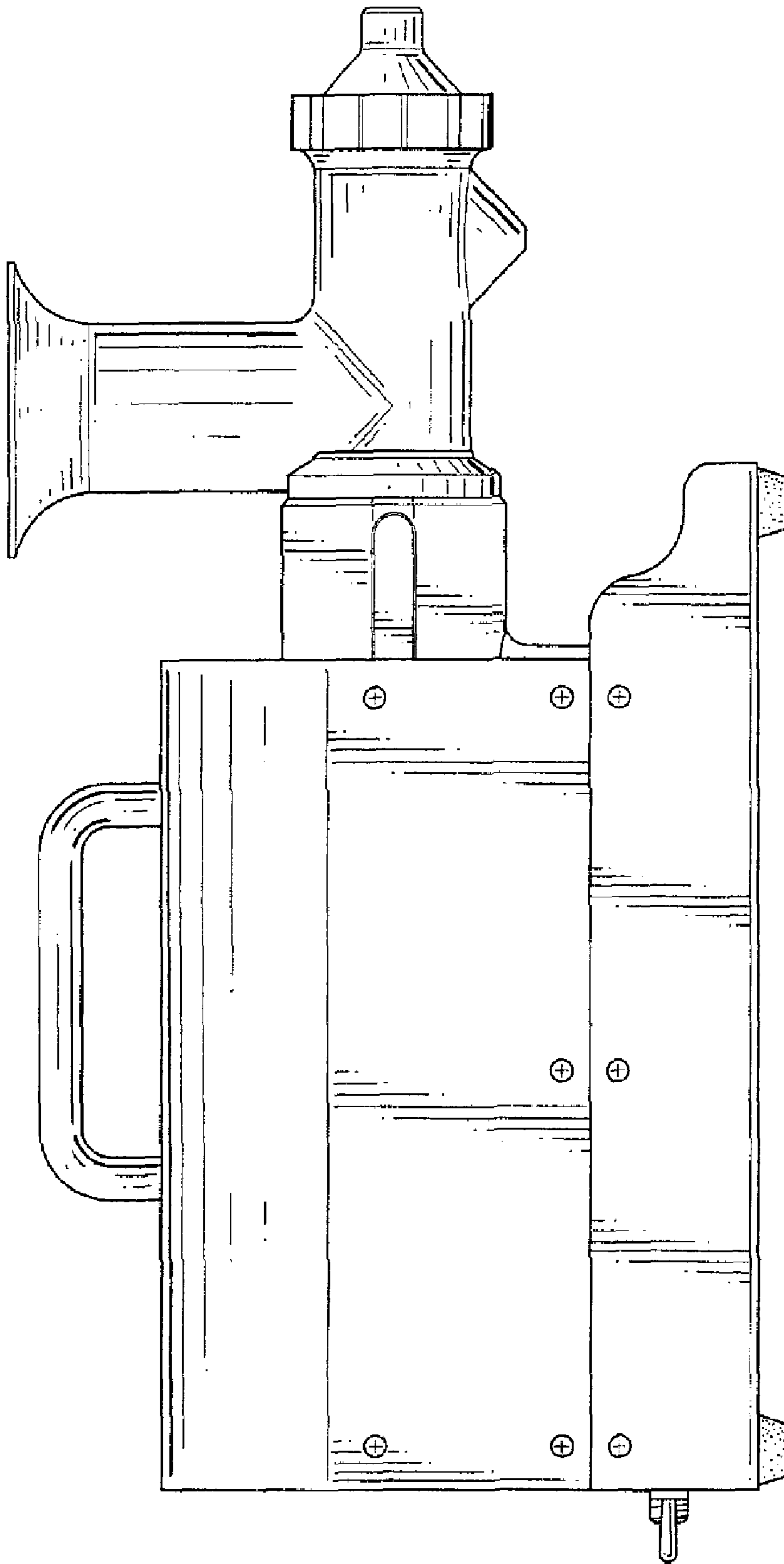


FIG.3

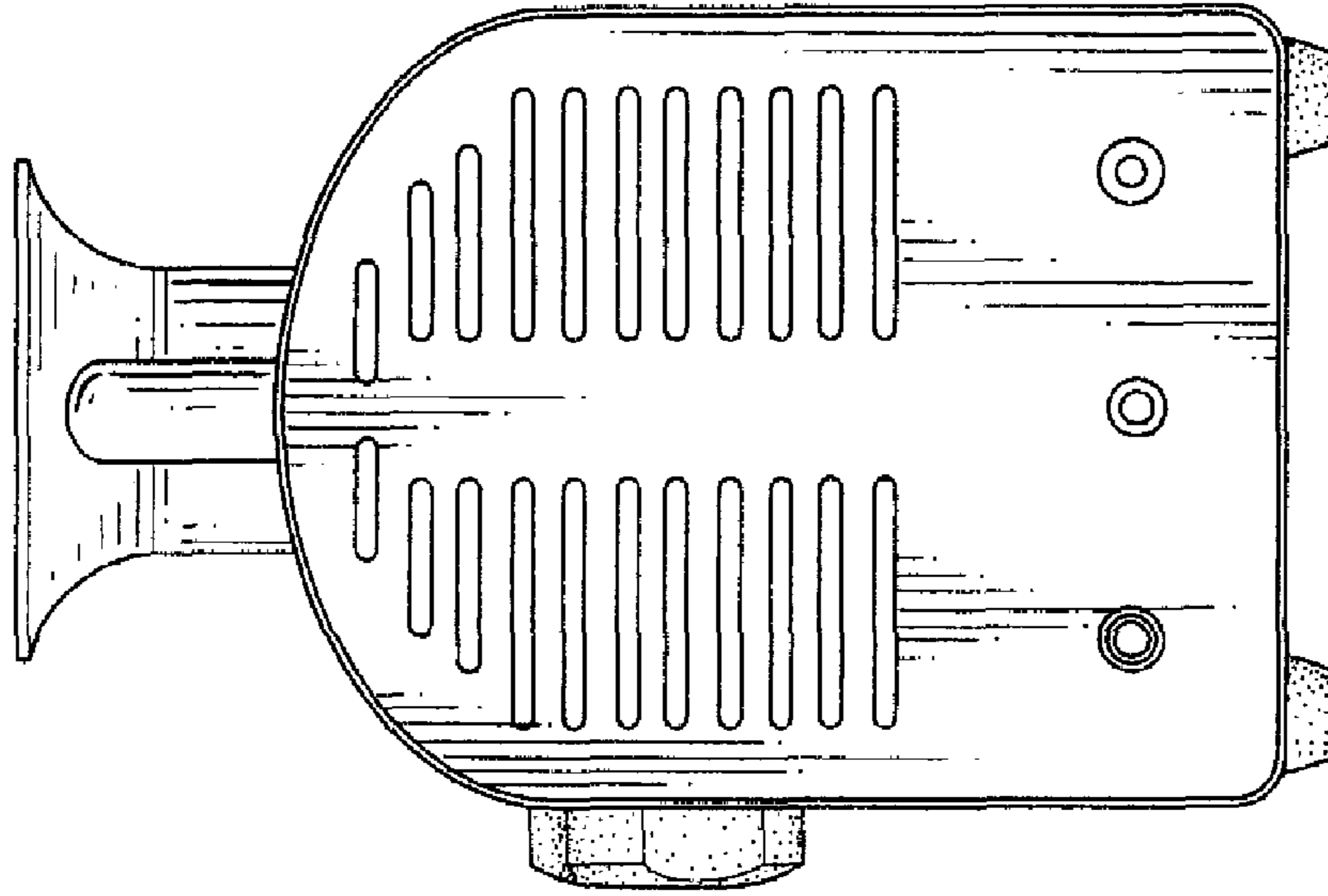


FIG.5

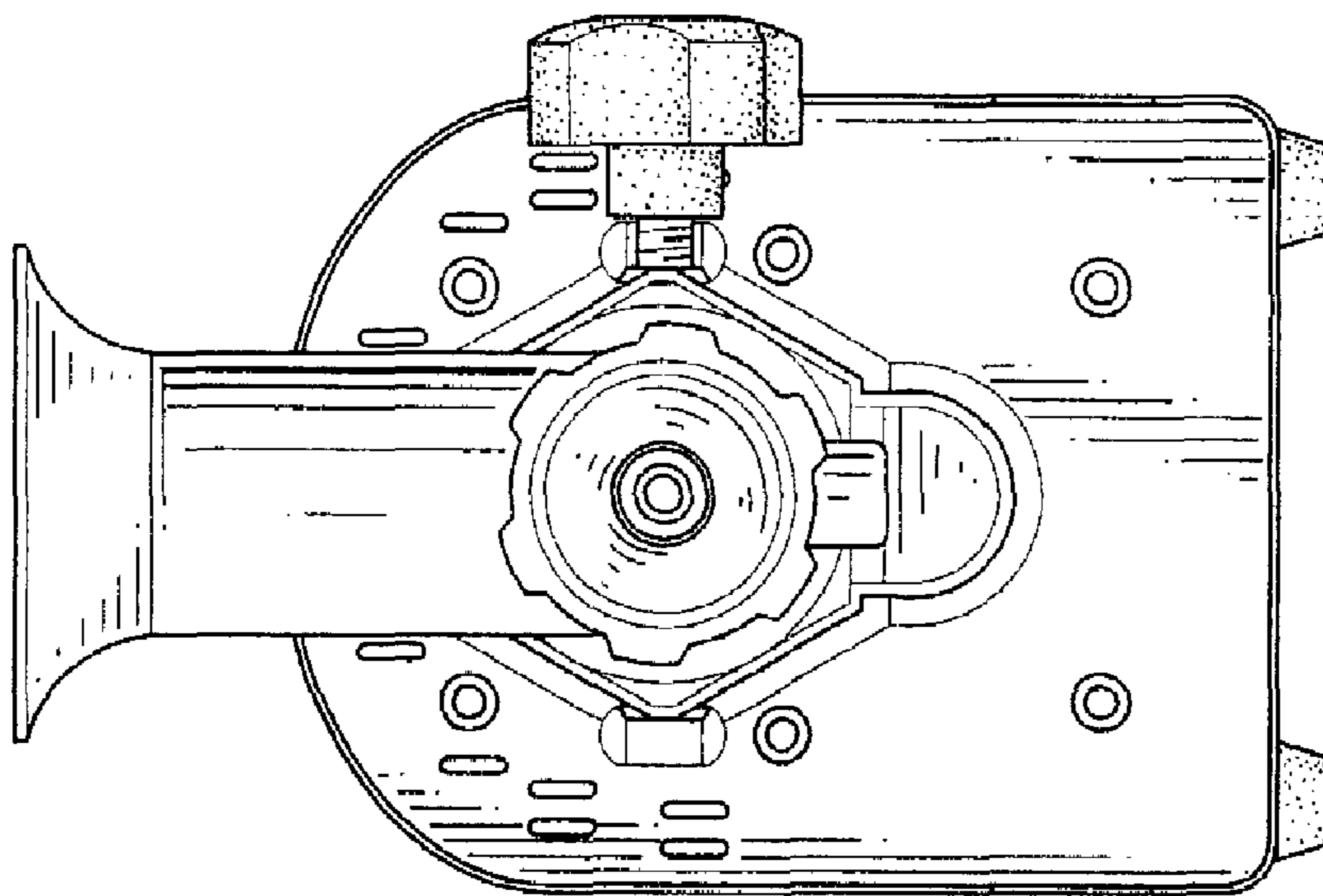


FIG.4

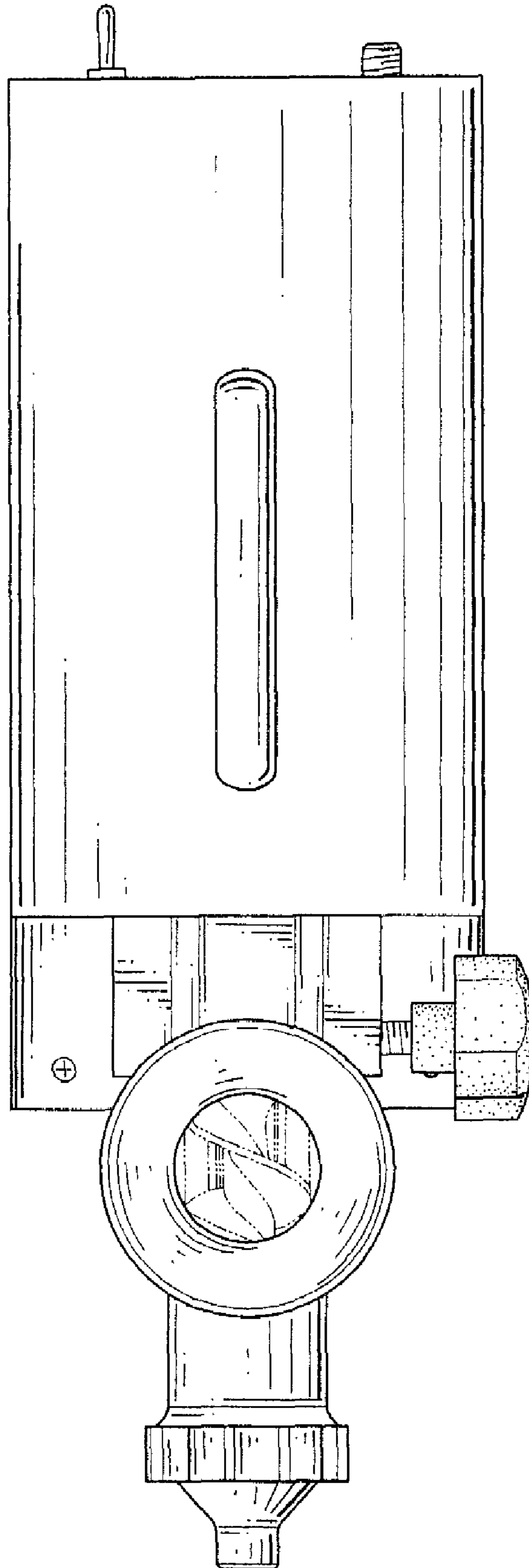


FIG.6

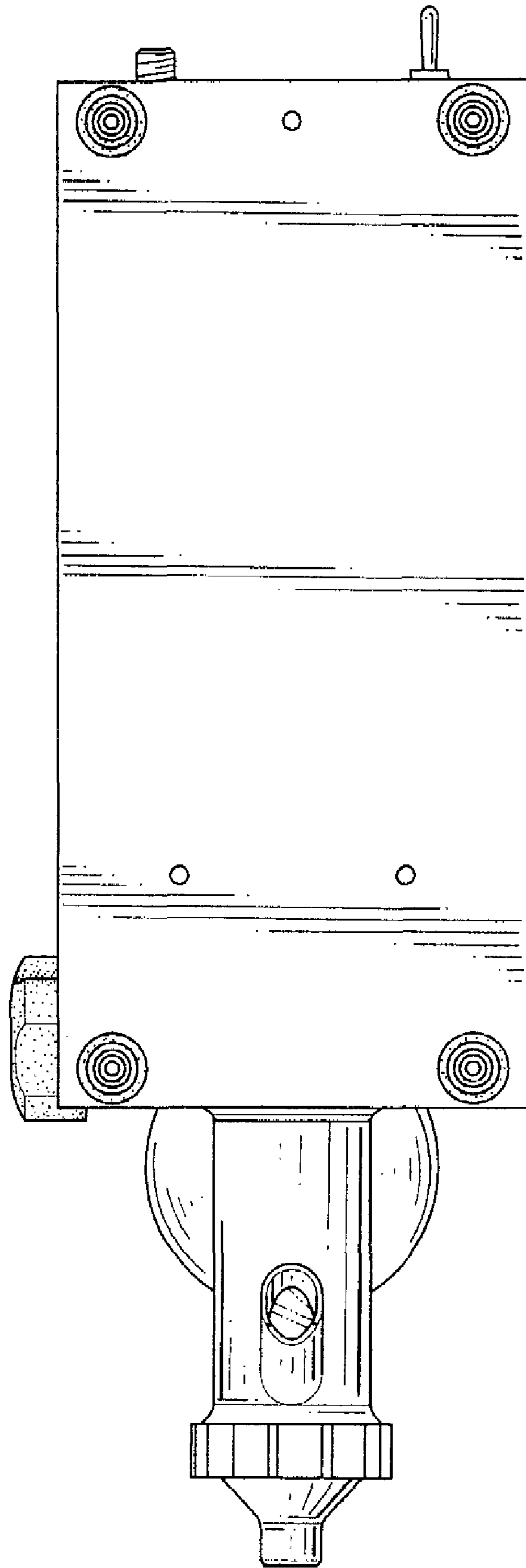


FIG. 7