



US00D601390S

(12) **United States Design Patent**
Kiraly

(10) **Patent No.:** **US D601,390 S**

(45) **Date of Patent:** **** Oct. 6, 2009**

(54) **PIZZA SERVING UTENSIL**

2003/0034662 A1* 2/2003 Wilson 294/7

(76) Inventor: **Gyorgy Kiraly**, 4354 Oakwood Ave.,
No. 5, Los Angeles, CA (US) 90004

* cited by examiner

Primary Examiner—Terry A Wallace

(74) *Attorney, Agent, or Firm*—Thomas I. Rozsa

(**) Term: **14 Years**

(21) Appl. No.: **29/313,057**

(57) **CLAIM**

(22) Filed: **Dec. 3, 2008**

The ornamental design for an pizza serving utensil, as shown and described.

(51) **LOC (9) Cl.** **07-03**

DESCRIPTION

(52) **U.S. Cl.** **D7/648**; D7/688; D7/649;
D7/642

FIG. 1 is a top perspective view of a pizza serving utensil showing my new design;

(58) **Field of Classification Search** D7/680–696,
D7/669, 368, 642, 648, 649; 30/114, 136,
30/302, 316; 294/7, 8, 1.1

FIG. 2 is a right side view;

FIG. 3 is a left side view;

See application file for complete search history.

FIG. 4 is a top view;

FIG. 5 is a bottom view;

(56) **References Cited**

U.S. PATENT DOCUMENTS

2,232,204 A * 2/1941 Besocke et al. 294/1.1

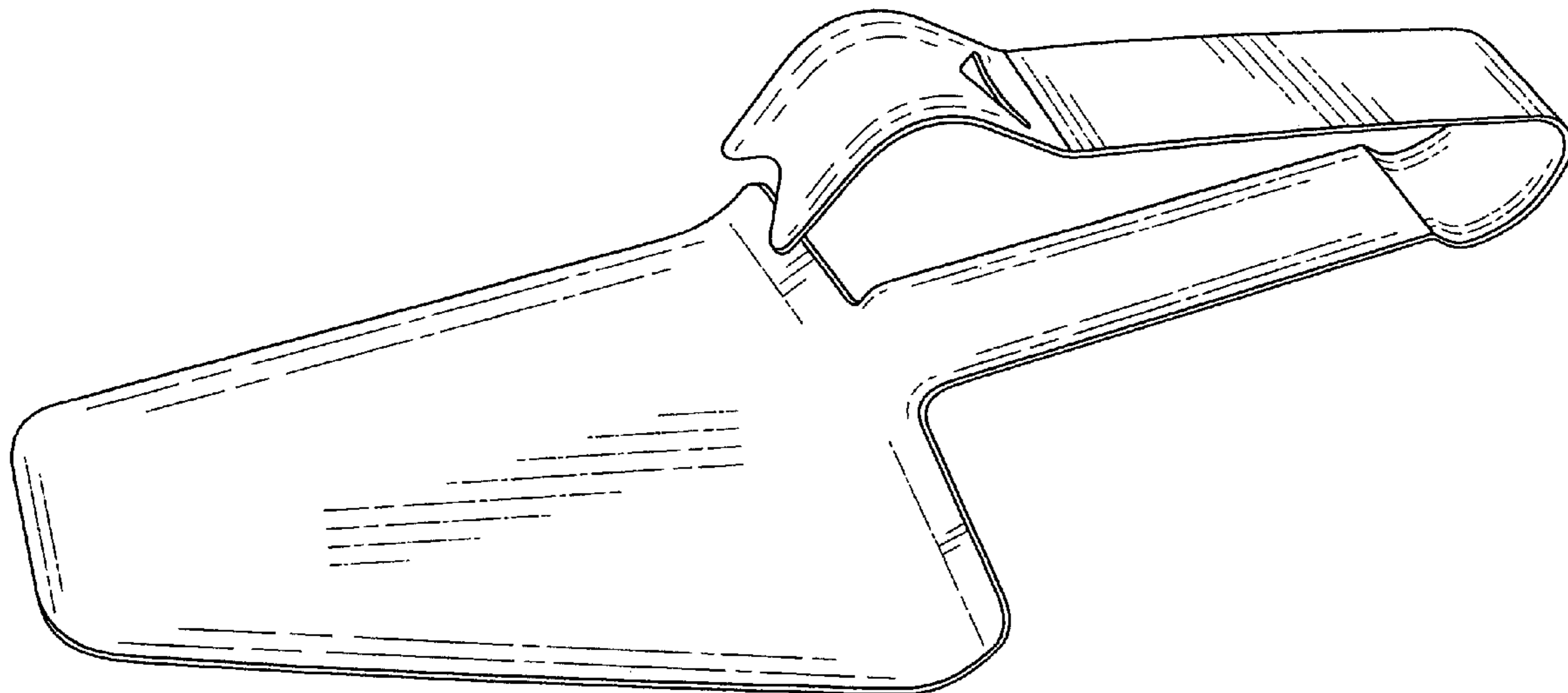
5,165,171 A * 11/1992 MacLean 30/114

D434,617 S * 12/2000 Kontou et al. D7/688

FIG. 6 is a front view; and,

FIG. 7 is a rear view.

1 Claim, 7 Drawing Sheets



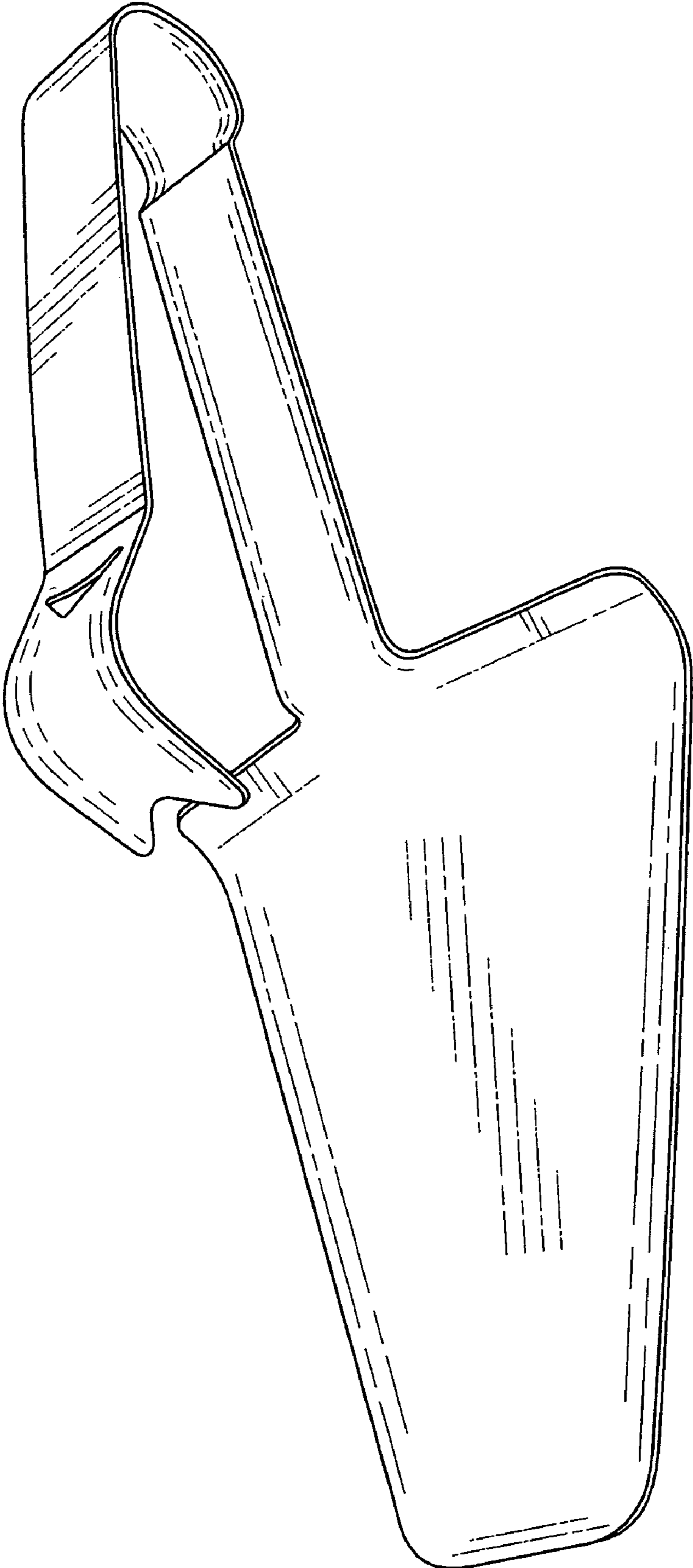


FIG. 1

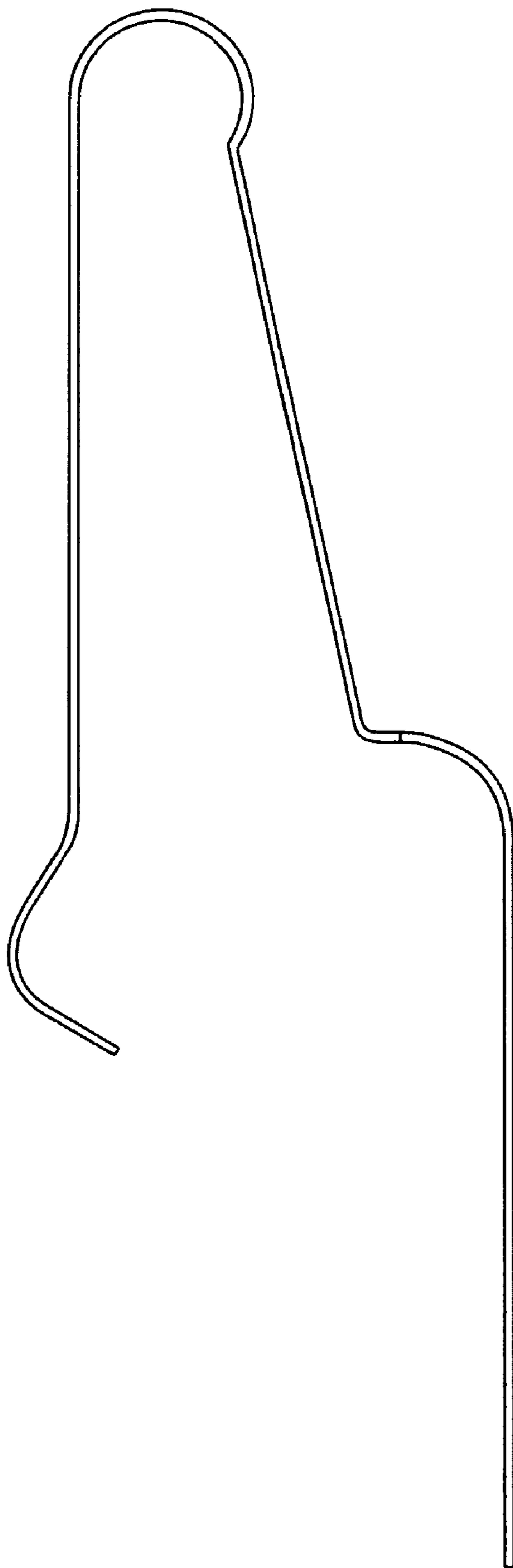


FIG. 2

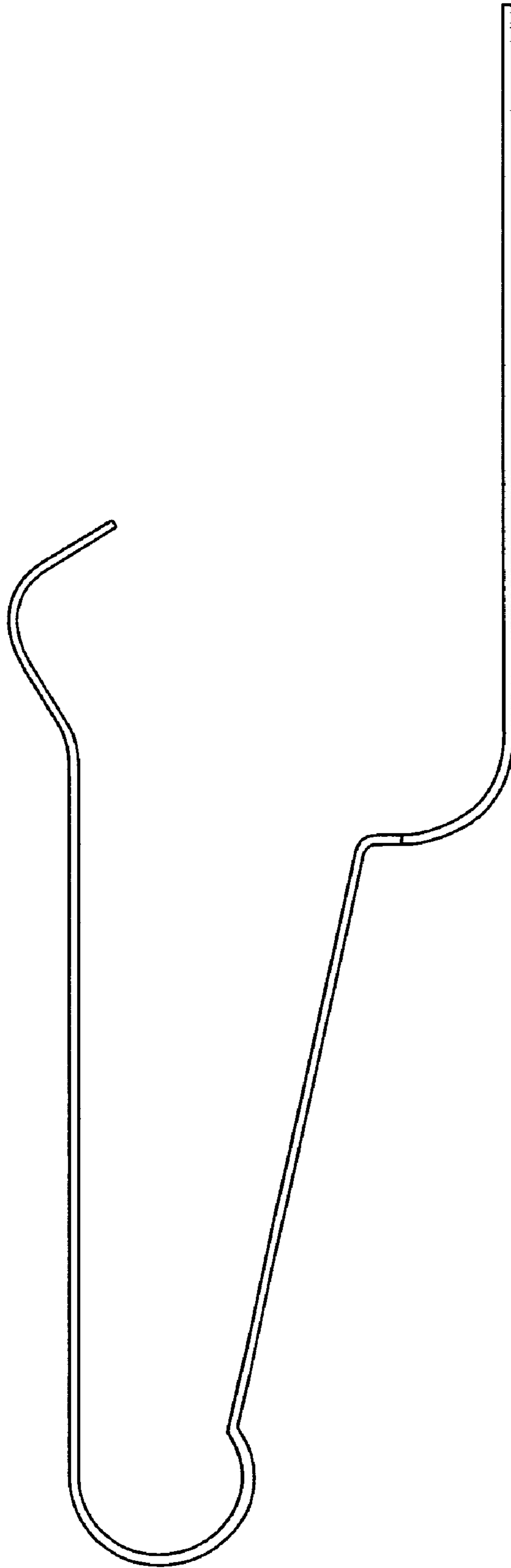


FIG. 3

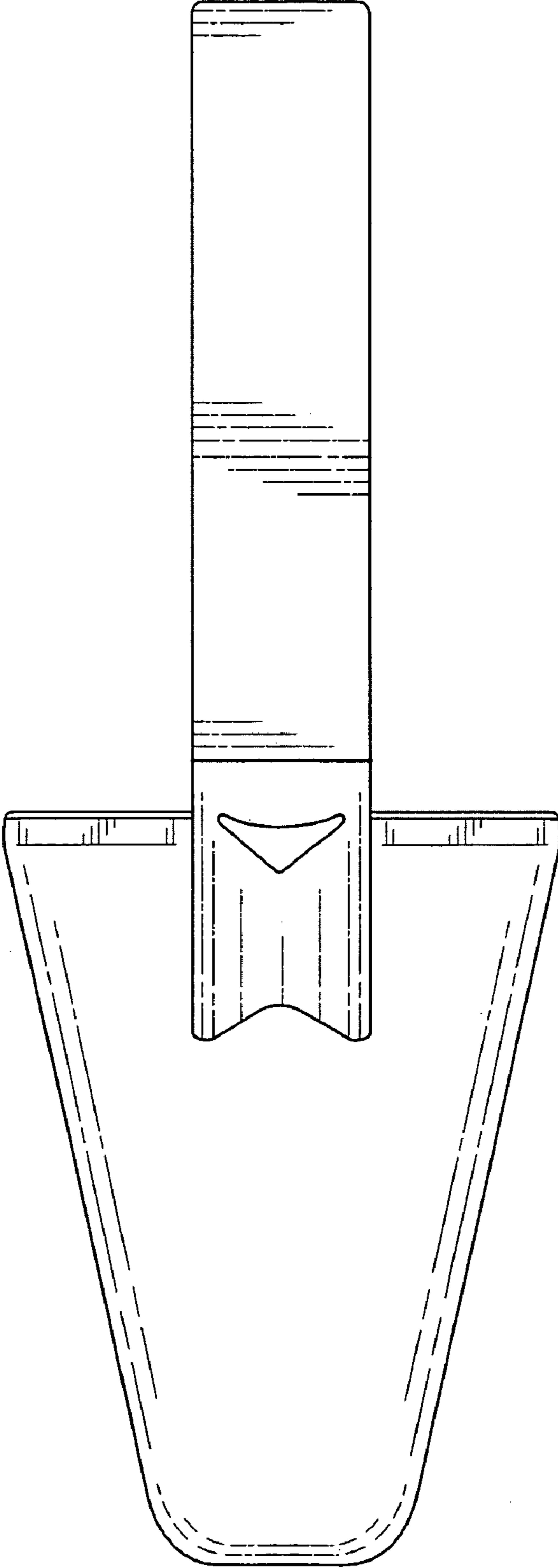


FIG. 4

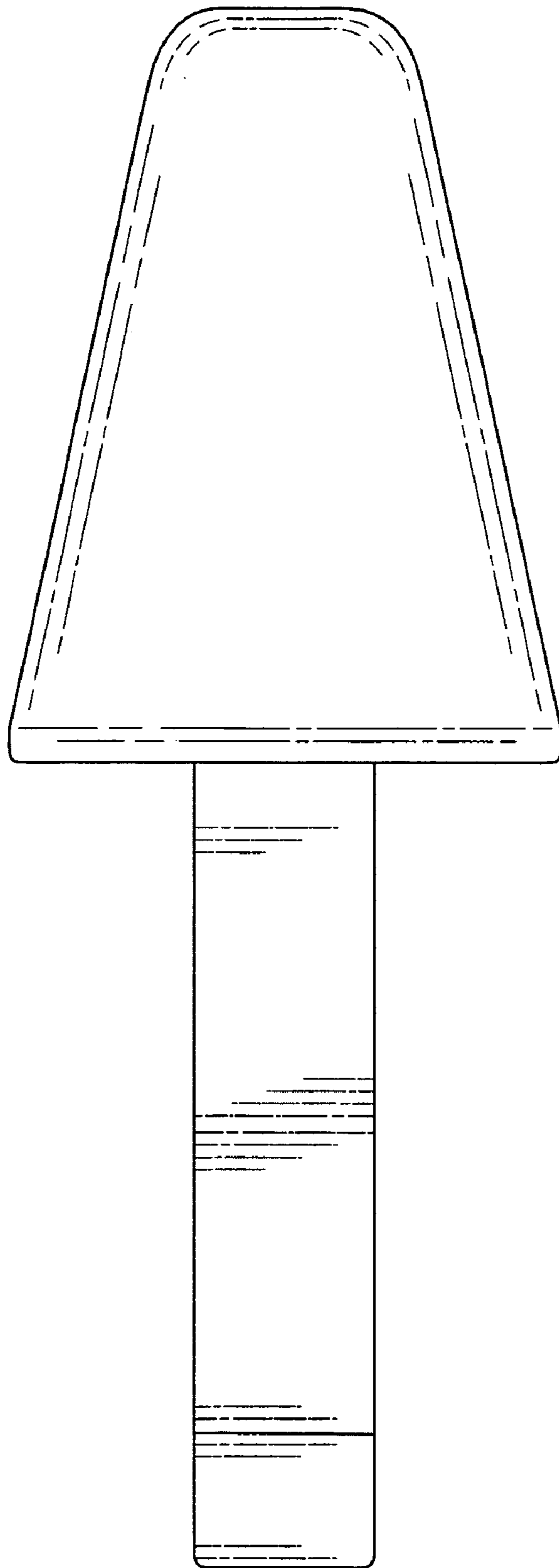


FIG. 5

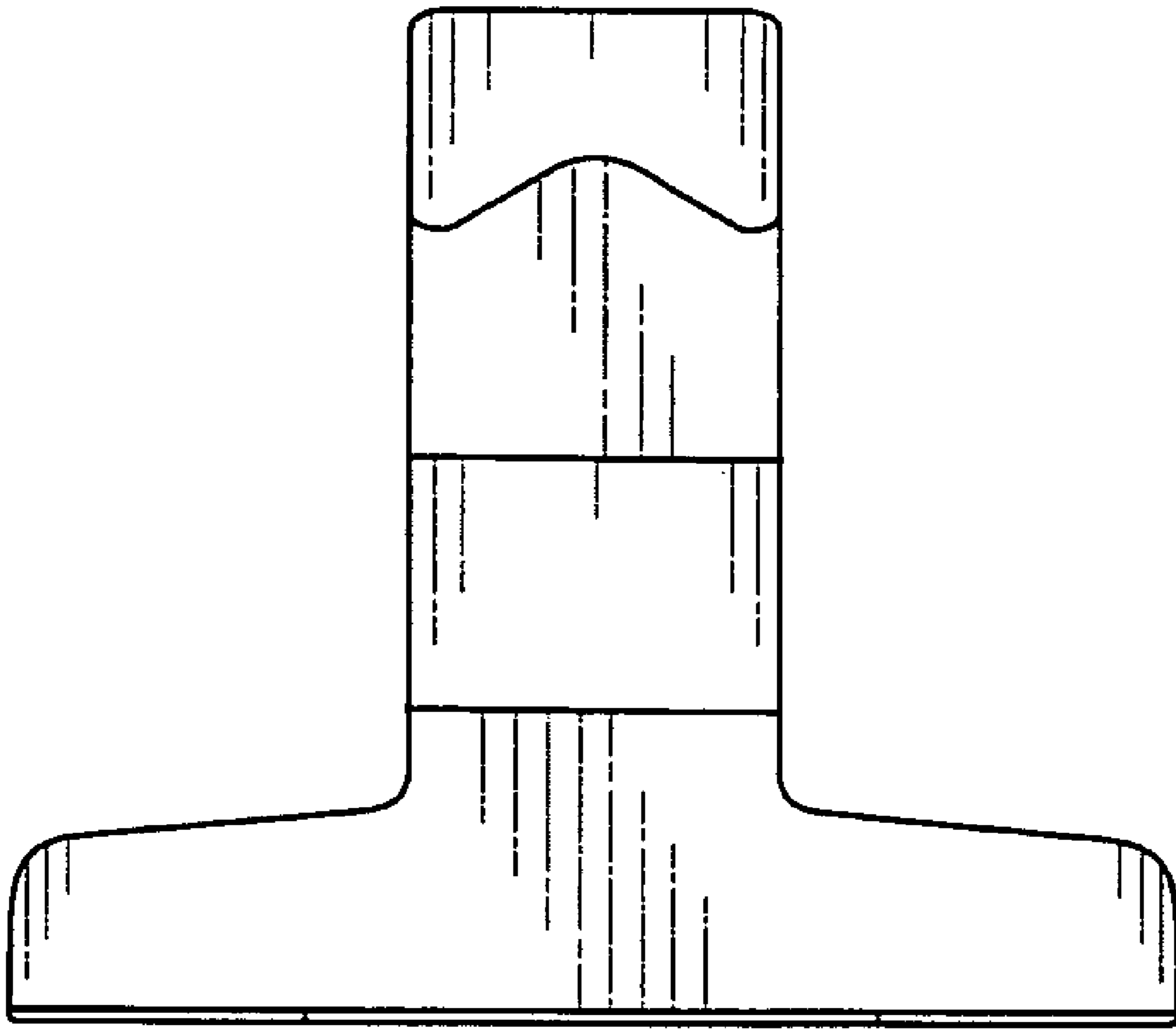


FIG. 6

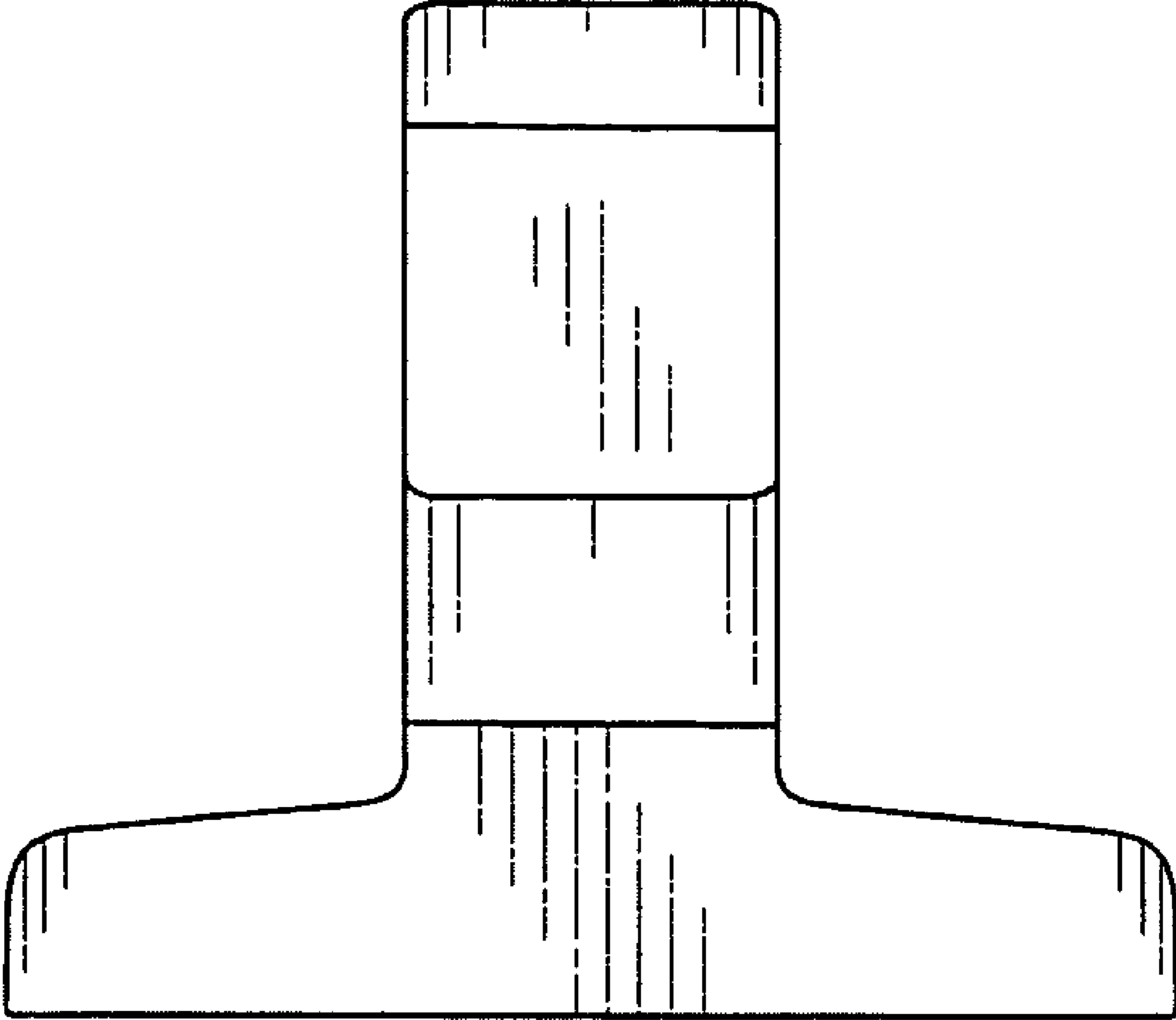


FIG. 7