



US00D601383S

(12) **United States Design Patent**  
**Shah**

(10) **Patent No.:** **US D601,383 S**  
(45) **Date of Patent:** **\*\* Oct. 6, 2009**

(54) **SQUARE CASSEROLE**  
(75) Inventor: **Haresh Velji Shah**, Mumbai (IN)  
(73) Assignee: **M/S. Tokyo Plast International Ltd.**,  
Mumbai (IN)  
(\*\*) Term: **14 Years**  
(21) Appl. No.: **29/320,162**  
(22) Filed: **Jun. 23, 2008**

(30) **Foreign Application Priority Data**  
Dec. 31, 2007 (IN) ..... 213933

(51) **LOC (9) Cl.** ..... **07-01**  
(52) **U.S. Cl.** ..... **D7/540; D7/538**  
(58) **Field of Classification Search** ..... D7/547,  
D7/538, 545, 354, 360, 629, 540, 703, 500,  
D7/539, 542-544, 584, 601, 602; D9/504,  
D9/425, 432, 426; 16/225; 220/4.23, 432,  
220/573.1, 574, 495.03, 912, 839; D15/89;  
D28/82

See application file for complete search history.

(56) **References Cited**  
U.S. PATENT DOCUMENTS  
2,915,214 A \* 12/1959 Frankel ..... 220/266  
D214,185 S \* 5/1969 Stageberg ..... D7/354

D285,177 S \* 8/1986 Goetz ..... D9/420  
D285,414 S \* 9/1986 Goetz et al. .... D9/420  
D439,376 S \* 3/2001 Lerolle ..... D28/82  
D476,572 S \* 7/2003 Merritt ..... D9/504  
D479,016 S \* 8/2003 Sgariboldi ..... D28/78  
D531,025 S \* 10/2006 Tanner ..... D9/426  
D531,761 S \* 11/2006 Zadeh et al. .... D28/83  
D549,053 S \* 8/2007 Dellaferrera ..... D7/629  
D567,032 S \* 4/2008 Gilbert ..... D7/629  
D582,218 S \* 12/2008 Curtin ..... D7/629

\* cited by examiner

*Primary Examiner*—Robert M Spear  
*Assistant Examiner*—Cynthia Underwood  
(74) *Attorney, Agent, or Firm*—Notaro & Michalos P.C.

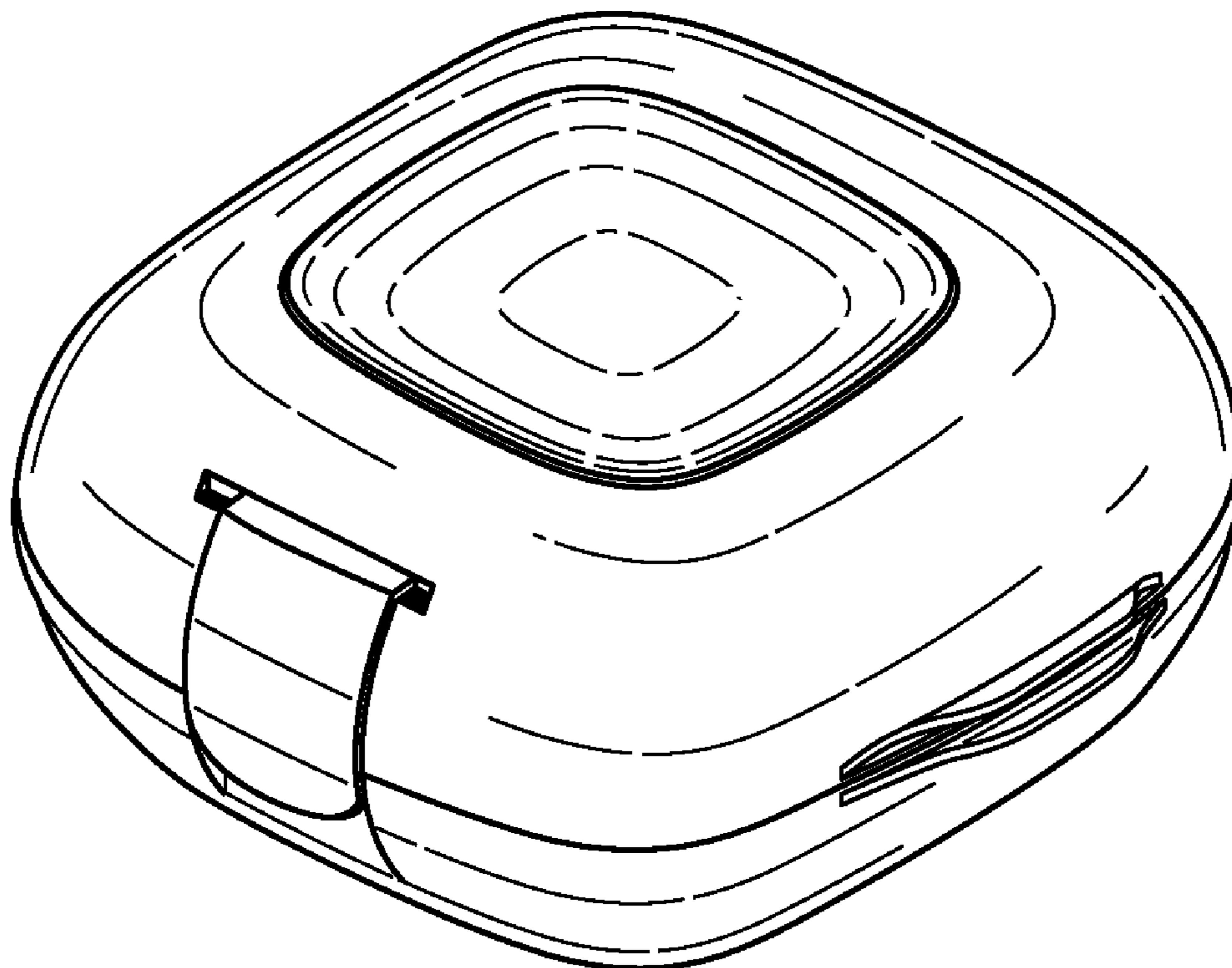
(57) **CLAIM**

The ornamental design for a square casserole, as shown and described.

**DESCRIPTION**

FIG. 1 is a perspective view a square casserole showing my new design therefor;  
FIG. 2 is a top plan view thereof;  
FIG. 3 is a right side elevational view thereof;  
FIG. 4 is a front elevational view thereof; and,  
FIG. 5 is a bottom plan view thereof.

**1 Claim, 3 Drawing Sheets**



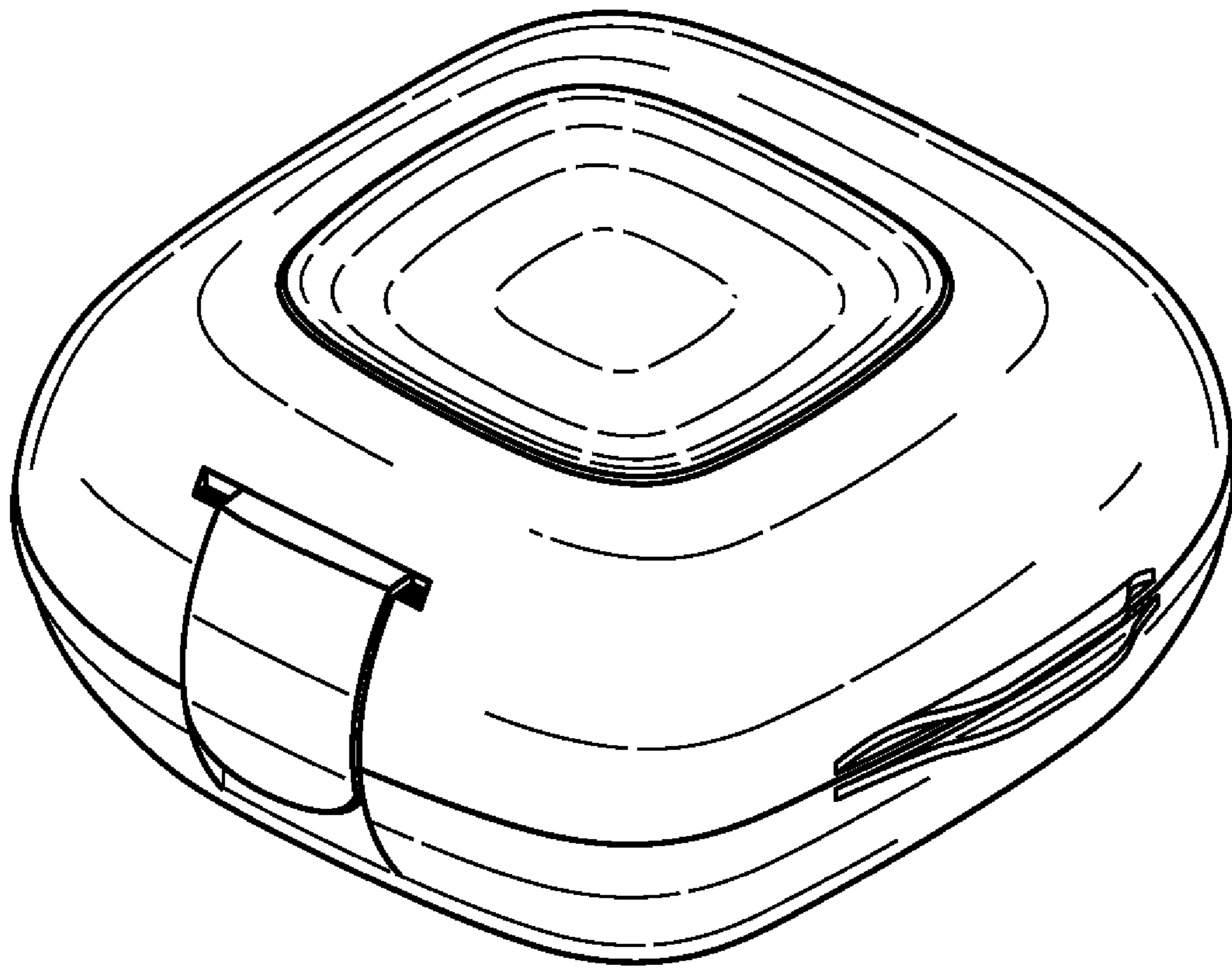


FIG. 1

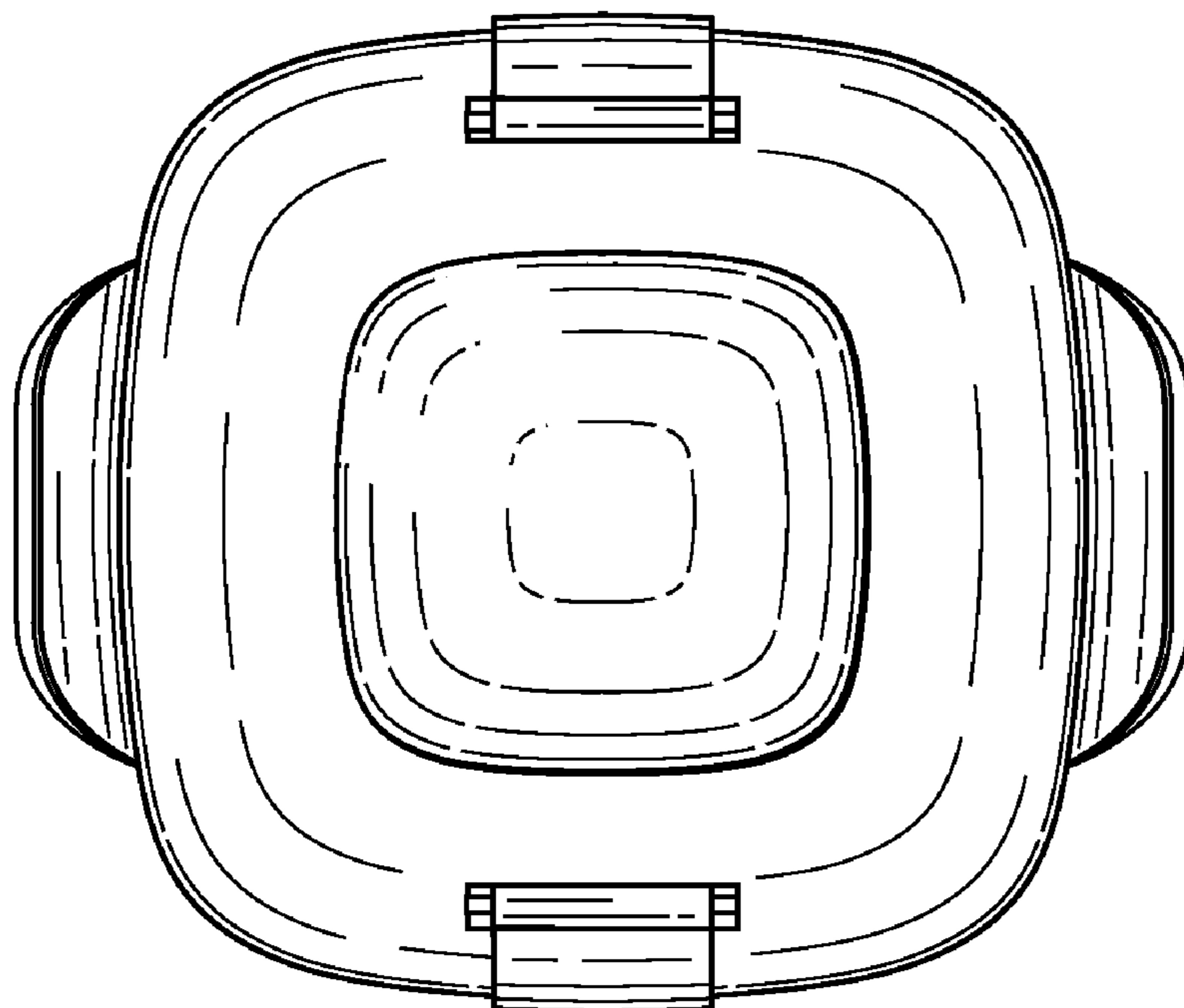


FIG. 2

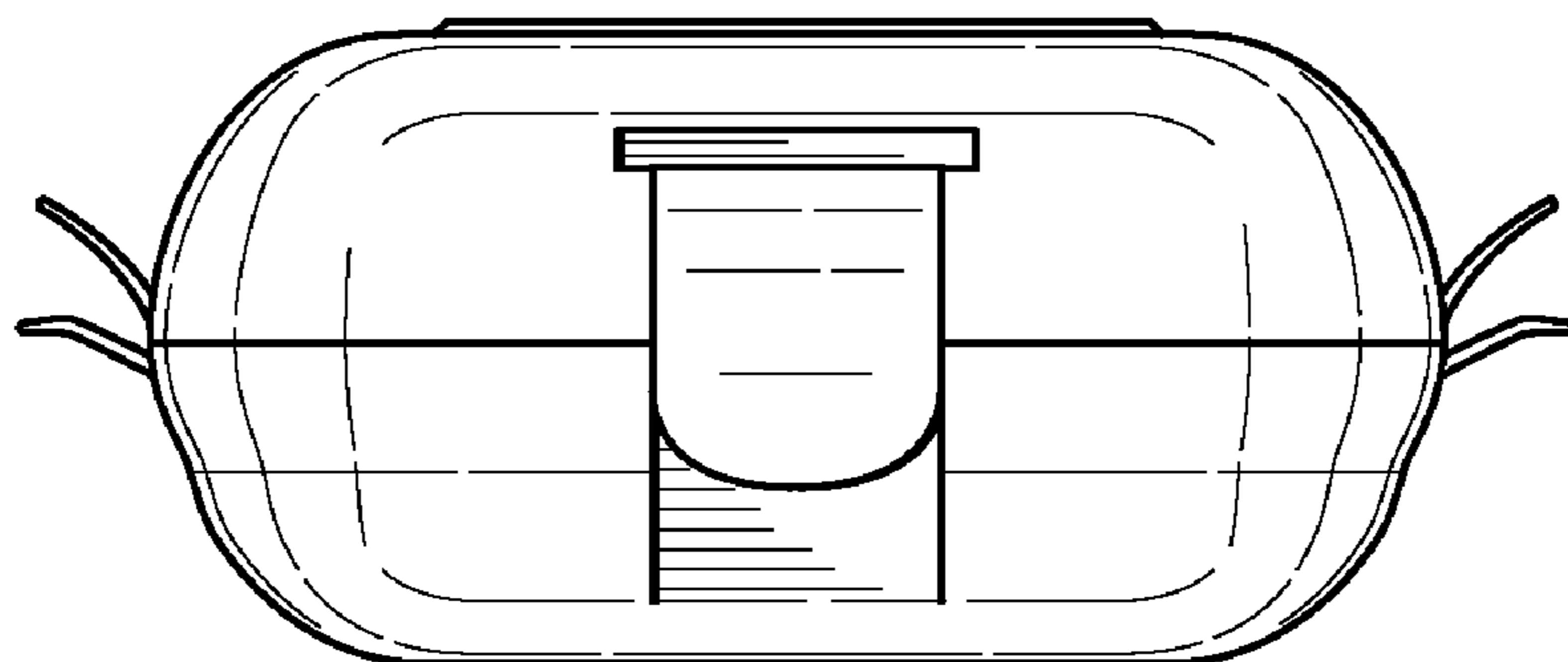


FIG. 3

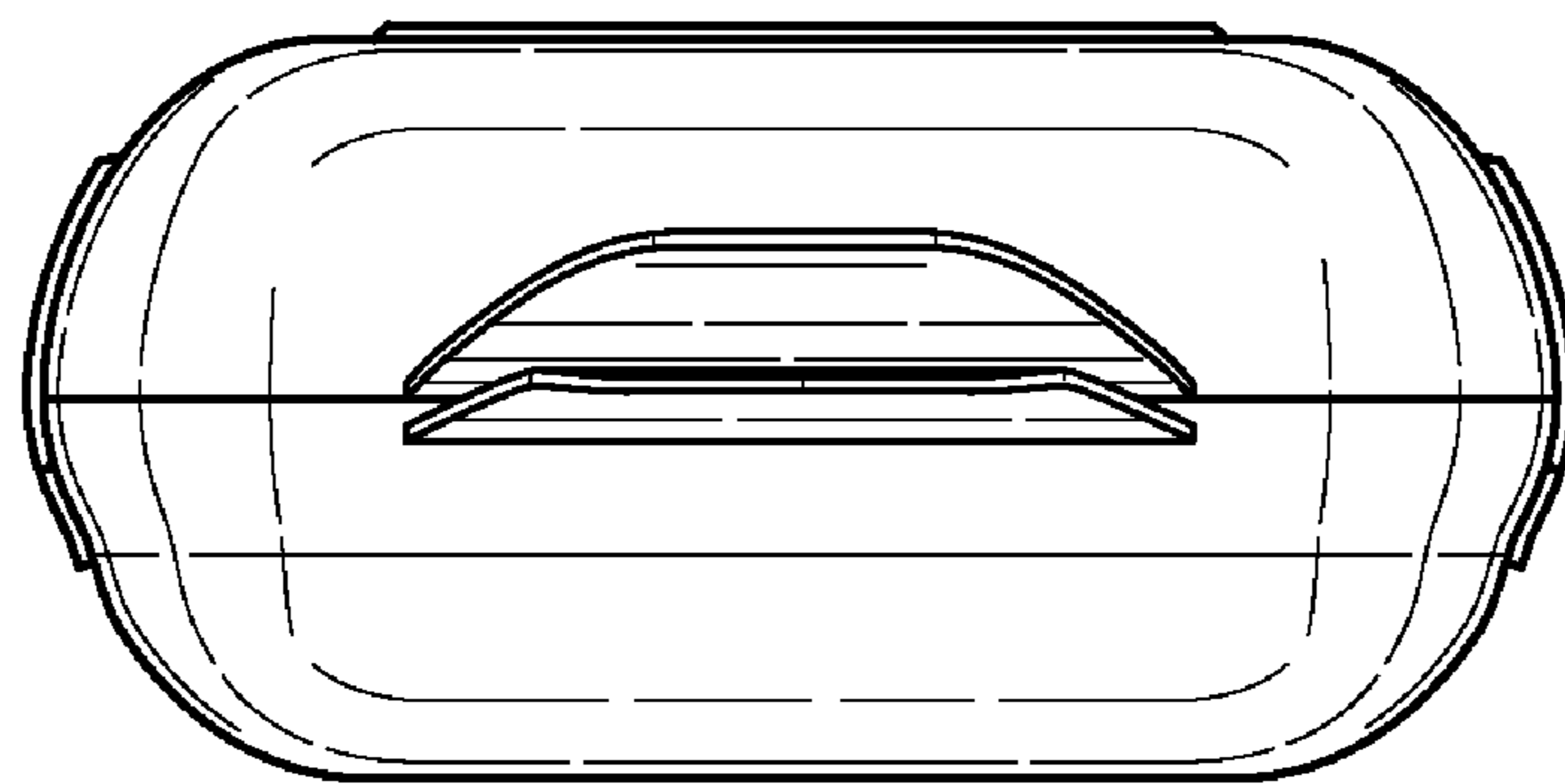


FIG. 4

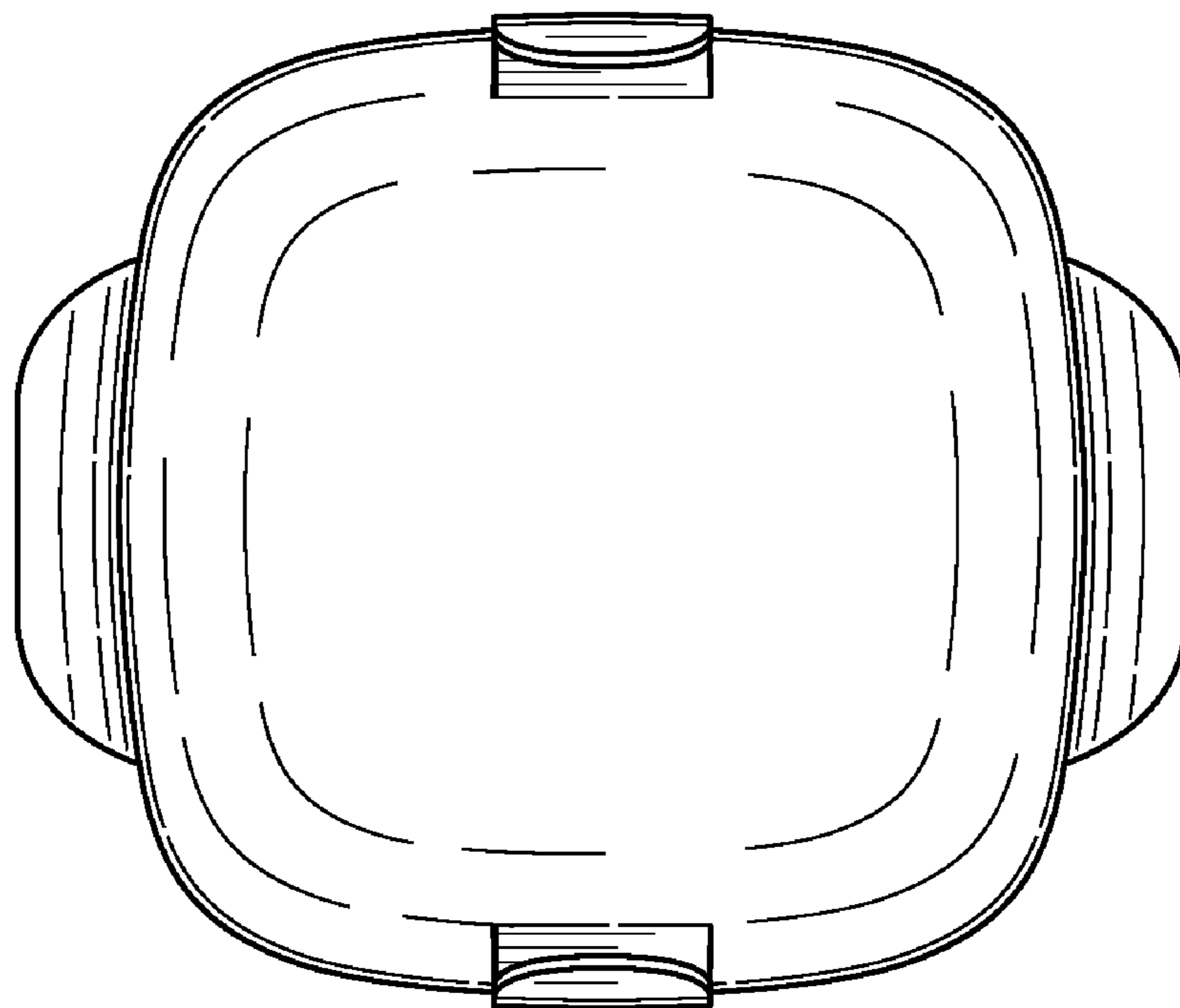


FIG. 5