



US00D601382S

(12) **United States Design Patent**
Ishida

(10) **Patent No.:** **US D601,382 S**
(45) **Date of Patent:** **** Oct. 6, 2009**

(54) **COMBINED COOLING SERVING
CONTAINER, LINER AND COVER**

(75) Inventor: **Damon Kikuo Ishida**, Honolulu, HI
(US)

(73) Assignee: **Ke-Anu LLC**, Honolulu, HI (US)

(**) Term: **14 Years**

(21) Appl. No.: **29/310,678**

(22) Filed: **Sep. 2, 2008**

(51) **LOC (9) Cl.** **07-01**

(52) **U.S. Cl.** **D7/538; D7/542; D7/605;
D7/629**

(58) **Field of Classification Search** D3/314,
D3/201, 307; 426/523; 219/728, 732; 229/406;
220/608, 4.23, 4.22, 4.24; 206/544, 520;
62/457.6; D9/425, 707, 452, 429, 453, 419,
D9/426, 428, 424, 427, 430, 432; D7/542,
D7/538, 500, 543, 360, 361, 601, 602, 701-708,
D7/354, 355-358, 587, 554.3

See application file for complete search history.

(56) **References Cited**

U.S. PATENT DOCUMENTS

| | | | | |
|---------------|---------|------------------|-------|----------|
| D213,898 S * | 4/1969 | Monaco | | D7/542 |
| 4,127,189 A * | 11/1978 | Shumrak et al. | | 206/520 |
| D300,102 S * | 3/1989 | Morin | | D7/629 |
| 5,235,901 A * | 8/1993 | MacLennan et al. | | 99/276 |
| D378,724 S * | 4/1997 | Young et al. | | D7/505 |
| D422,412 S * | 4/2000 | Greene | | D3/314 |
| D439,159 S * | 3/2001 | Chen | | D9/425 |
| D470,714 S * | 2/2003 | Kloppsteck | | D7/360 |
| D489,226 S * | 5/2004 | De Neubourg | | D7/554.3 |
| D558,572 S * | 1/2008 | Andre et al. | | D9/432 |
| D574,179 S * | 8/2008 | DeLuca | | D7/354 |

OTHER PUBLICATIONS

Ke-Anu LLC, Aloha Chill'R brochure showing the design and uses for the product therein, printed on Jan. 16, 2006, in Honolulu, Hawaii.

* cited by examiner

Primary Examiner—Robert M Spear
Assistant Examiner—Cynthia Underwood
(74) *Attorney, Agent, or Firm*—Martin E. Hsia

(57) **CLAIM**

The ornamental design for a combined cooling serving container, liner and cover, as shown and described.

DESCRIPTION

FIG. 1 is a perspective view of the combined cooling serving container and liner of my new design shown with the cover removed for clarity of disclosure;

FIG. 2 is a front elevational view thereof shown with the cover removed for clarity of disclosure, the rear elevational view being identical;

FIG. 3 is a right side elevational view thereof shown with the cover removed for clarity of disclosure; the left side elevational view being identical;

FIG. 4 is a top plan view thereof shown with the cover removed for clarity of disclosure;

FIG. 5 is a bottom plan view thereof shown with the cover removed for clarity of disclosure;

FIG. 6 is an exploded perspective view thereof shown with the cover removed for clarity of disclosure;

FIG. 7 is an assembled perspective view of the combined cooling serving container, liner and cover of my new design;

FIG. 8 is a front elevational view of FIG. 7, the rear elevational view being identical;

FIG. 9 is a right side elevational view of FIG. 7, the left side elevational view thereof being identical;

FIG. 10 is a top plan view of FIG. 7;

FIG. 11 is a bottom plan view of FIG. 7;

FIG. 12 is an exploded perspective view of FIG. 7;

FIG. 13 is a side cut-away view thereof along the line 13—13 of FIG. 7, shown at an enlarged scale;

FIG. 14 is a perspective view of the combined cooling serving container of the present design shown removed from the liner and cover for clarity of disclosure;

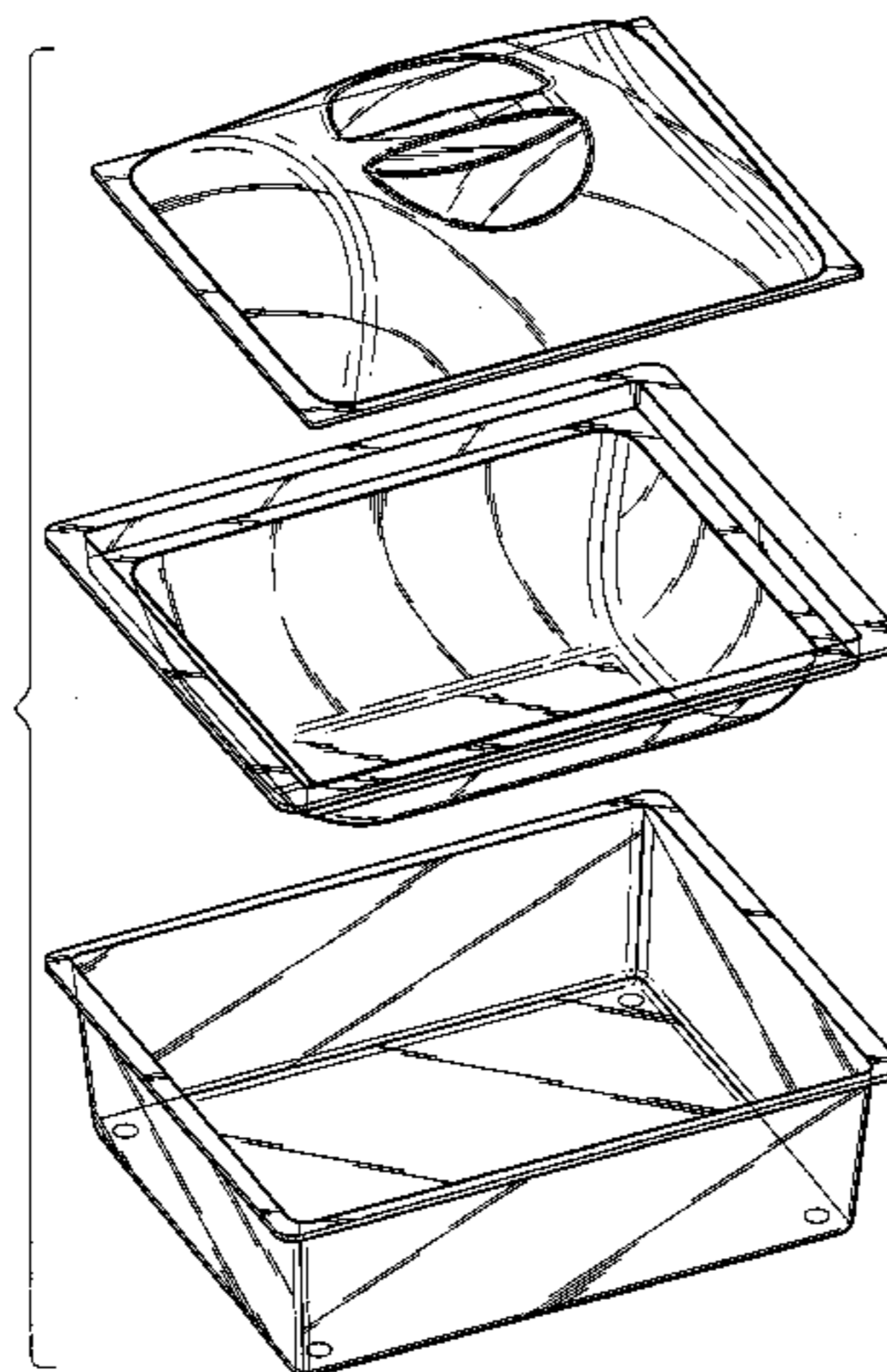


FIG. 15 is a top plan view of FIG. 14 shown removed from the liner and cover for clarity of disclosure;

FIG. 16 is a bottom plan view of FIG. 14 shown removed from the liner and cover for clarity of disclosure;

FIG. 17 is a front elevational view of FIG. 14 shown removed from the liner and cover for clarity of disclosure, the rear elevational view thereof being identical;

FIG. 18 is a right side elevational view of FIG. 14 shown removed from the liner and cover for clarity of disclosure; the left side elevational thereof being identical;

FIG. 19 is a perspective view of the liner shown removed from the combined cooling serving container and cover for clarity of disclosure of my new design;

FIG. 20 is a top plan view of FIG. 19 shown removed from the combined cooling serving container and cover for clarity of disclosure;

FIG. 21 is a bottom plan view of FIG. 19 shown removed from the combined cooling serving container and cover for clarity of disclosure;

FIG. 22 is a front elevational view of FIG. 19 shown removed from the combined cooling serving container and cover for clarity of disclosure, the rear elevational view being identical;

FIG. 23 is a right side elevational view of FIG. 19 shown removed from the combined cooling serving container and cover for clarity of disclosure, the left side elevational view the being identical;

FIG. 24 is a perspective view of the cover of my new design shown removed from the combined cooling serving container and liner;

FIG. 25 is a top plan view of FIG. 24 shown removed from the combined cooling serving container and liner;

FIG. 26 is a bottom plan view of FIG. 24 shown removed from the combined cooling serving container and liner;

FIG. 27 is a front elevational view of FIG. 24 shown removed from the combined cooling serving container and liner, the rear elevational view being identical; and,

FIG. 28 is a right side elevational view of FIG. 24 shown removed from the combined cooling serving container and liner, the left side elevational view being identical.

The broken lines in FIG. 13 represent unclaimed environmental subject matter.

1 Claim, 18 Drawing Sheets

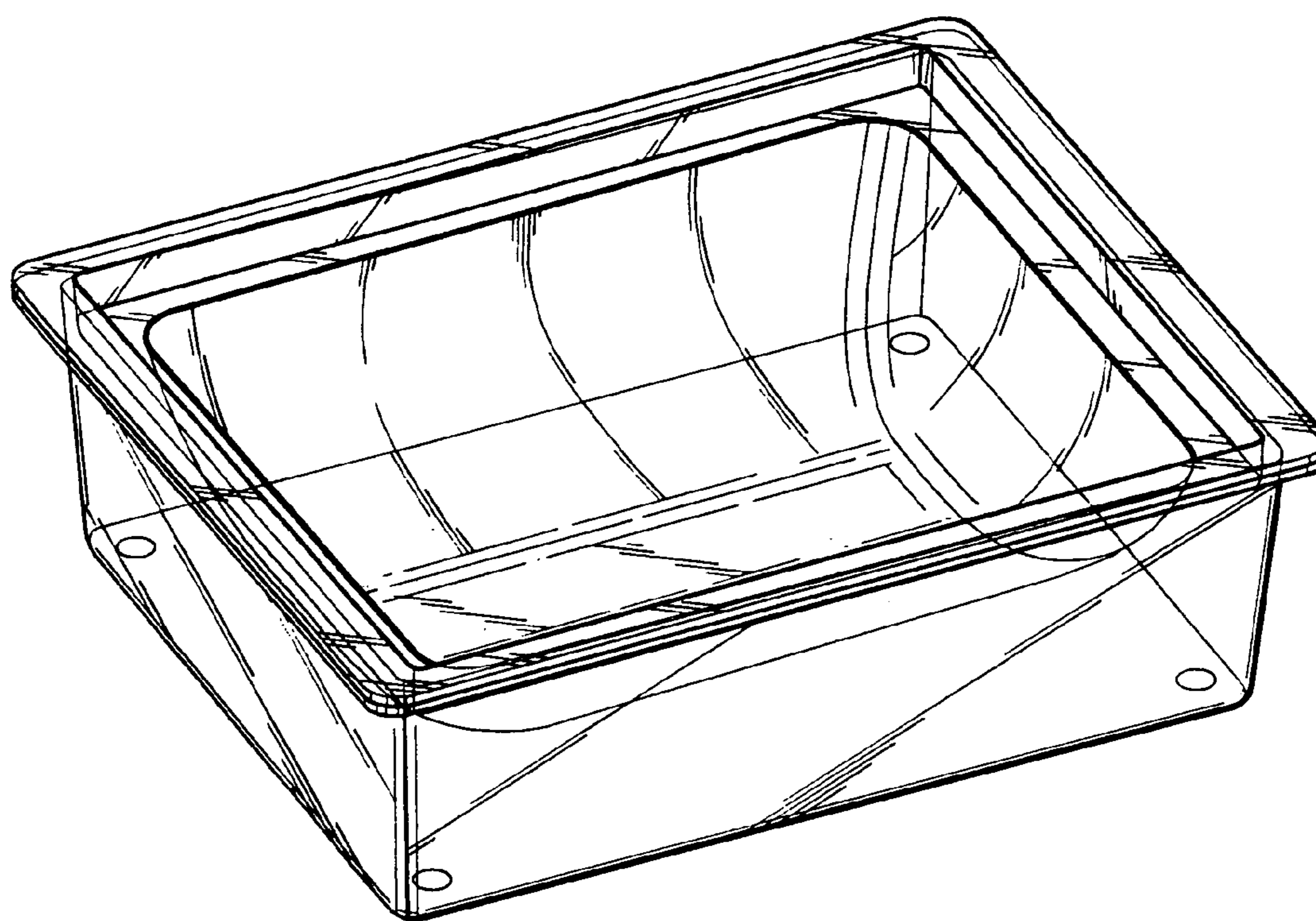


FIG. 1

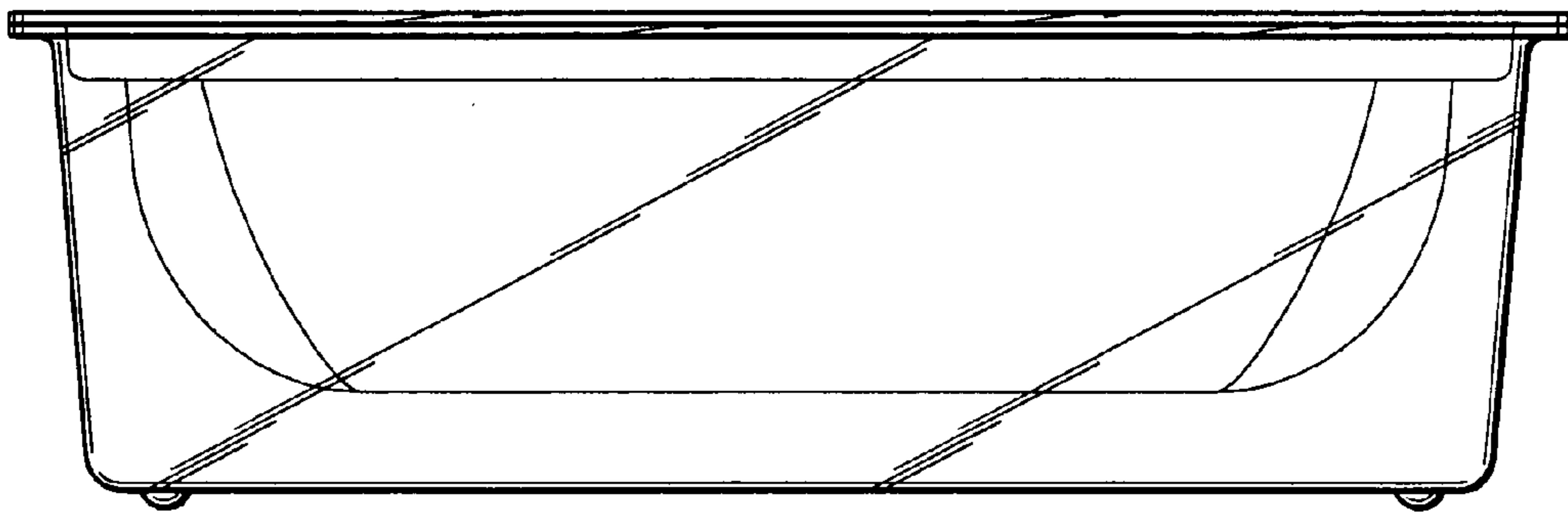


FIG. 2

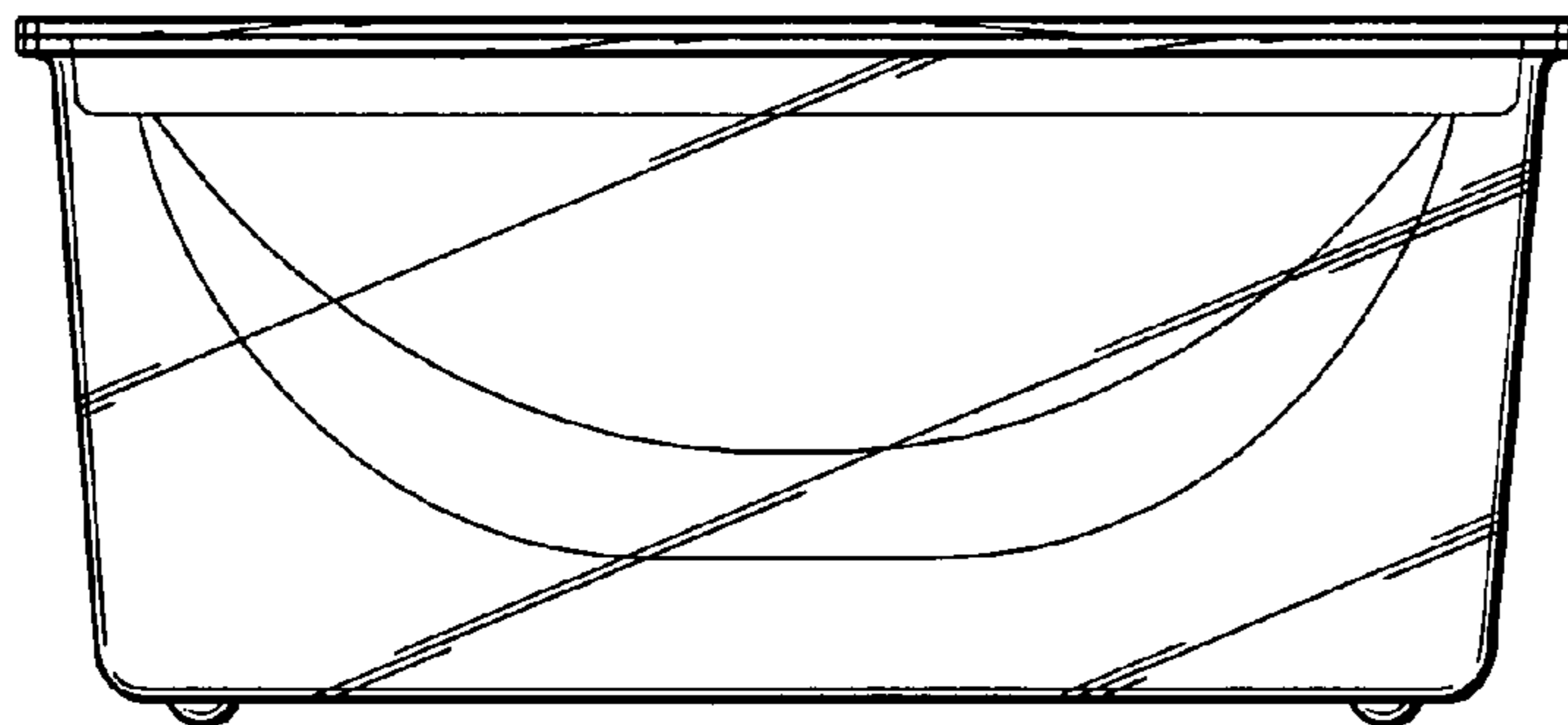


FIG. 3

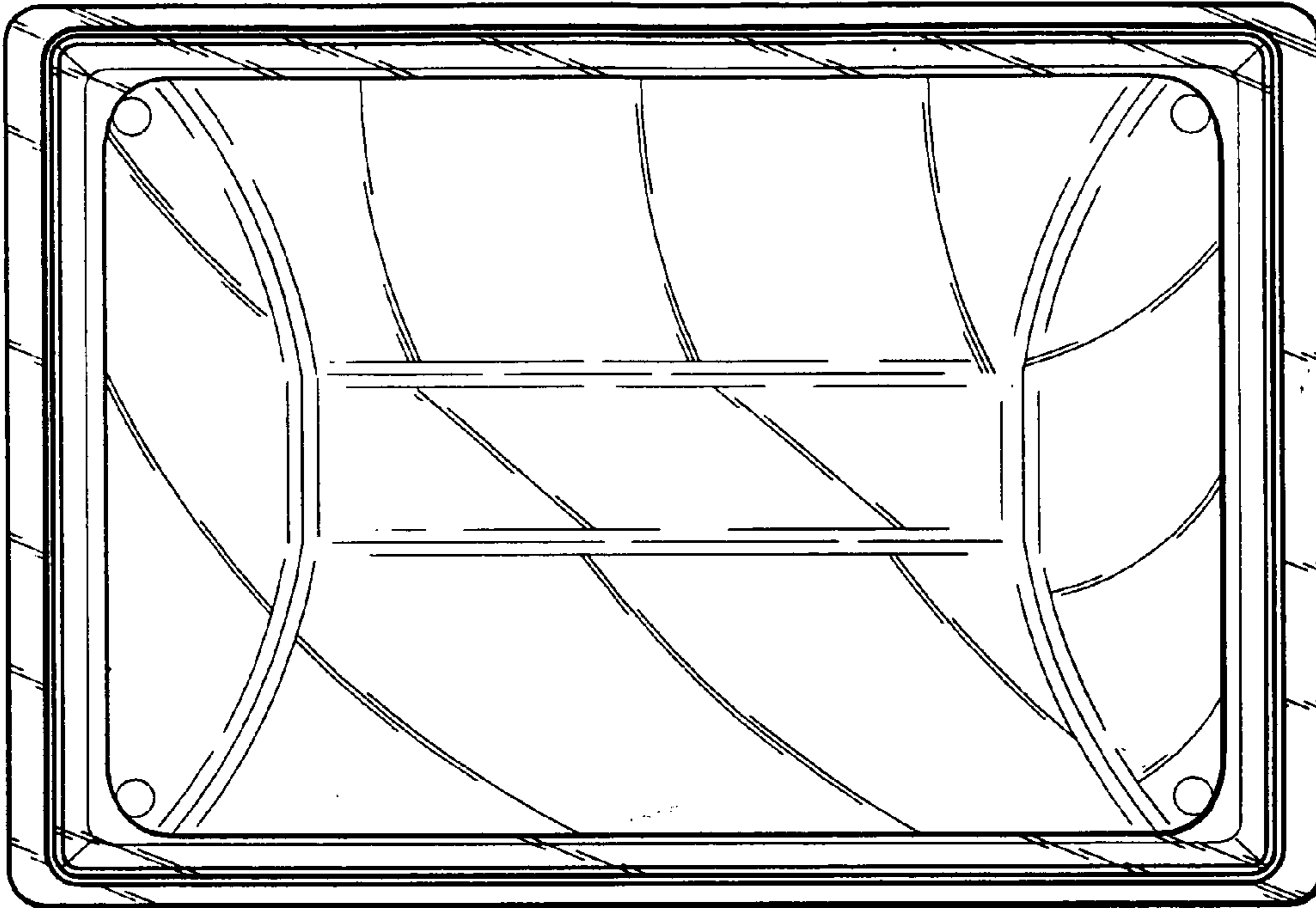


FIG. 4

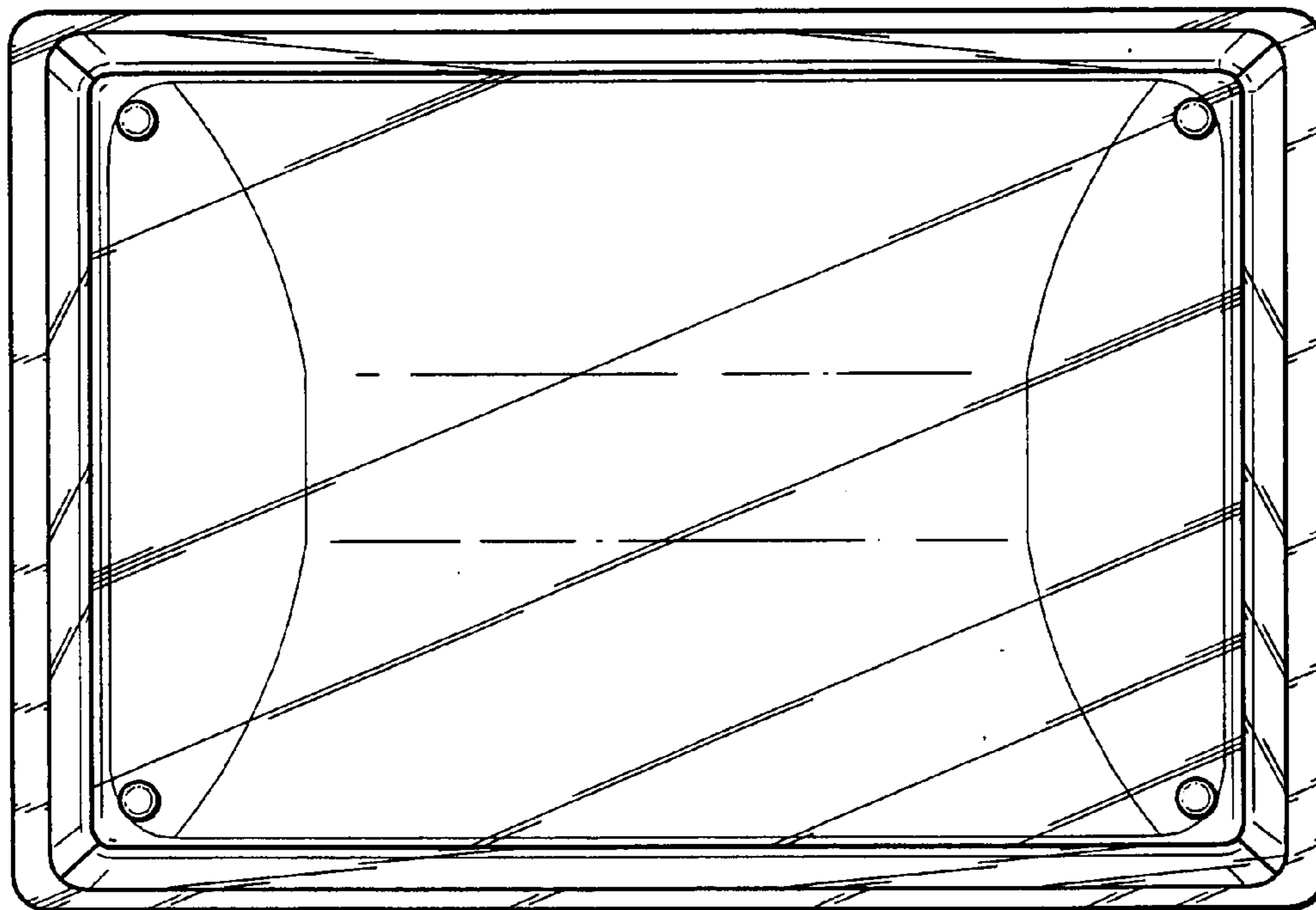


FIG. 5

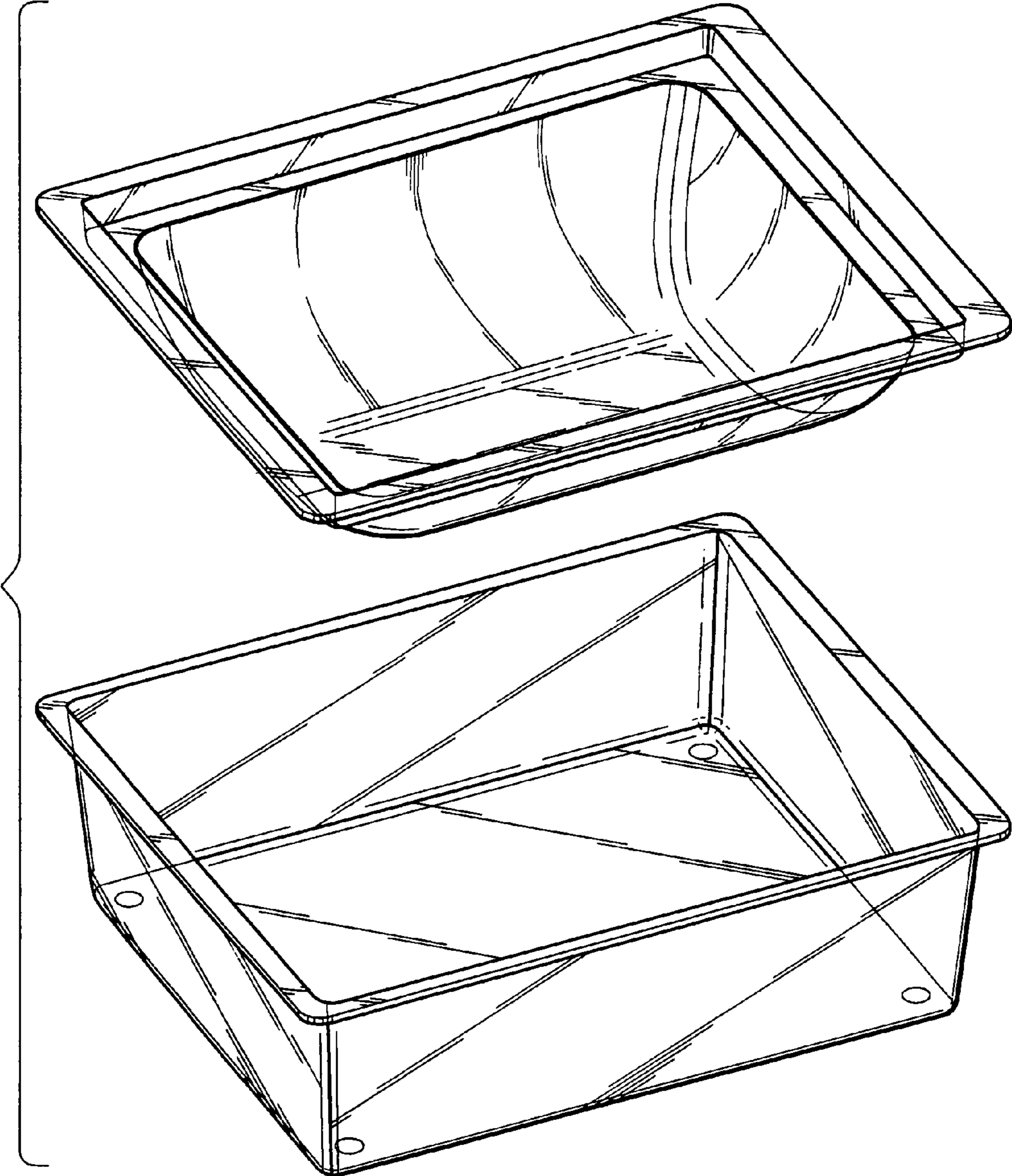


FIG. 6

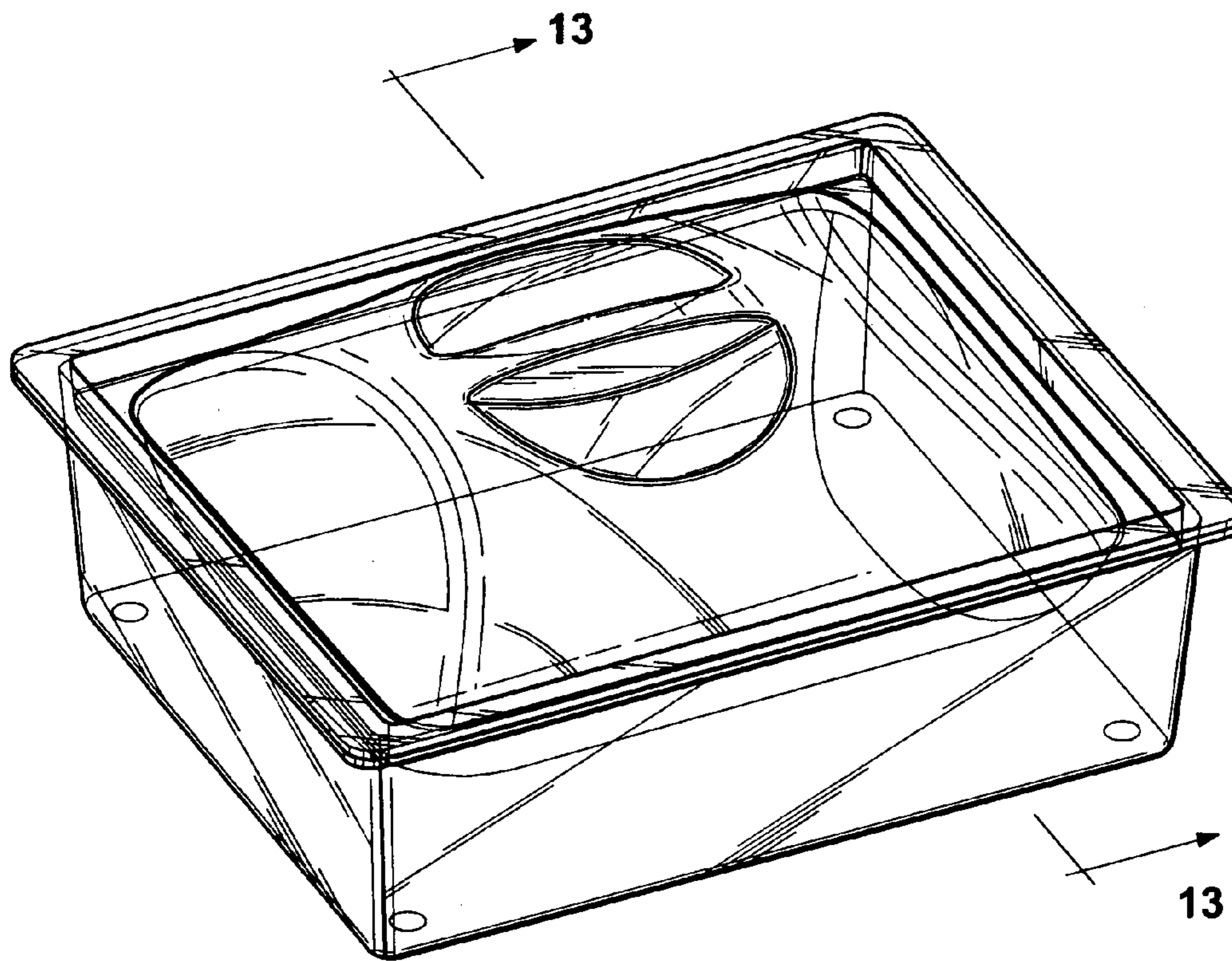


FIG. 7

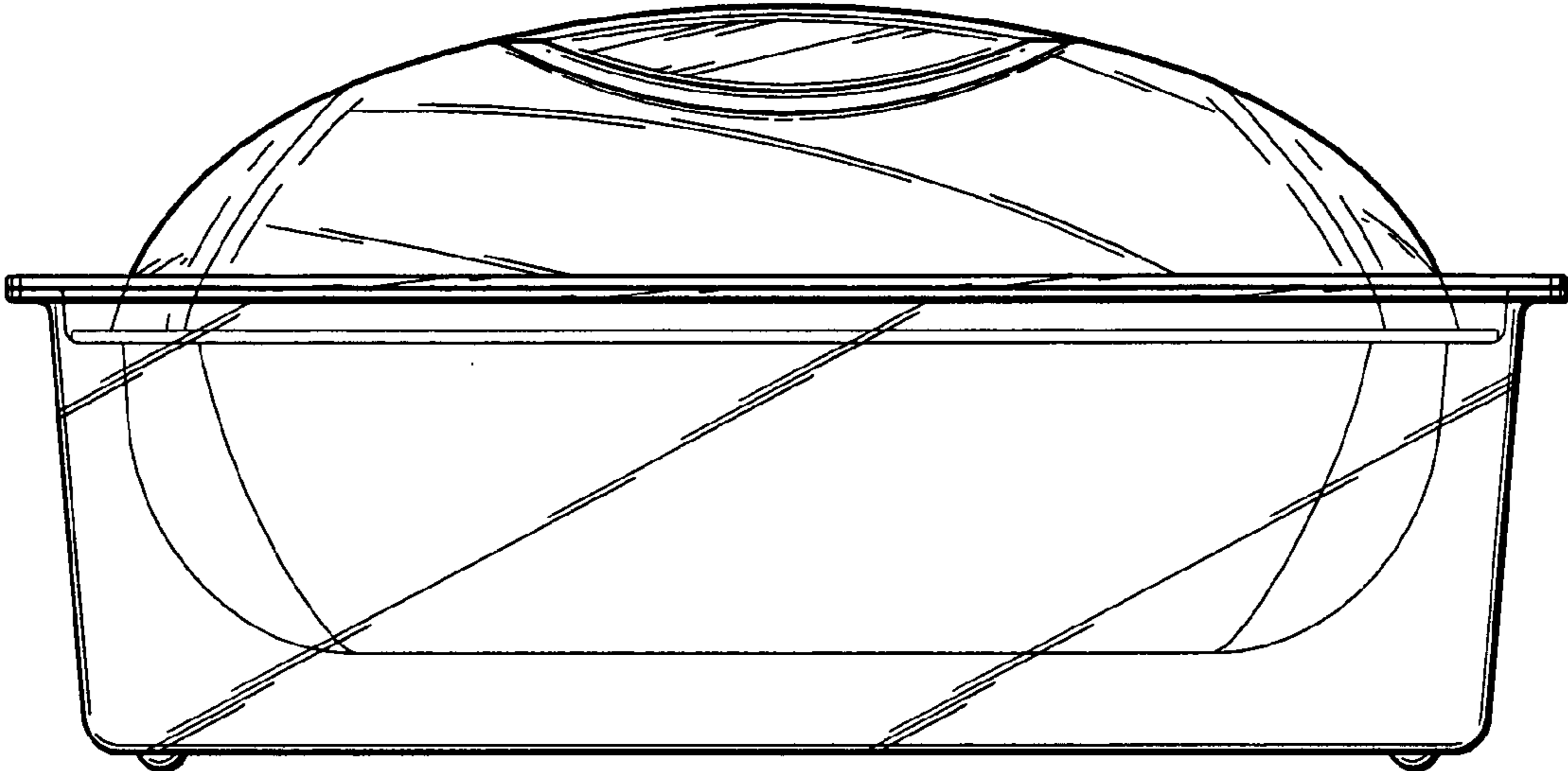


FIG. 8

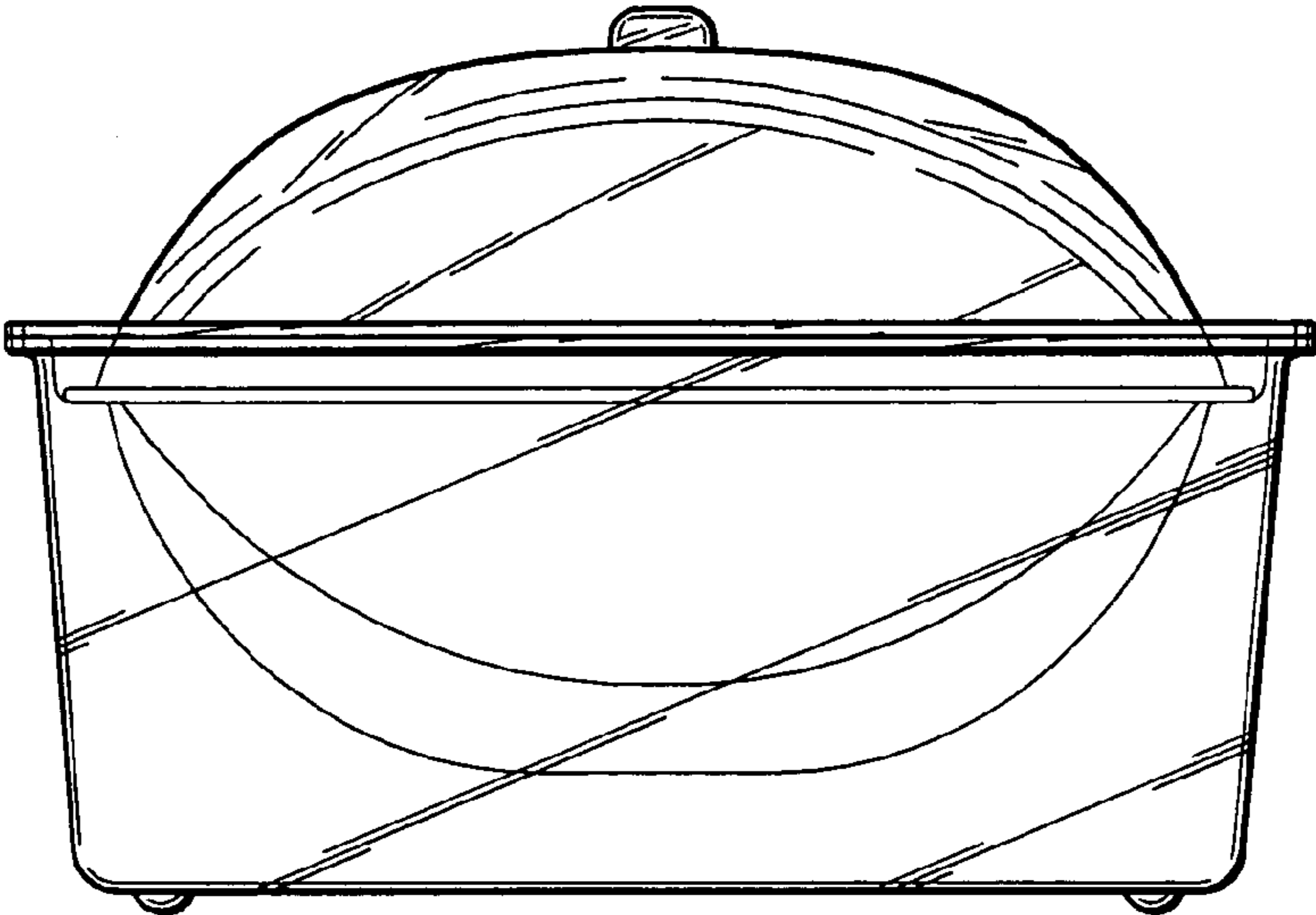


FIG. 9

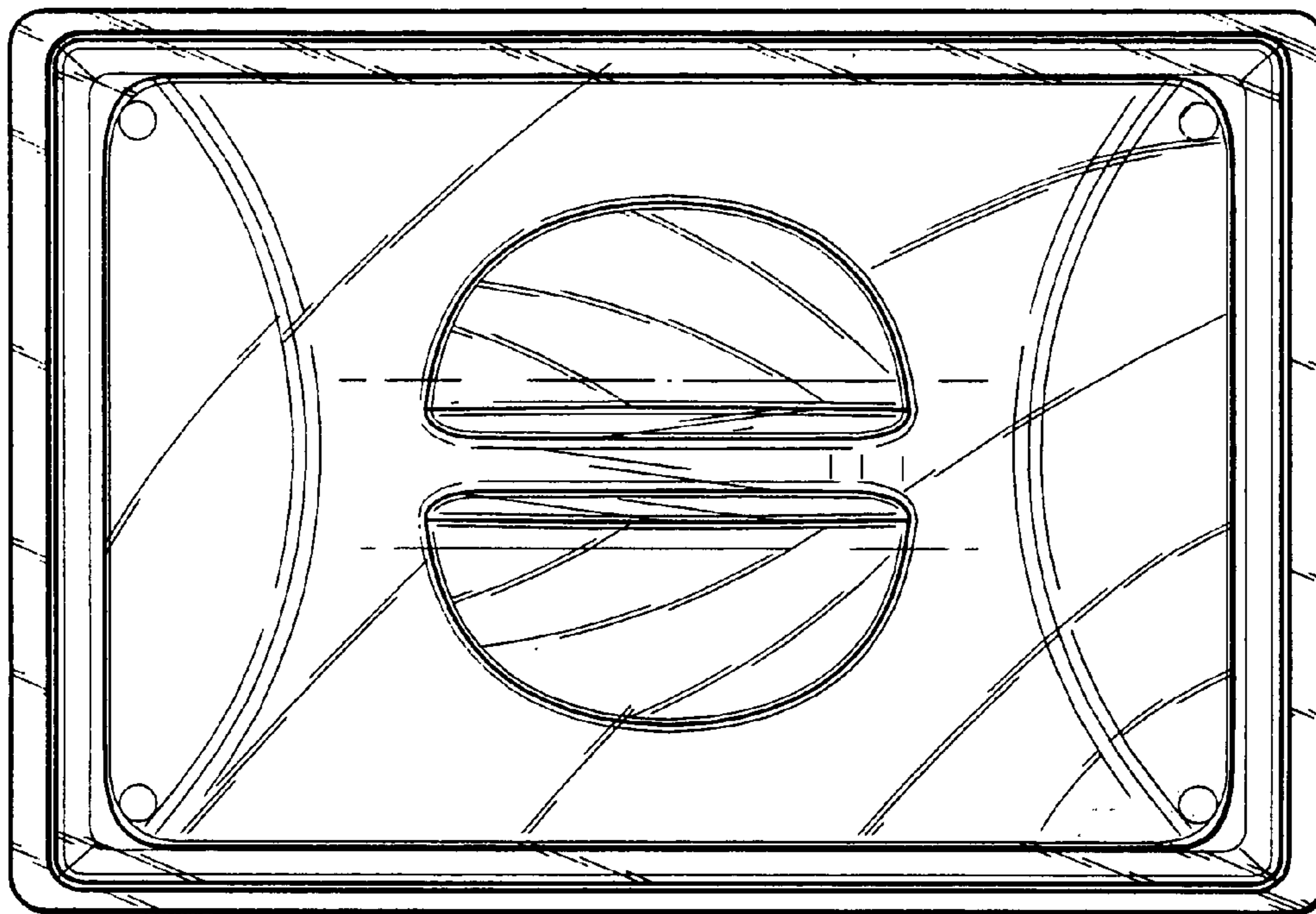


FIG. 10

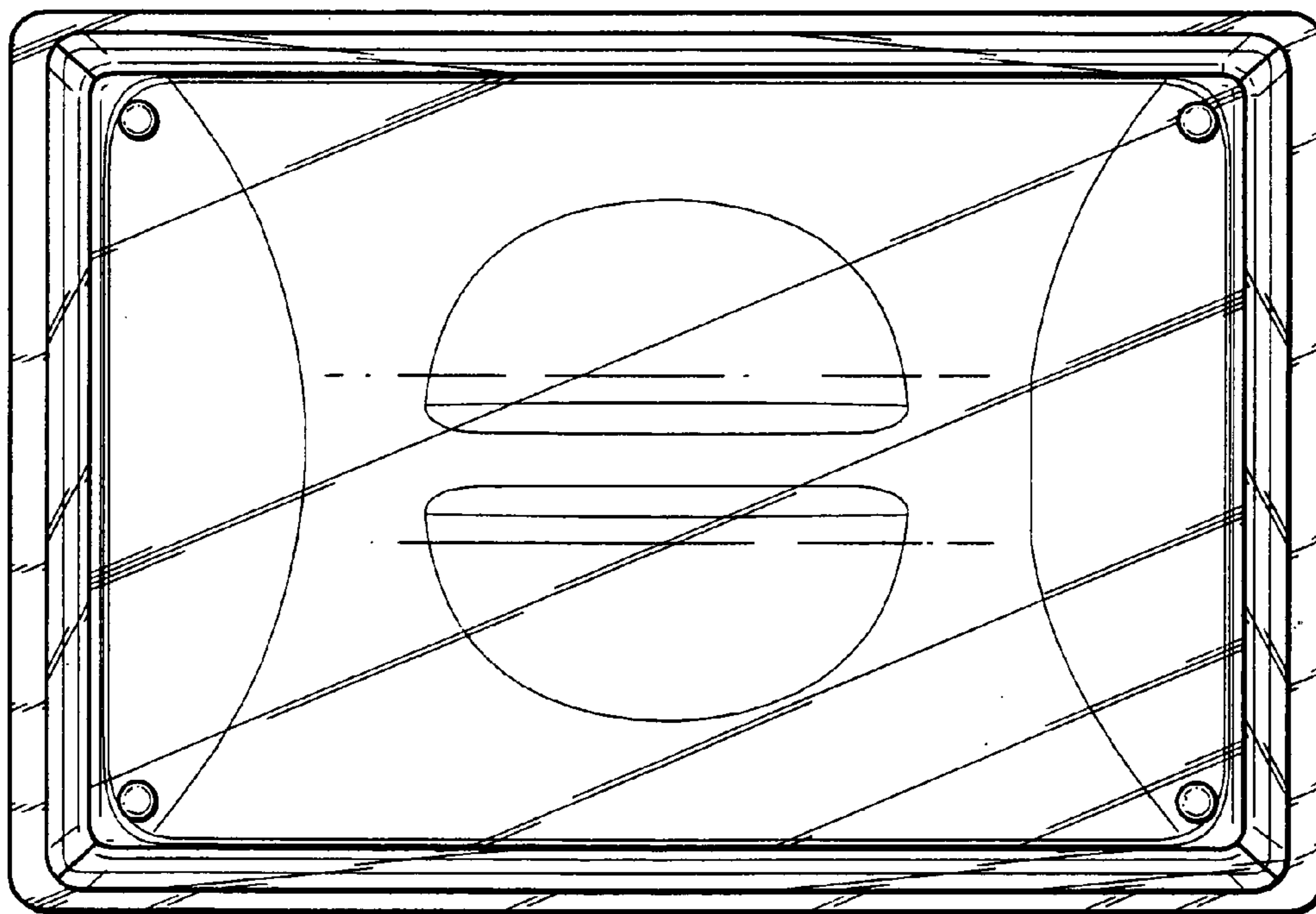


FIG. 11

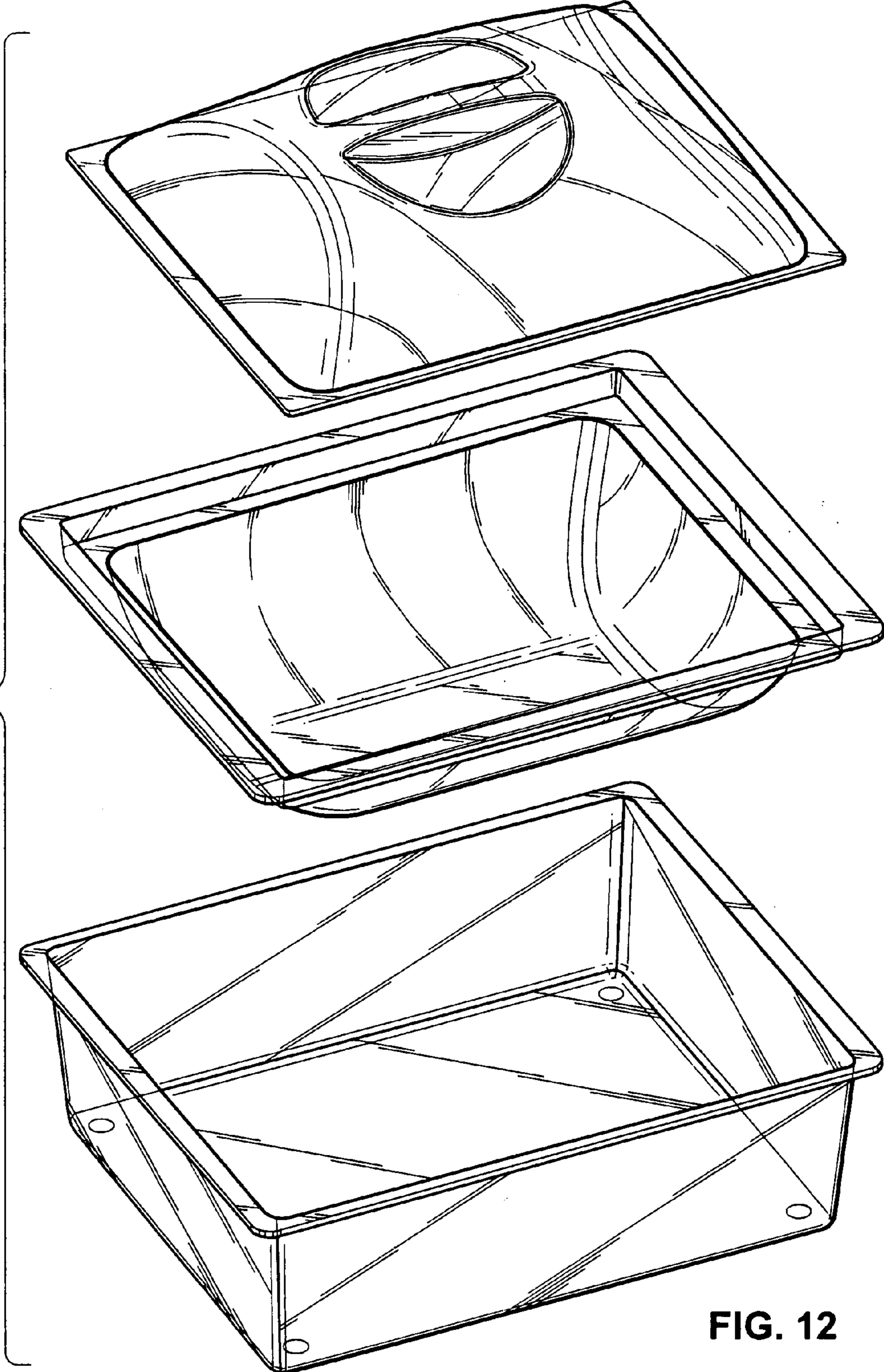


FIG. 12

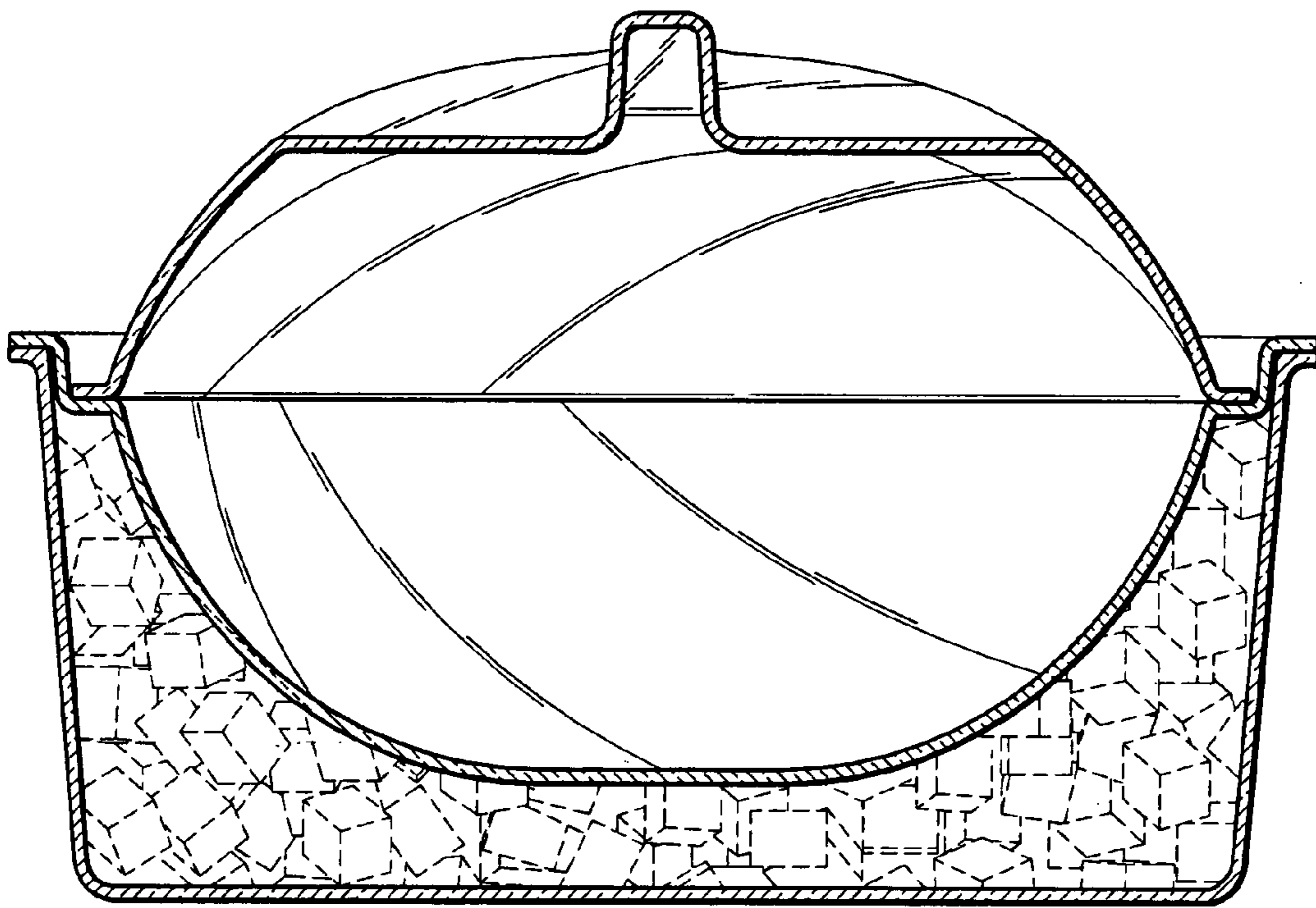


FIG. 13

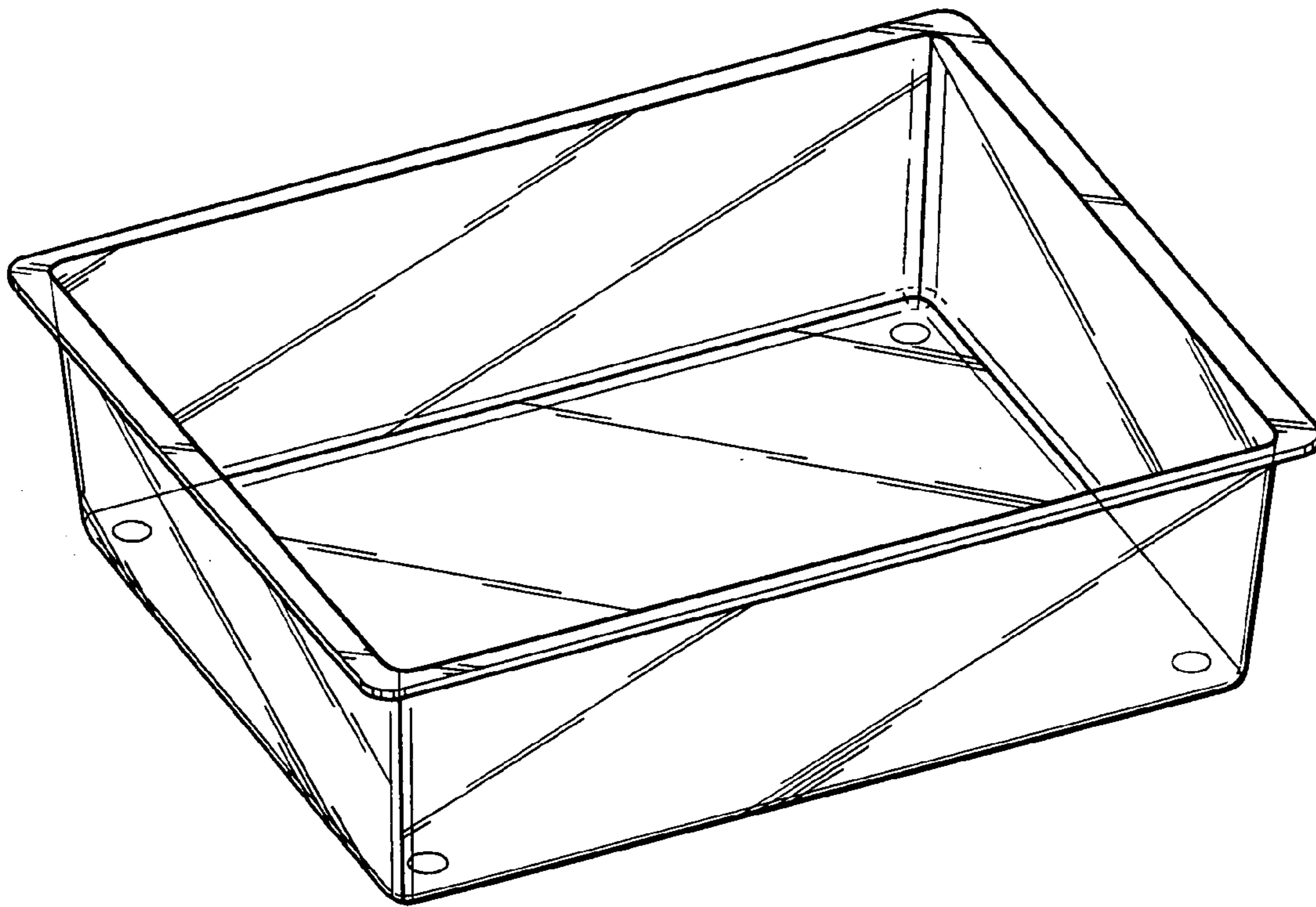


FIG. 14

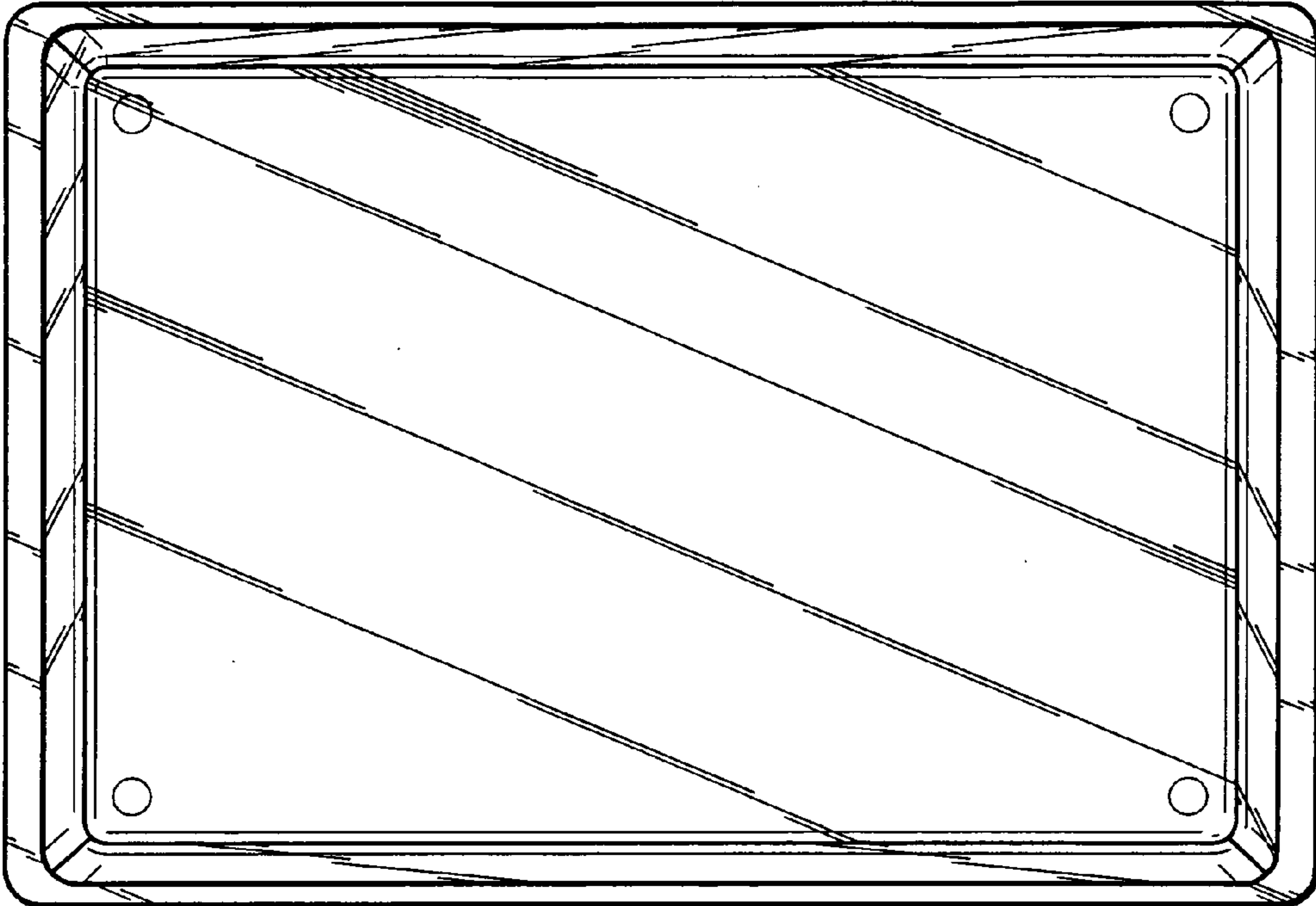


FIG. 15

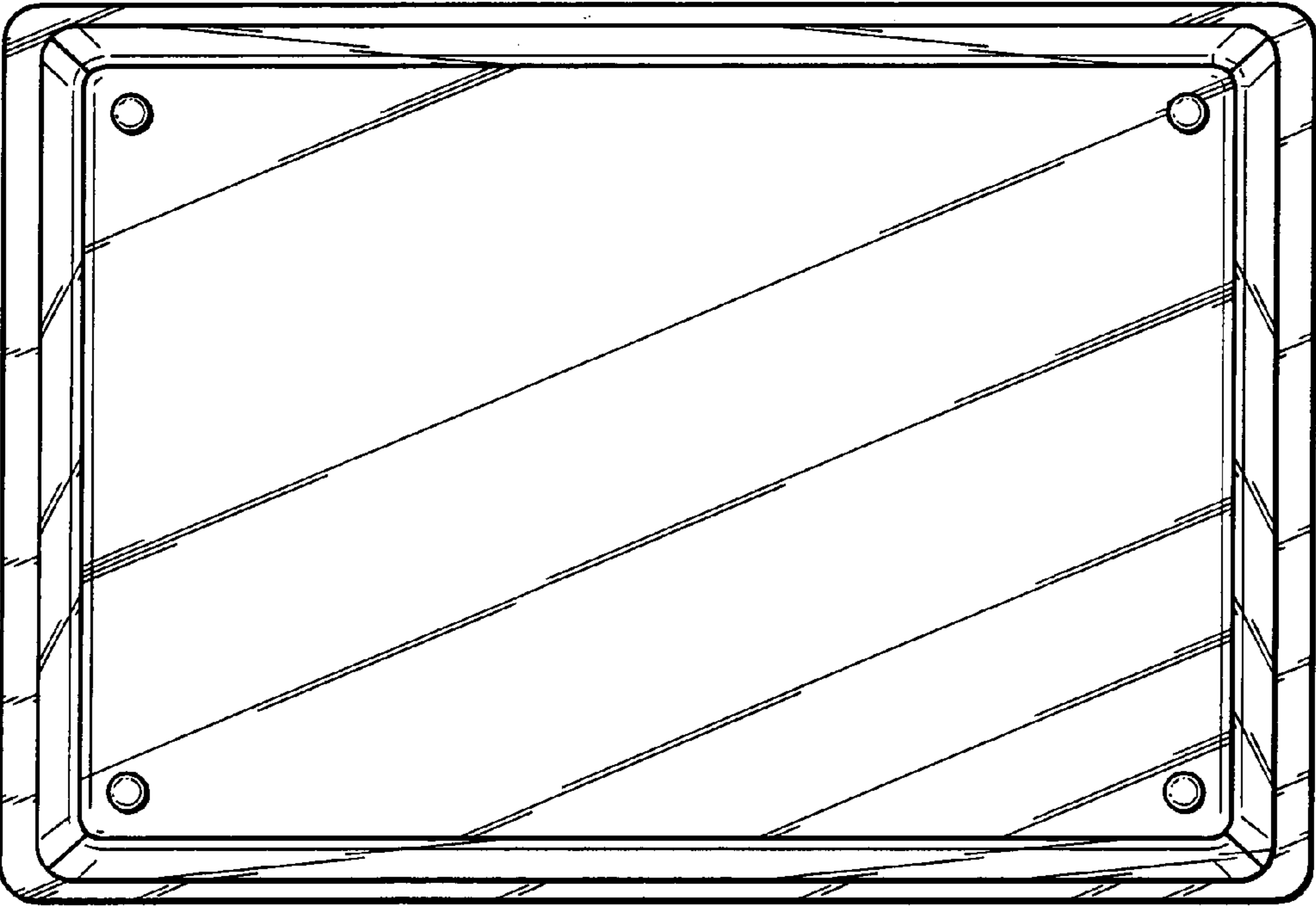


FIG. 16

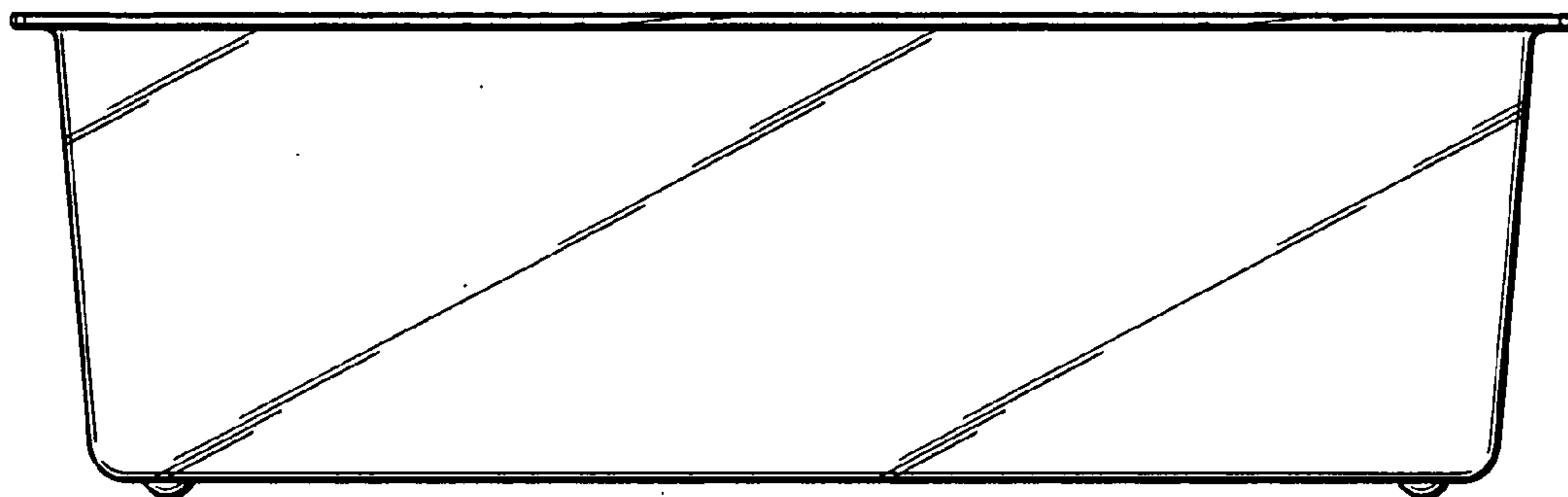


FIG. 17

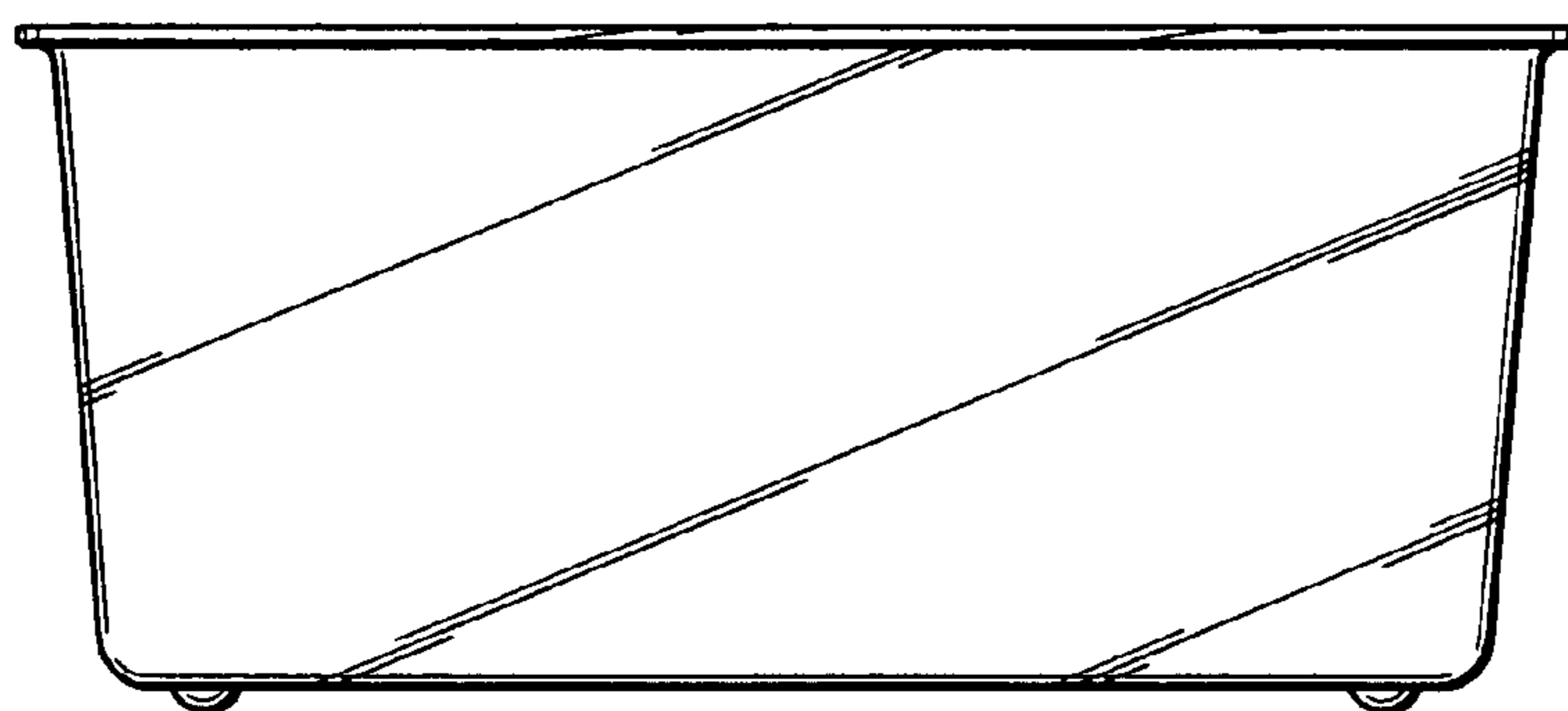


FIG. 18

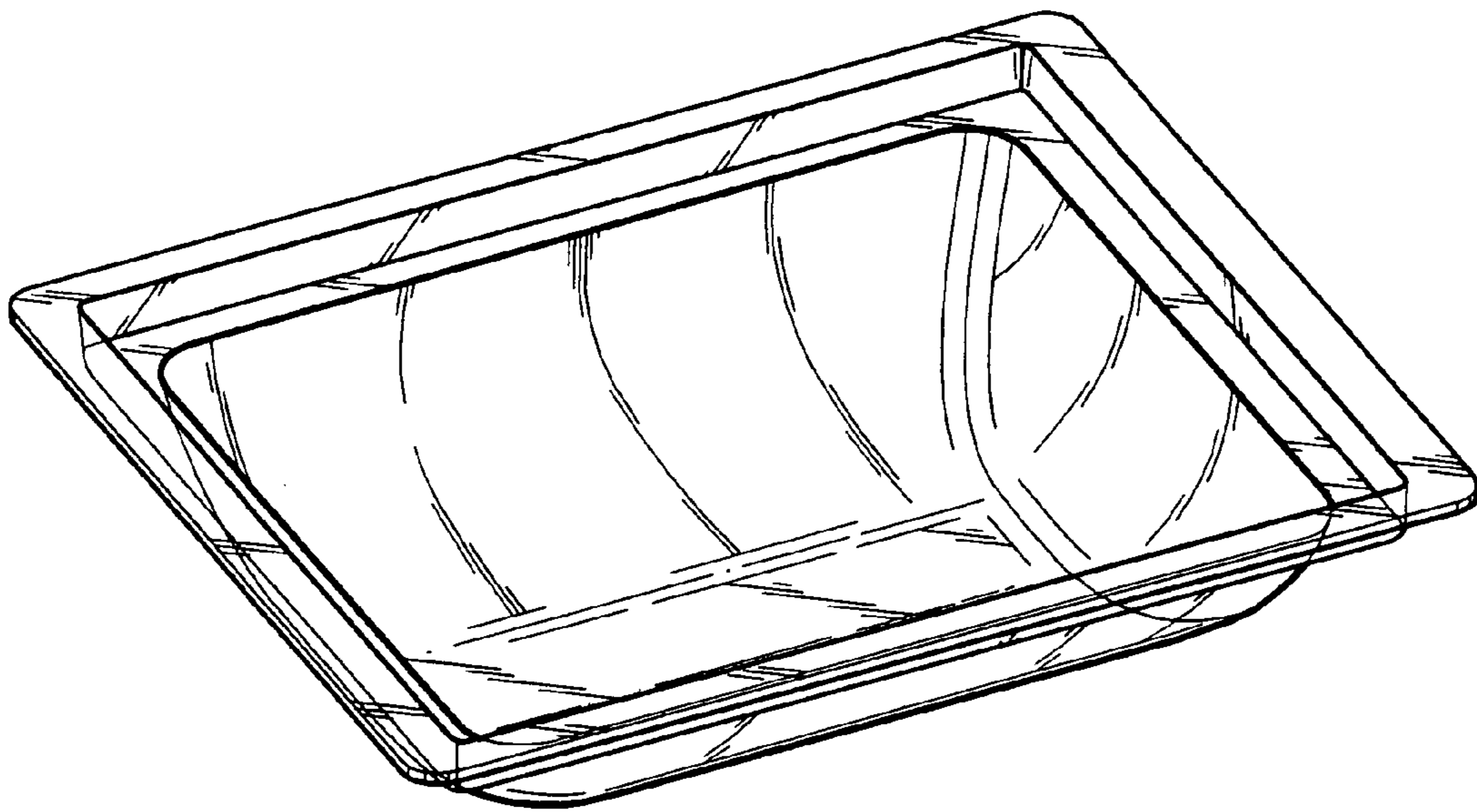


FIG. 19

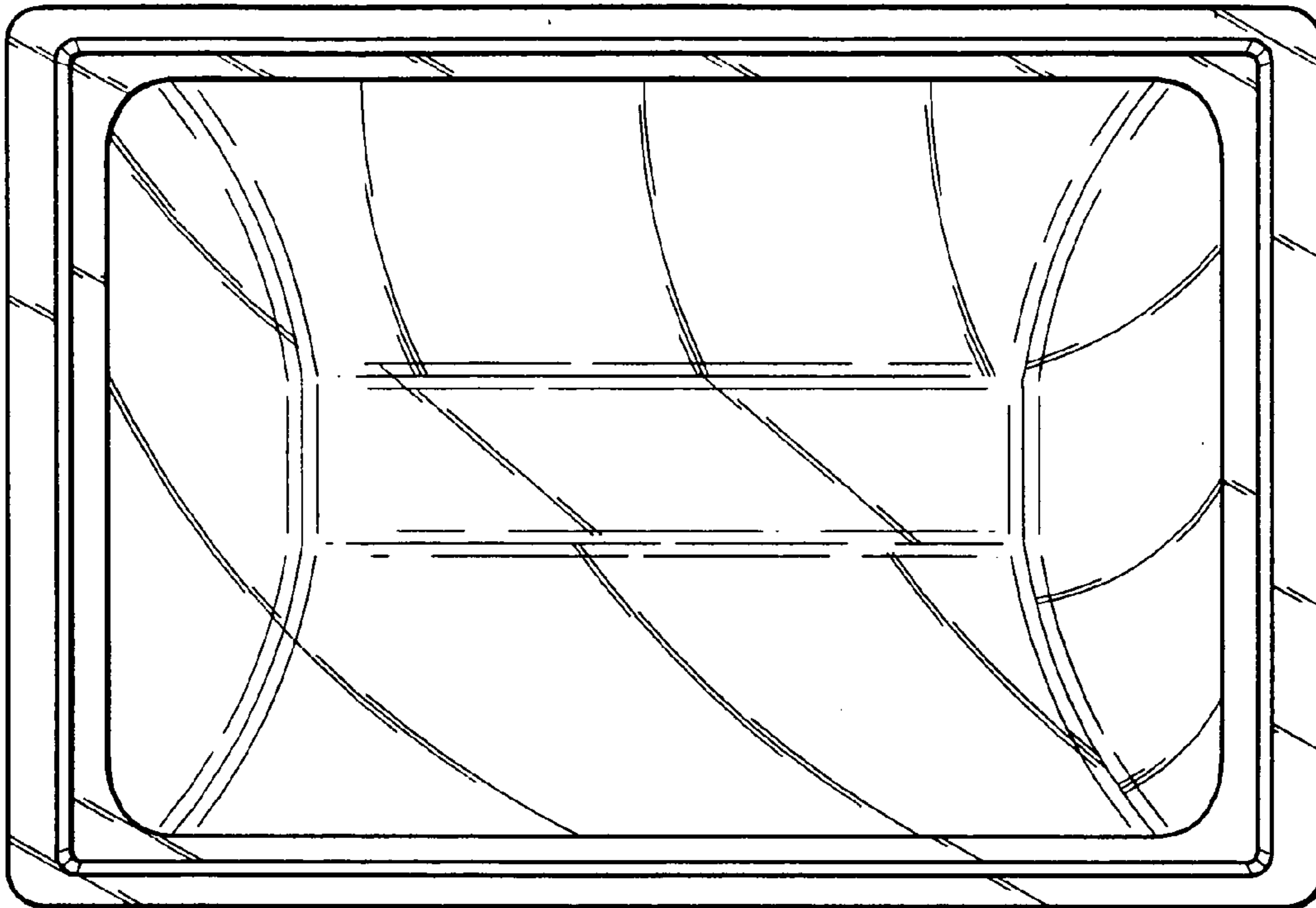


FIG. 20

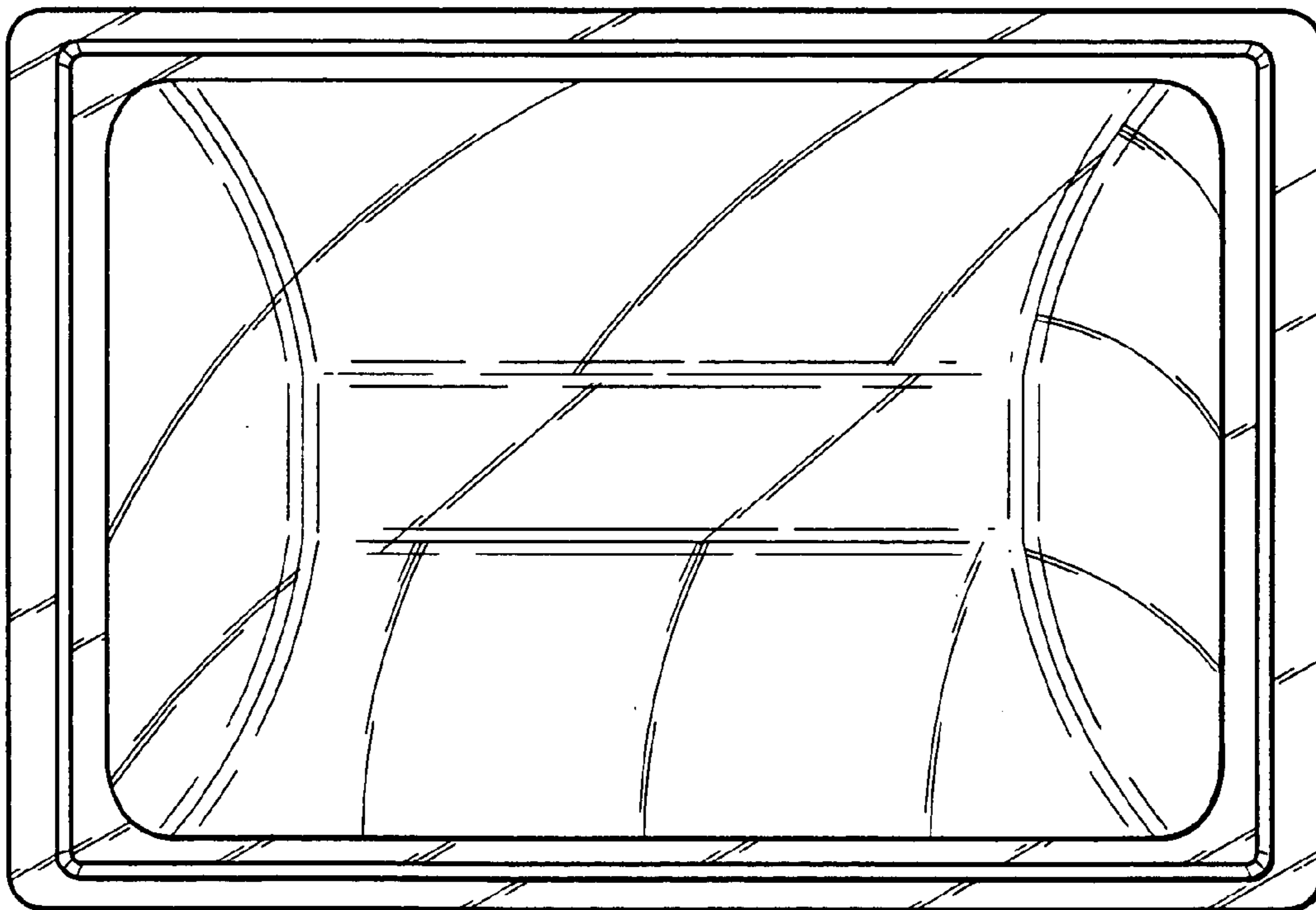


FIG. 21

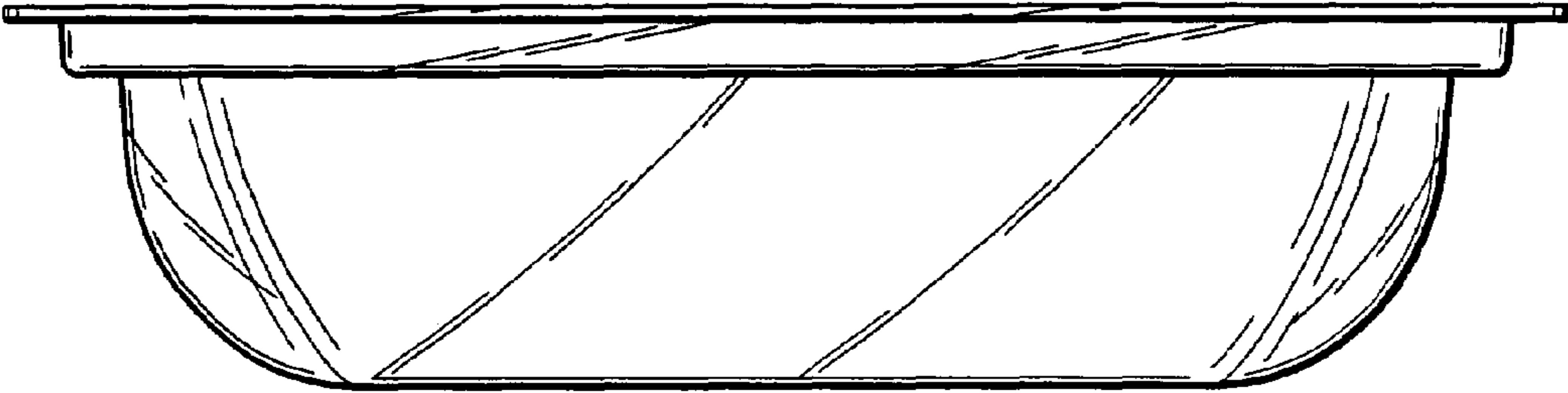


FIG. 22

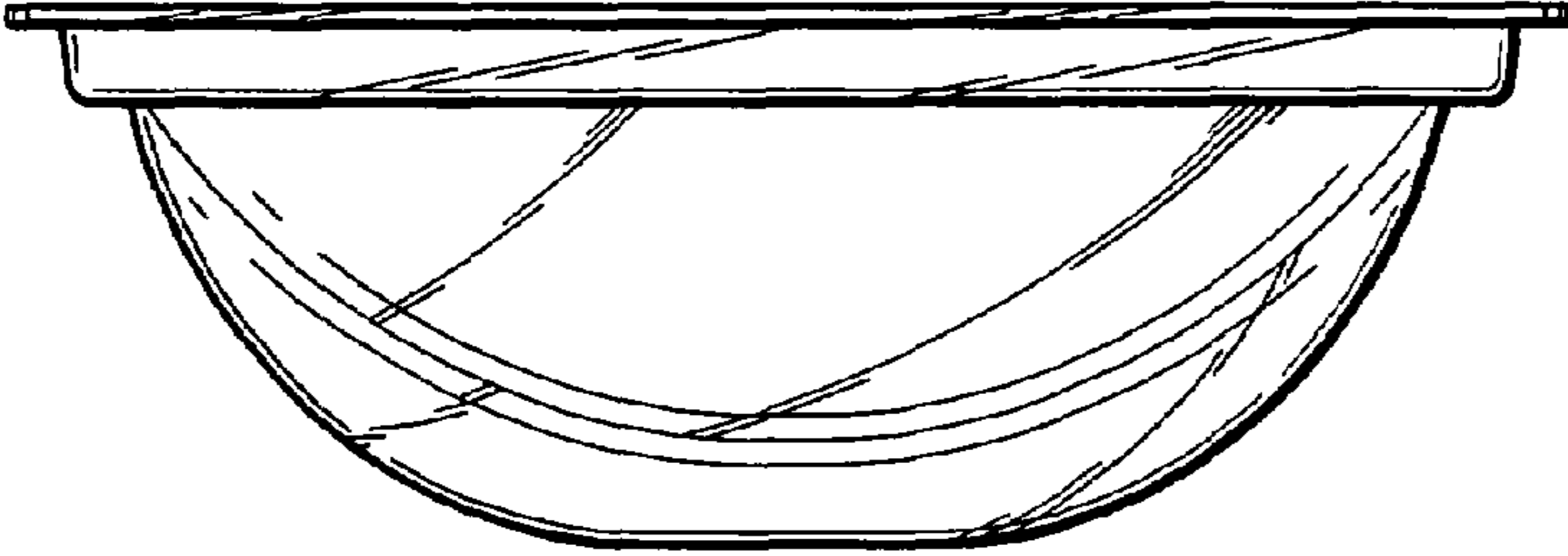


FIG. 23

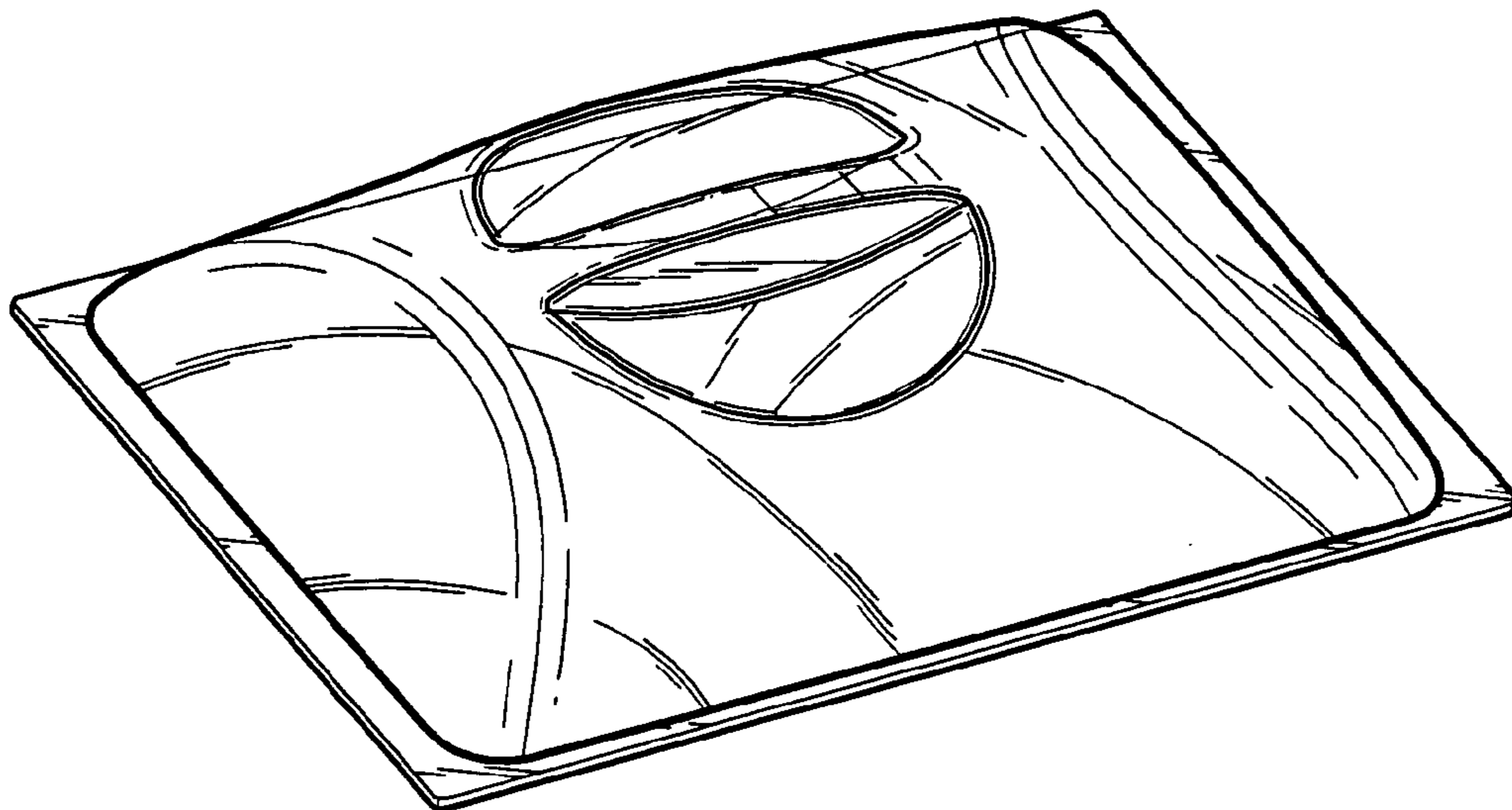


FIG. 24

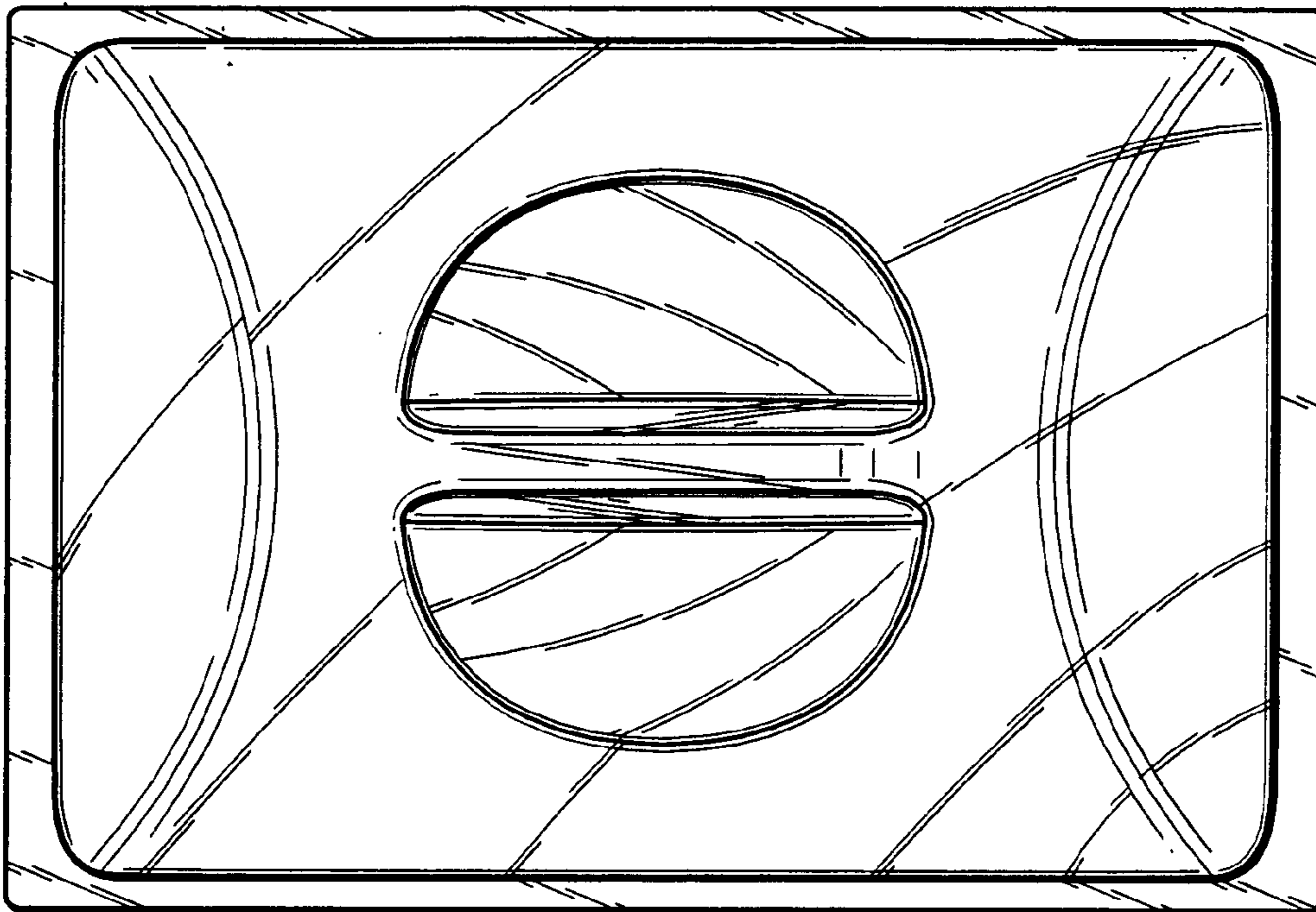


FIG. 25

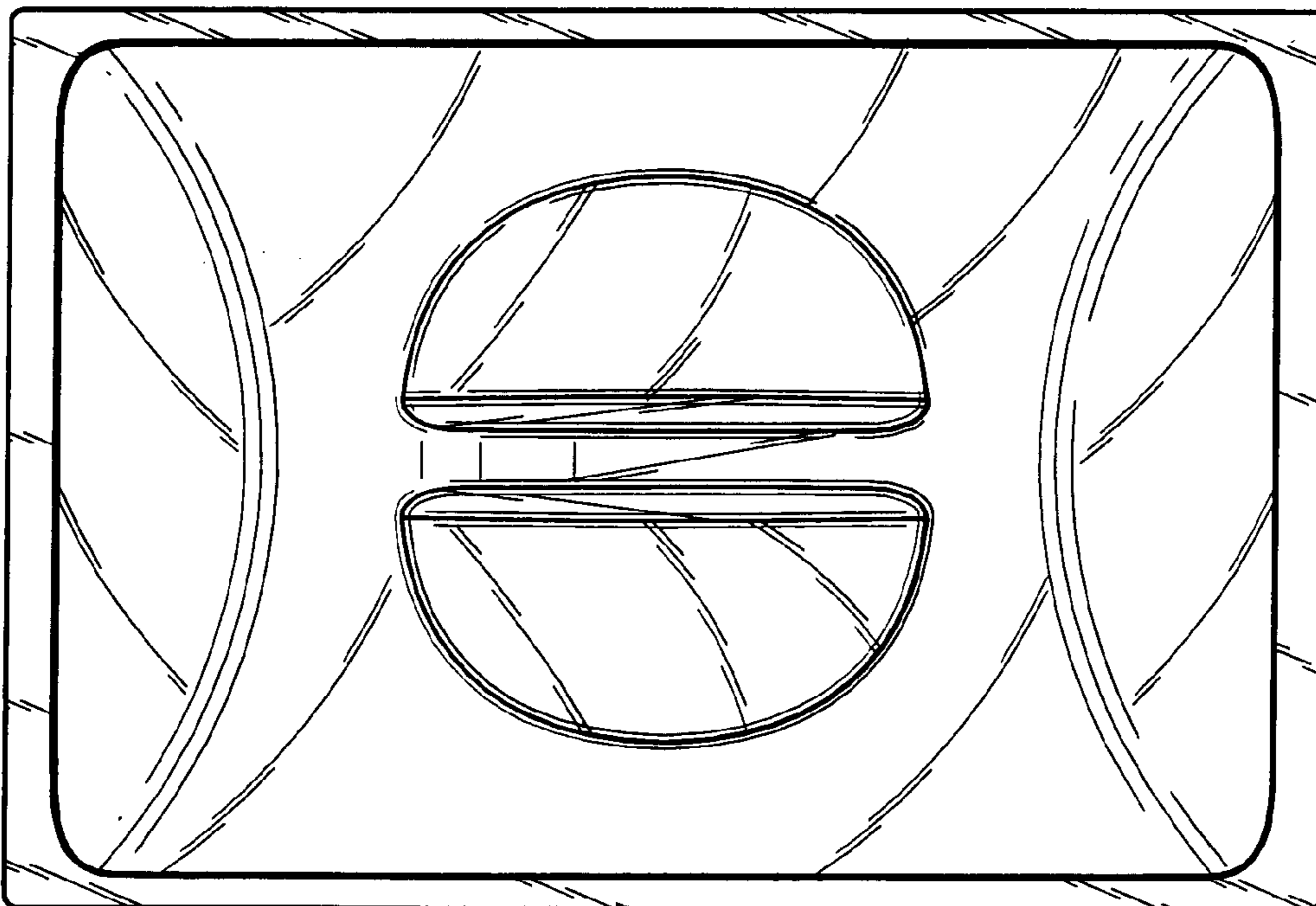


FIG. 26

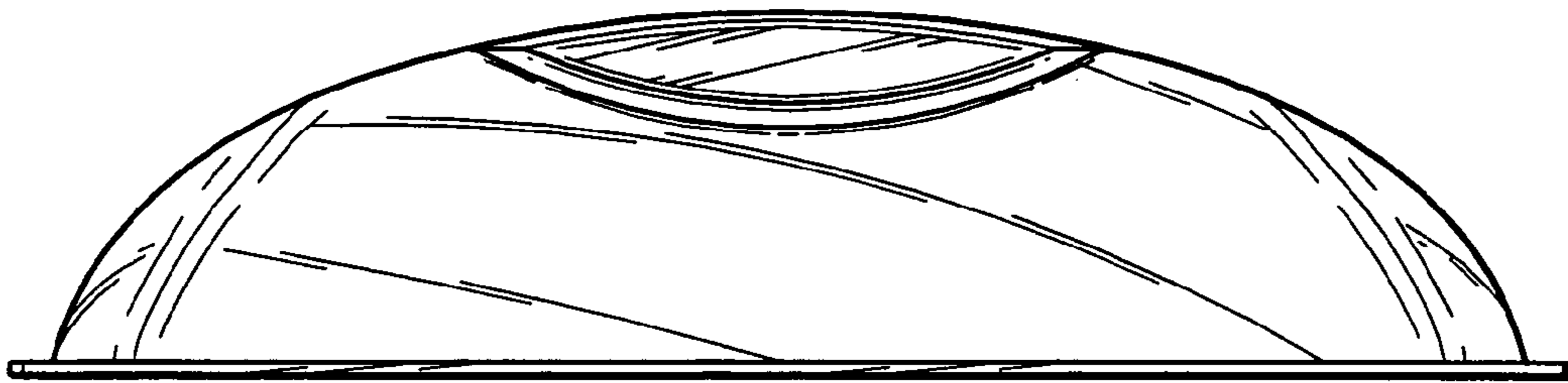


FIG. 27

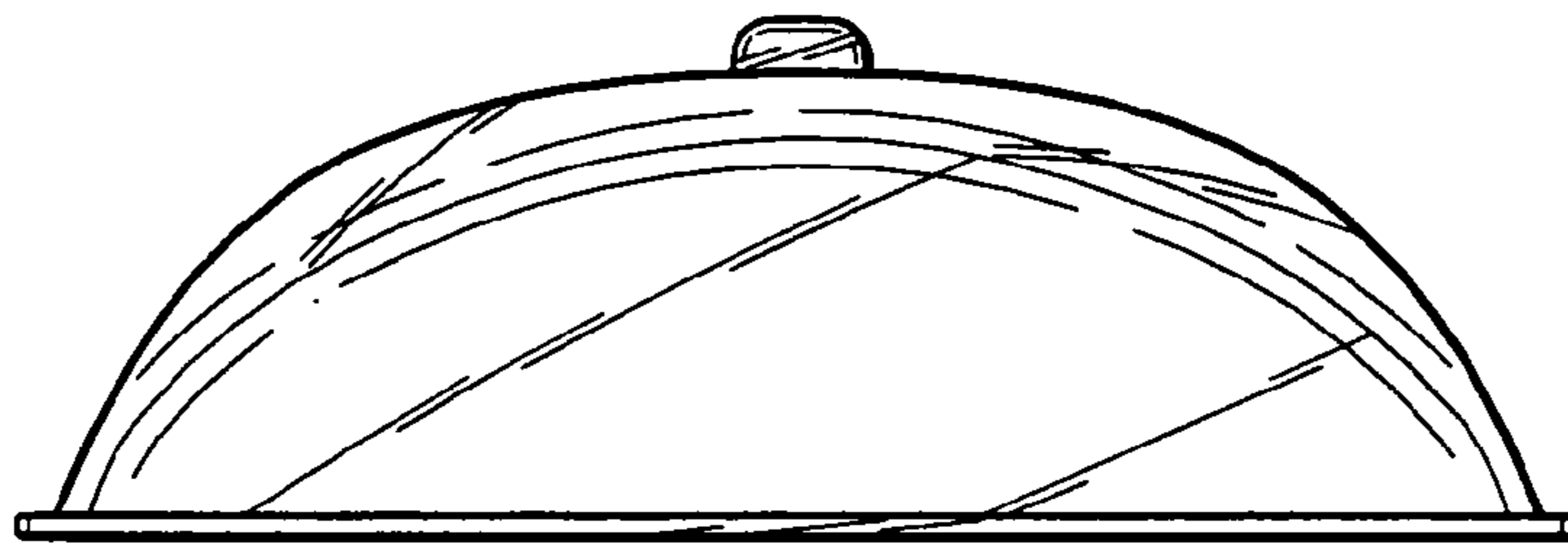


FIG. 28