



US00D601381S

(12) **United States Design Patent**
Stamper

(10) **Patent No.:** **US D601,381 S**

(45) **Date of Patent:** **** *Oct. 6, 2009**

(54) **LUNCH SET**

(75) **Inventor:** **Leonard R. Stamper**, Lake Forest, CA (US)

(73) **Assignee:** **LHS International, LLC**, Lake Forest, CA (US)

(*) **Notice:** This patent is subject to a terminal disclaimer.

(**) **Term:** **14 Years**

(21) **Appl. No.:** **29/308,446**

(22) **Filed:** **Jun. 17, 2008**

(51) **LOC (9) Cl.** **07-01**

(52) **U.S. Cl.** **D7/505; D7/538**

(58) **Field of Classification Search** D7/505, D7/507, 538, 549, 543, 550.1, 551.1, 552.2, D7/553.1, 553.2, 553.5, 554.3, 559, 558; D9/425, 418, 456, 761, 716, 717, 443; D6/406.1-406.6; 206/216, 217, 561, 565, 564; 220/318, 574.1, 220/500-507, 217, 735, 212, 556; D26/94
See application file for complete search history.

(56) **References Cited**

U.S. PATENT DOCUMENTS

D123,047	S	*	10/1940	Brooks	D28/77
3,029,969	A	*	4/1962	Werner	220/553
D209,725	S	*	12/1967	Dryer	D28/16
3,679,093	A	*	7/1972	Chang	220/574
3,704,779	A	*	12/1972	Nigg	220/556
D226,446	S	*	3/1973	Wilton	D7/507
3,955,742	A	*	5/1976	Marshall et al.	220/574
5,174,452	A	*	12/1992	Wang	206/542

D355,814	S	*	2/1995	VanValkenburg et al.	D7/629
5,443,174	A	*	8/1995	Bauer	220/212
D373,798	S	*	9/1996	Yang	D6/570
D383,806	S	*	9/1997	Yang	D21/483
5,913,450	A	*	6/1999	Runkel	220/696
D429,147	S	*	8/2000	Baker et al.	D9/717
6,412,653	B1	*	7/2002	Waterhouse	220/556
D510,502	S	*	10/2005	Tollman	D7/505
D510,503	S	*	10/2005	Tollman	D7/505
D513,979	S	*	1/2006	Snedden et al.	D9/425
7,017,774	B2	*	3/2006	Haedt	220/735
D576,449	S	*	9/2008	Boudewijns	D7/553.5

* cited by examiner

Primary Examiner—Robert M Spear

Assistant Examiner—Cynthia Underwood

(74) *Attorney, Agent, or Firm*—Curtis L. Harrington; Kathy E. Harrington; Harrington & Harrington

(57) **CLAIM**

The ornamental design for a lunch set, as shown and described.

DESCRIPTION

FIG. 1 is a perspective view of the lunch set of the invention;

FIG. 2 is a left side view;

FIG. 3 is a right side view;

FIG. 4 is a front view;

FIG. 5 is a rear view;

FIG. 6 is a top view; and,

FIG. 7 is a bottom view.

The areas within the broken lines form no part of the claim.

1 Claim, 5 Drawing Sheets

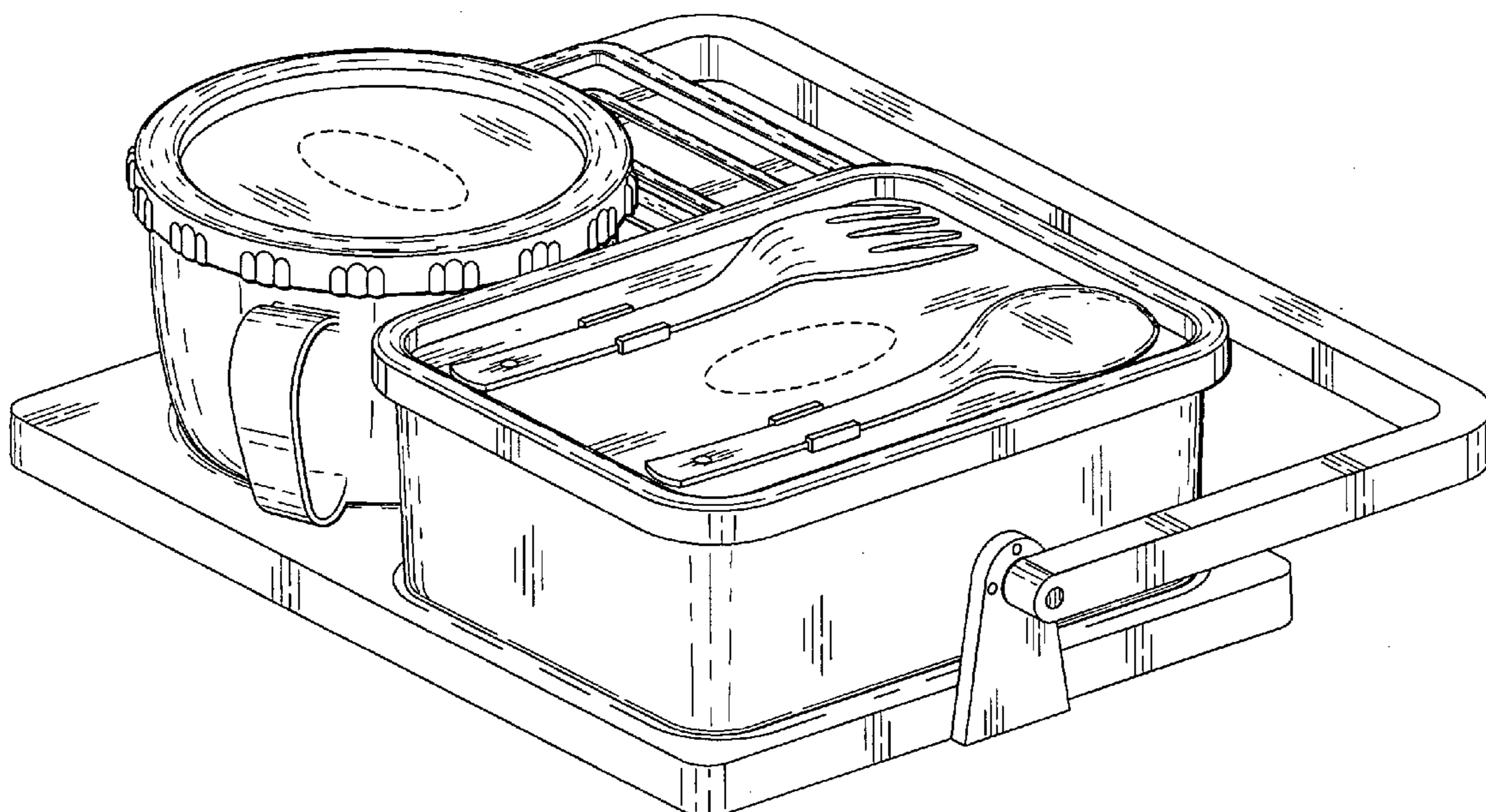


Fig. 1

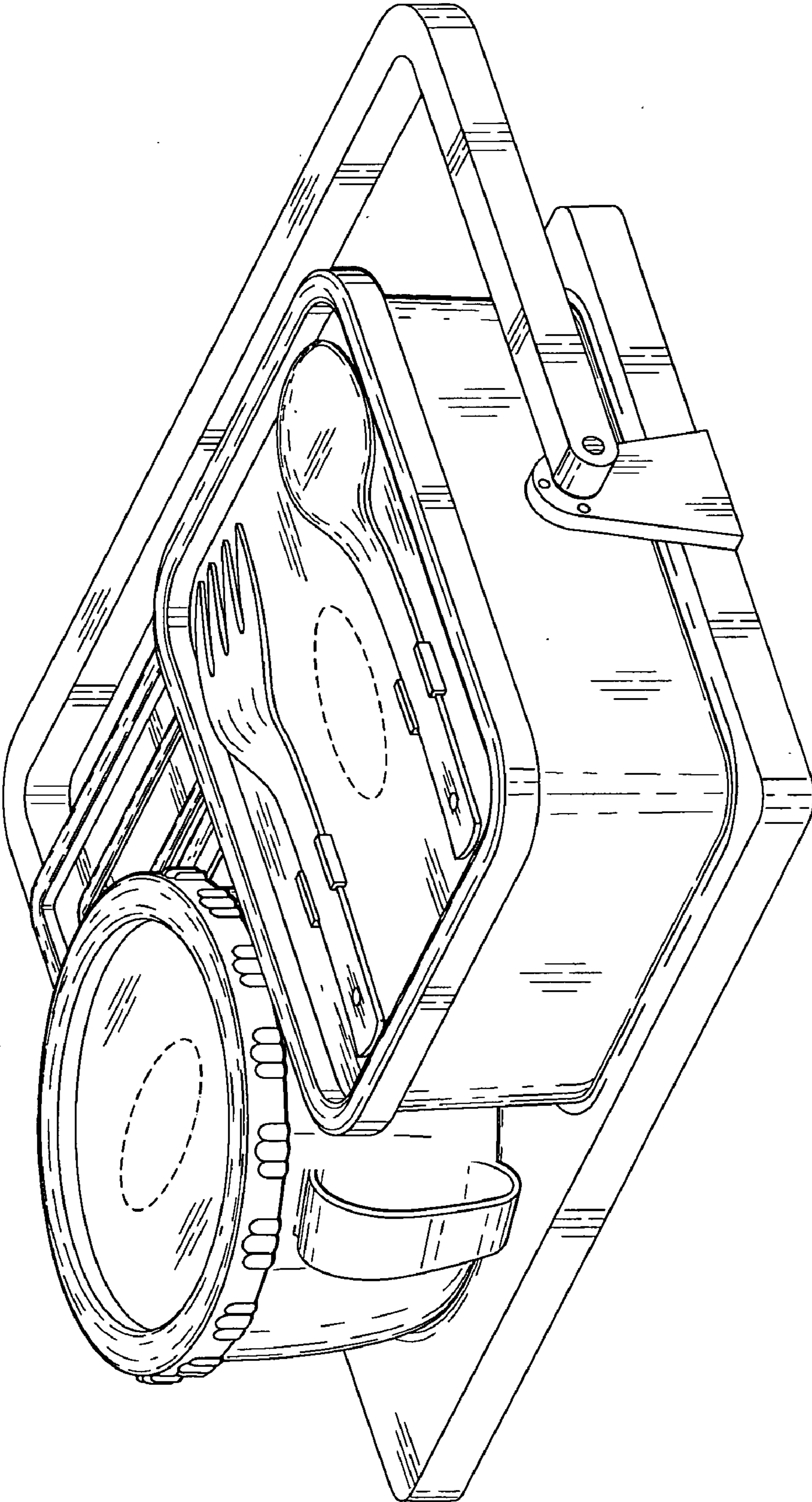


Fig. 2

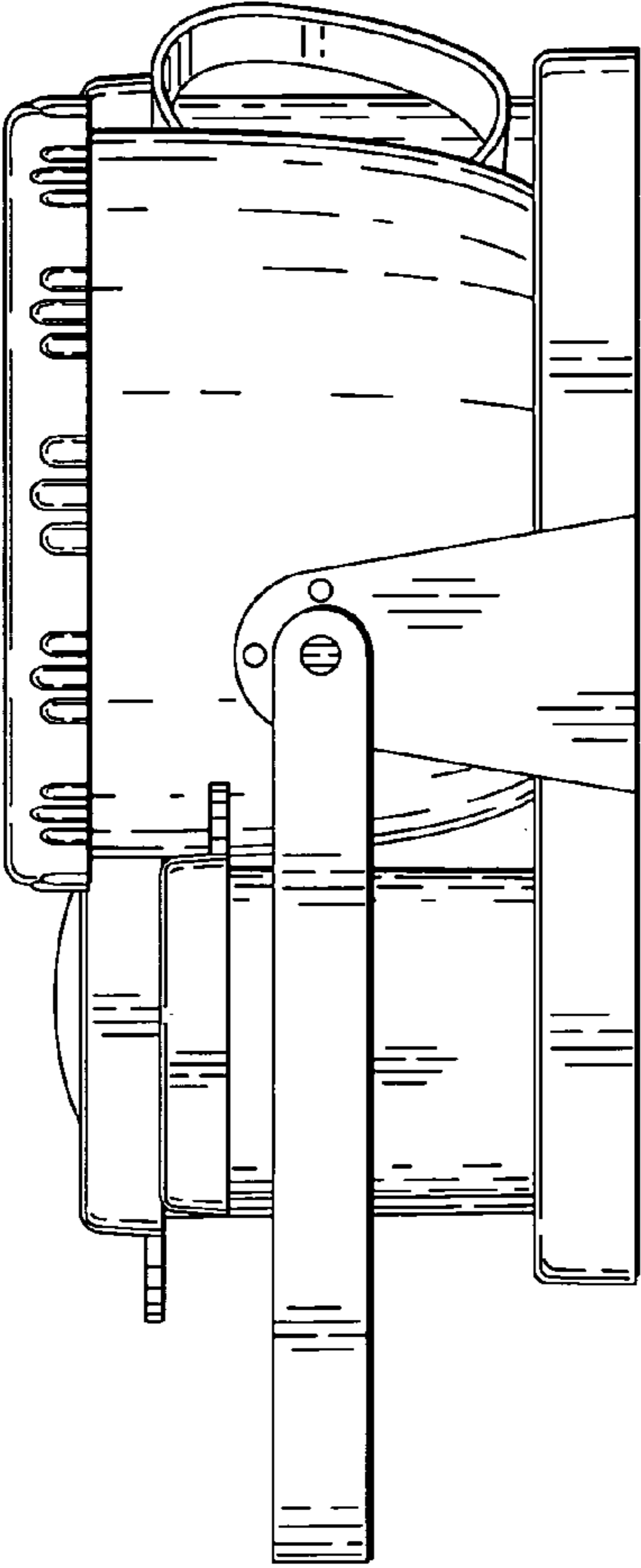


Fig. 3

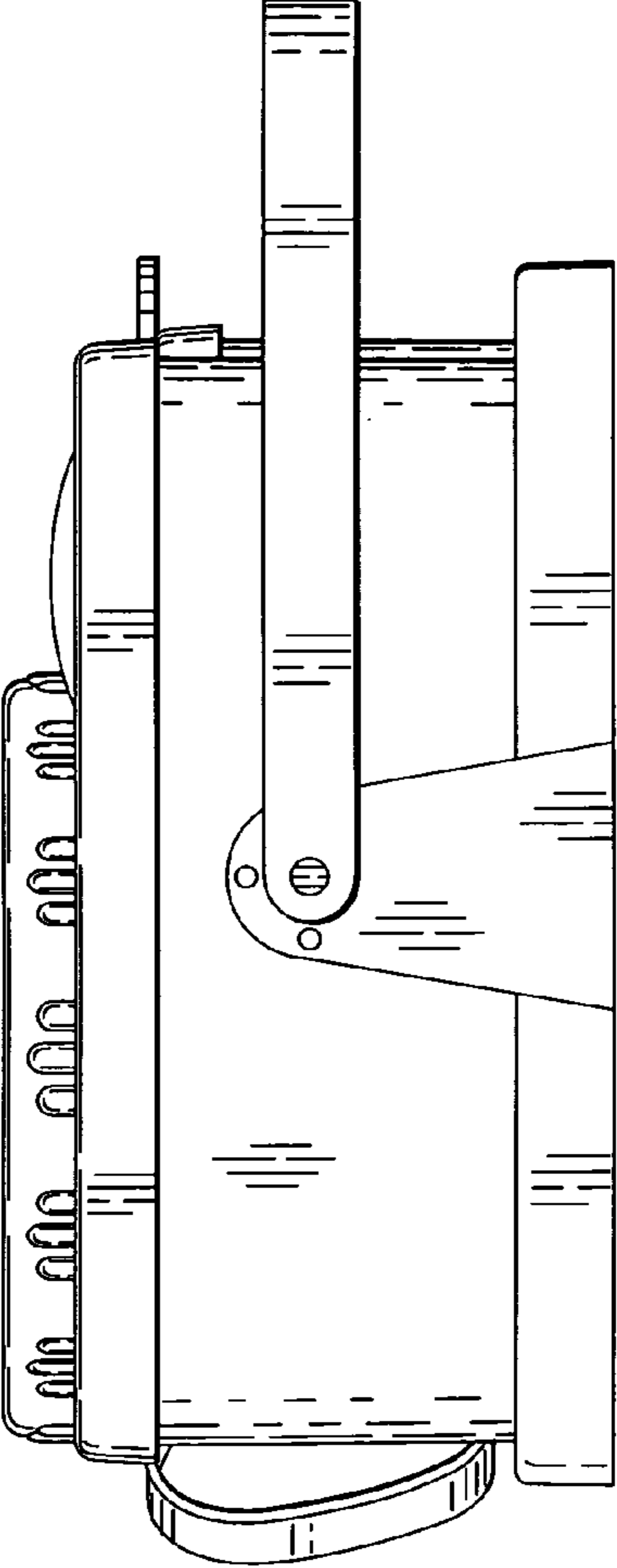


Fig. 5

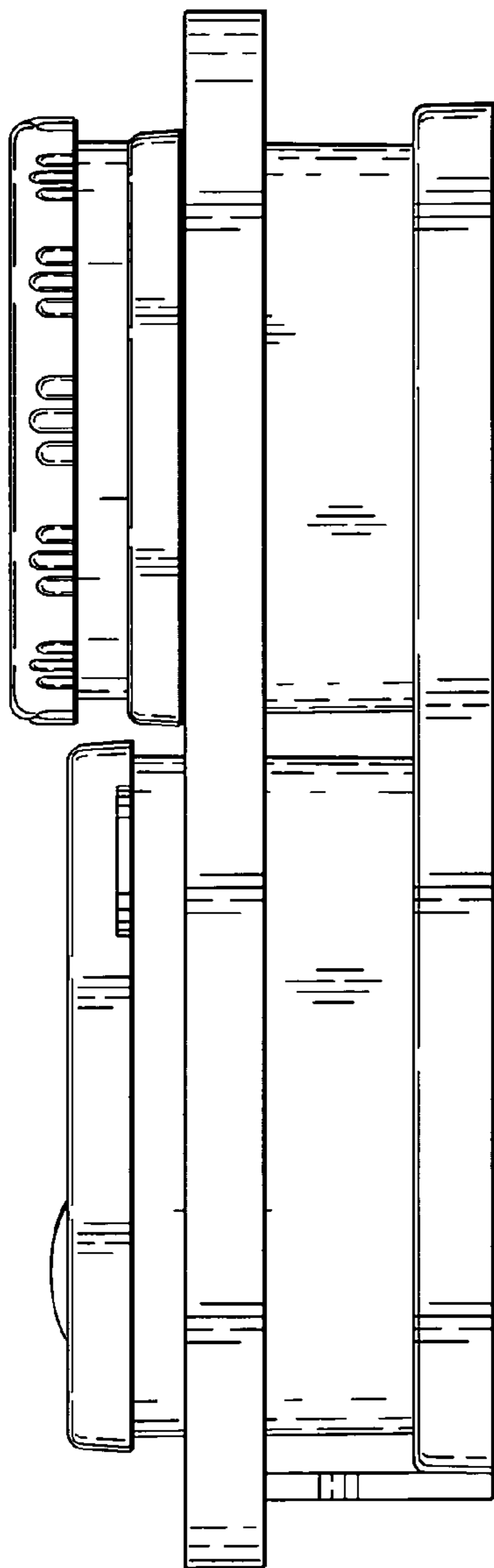
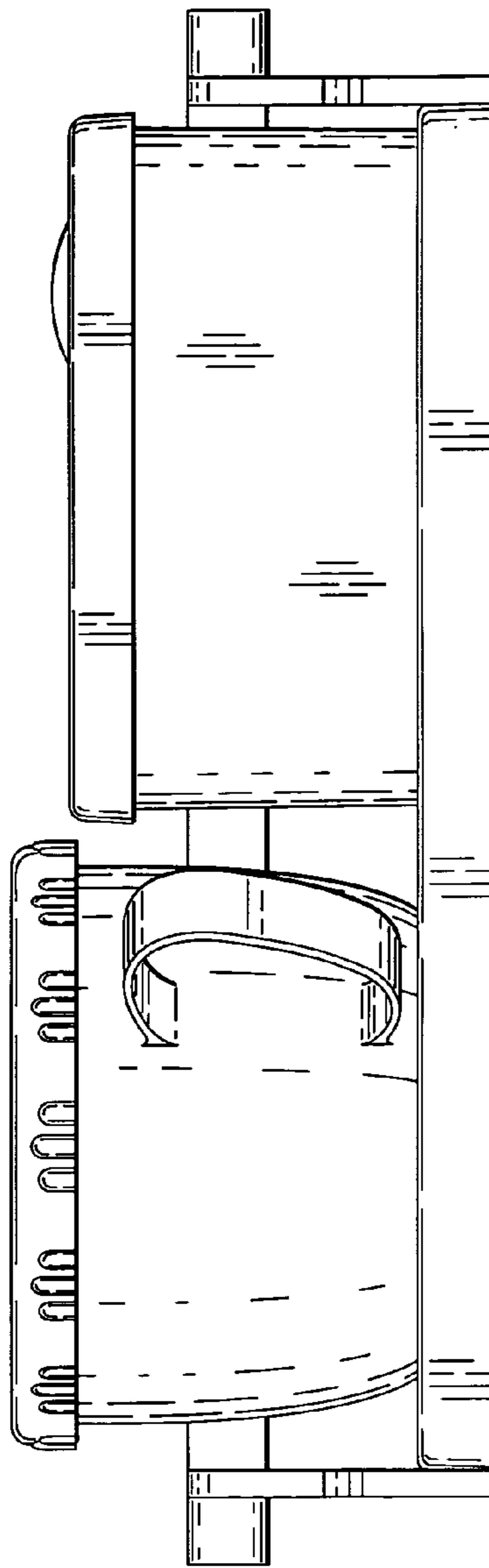


Fig. 4



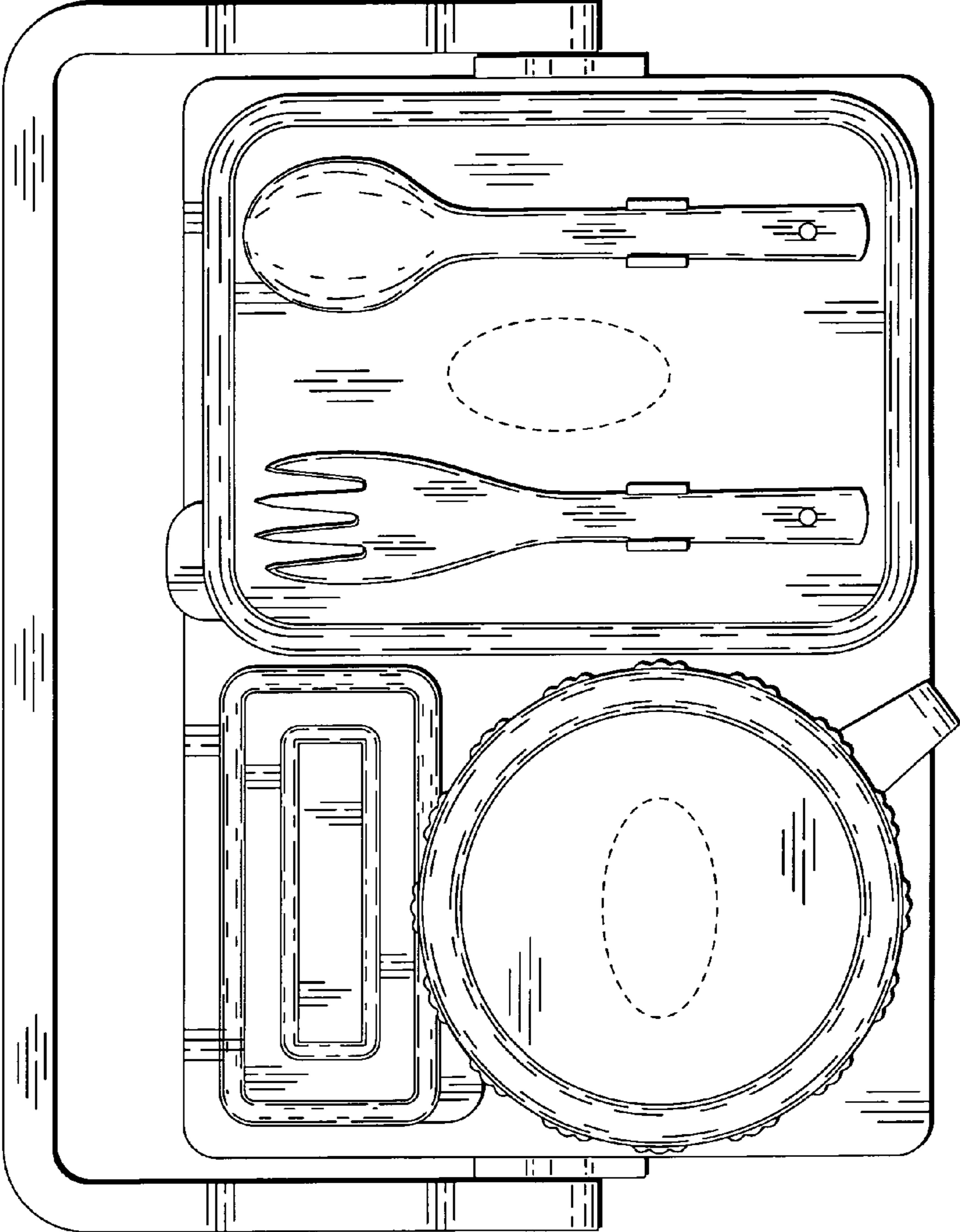


Fig. 6

Fig. 7

