



US00D601380S

(12) **United States Design Patent**
Jones et al.

(10) **Patent No.:** **US D601,380 S**
(45) **Date of Patent:** **** Oct. 6, 2009**

(54) **BEVERAGE DISPENSER DOOR**

(75) Inventors: **Craig Jones**, Leicester (GB); **Jonathan Ashbridge**, Leicester (GB)

(73) Assignee: **Societe des Produits Nestle S.A.**, Vevey (CH)

(**) Term: **14 Years**

(21) Appl. No.: **29/306,309**

(22) Filed: **Apr. 7, 2008**

(30) **Foreign Application Priority Data**

Nov. 26, 2007 (CH) 134529

(51) **LOC (9) Cl.** **07-99**

(52) **U.S. Cl.** **D7/397; D7/306; D7/311**

(58) **Field of Classification Search** D7/397,
D7/398, 300, 306-311, 301, 406; 99/300,
99/294; 222/146.6

See application file for complete search history.

(56) **References Cited**

U.S. PATENT DOCUMENTS

D327,803 S *	7/1992	Gianelli	D7/308
D369,937 S *	5/1996	Guadalupi	D7/300
D413,756 S *	9/1999	van der Veen	D7/306
D449,955 S *	11/2001	Leverrier	D7/309
D461,675 S *	8/2002	Kemper et al.	D7/307
D514,369 S *	2/2006	Littmann	D7/309
D530,139 S *	10/2006	Lin	D7/309
D551,013 S *	9/2007	Jones	D7/309
D551,901 S *	10/2007	Hulett et al.	D7/399
D563,142 S *	3/2008	Kauer	D7/306

D564,288 S *	3/2008	Collins	D7/393
D583,608 S *	12/2008	Kato	D7/306
D586,171 S *	2/2009	Picozza et al.	D7/309

* cited by examiner

Primary Examiner—Marianne Pandozzi

(74) *Attorney, Agent, or Firm*—K&L Gates LLP

(57) **CLAIM**

We claim the ornamental design for a beverage dispenser door, as shown and described herein.

DESCRIPTION

FIG. 1 is a left front perspective view of a beverage dispenser door showing our new design;

FIG. 2 illustrates a right front perspective view of the beverage dispenser door of FIG. 1;

FIG. 3 illustrates a left side elevation view of the beverage dispenser door of FIG. 1;

FIG. 4 illustrates a front elevation view of the beverage dispenser door of FIG. 1;

FIG. 5 illustrates a right side elevation view of the beverage dispenser door of FIG. 1;

FIG. 6 illustrates a rear elevation view of the beverage dispenser door of FIG. 1; and,

FIG. 7 illustrates a top view of the beverage dispenser door of FIG. 1.

The broken line showing of the rest of the beverage dispenser is included for the purpose of illustration and forms no part of the claimed design.

1 Claim, 7 Drawing Sheets

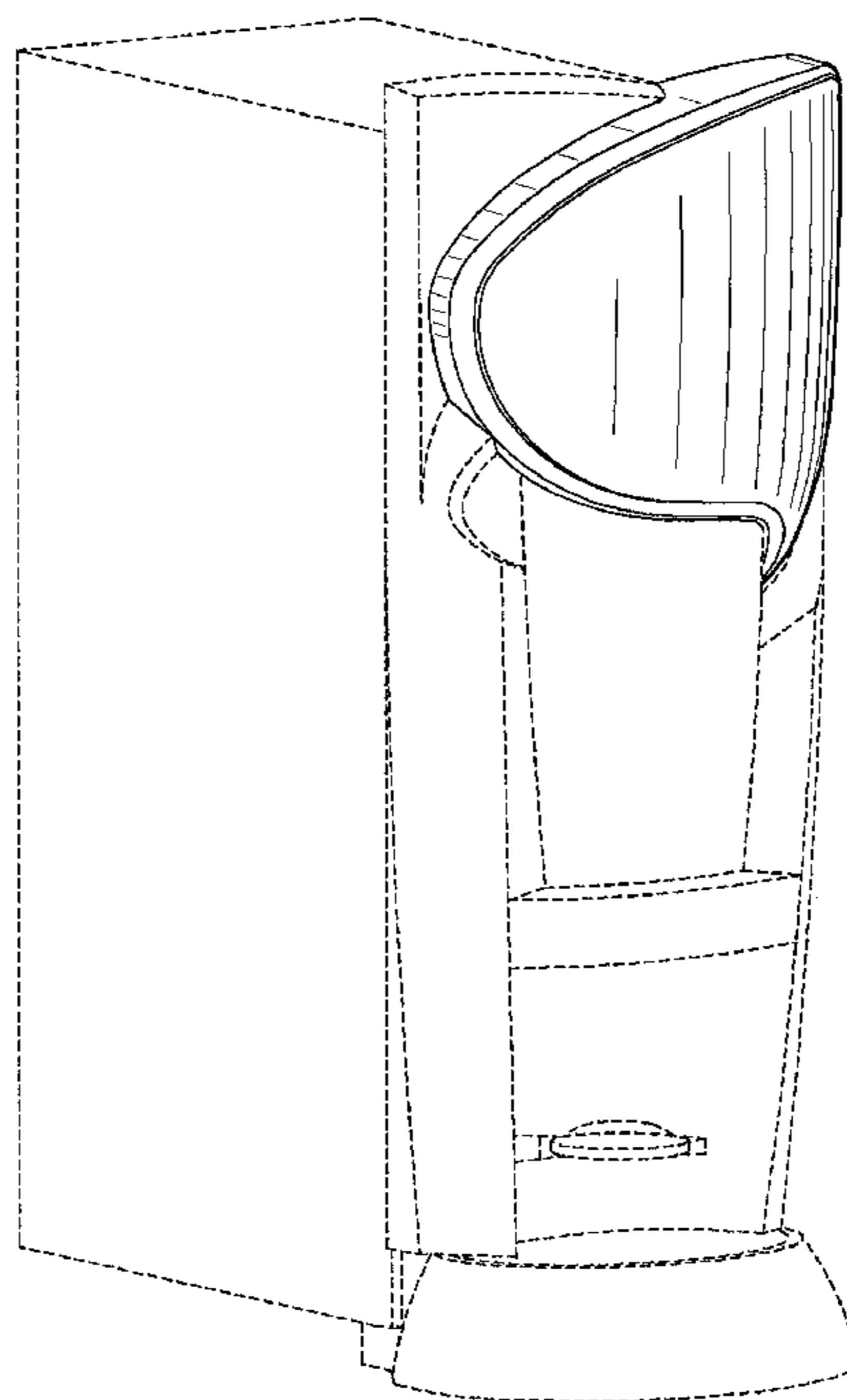


FIG. 1

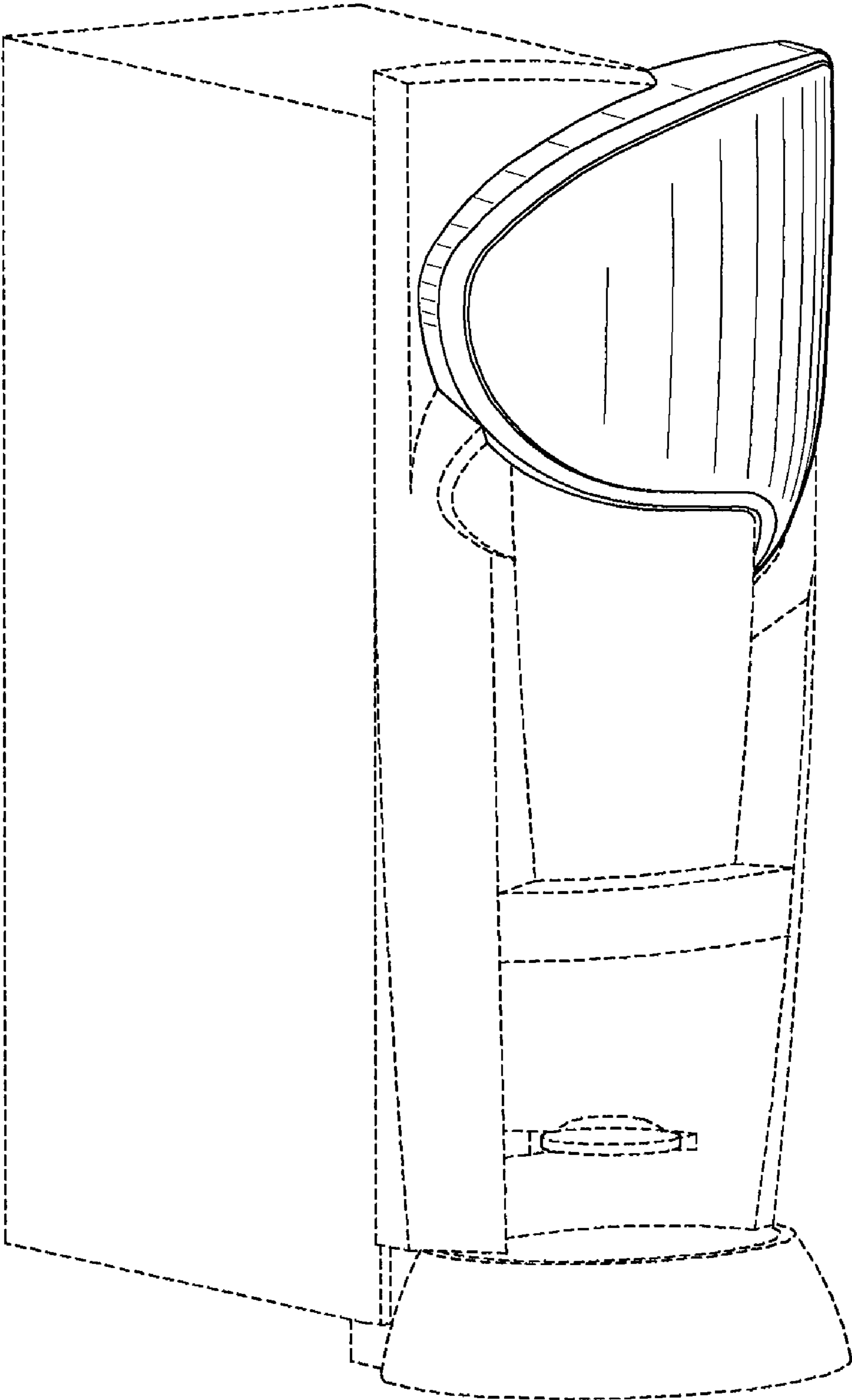


FIG. 2

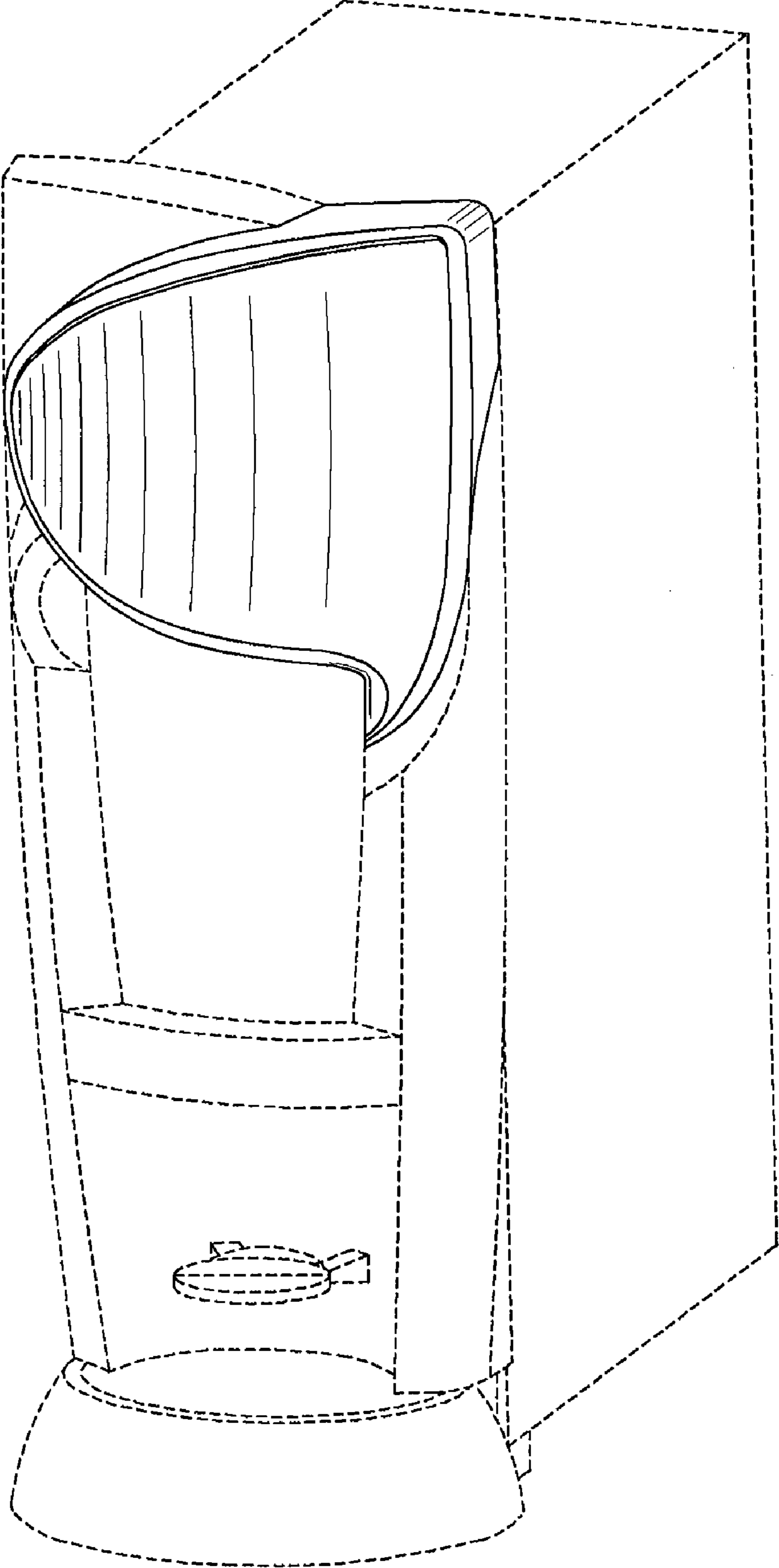


FIG. 3

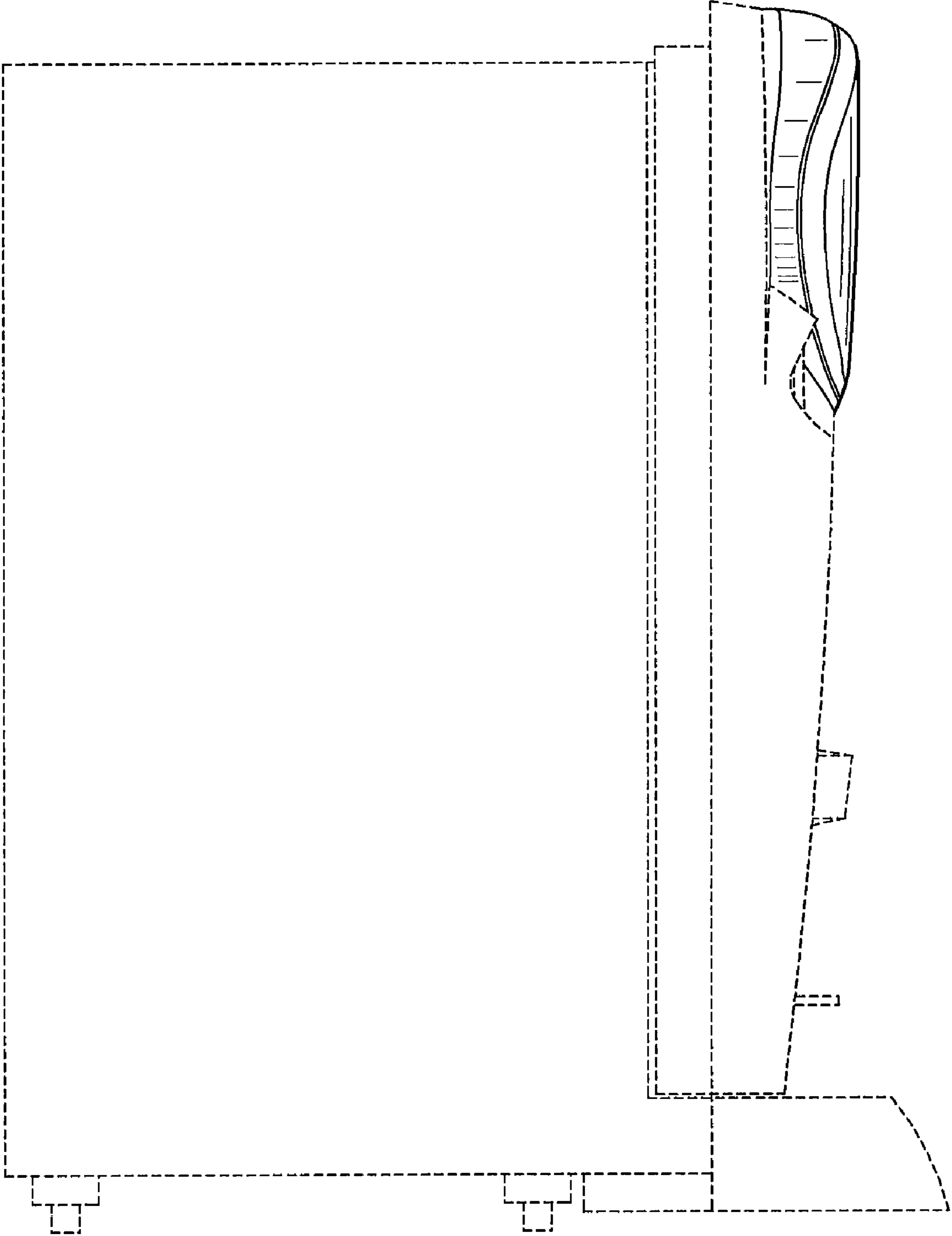


FIG. 4

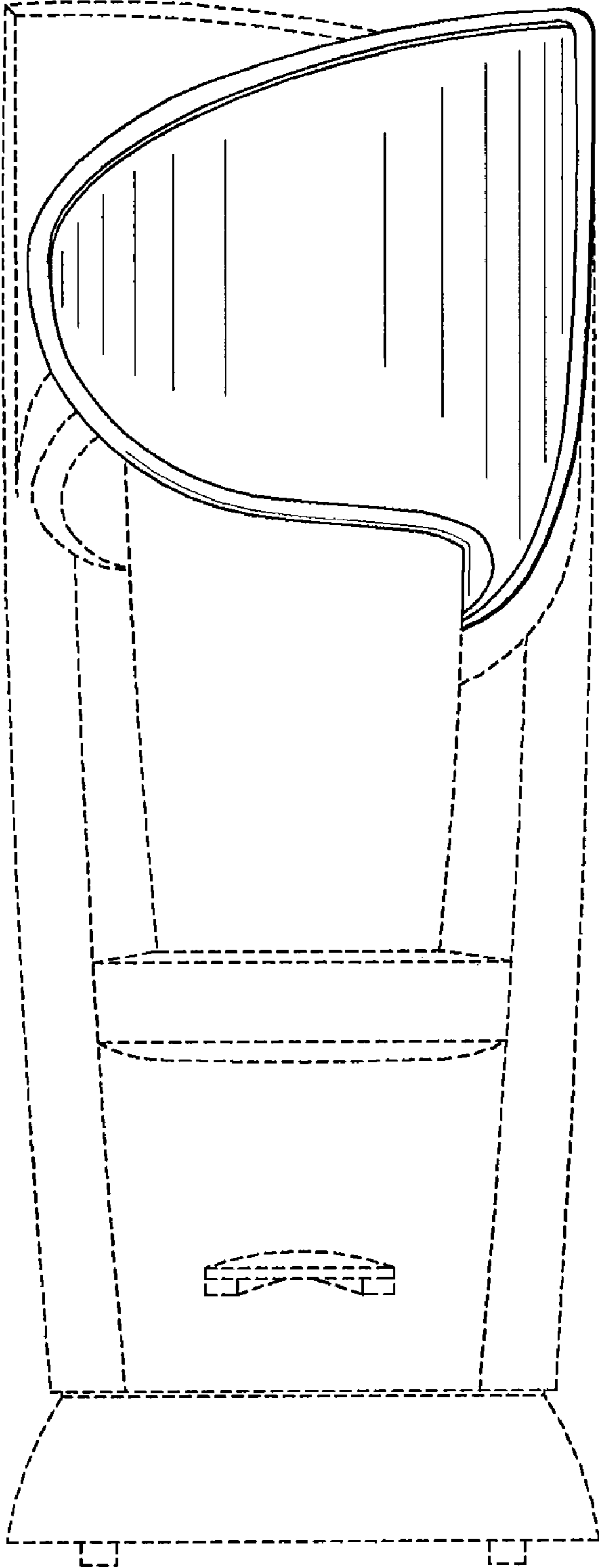


FIG. 5

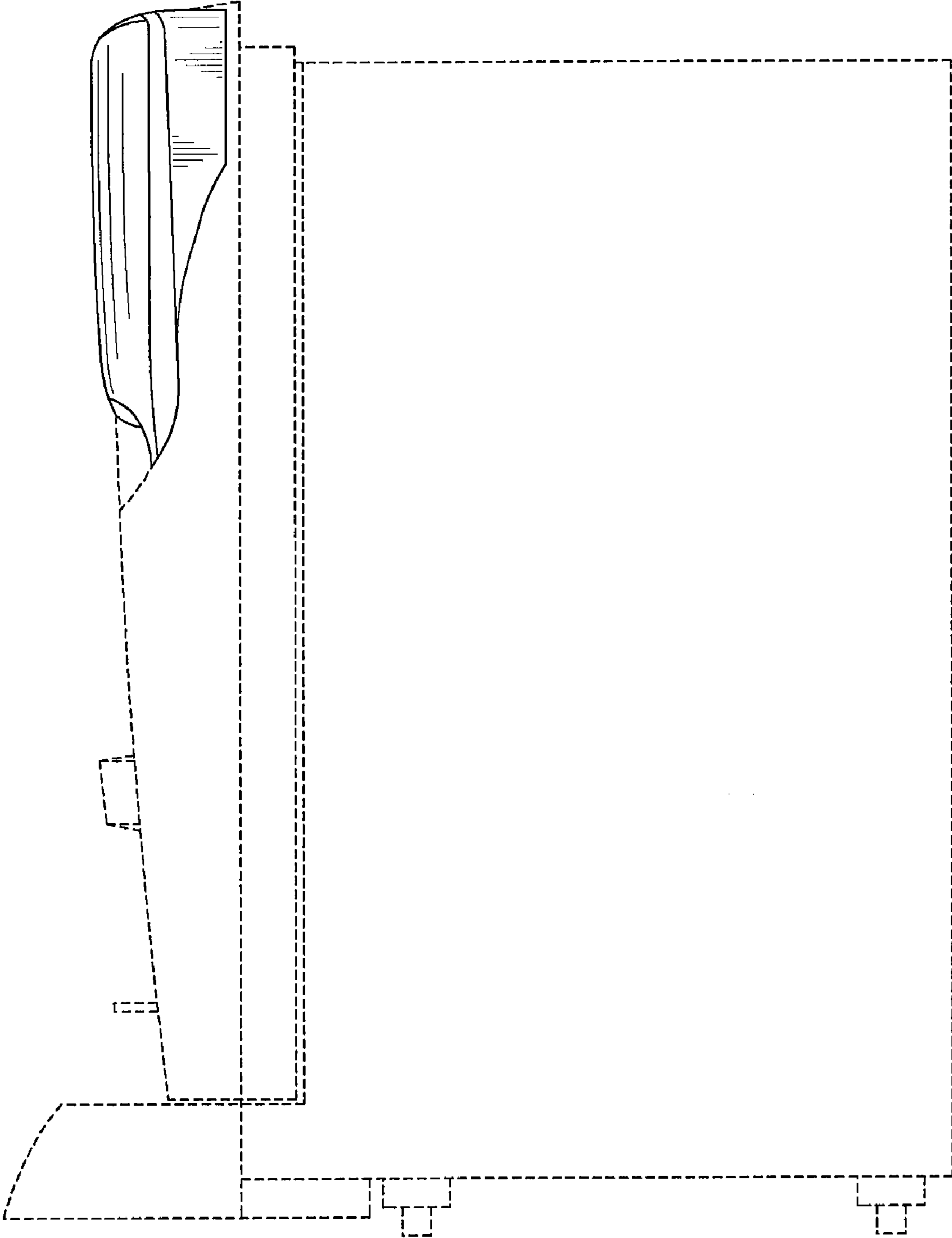


FIG. 6

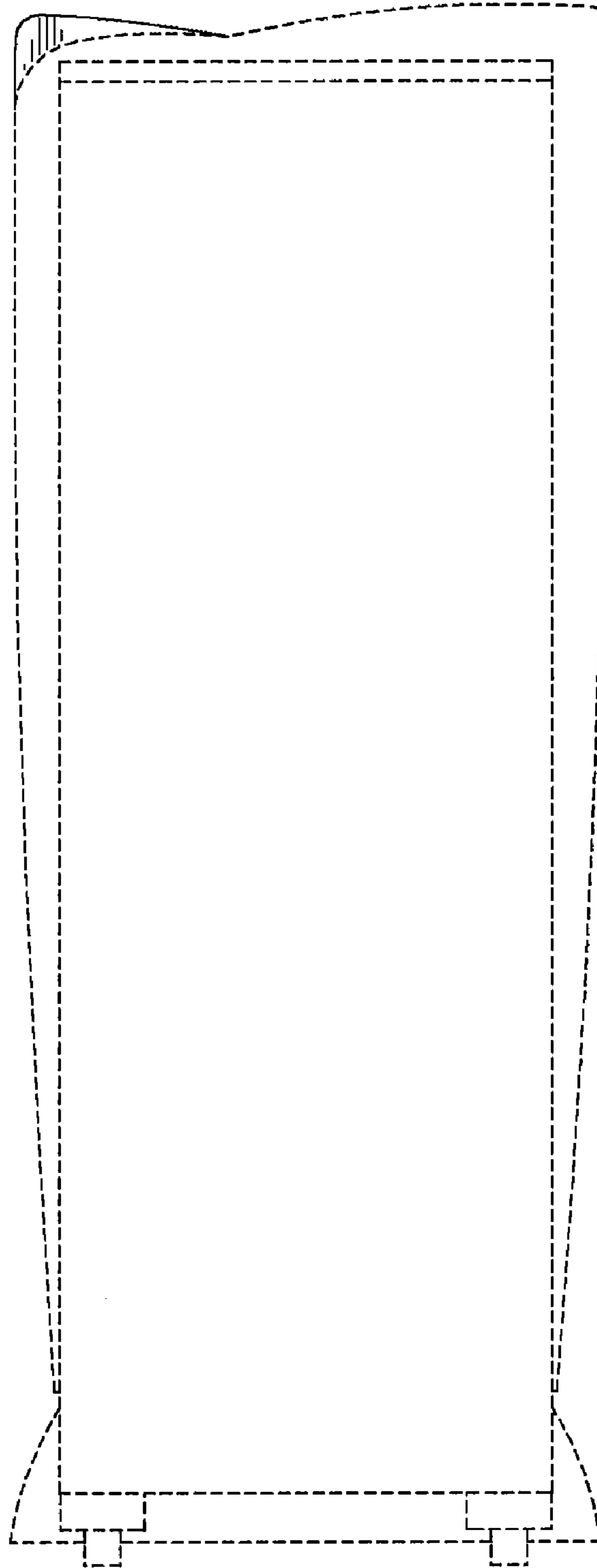


FIG. 7

