



US00D601379S

(12) **United States Design Patent**  
**De Leo**

(10) **Patent No.:** **US D601,379 S**  
(45) **Date of Patent:** **\*\* Oct. 6, 2009**

(54) **CUPCAKE HOLDER**

(75) Inventor: **Anthony M. De Leo**, Comstock Park,  
MI (US)  
(73) Assignee: **Dart Industries Inc.**, Orlando, FL (US)  
(\*\*) Term: **14 Years**  
(21) Appl. No.: **29/312,606**  
(22) Filed: **Nov. 3, 2008**

(51) **LOC (9) Cl.** ..... **07-02**  
(52) **U.S. Cl.** ..... **D7/354**  
(58) **Field of Classification Search** ..... D1/101-105,  
D1/116-118, 122; D7/323, 354-361, 400,  
D7/402, 511, 515, 523, 531, 554.1-554.2,  
D7/565-566, 628, 667; D9/428-429, 617,  
D9/643; D23/367; D25/7; 220/671-673;  
426/115

See application file for complete search history.

(56) **References Cited**

**U.S. PATENT DOCUMENTS**

2,588,957 A 3/1952 Brown  
D174,352 S 3/1955 Schaefer  
D200,806 S 4/1965 Pava  
3,292,840 A 12/1966 Schmidt  
D229,924 S \* 1/1974 Brown ..... D25/7  
4,273,249 A 6/1981 Florian  
D287,336 S 12/1986 Roehrig  
4,795,033 A 1/1989 Duffy  
D322,402 S \* 12/1991 Budzbanowski ..... D9/428  
D398,135 S \* 9/1998 Binias ..... D1/101  
D404,535 S \* 1/1999 Binias ..... D1/101  
5,858,428 A \* 1/1999 Truscillo et al. .... 426/115

D420,440 S \* 2/2000 El-Assir ..... D23/367  
D442,834 S \* 5/2001 Perez ..... D7/628  
D478,785 S 8/2003 Rorke et al.  
6,896,140 B1 5/2005 Perry  
D506,351 S \* 6/2005 Scholze et al. .... D7/360  
D521,872 S \* 5/2006 Wu ..... D9/643  
D540,663 S 4/2007 Tanner  
2004/0251162 A1 12/2004 McGinnis et al.

**OTHER PUBLICATIONS**

Cup-A-Cake LLC; Cup-A-Cake® cupcake container; 2008 (two pages taken from www.cupacake.com website).

\* cited by examiner

*Primary Examiner*—Joel Sincavage  
*Assistant Examiner*—Ricky Pham  
(74) *Attorney, Agent, or Firm*—John A. Doninger

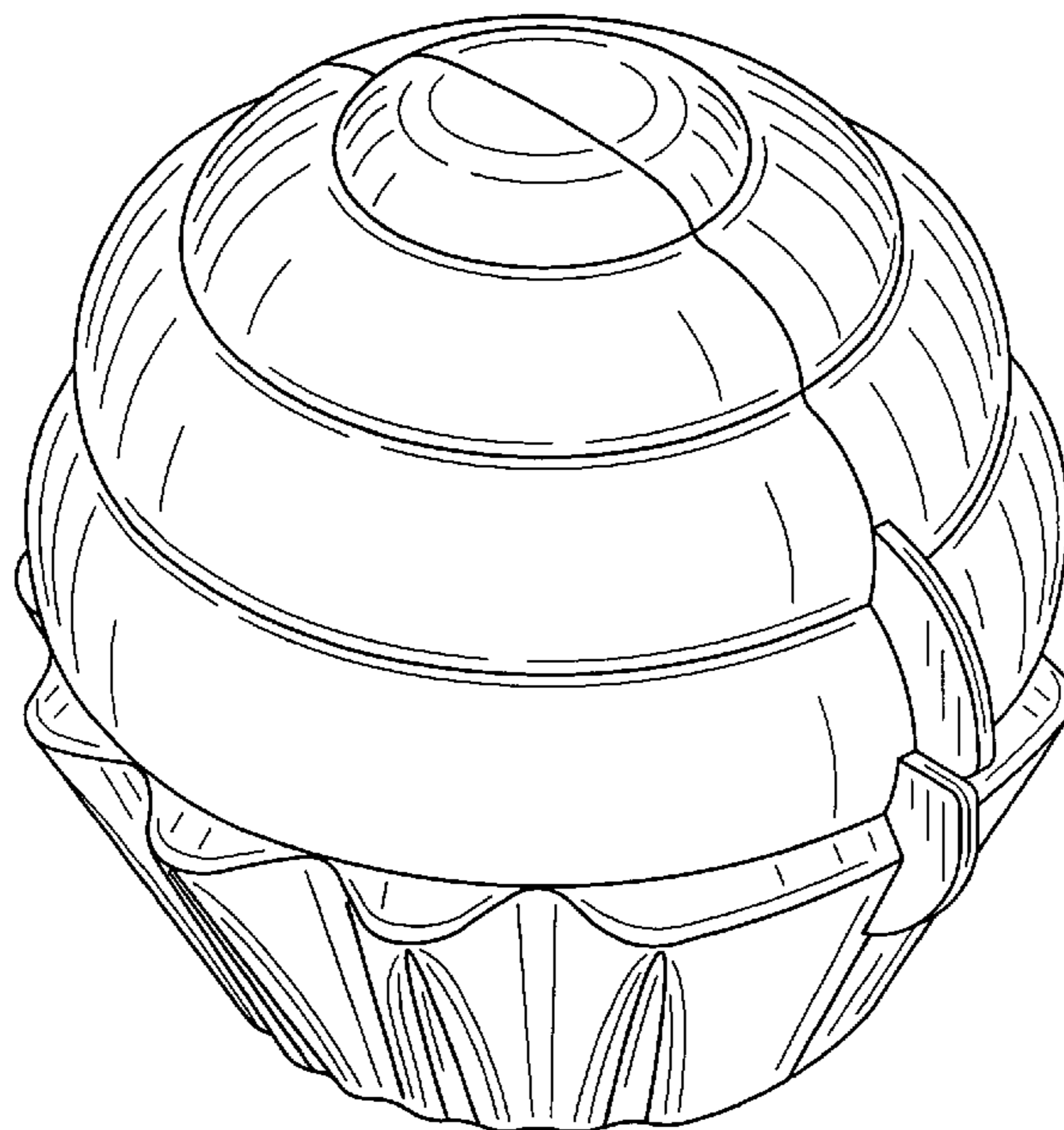
(57) **CLAIM**

The ornamental design for a cupcake holder, as shown and described.

**DESCRIPTION**

FIG. 1 is a top, side and front perspective view of a cupcake holder showing my new design;  
FIG. 2 is a front elevation view thereof;  
FIG. 3 is a rear elevation view thereof;  
FIG. 4 is a right side elevation view thereof;  
FIG. 5 is a left side elevation view thereof;  
FIG. 6 is a top plan view thereof;  
FIG. 7 is a bottom plan view thereof; and,  
FIG. 8 is a bottom, side and rear perspective view thereof.

**1 Claim, 5 Drawing Sheets**



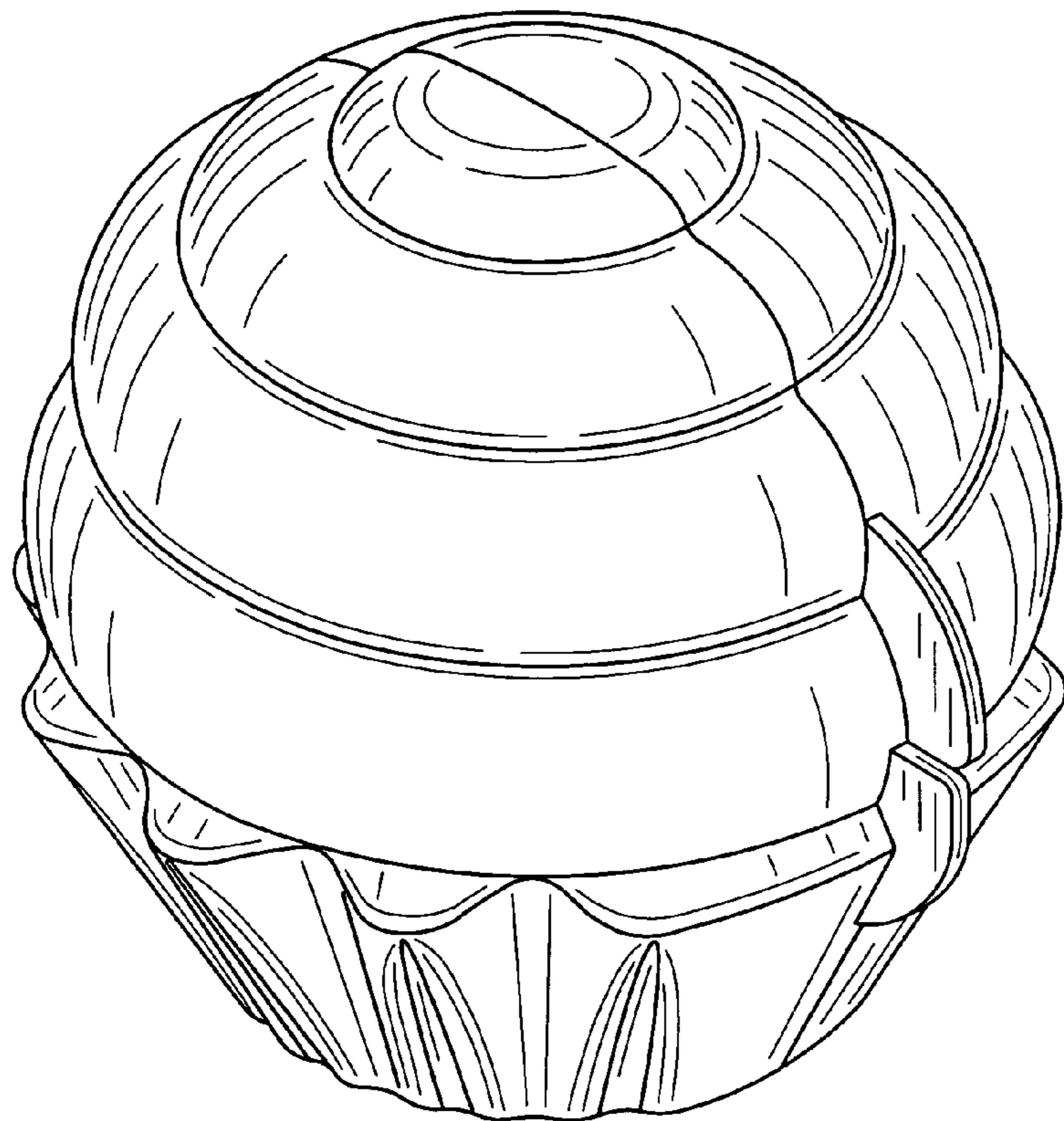


FIG. 1

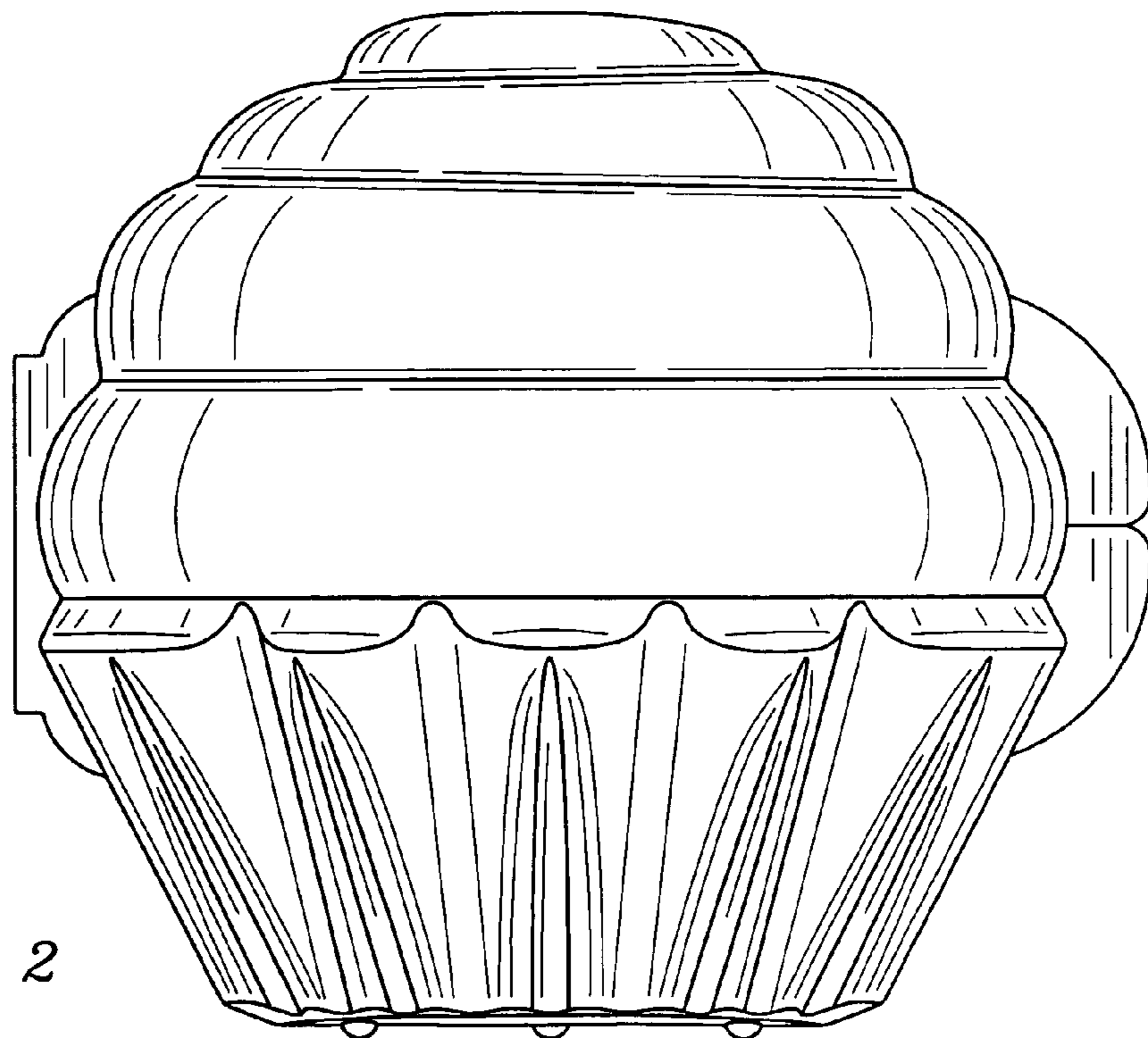


FIG. 2

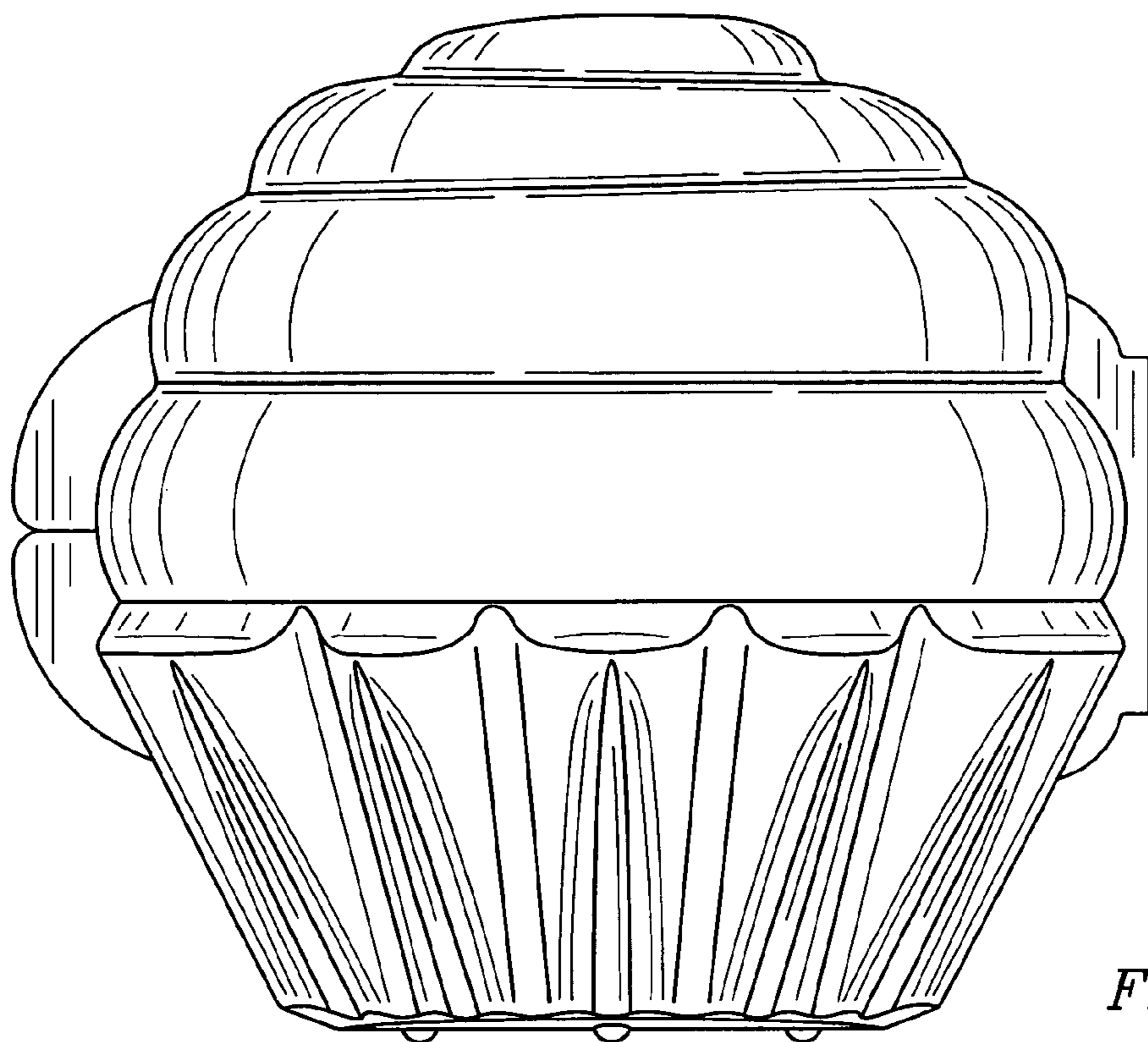


FIG. 3

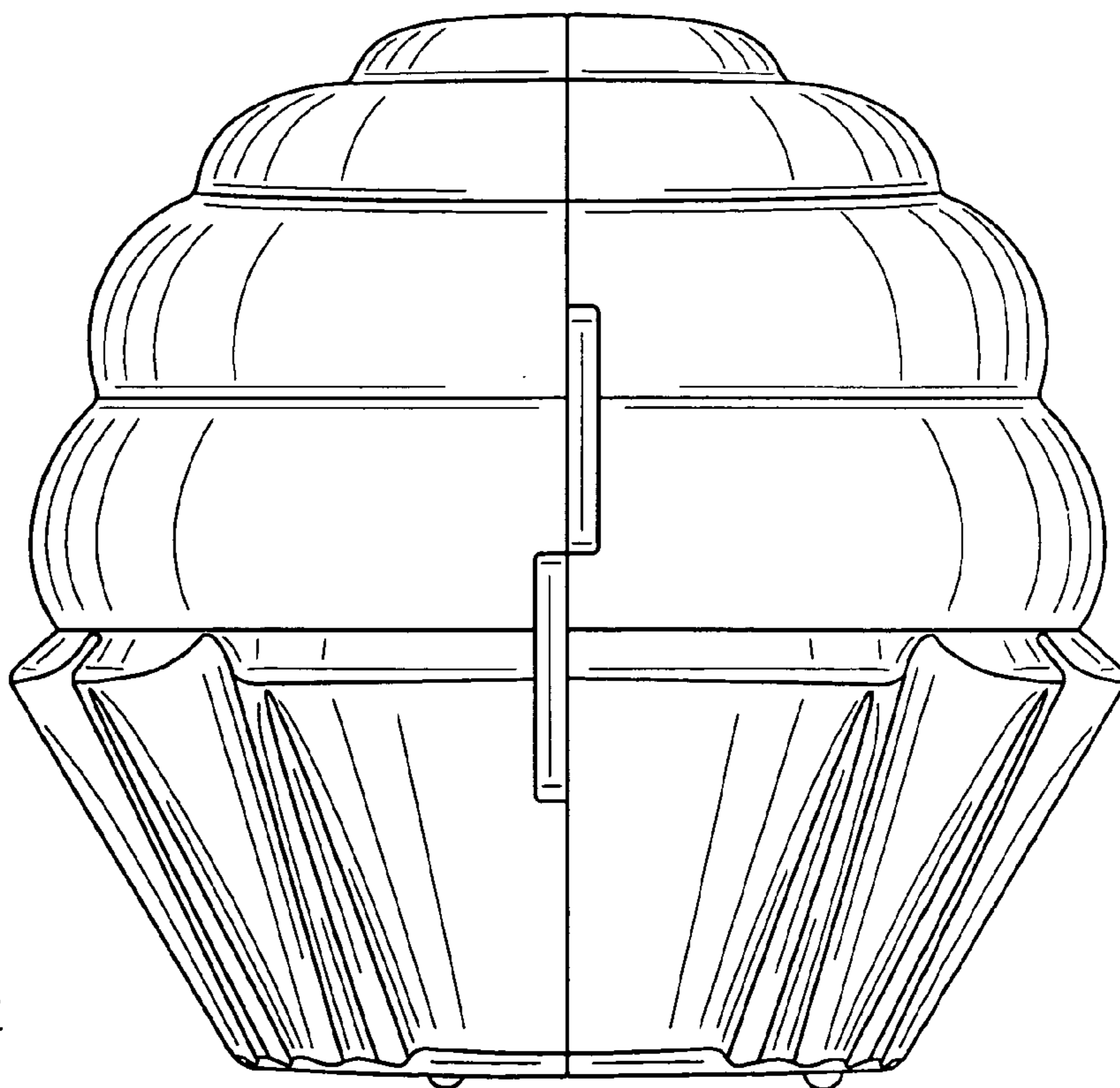


FIG. 4

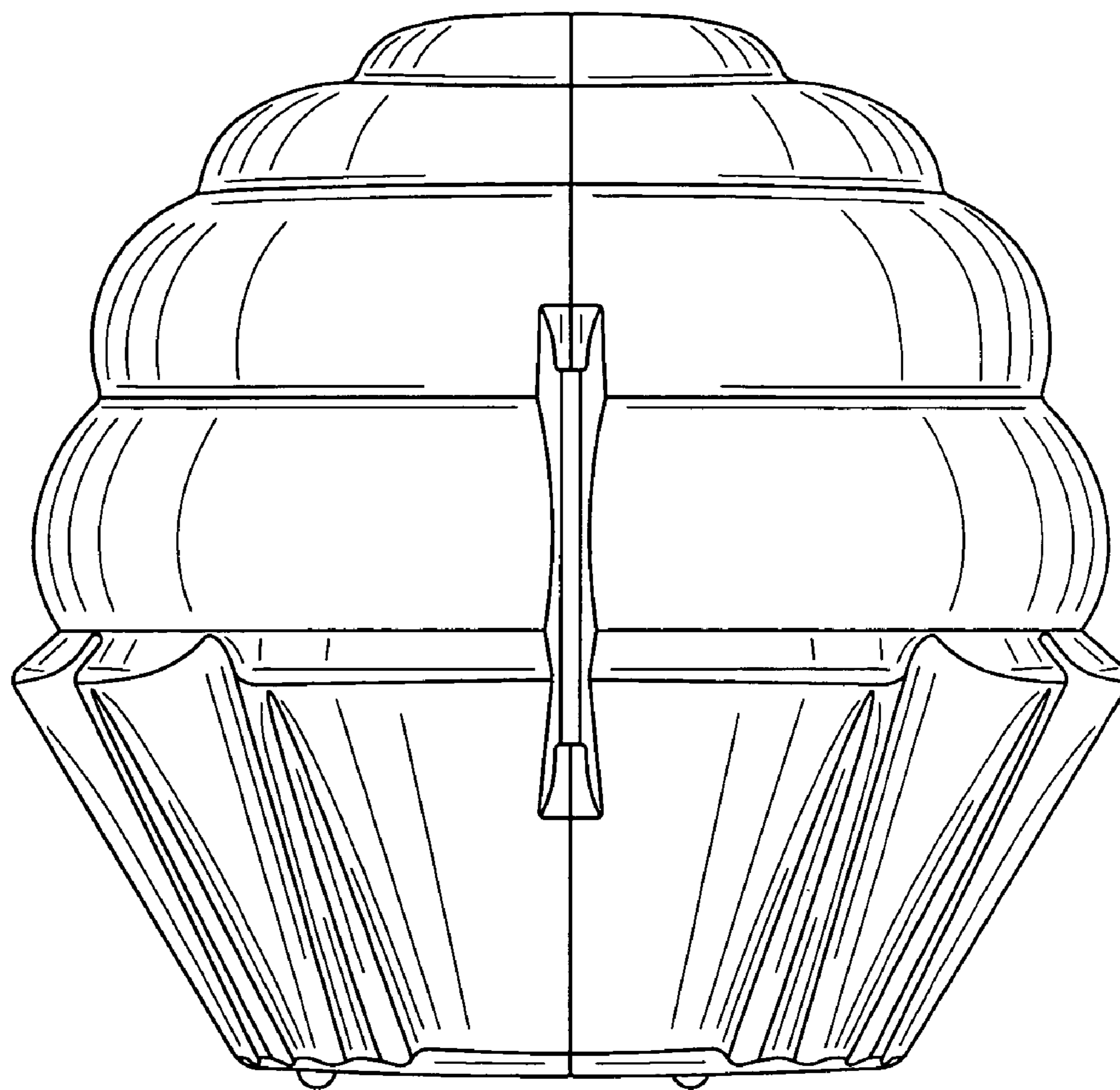


FIG. 5

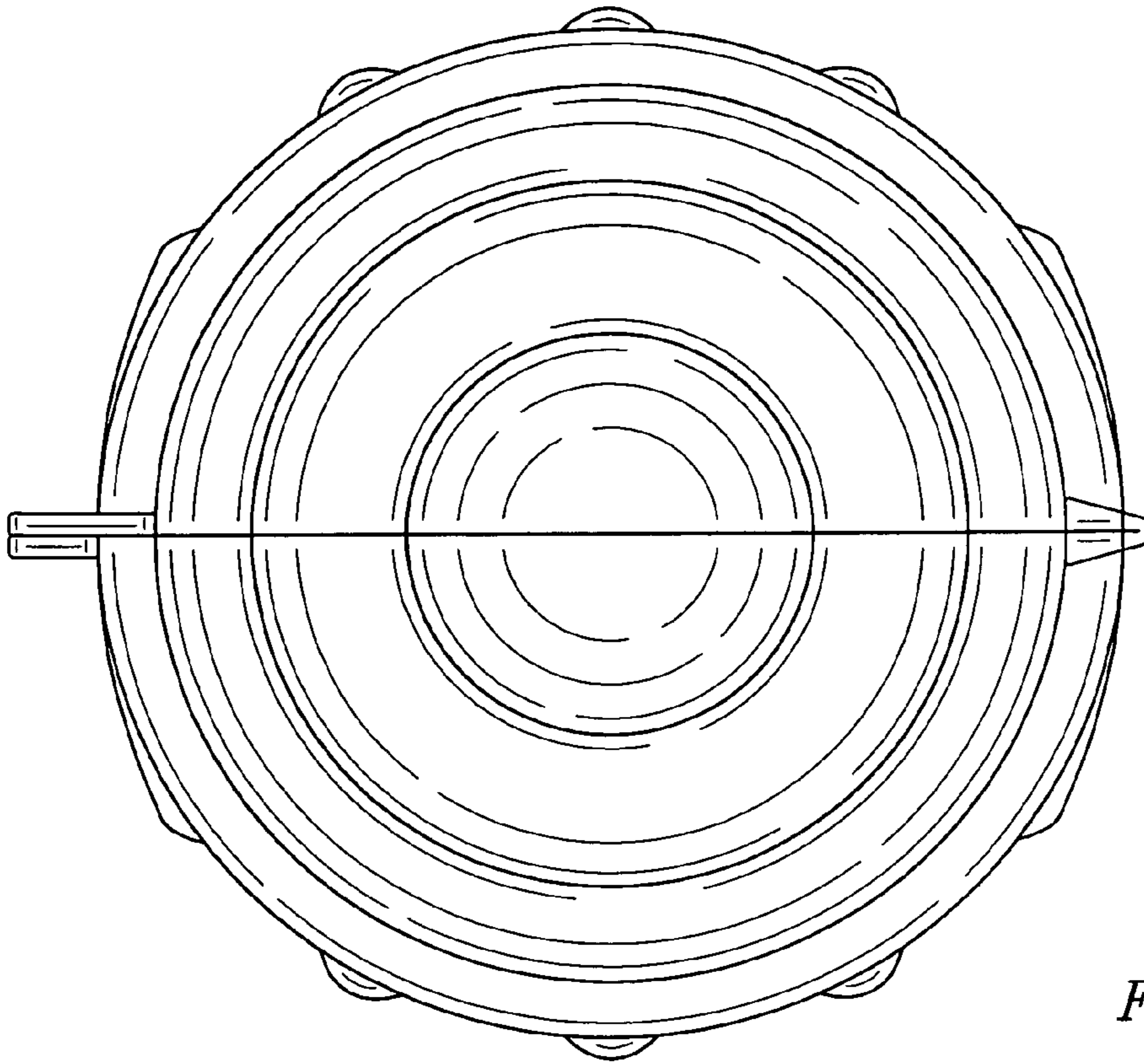


FIG. 6

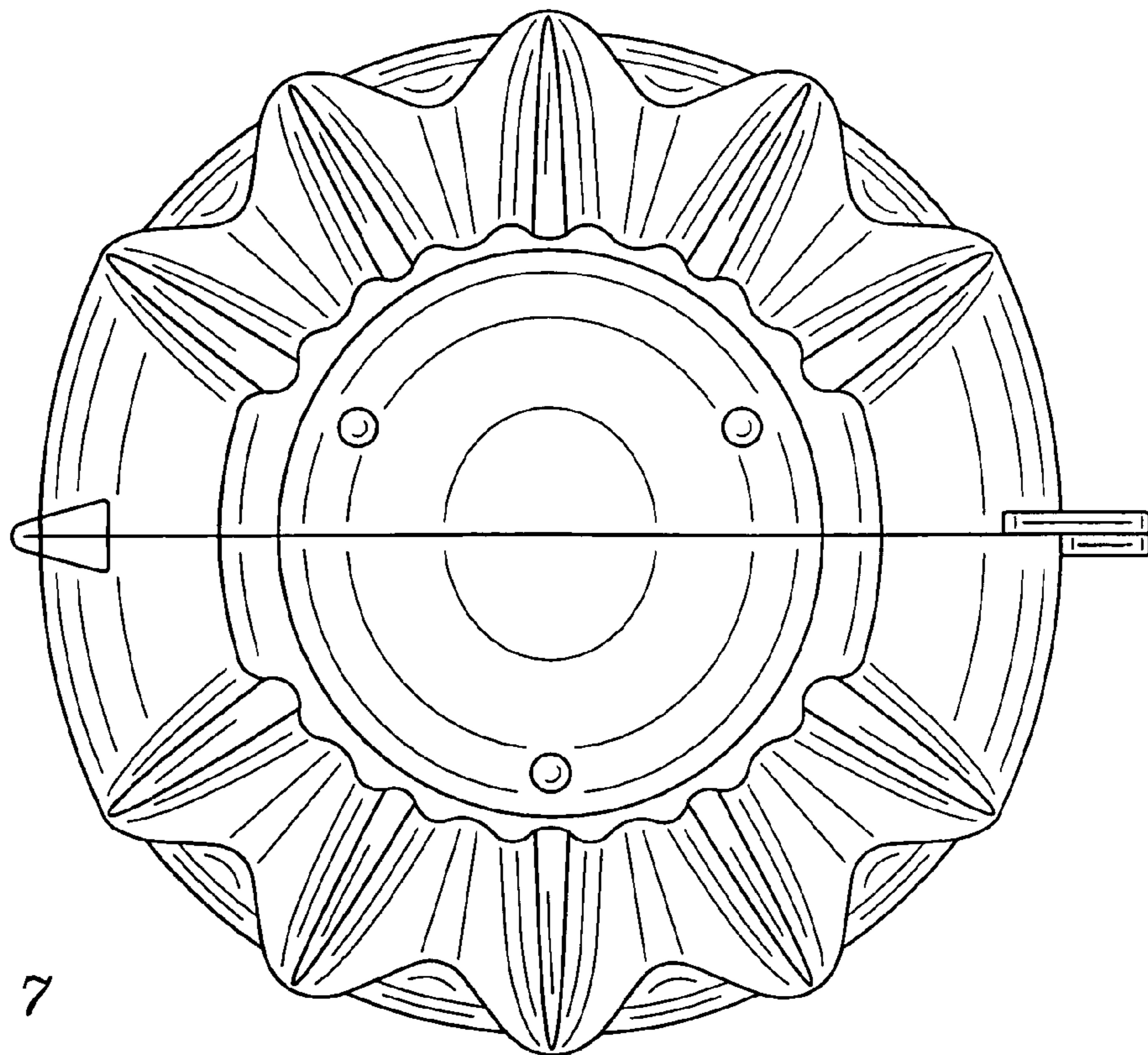
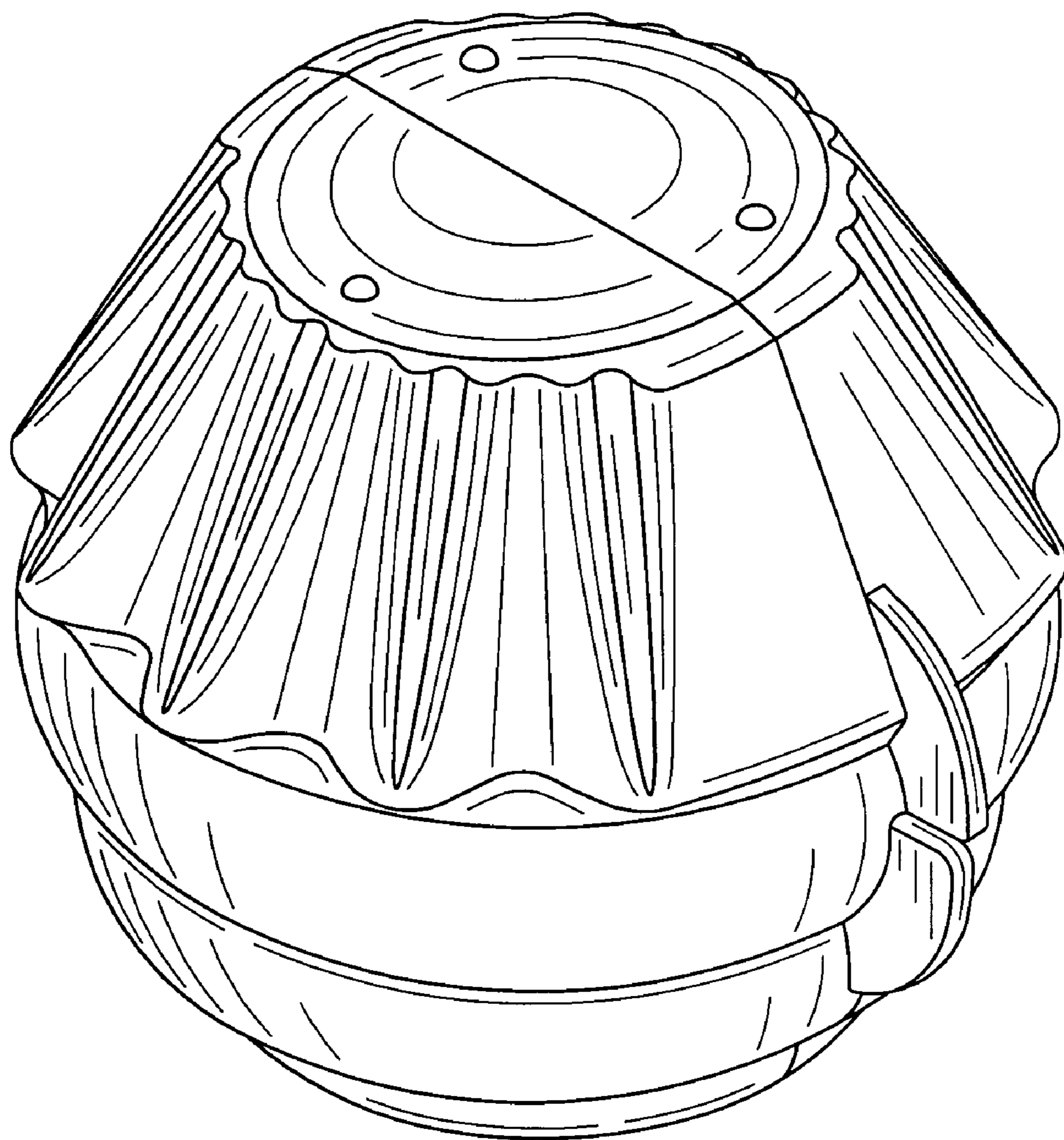


FIG. 7



*FIG. 8*