



US00D601378S

(12) **United States Design Patent**  
**Chung**

(10) **Patent No.:** **US D601,378 S**

(45) **Date of Patent:** **\*\* Oct. 6, 2009**

(54) **BARBECUE GRILL**

(76) **Inventor:** **Kiosky Chung**, No. 72, Chaoguei Rd.,  
Situn District, Taichung City 407 (TW)

(\*\*) **Term:** **14 Years**

(21) **Appl. No.:** **29/329,375**

(22) **Filed:** **Dec. 14, 2008**

(51) **LOC (9) Cl.** ..... **15-05**

(52) **U.S. Cl.** ..... **D7/334**

(58) **Field of Classification Search** ..... D7/332,  
D7/334-337, 402-406; 126/25 R, 29-30,  
126/25 A, 25 AA, 9 R, 9 B, 38, 37 R, 37 B,  
126/40, 50, 43, 44, 45; 99/481-482, 445,  
99/450

See application file for complete search history.

(56) **References Cited**

**U.S. PATENT DOCUMENTS**

D461,359 S *	8/2002	Coleman et al.	.....	D7/334
D503,065 S *	3/2005	Pai	.....	D7/334
D528,349 S *	9/2006	Chung	.....	D7/334
D535,139 S *	1/2007	Lutz	.....	D7/334
D546,616 S *	7/2007	Tseng	.....	D7/334
D549,512 S *	8/2007	Chung	.....	D7/334

D549,514 S *	8/2007	Chung	.....	D7/334
D571,603 S *	6/2008	Chung	.....	D7/334
D571,604 S *	6/2008	Chung	.....	D7/334
D571,605 S *	6/2008	Chung	.....	D7/334
D581,199 S *	11/2008	Chau	.....	D7/334

\* cited by examiner

*Primary Examiner*—Ruth McInroy

(74) *Attorney, Agent, or Firm*—Banger Shia

(57) **CLAIM**

I claim the ornamental design for a barbecue grill, as shown and described.

**DESCRIPTION**

FIG. 1 is a perspective view of a barbecue grill, showing my new design;

FIG. 2 is a front elevational view thereof;

FIG. 3 is a rear elevational view thereof;

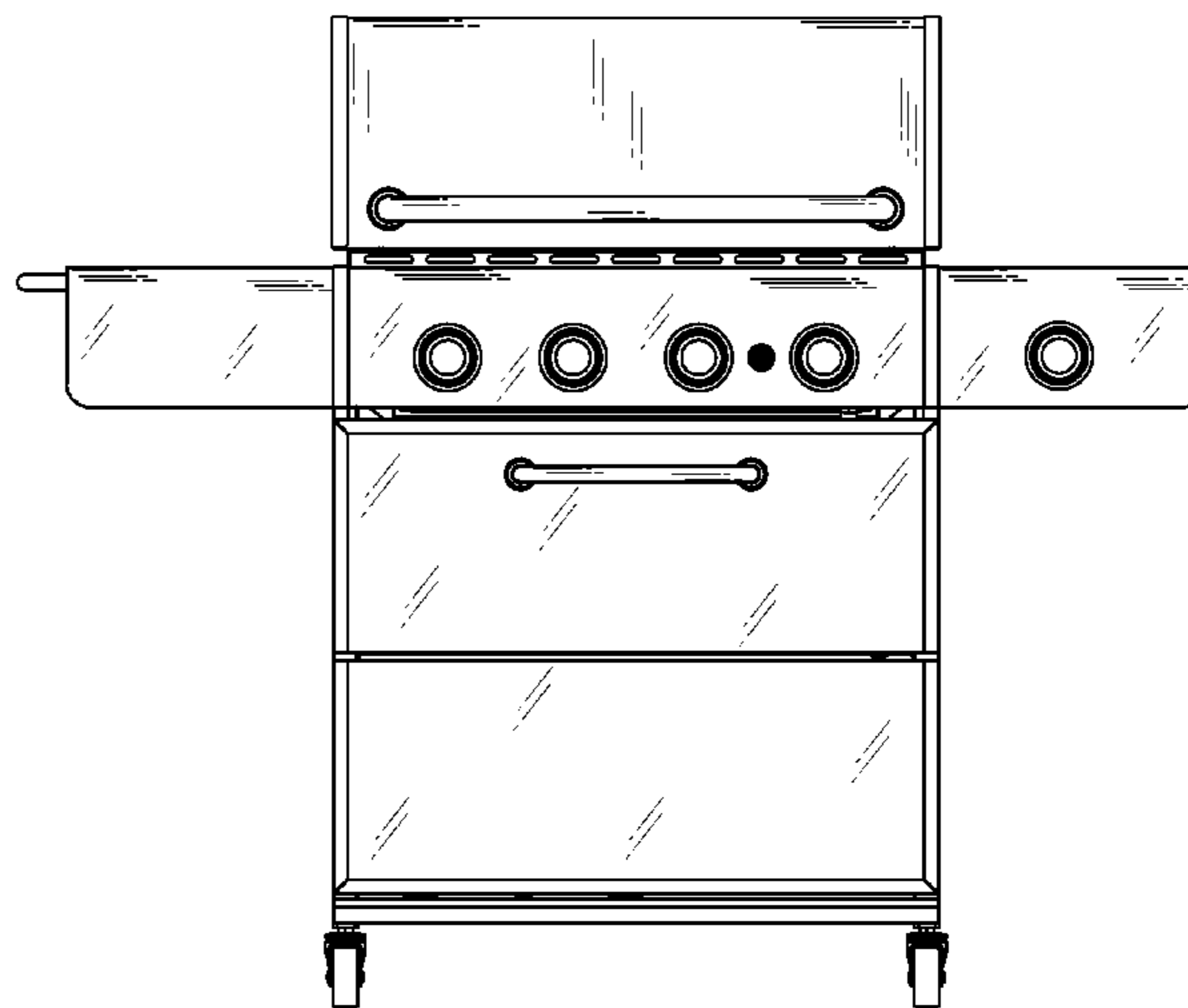
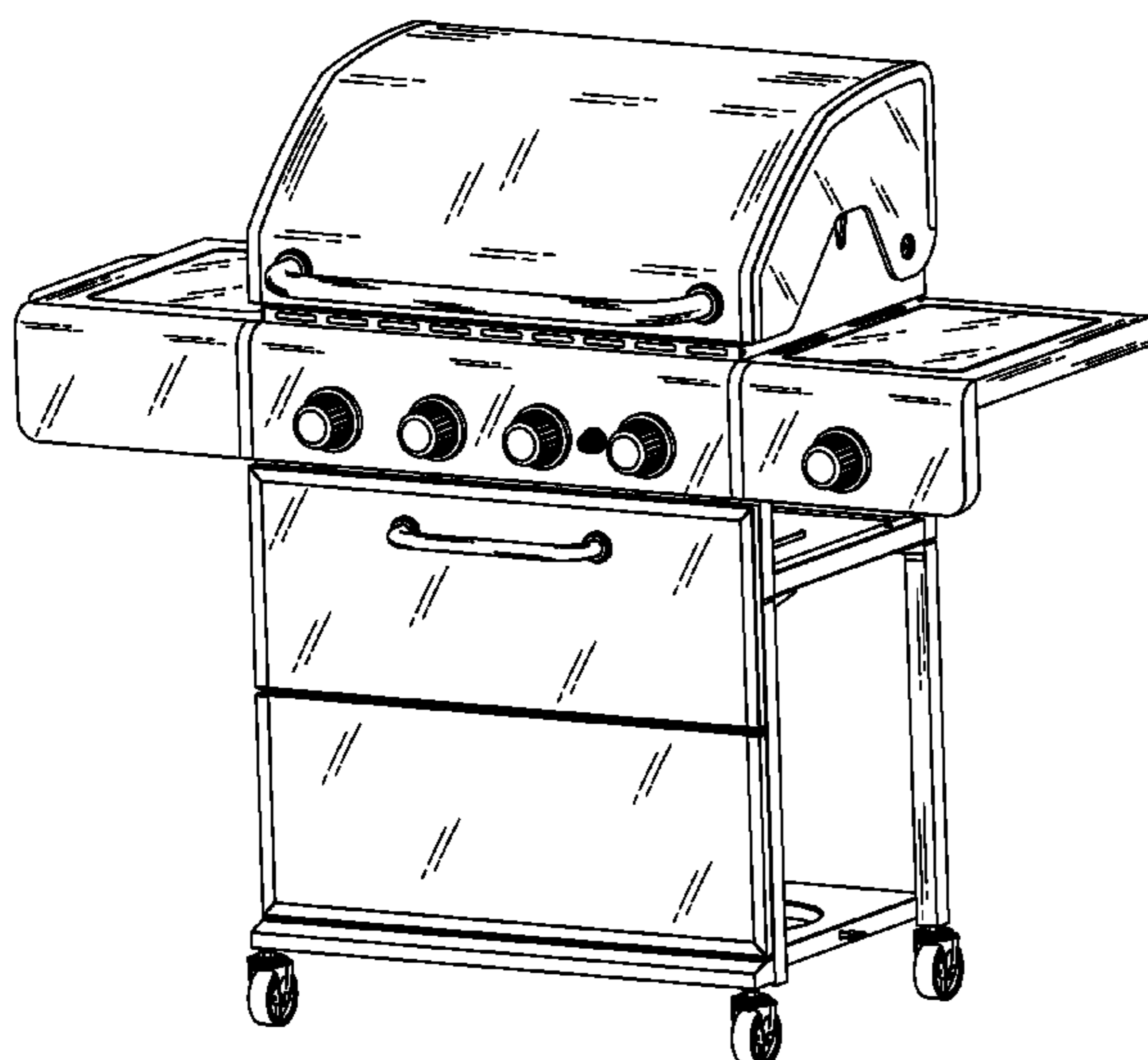
FIG. 4 is a left side elevational view thereof;

FIG. 5 is a right side elevational view thereof;

FIG. 6 is a top plan view thereof; and,

FIG. 7 is a bottom plan view thereof.

**1 Claim, 7 Drawing Sheets**



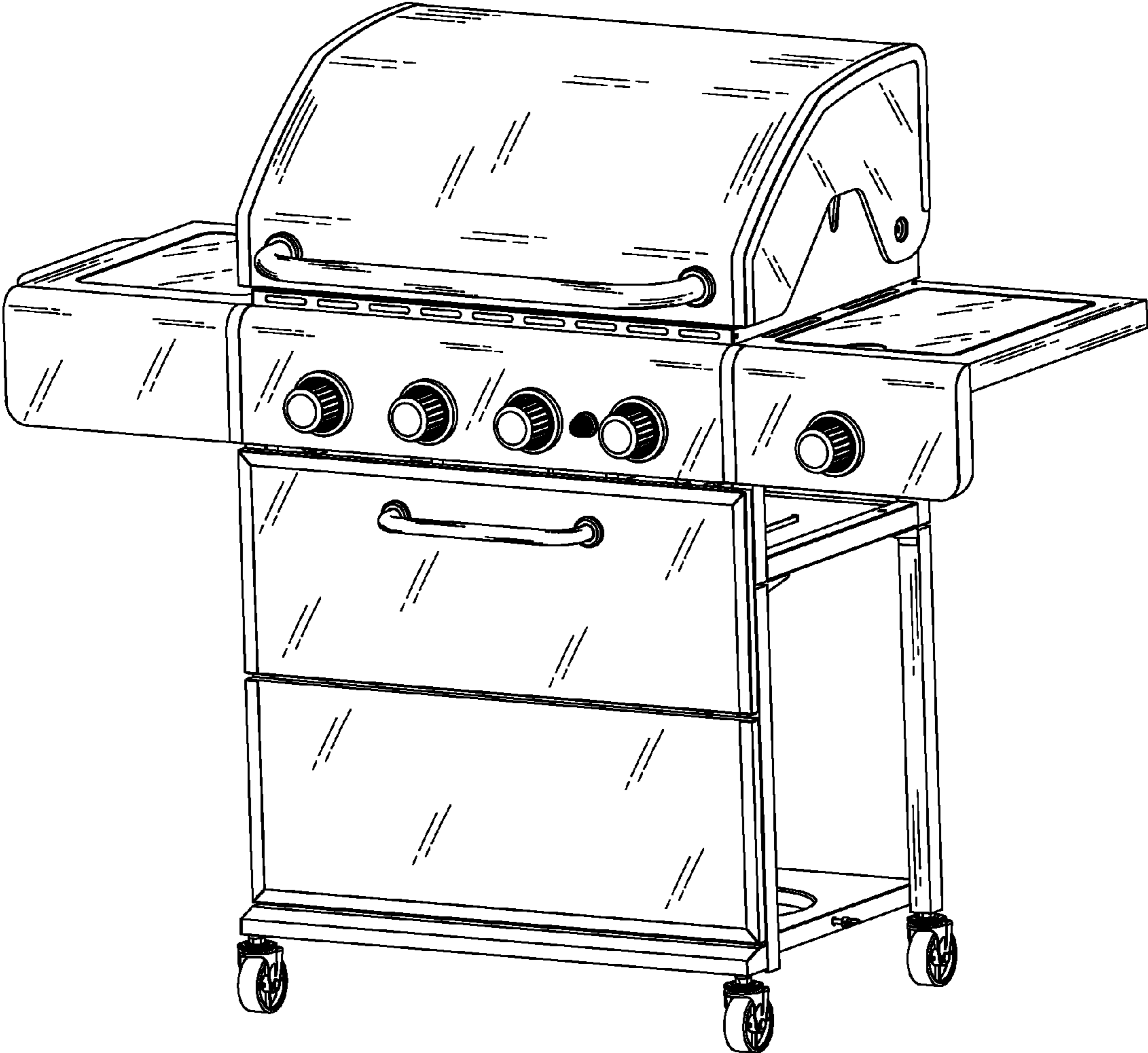


FIG. 1

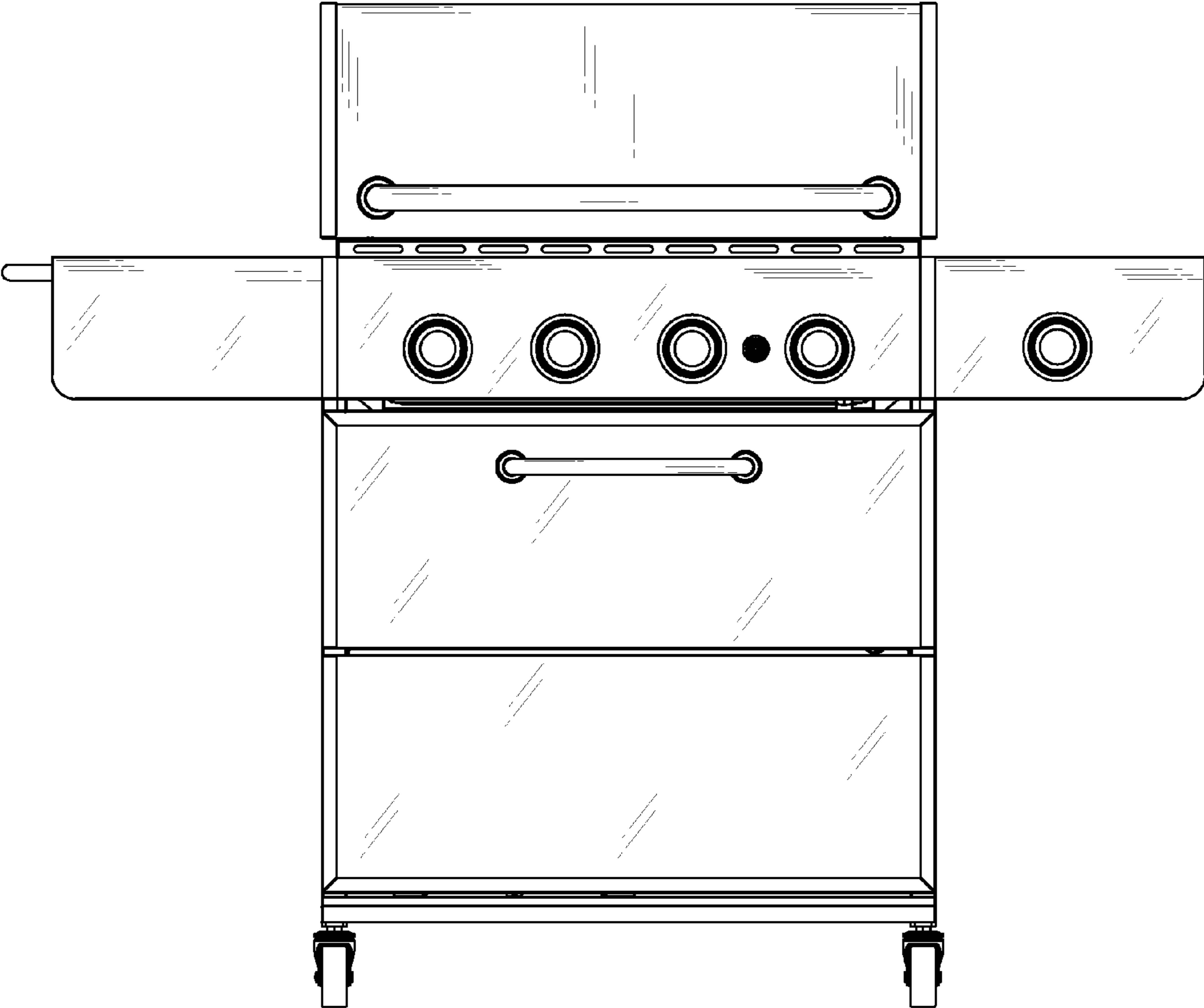


FIG. 2

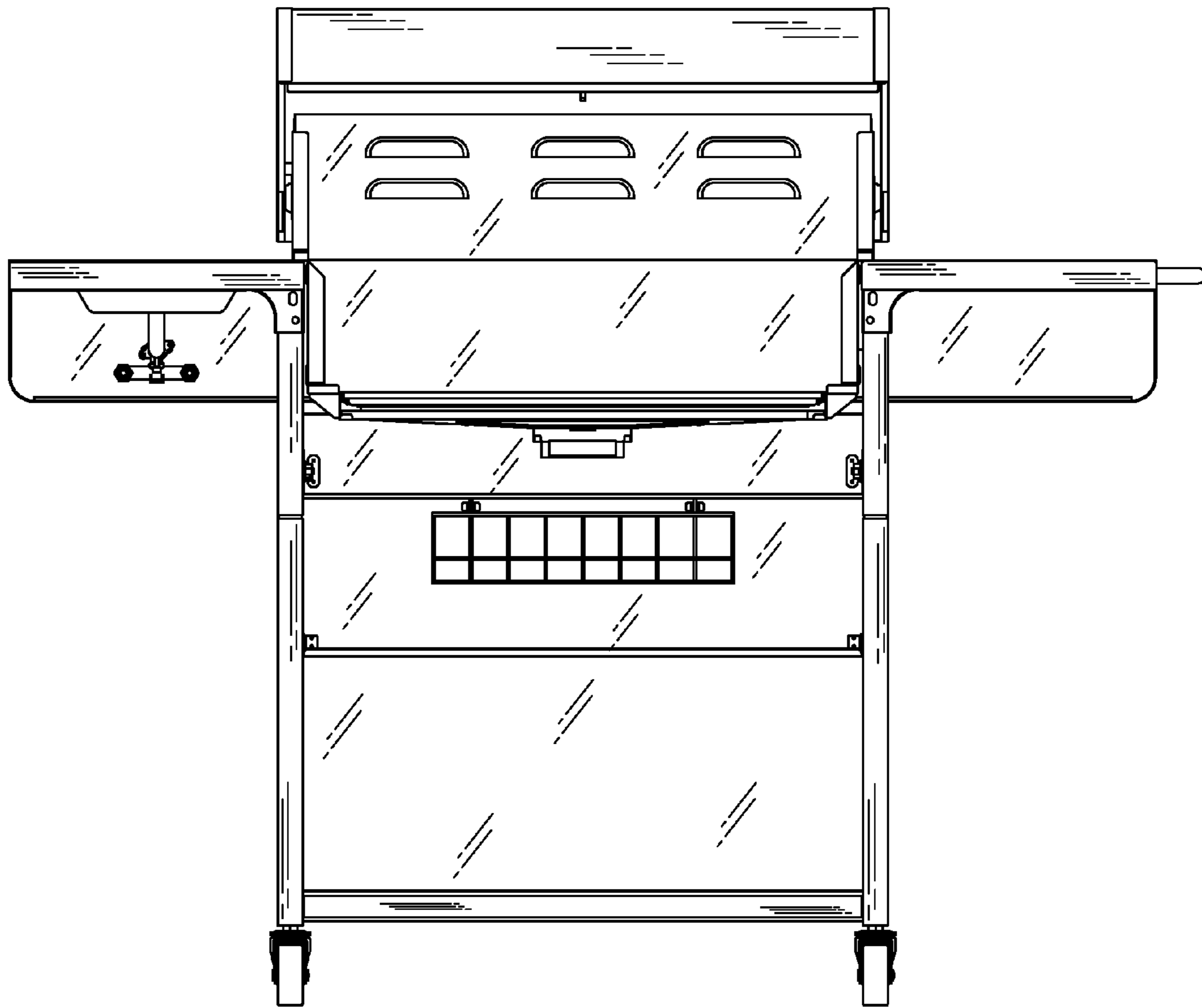


FIG. 3

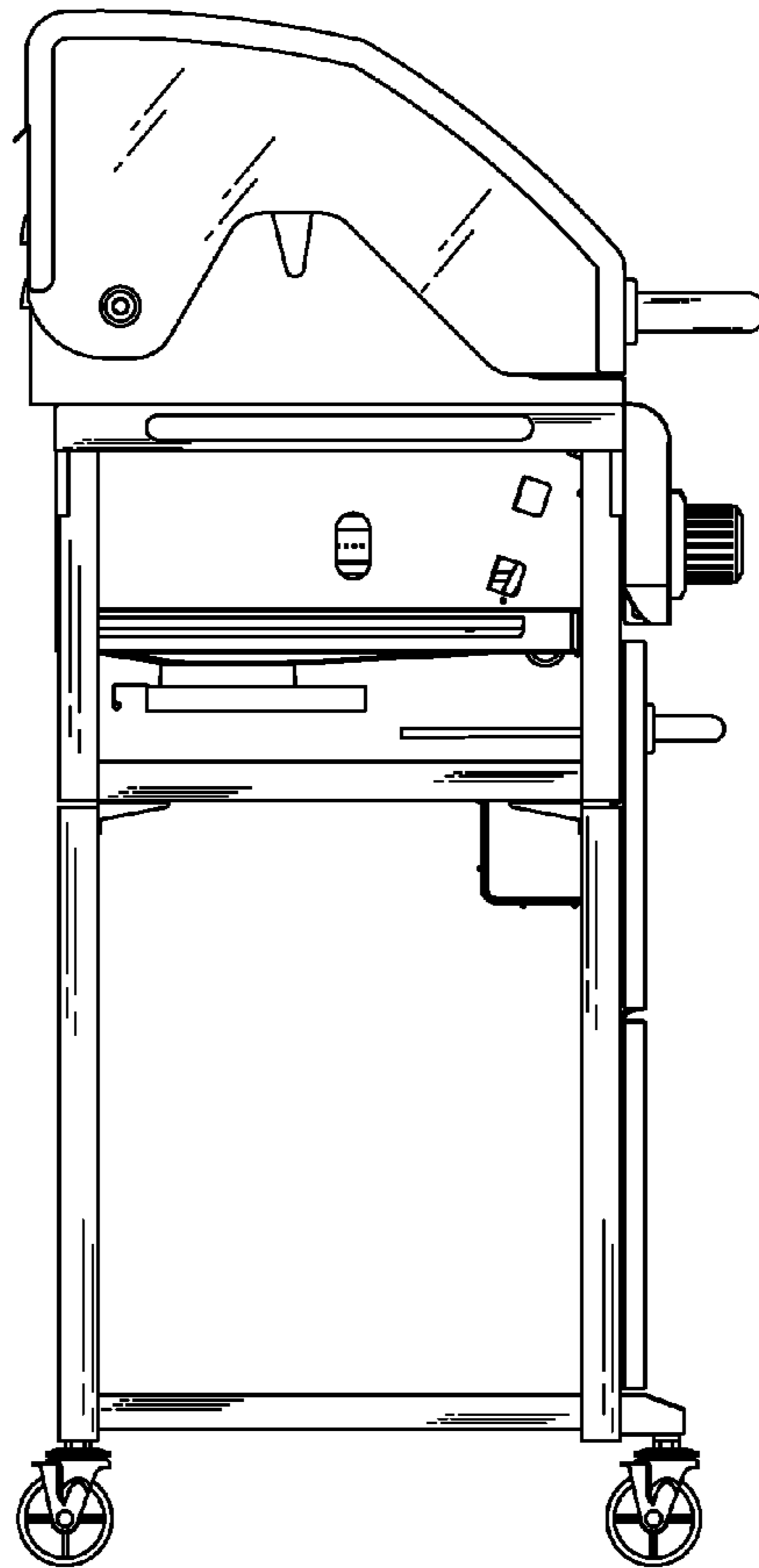


FIG. 4

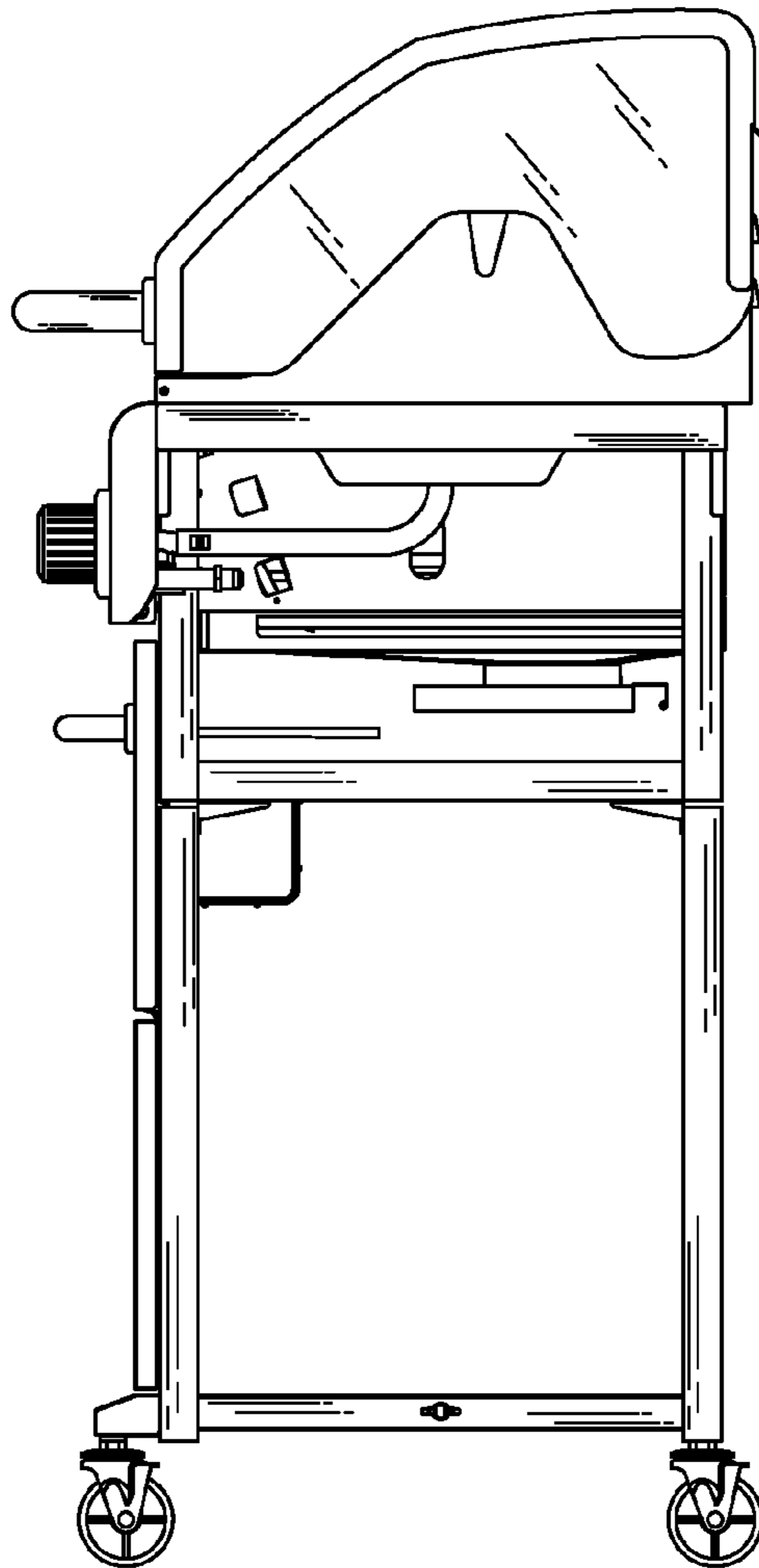


FIG. 5

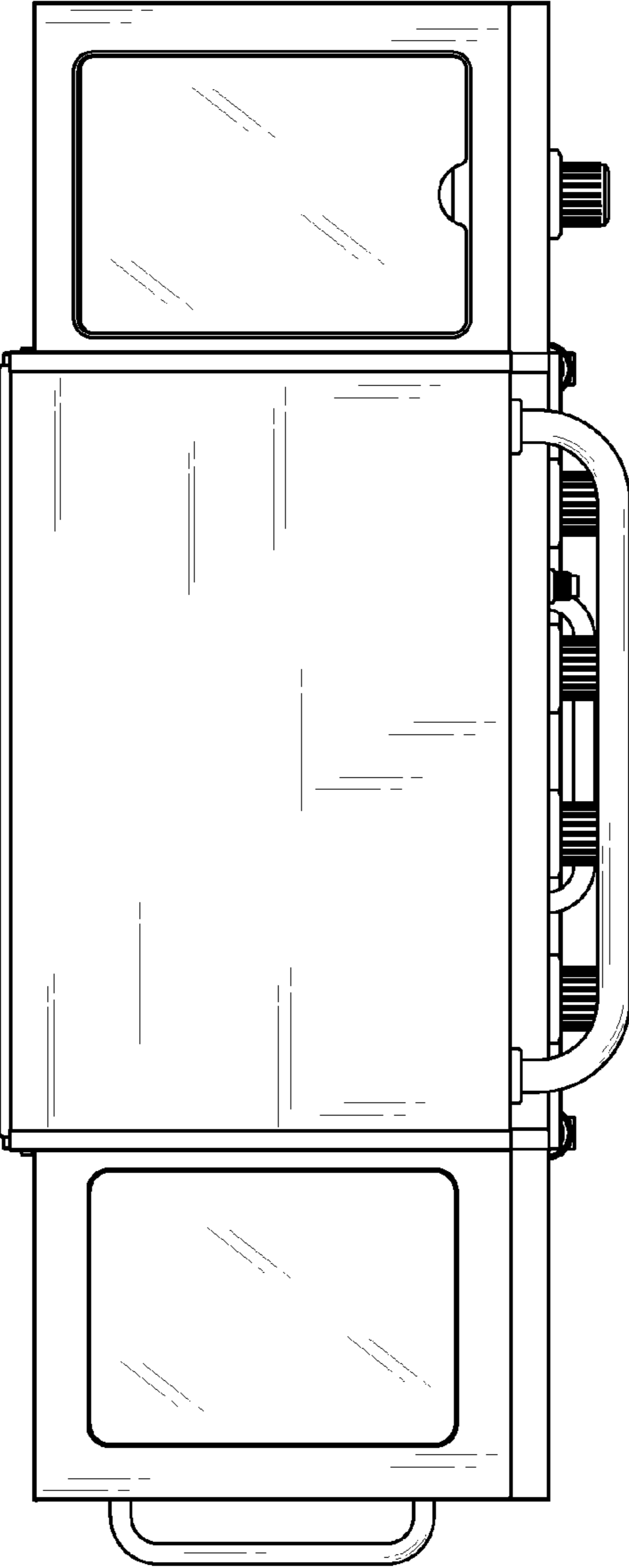


FIG. 6

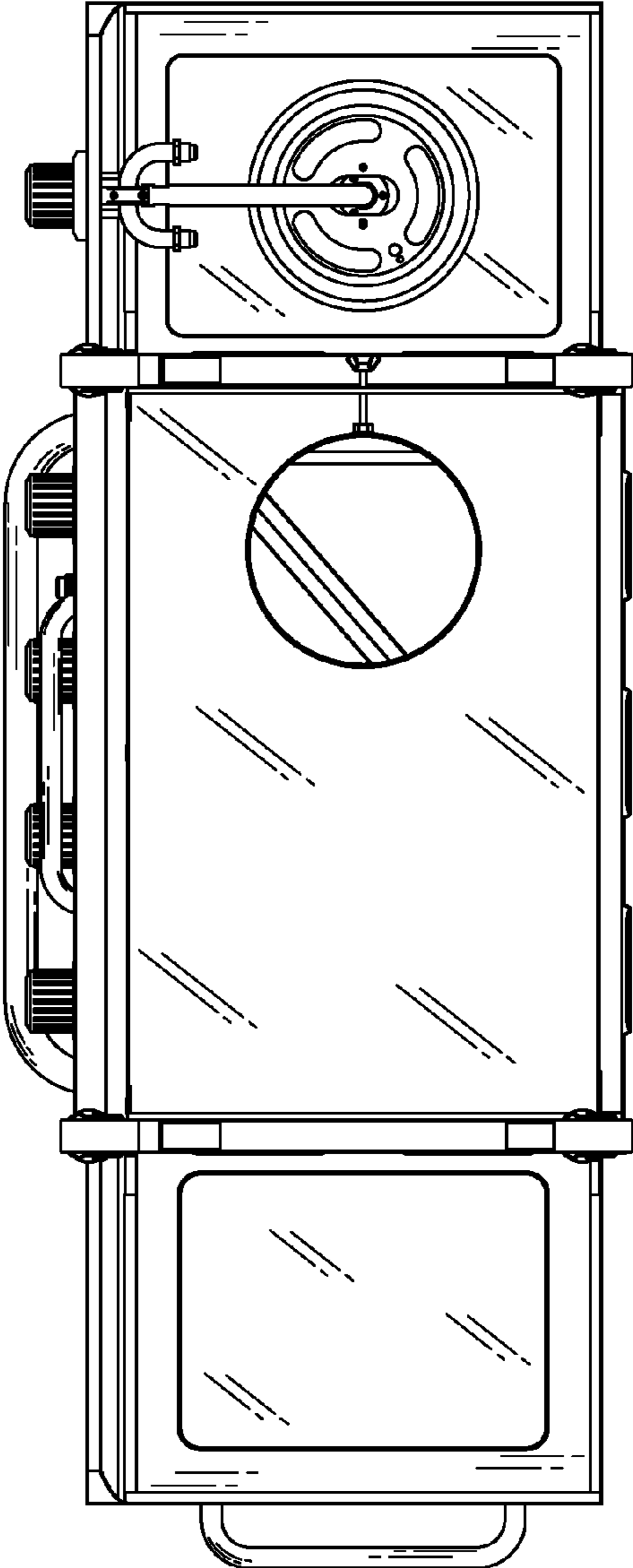


FIG. 7