



US00D601372S

(12) **United States Design Patent**
Kim

(10) **Patent No.:** **US D601,372 S**

(45) **Date of Patent:** **** Oct. 6, 2009**

(54) **SWIVEL CHAIR**

(75) Inventor: **Sang-Hyun Kim**, Pyeongtaek-Si (KR)

(73) Assignee: **Sidiz, Inc.**, Pyeongtaek-si, Gyeonggi-do (KR)

(**) Term: **14 Years**

(21) Appl. No.: **29/338,088**

(22) Filed: **Jun. 4, 2009**

(30) **Foreign Application Priority Data**

Dec. 4, 2008 (KR) 30-2008-0052294

(51) **LOC (9) Cl.** **06-01**

(52) **U.S. Cl.** **D6/502; D6/366**

(58) **Field of Classification Search** D6/334-335,
D6/356, 364, 365, 366, 367, 374, 500-502;
297/284.1, 284.4, 452.11, 452.29, 452.3,
297/463.1

See application file for complete search history.

(56) **References Cited**

U.S. PATENT DOCUMENTS

D517,820 S *	3/2006	Citterio	D6/366
D543,041 S *	5/2007	Hara	D6/366
D551,868 S *	10/2007	Chu	D6/366
D557,917 S *	12/2007	Nakamura et al.	D6/366
D558,998 S *	1/2008	Hara	D6/366
D560,381 S *	1/2008	Dauphin	D6/366
D567,522 S *	4/2008	Igarashi	D6/366

D567,523 S *	4/2008	Hara	D6/366
D568,625 S *	5/2008	Klaasen et al.	D6/366
D590,613 S *	4/2009	Ueda	D6/366
D595,970 S *	7/2009	Ueda	D6/366
D595,971 S *	7/2009	Ueda	D6/366

* cited by examiner

Primary Examiner—Mimosa De

(74) *Attorney, Agent, or Firm*—Alleman Hall McCoy Russell & Tuttle LLP

(57) **CLAIM**

The ornamental design for a swivel chair, as shown and described.

DESCRIPTION

FIG. 1 is a front view of a swivel chair according to the present invention.

FIG. 2 is a rear view of the swivel chair of FIG. 1.

FIG. 3 is a top view of the swivel chair of FIG. 1.

FIG. 4 is a bottom view of the swivel chair of FIG. 1.

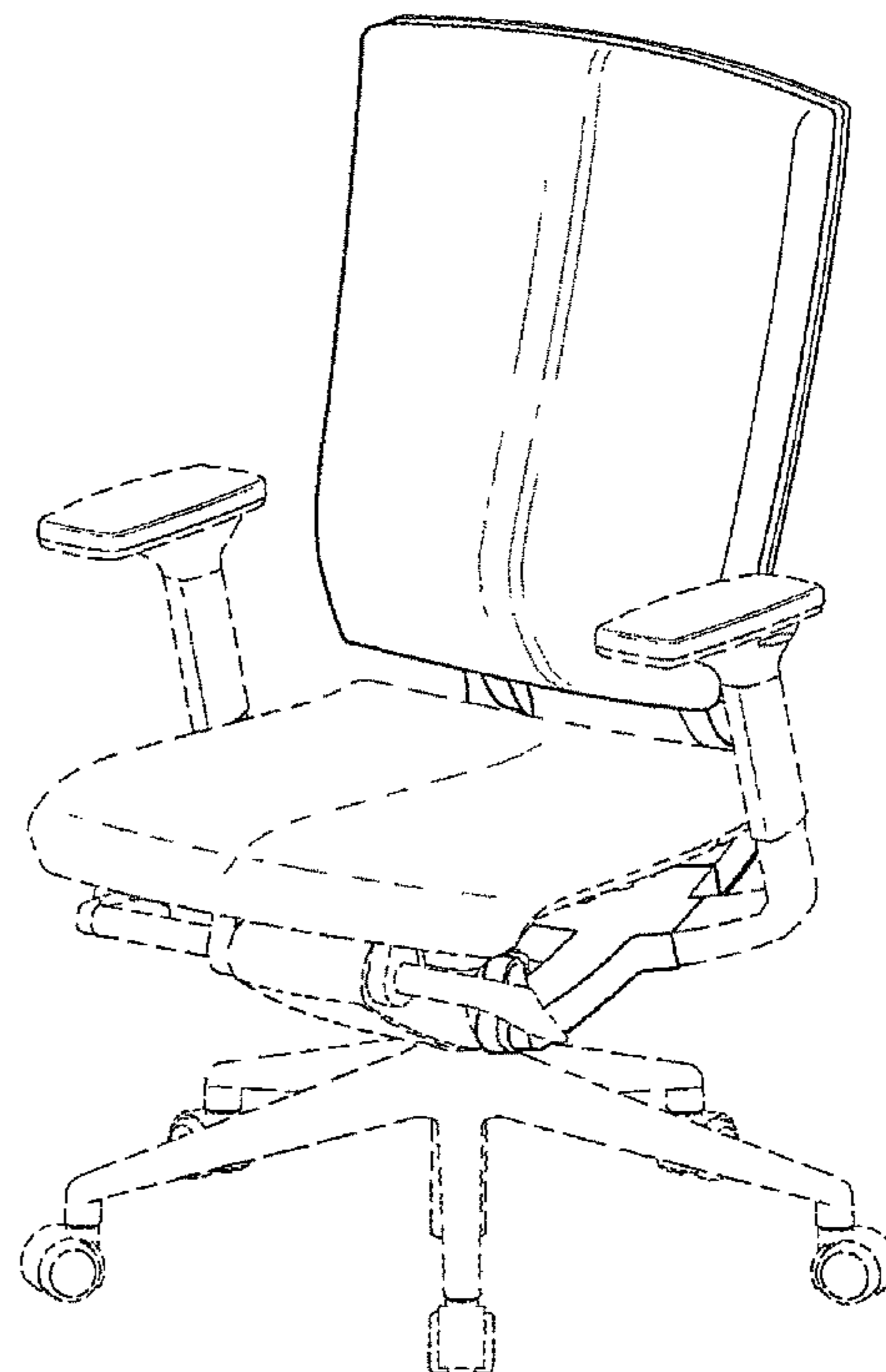
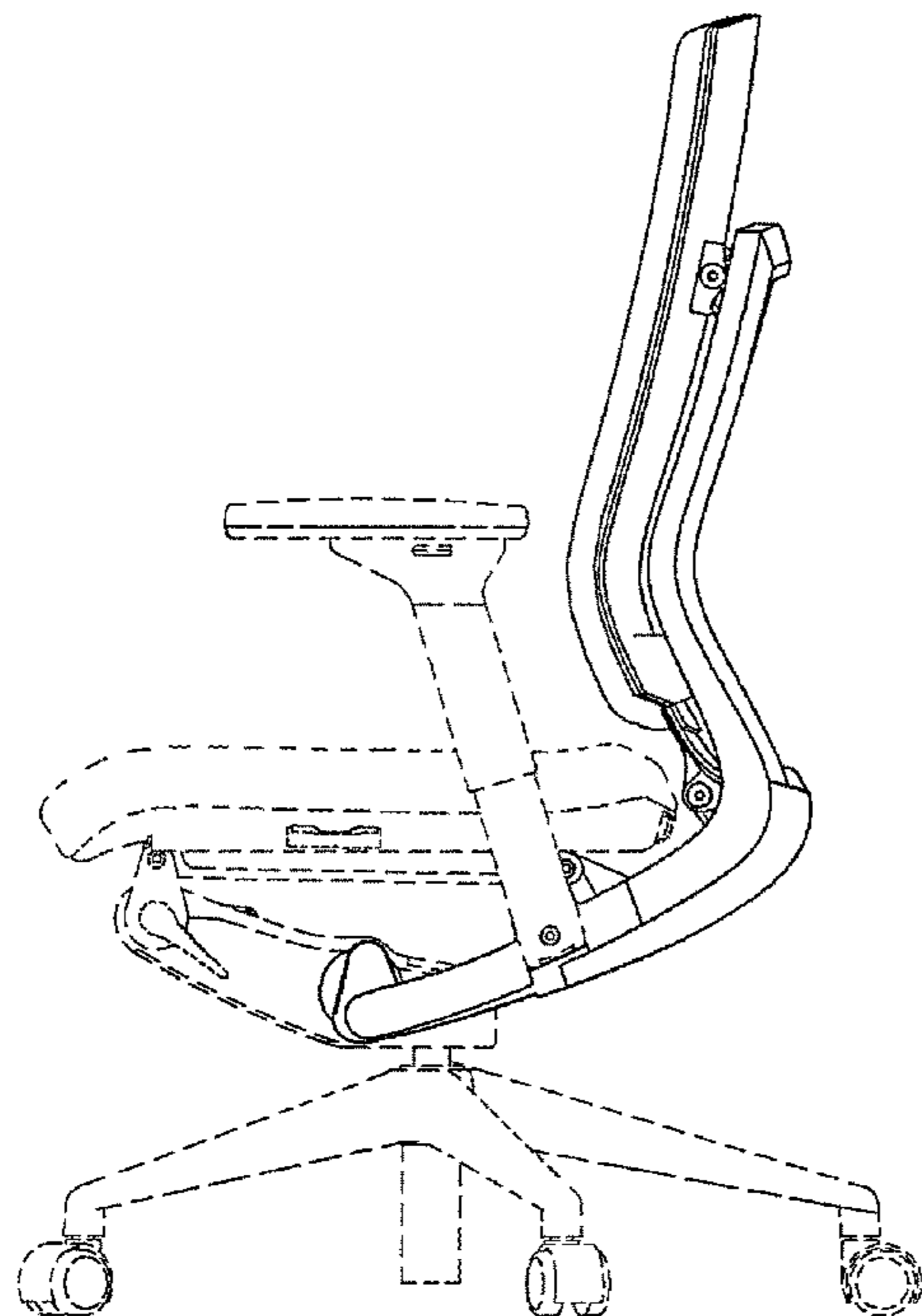
FIG. 5 is a left side view of the swivel chair of FIG. 1.

FIG. 6 is a right side view of the swivel chair of FIG. 1; and,

FIG. 7 is a front perspective view of the swivel chair of FIG. 1.

In the drawings, the broken lines depicting seat, arm and base components of a swivel chair form no part of the claimed ornamental design.

1 Claim, 7 Drawing Sheets



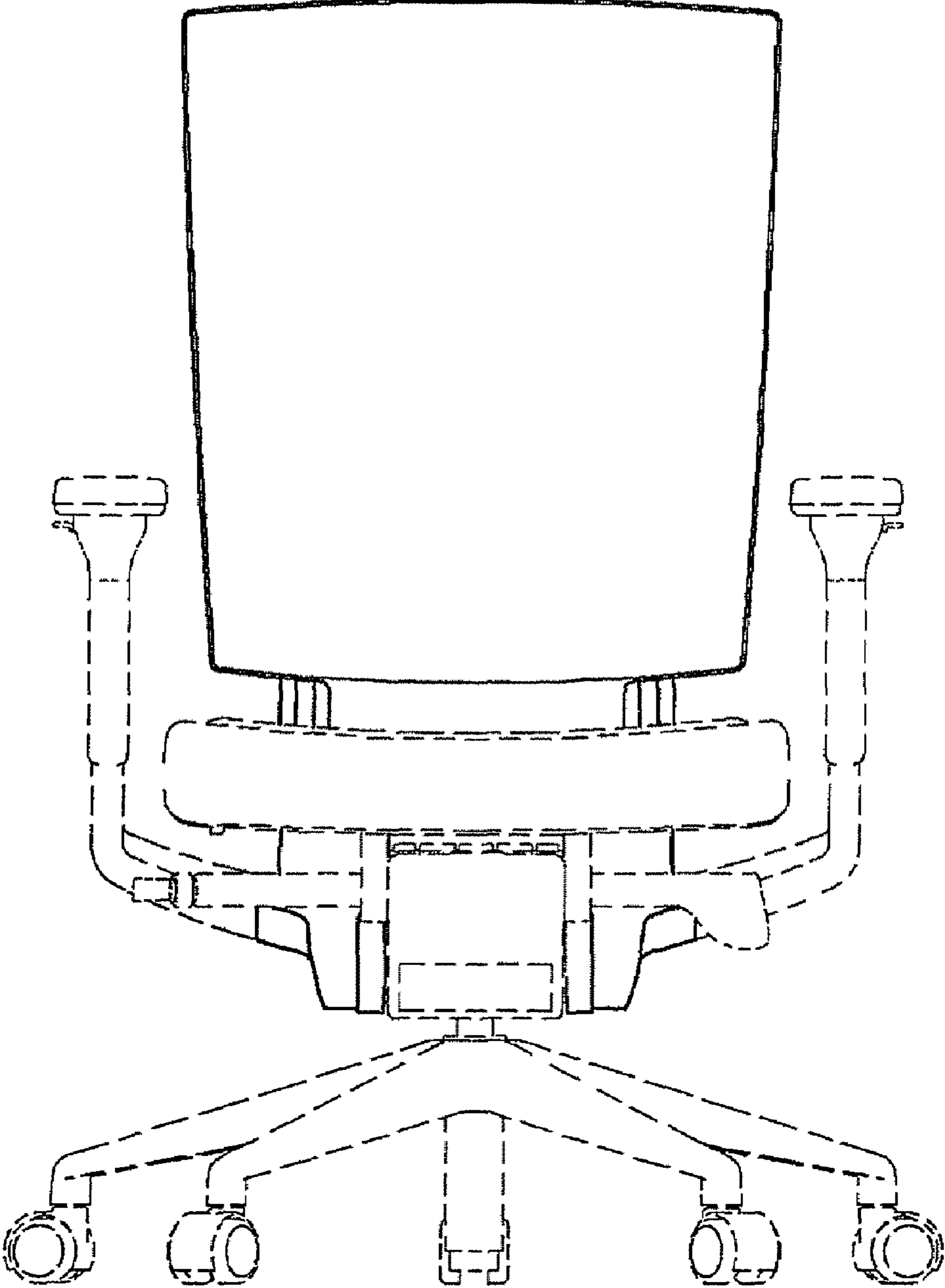


FIG. 1

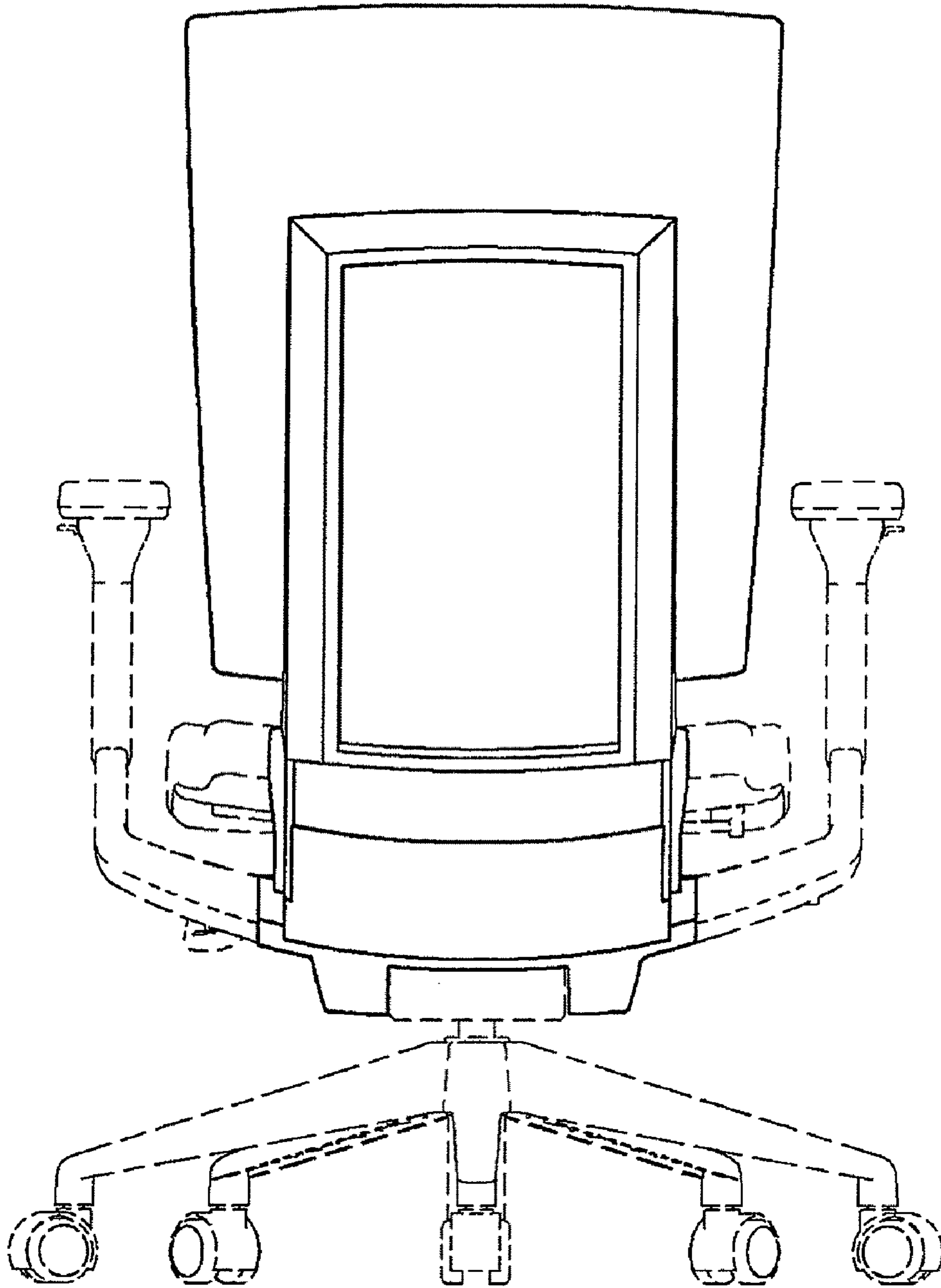


FIG. 2

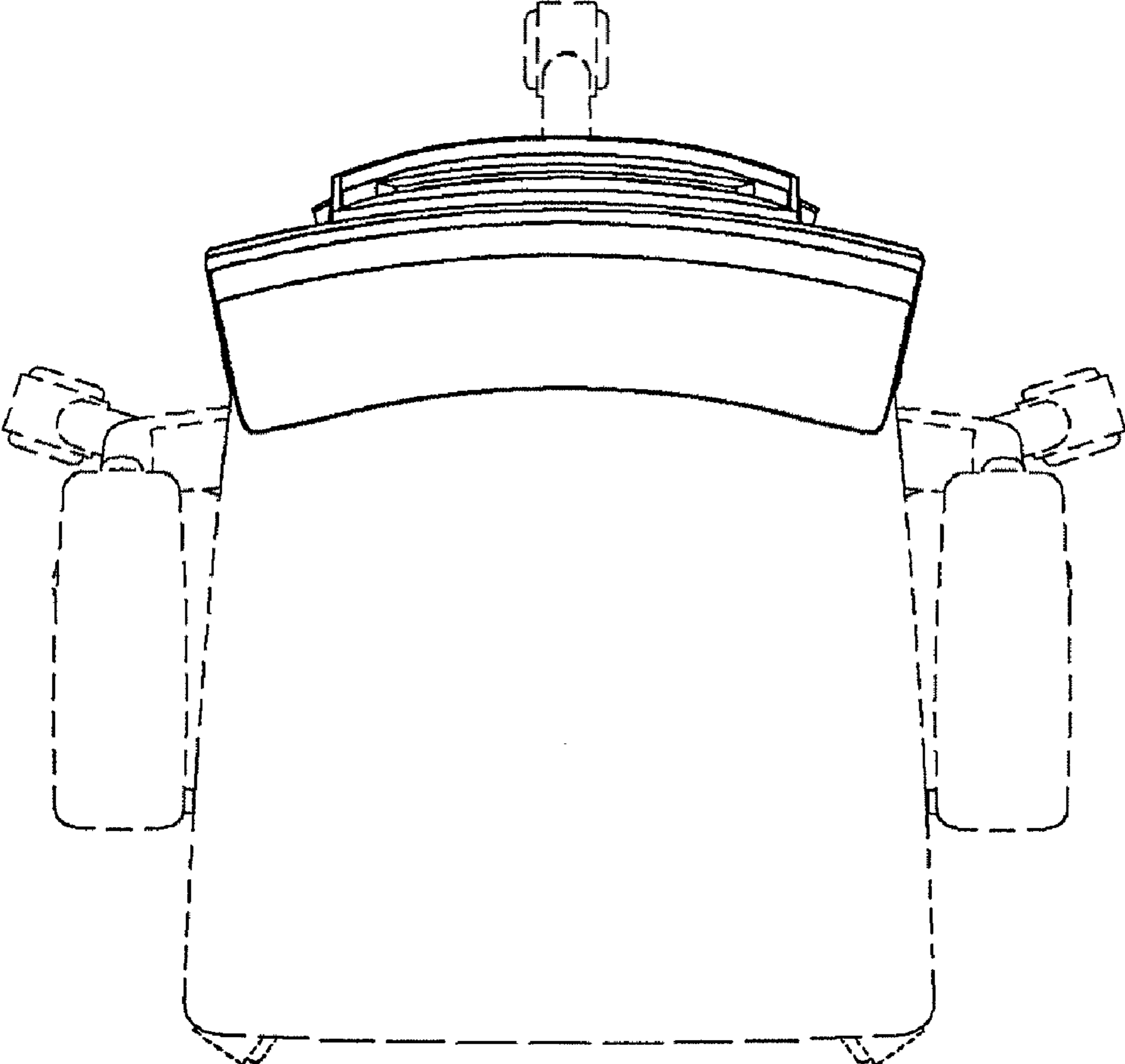


FIG. 3

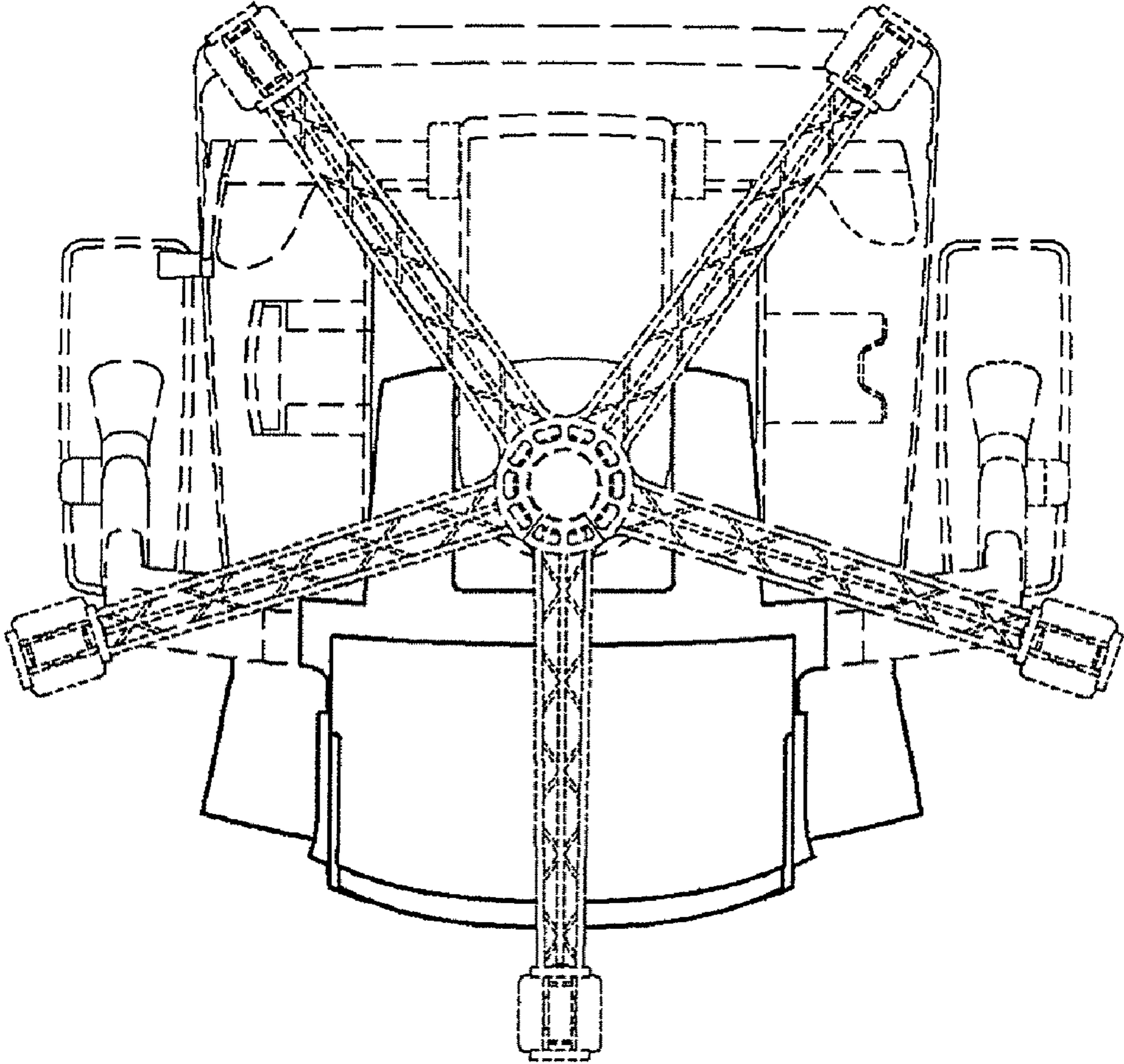


FIG. 4

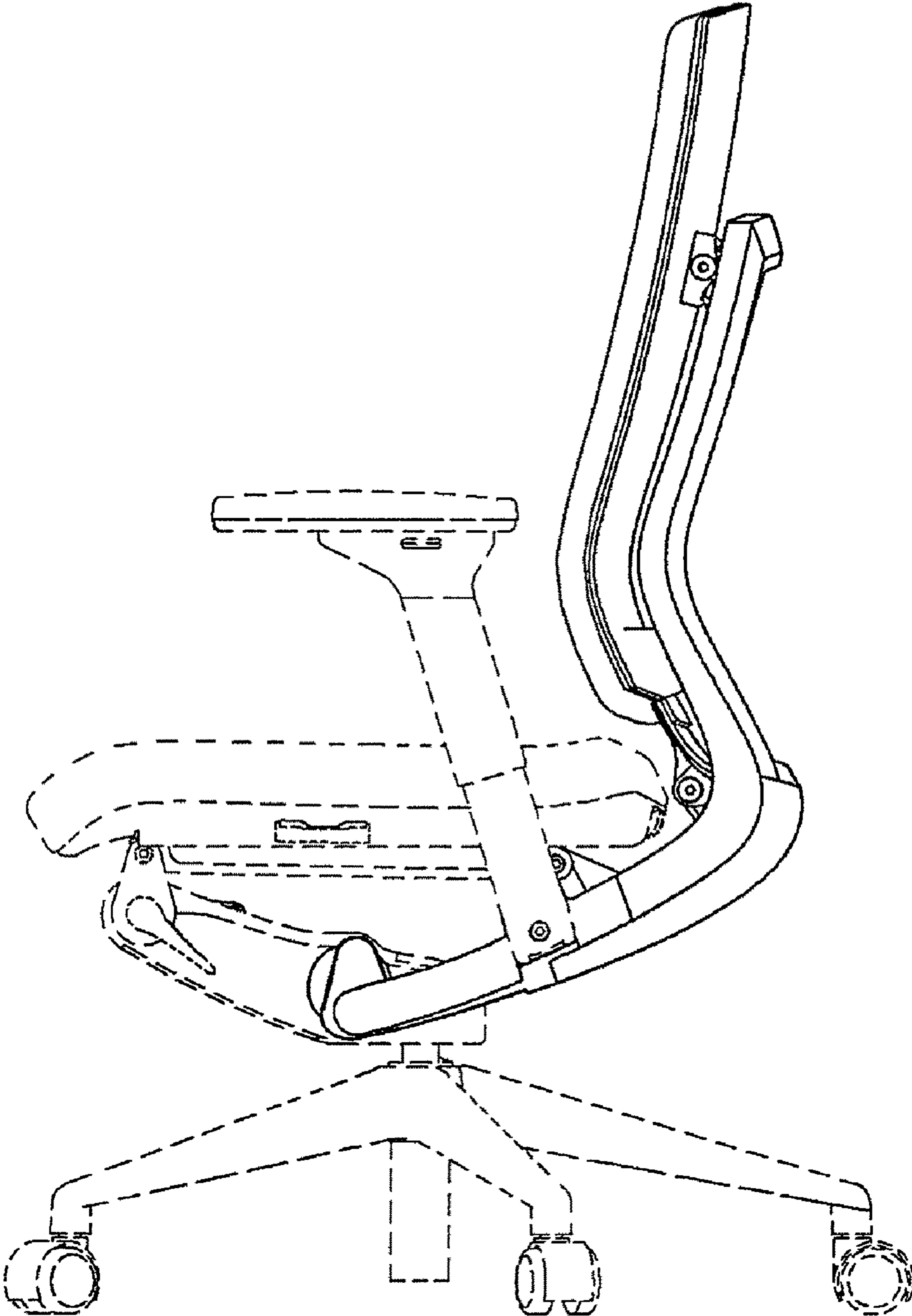


FIG. 5

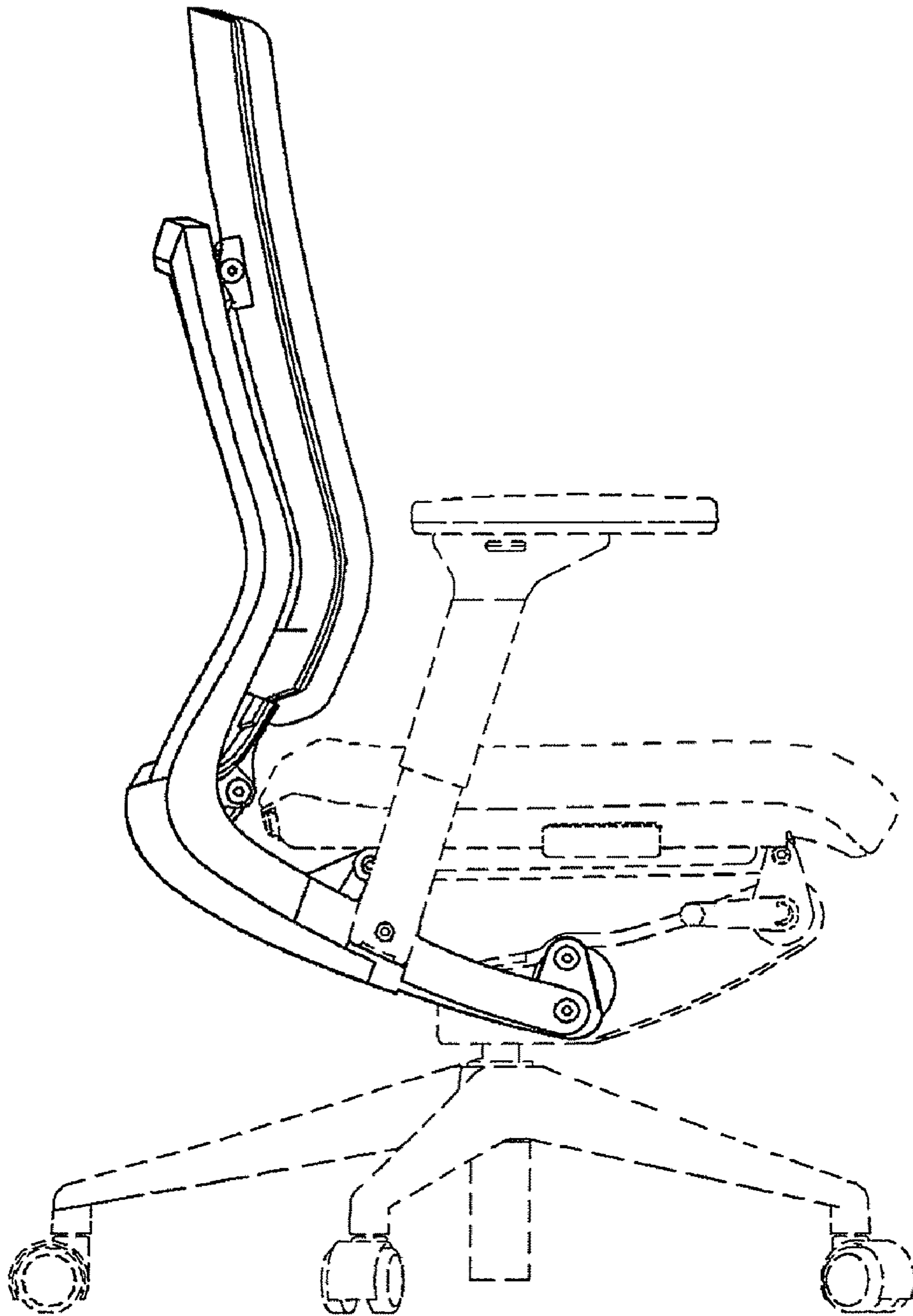


FIG. 6

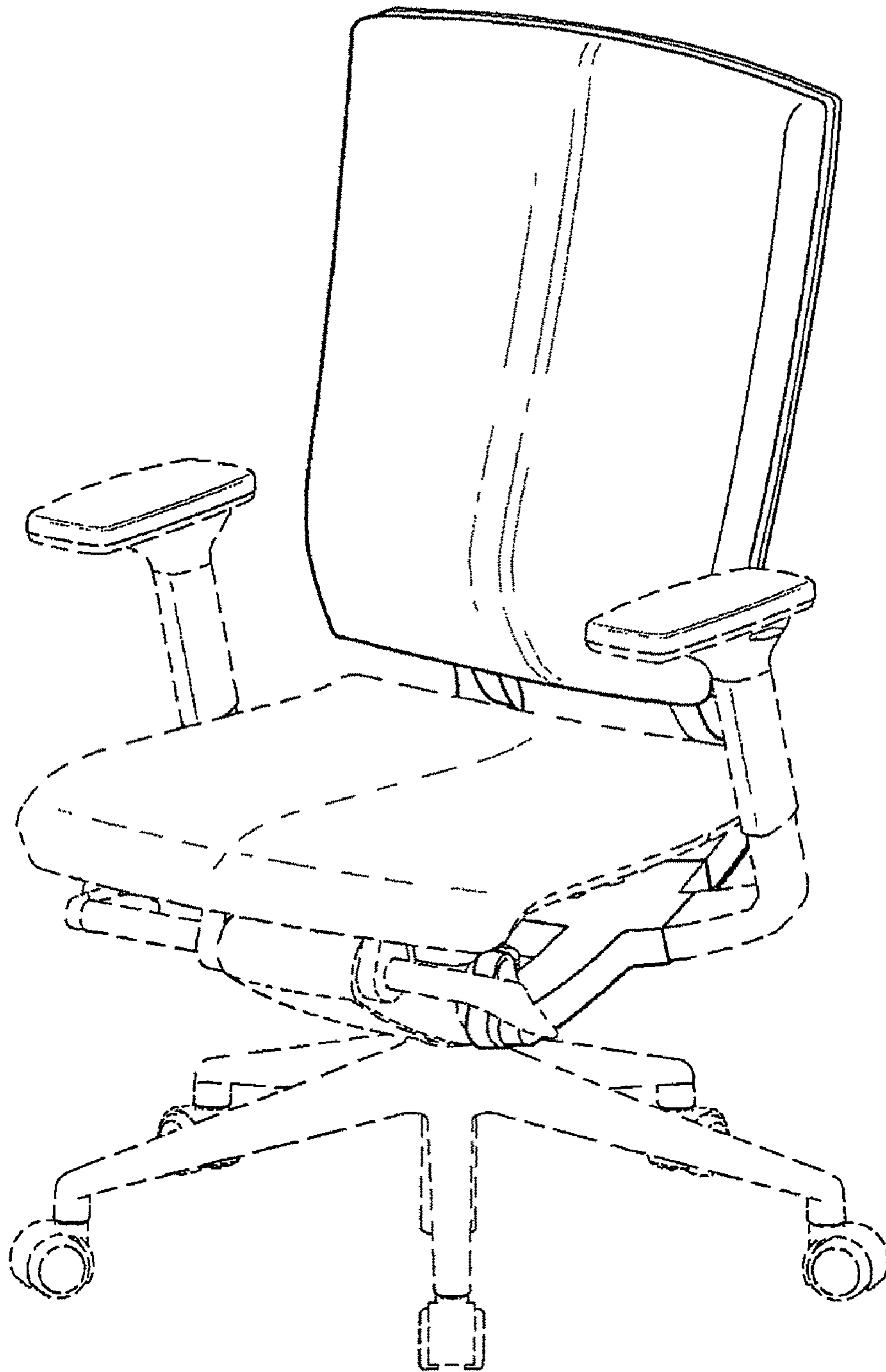


FIG. 7