



US00D601370S

(12) **United States Design Patent**  
**Kohler**

(10) **Patent No.:** **US D601,370 S**  
(45) **Date of Patent:** **\*\* Oct. 6, 2009**

(54) **FRAME FOR SHELVES**

(57) **CLAIM**

(75) Inventor: **Paul Albert Kohler**, Seattle, WA (US)

The ornamental design for a frame for shelves, as shown and described.

(73) Assignee: **Slam Brands, Inc.**, Redmond, WA (US)

(\*\*) Term: **14 Years**

**DESCRIPTION**

(21) Appl. No.: **29/334,108**

(22) Filed: **Mar. 20, 2009**

(51) **LOC (9) Cl.** ..... **06-07**

(52) **U.S. Cl.** ..... **D6/495; D6/477**

(58) **Field of Classification Search** ..... D6/479,  
D6/460, 474, 477, 478, 449, 495; 108/59,  
108/91-92, 29; 211/40, 41.12, 42, 49.1,  
211/90.04

See application file for complete search history.

FIG. 1 is a top perspective view of a design for a frame for shelves;

FIG. 2 is the top perspective view without environmental elements blocking a view thereof;

FIG. 3 is a bottom perspective view of the design;

FIG. 4 is the bottom perspective view without environmental elements blocking a view thereof;

FIG. 5 is a left side view thereof mirrored on the right side;

FIG. 6 is the left side view without environmental elements blocking a view thereof;

FIG. 7 is a front side view thereof;

FIG. 8 is the front side view without environmental elements blocking a view thereof;

FIG. 9 is a back side view thereof;

FIG. 10 is the back side view without environmental elements blocking a view thereof;

FIG. 11 is a top plan view thereof;

FIG. 12 is the top plan view without environmental elements blocking a view thereof;

FIG. 13 is a bottom plan view thereof; and,

FIG. 14 is the bottom plan view without environmental elements blocking a view thereof.

The dashed lines in the drawings are shown for environmental purposes and form no part of the claimed design.

(56) **References Cited**

**U.S. PATENT DOCUMENTS**

D480,237 S *	10/2003	de Carolis	.....	D6/474
D489,548 S *	5/2004	Malizia	.....	D6/477
D507,128 S *	7/2005	Choo	.....	D6/477
D508,801 S *	8/2005	Holst	.....	D6/477
D517,350 S *	3/2006	Sexton	.....	D6/479
D525,052 S *	7/2006	Malizia	.....	D6/474
D539,565 S *	4/2007	Sexton, III	.....	D6/474
D543,729 S *	6/2007	Weatherly	.....	D6/474
D564,797 S *	3/2008	Yamaguchi	.....	D6/477
D572,944 S *	7/2008	Sexton	.....	D6/477
D591,089 S *	4/2009	Sexton	.....	D6/479

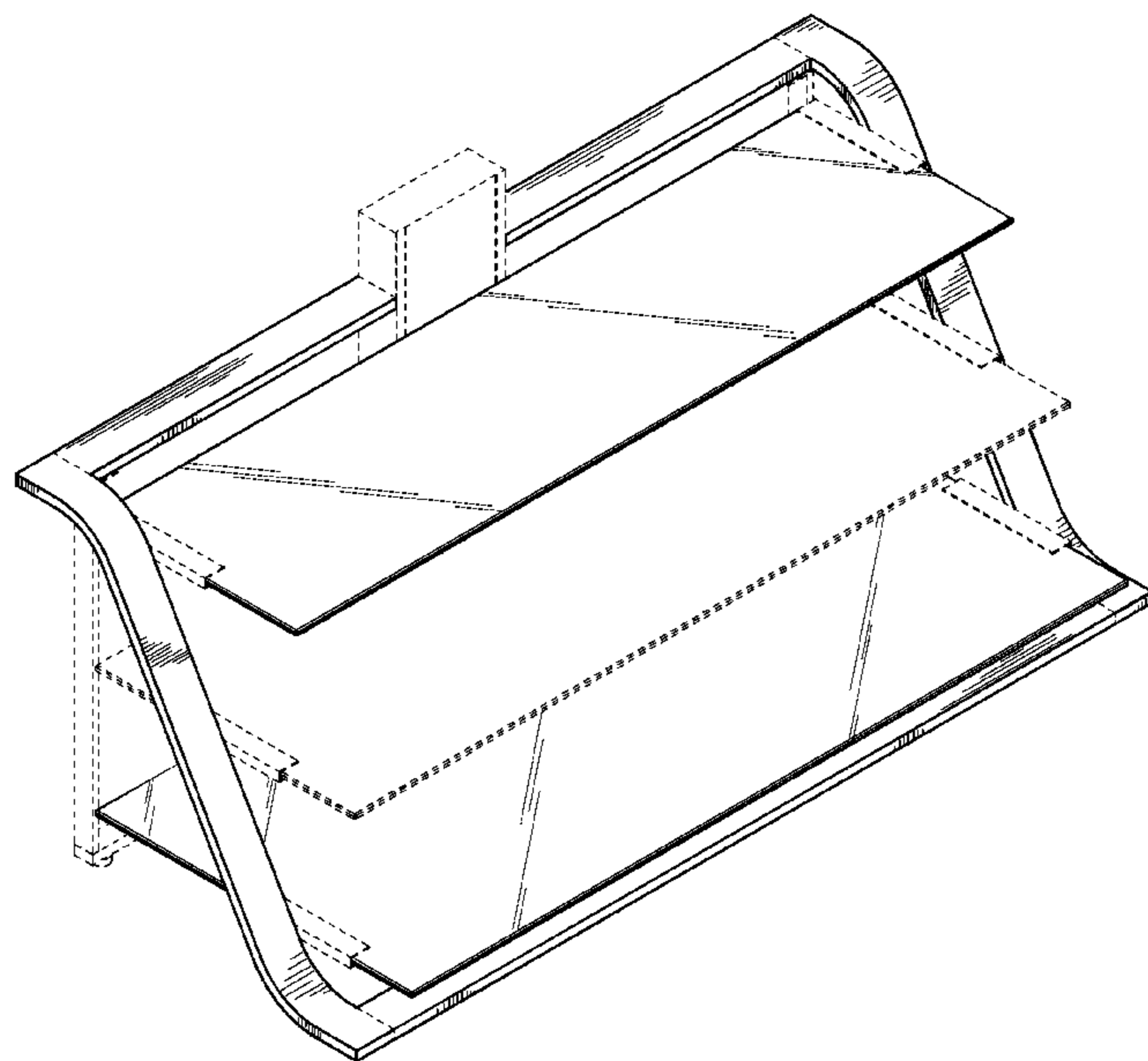
\* cited by examiner

*Primary Examiner*—Caron Veynar

*Assistant Examiner*—Sydney R Buffalow

(74) *Attorney, Agent, or Firm*—Turocy & Watson, LLP;  
Thomas E. Watson

**1 Claim, 14 Drawing Sheets**



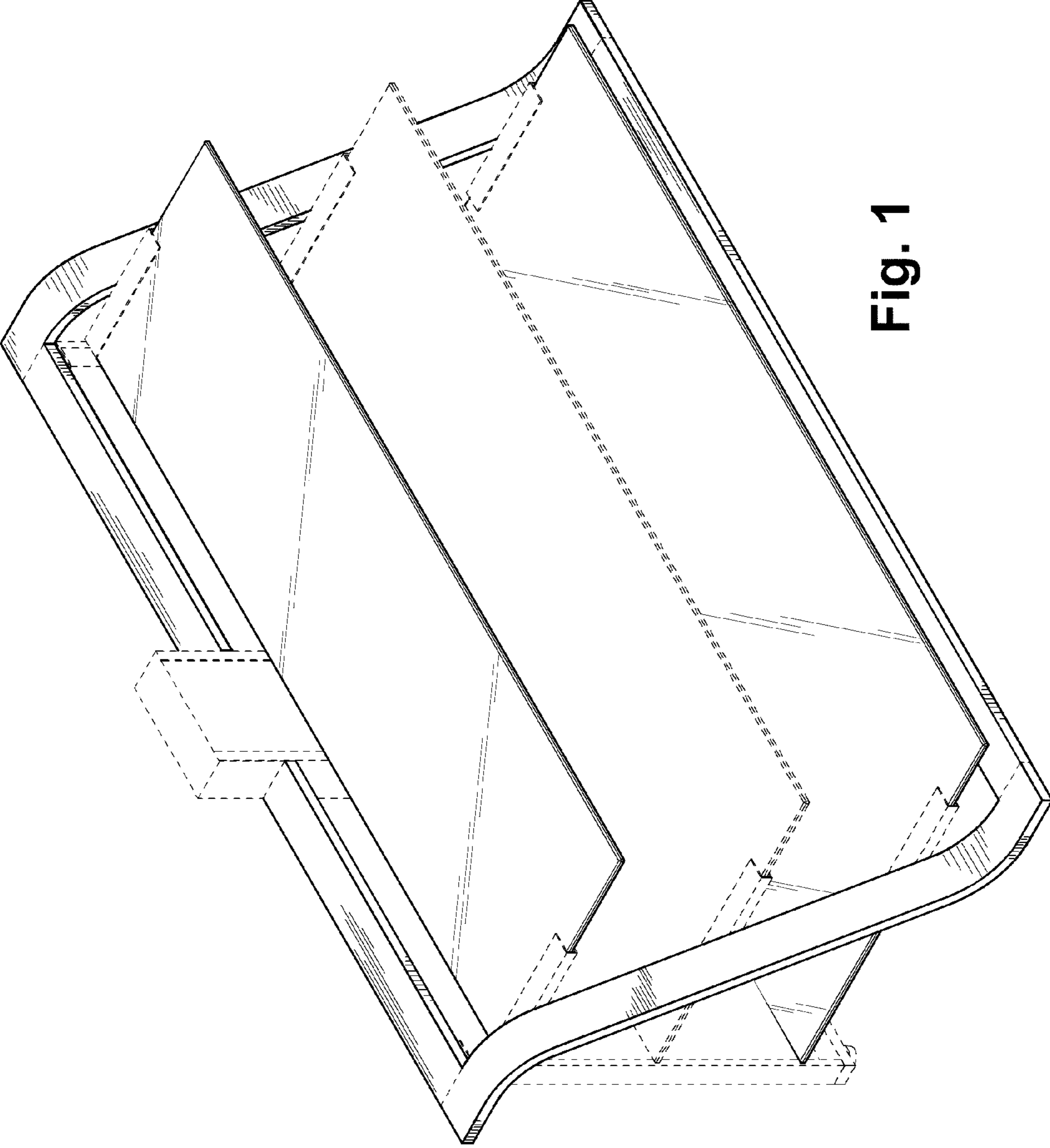


Fig. 1

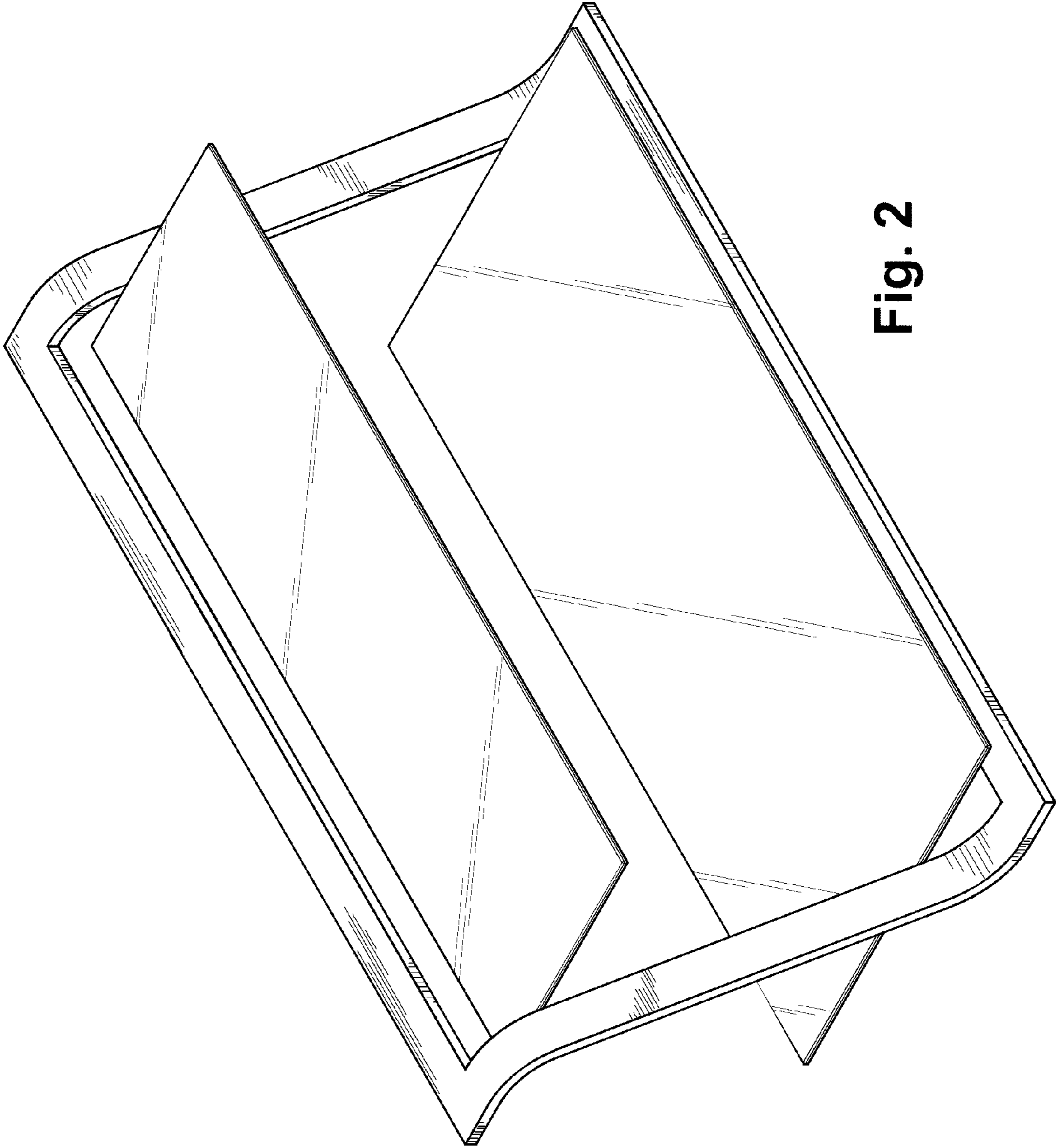


Fig. 2



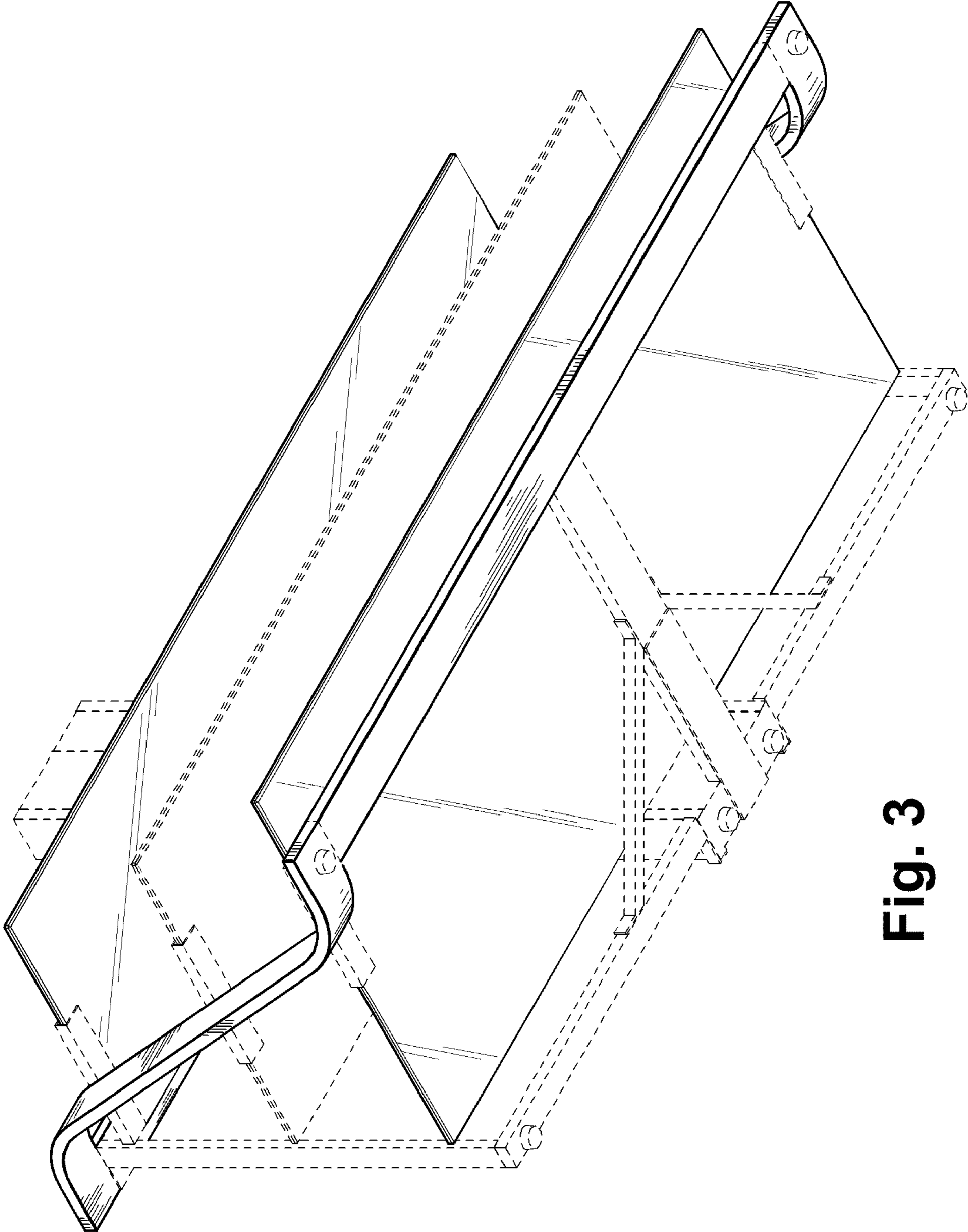


Fig. 3

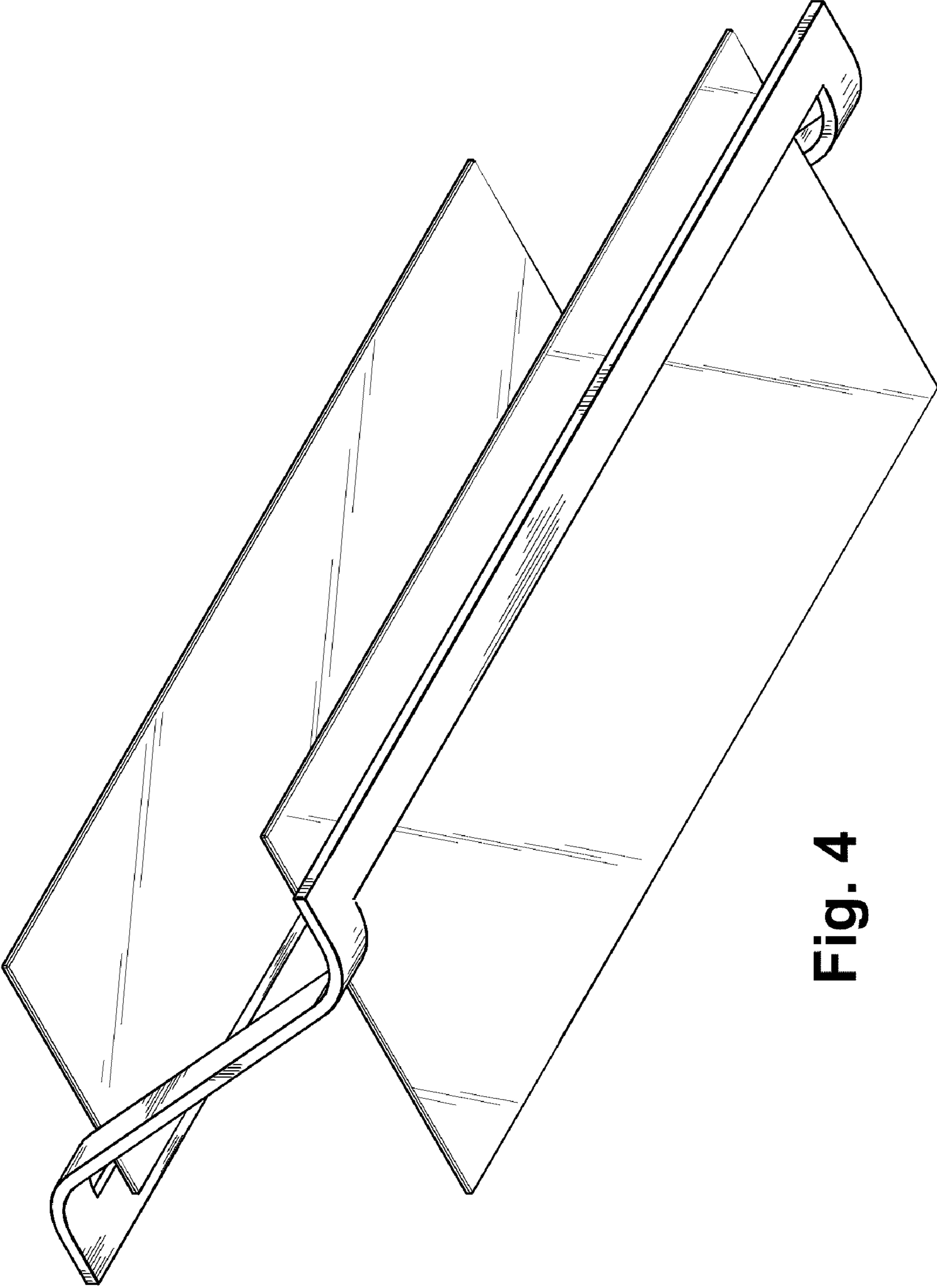


Fig. 4

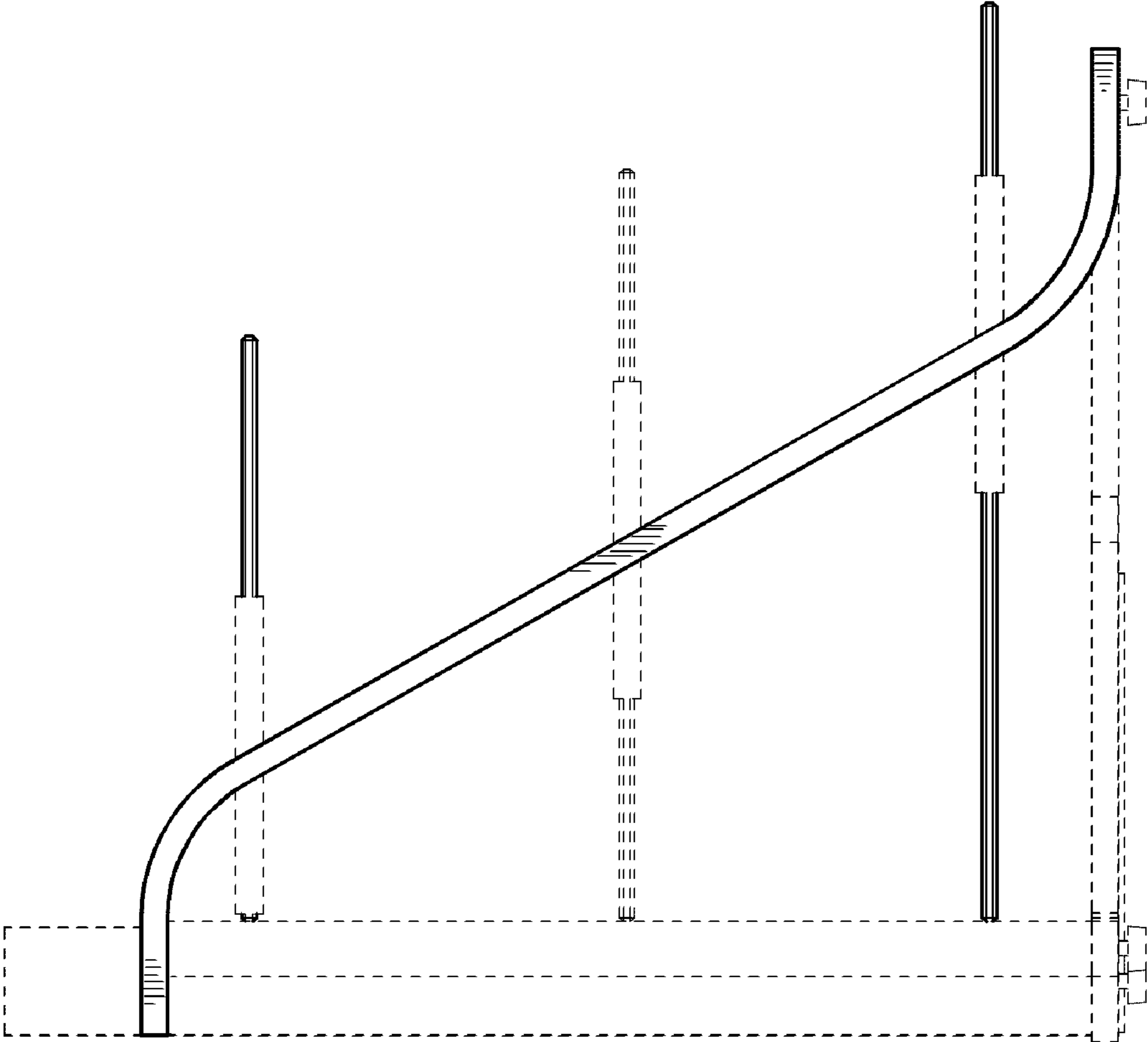


Fig. 5

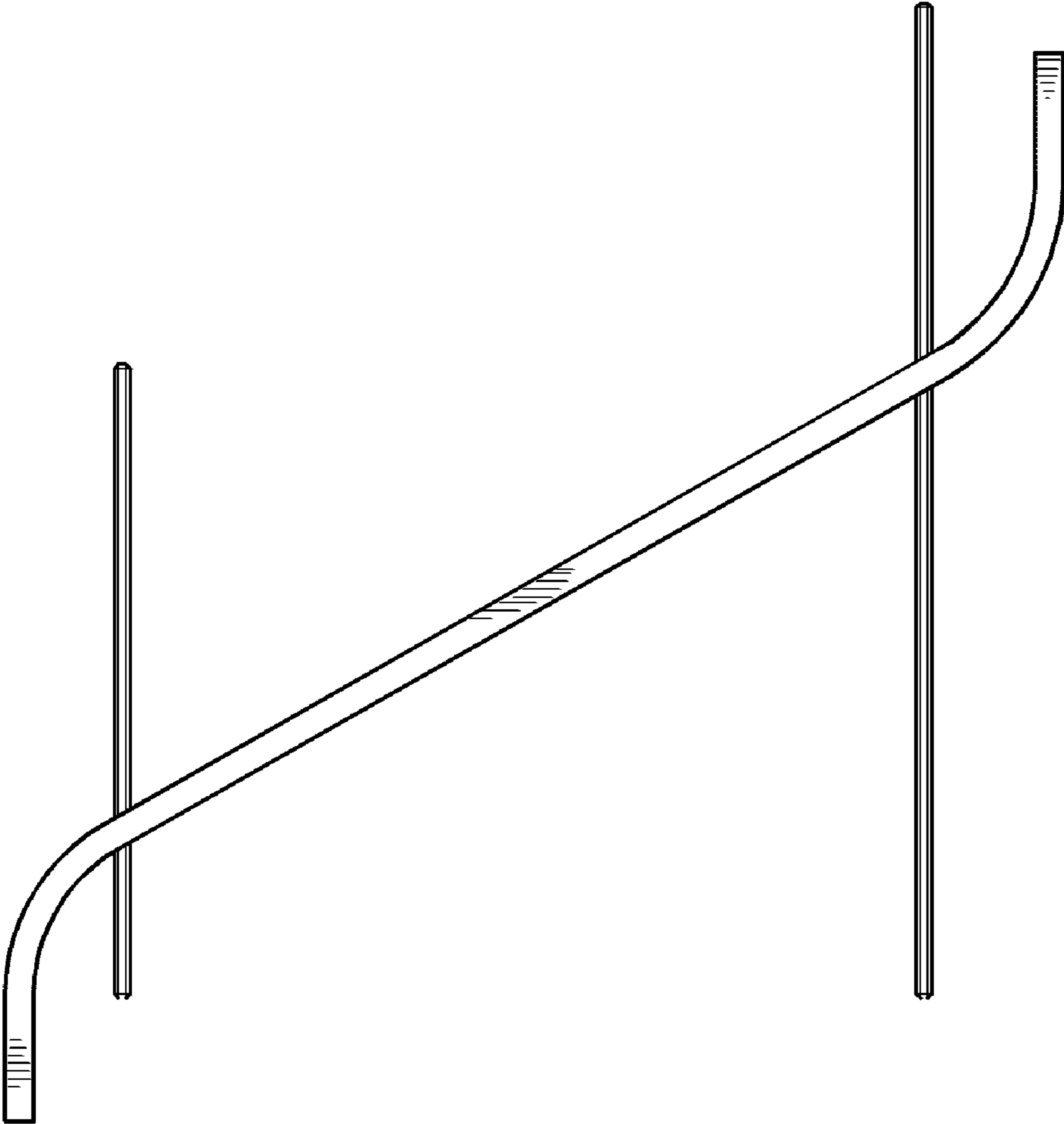


Fig. 6

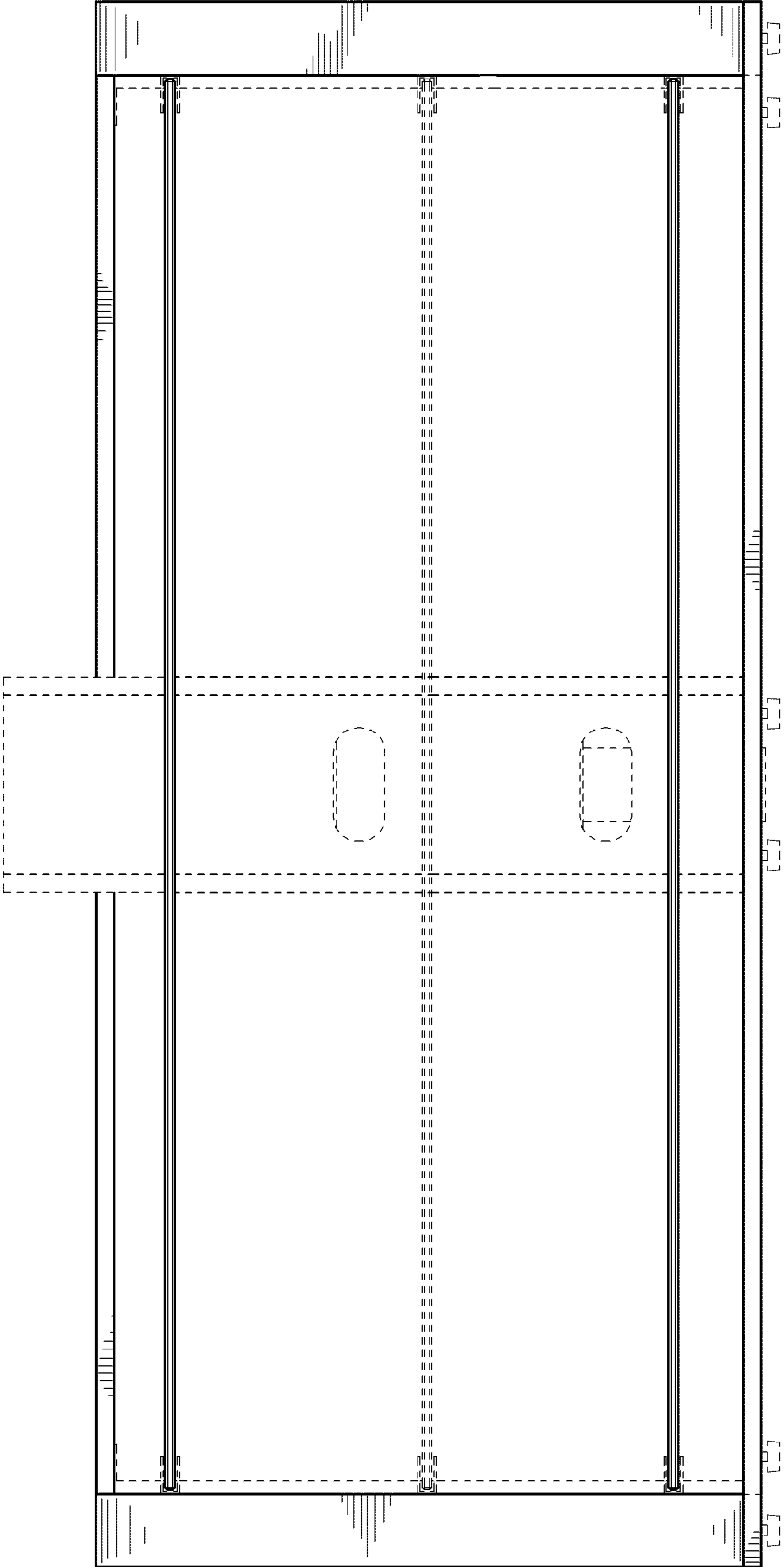


Fig. 7



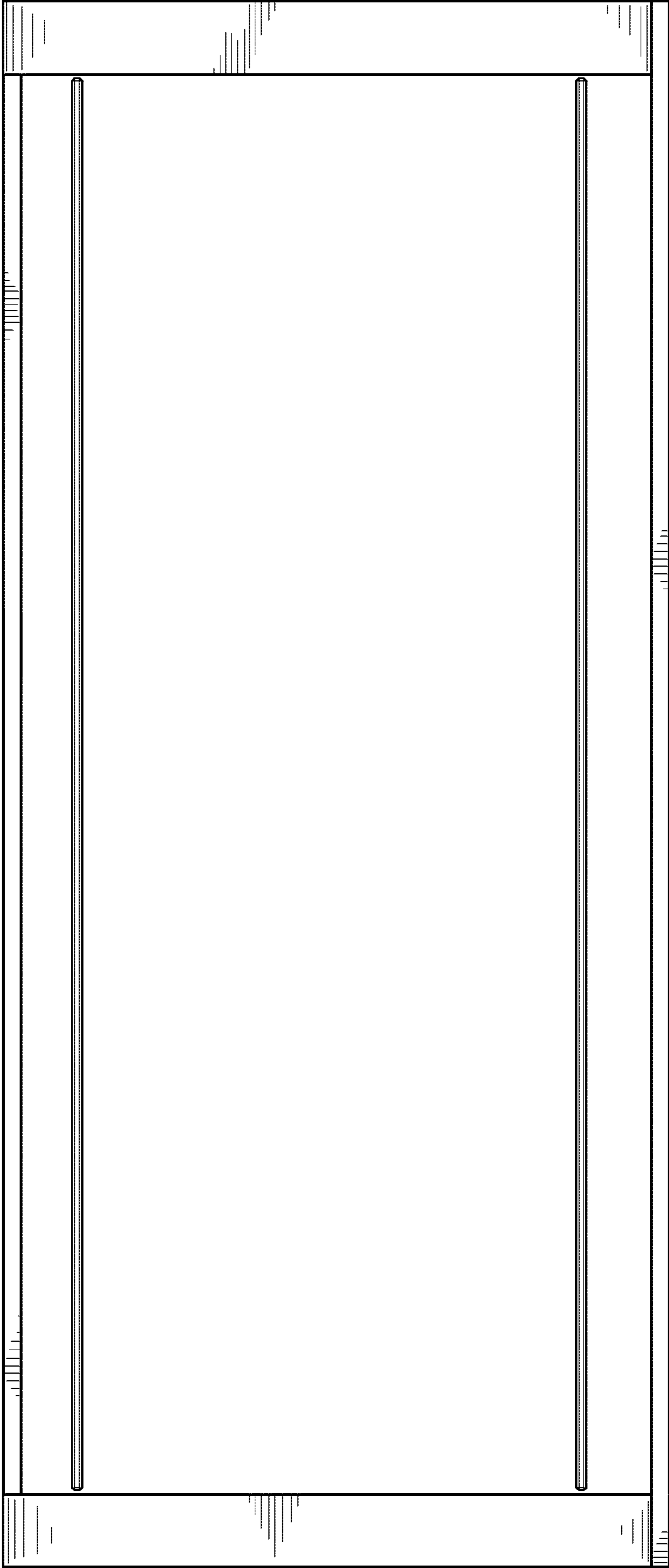


Fig. 8

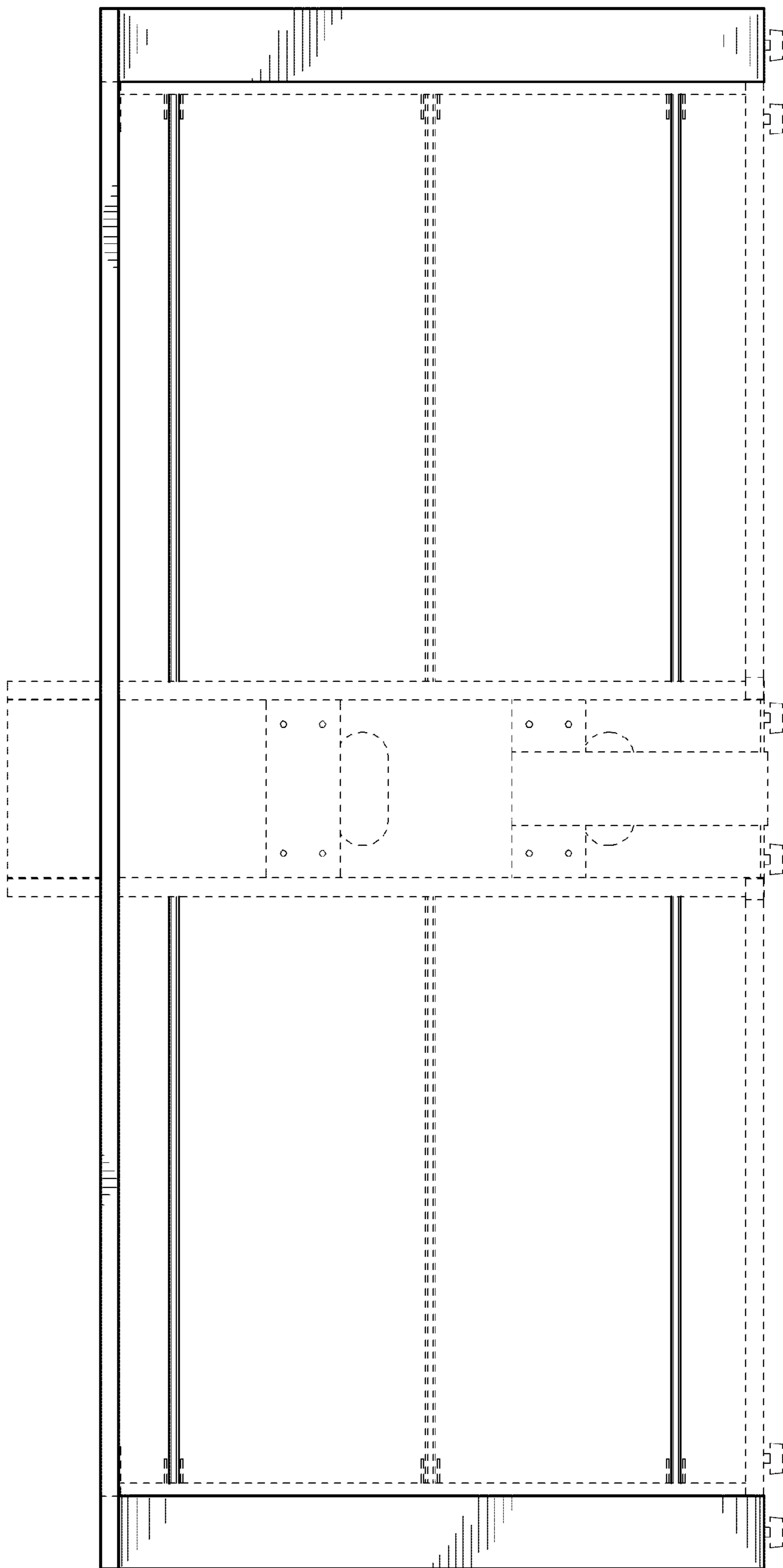


Fig. 9

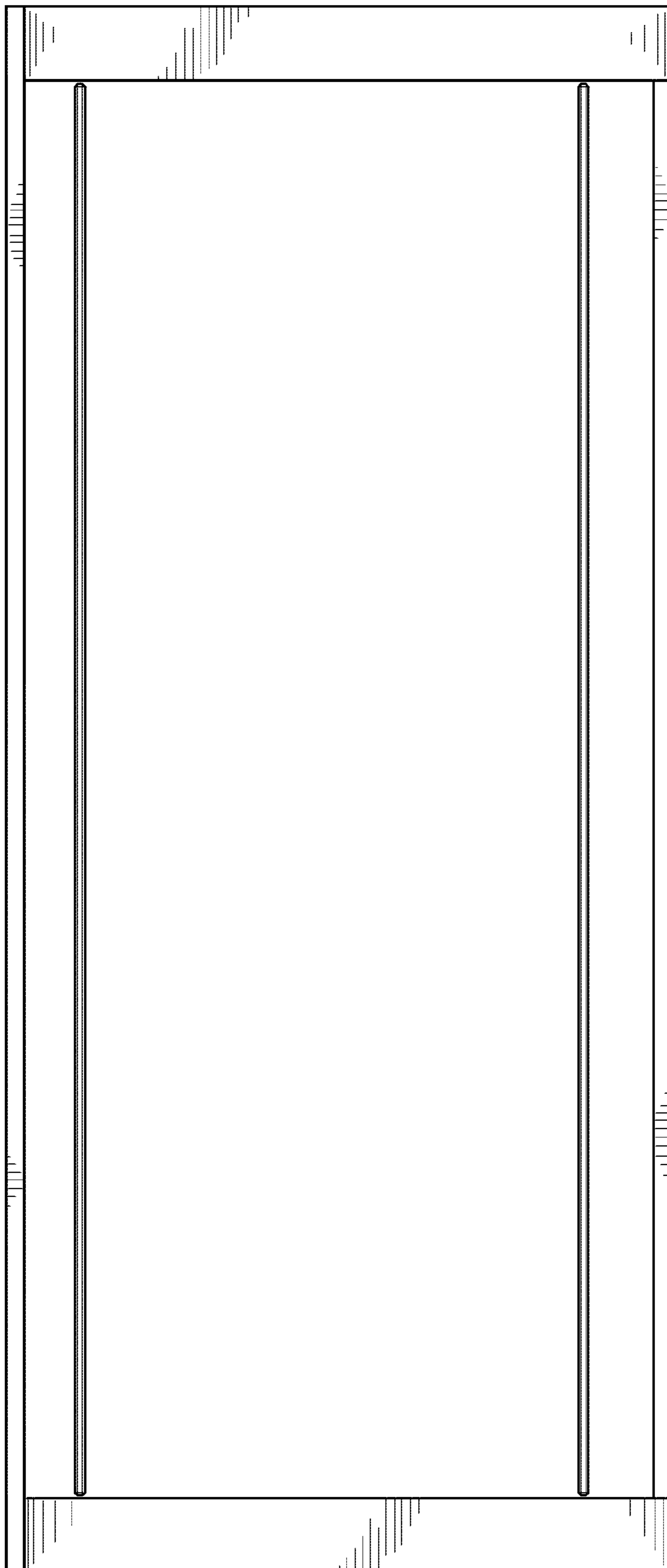


Fig. 10

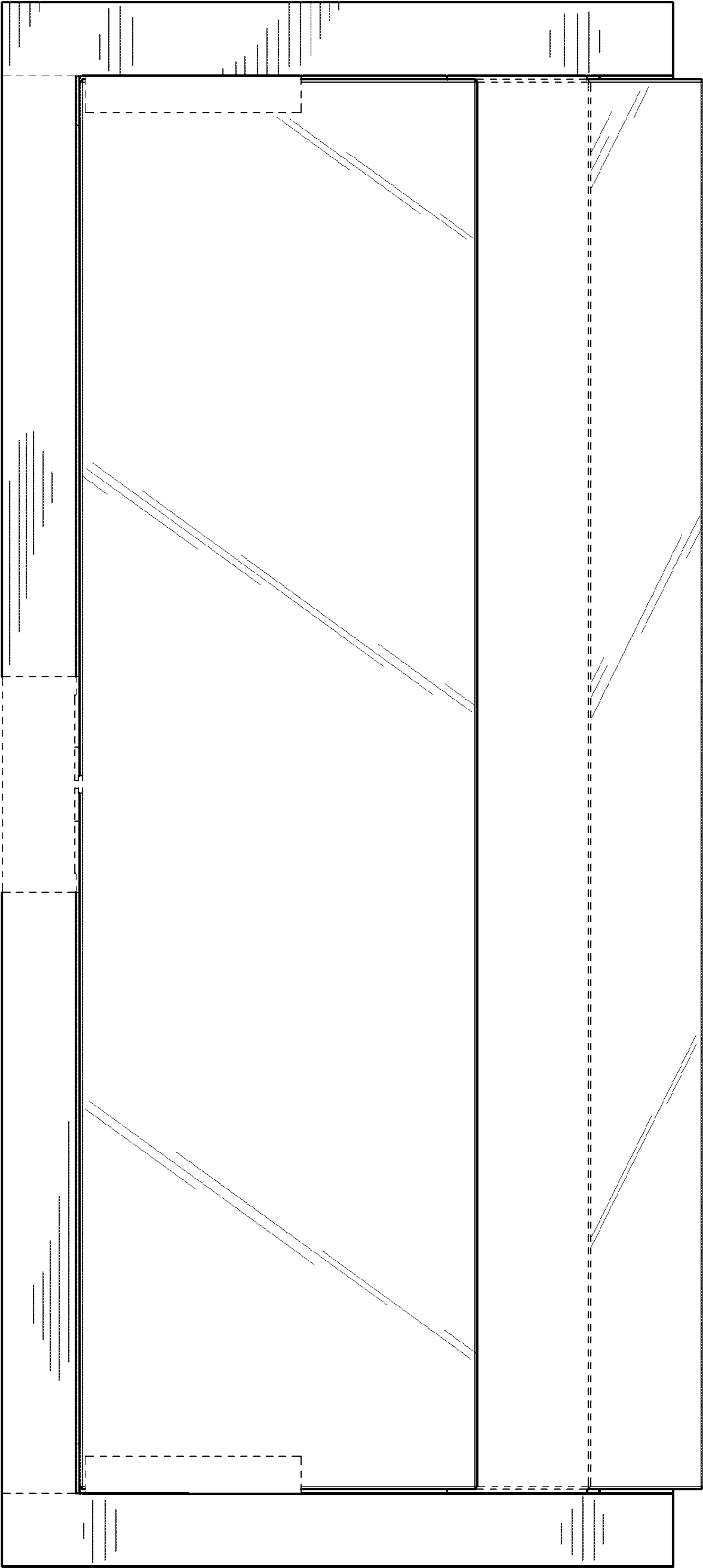


Fig. 11

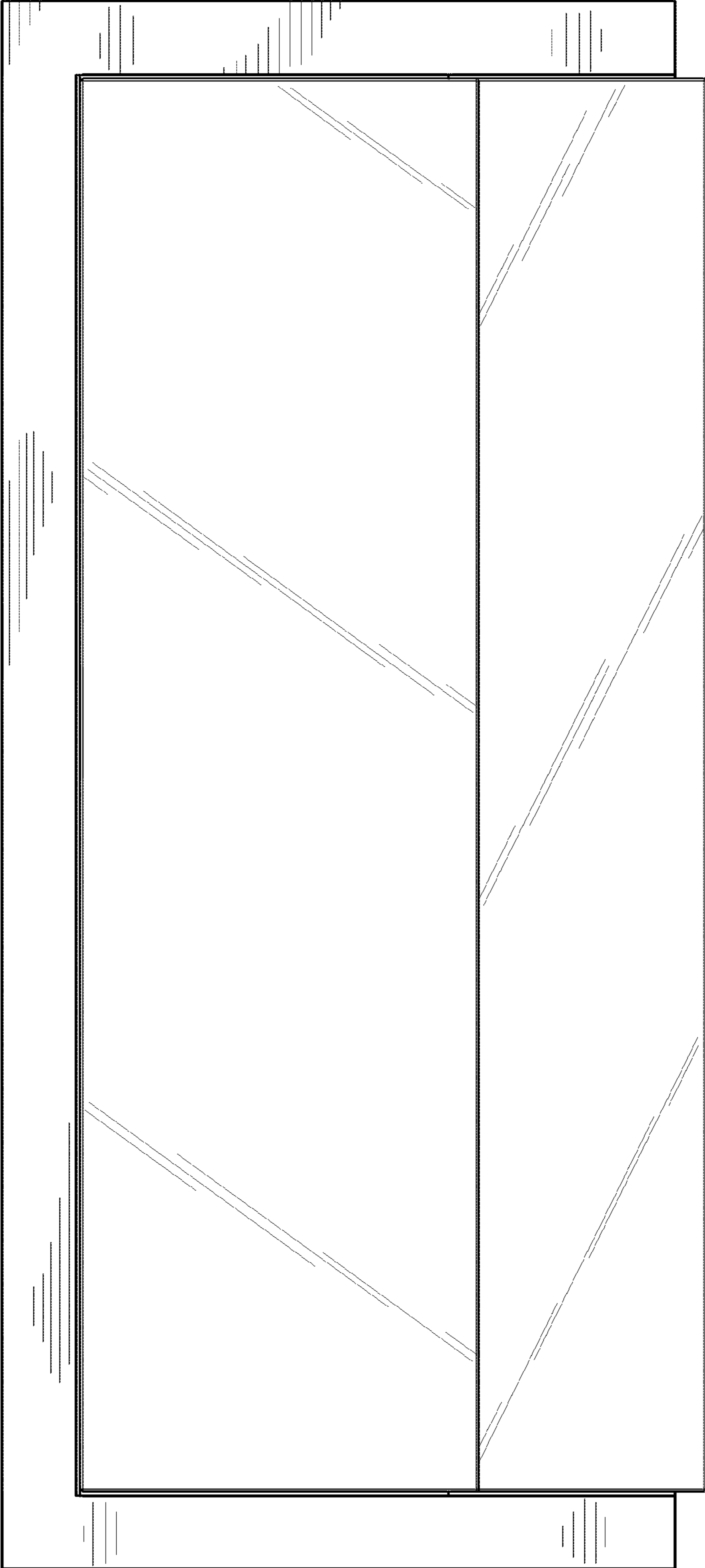


Fig. 12



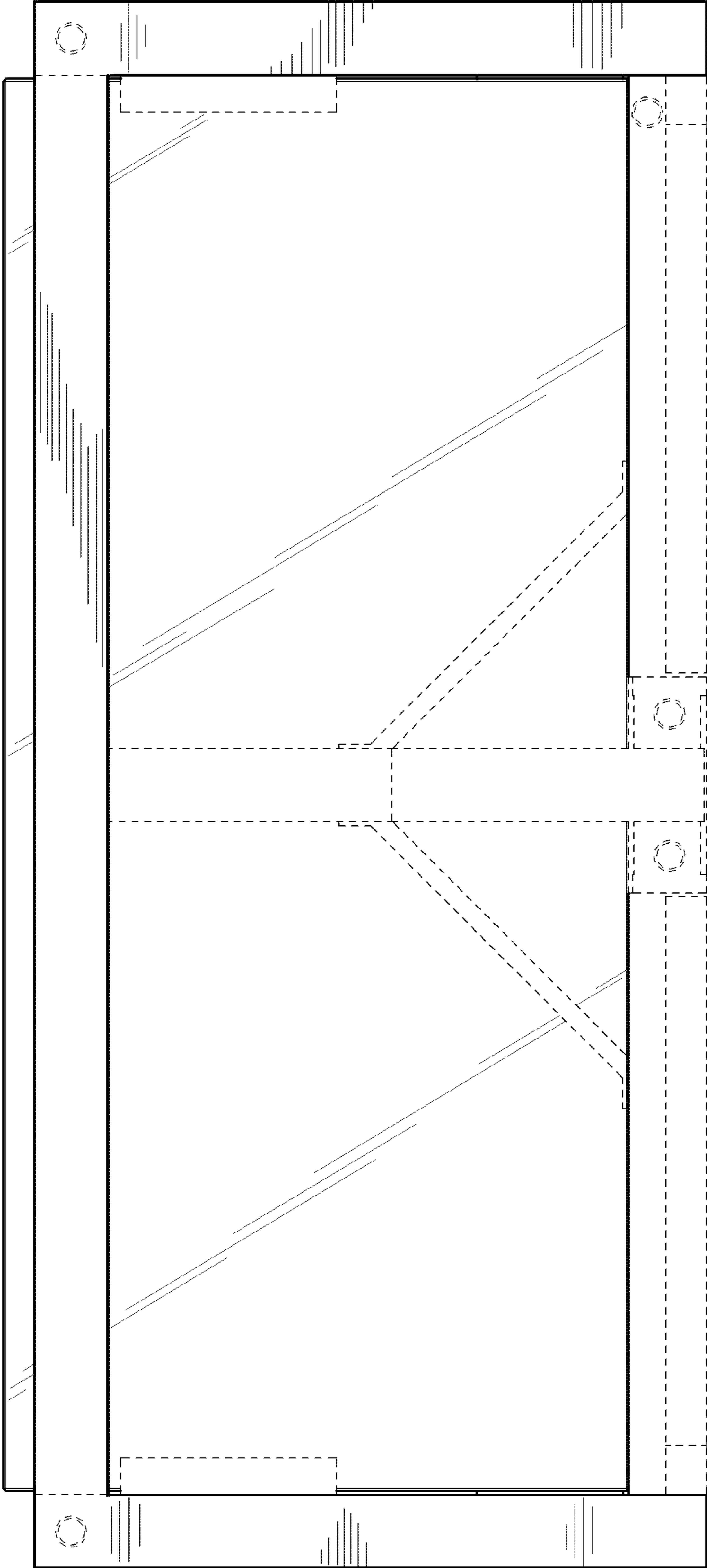


Fig. 13

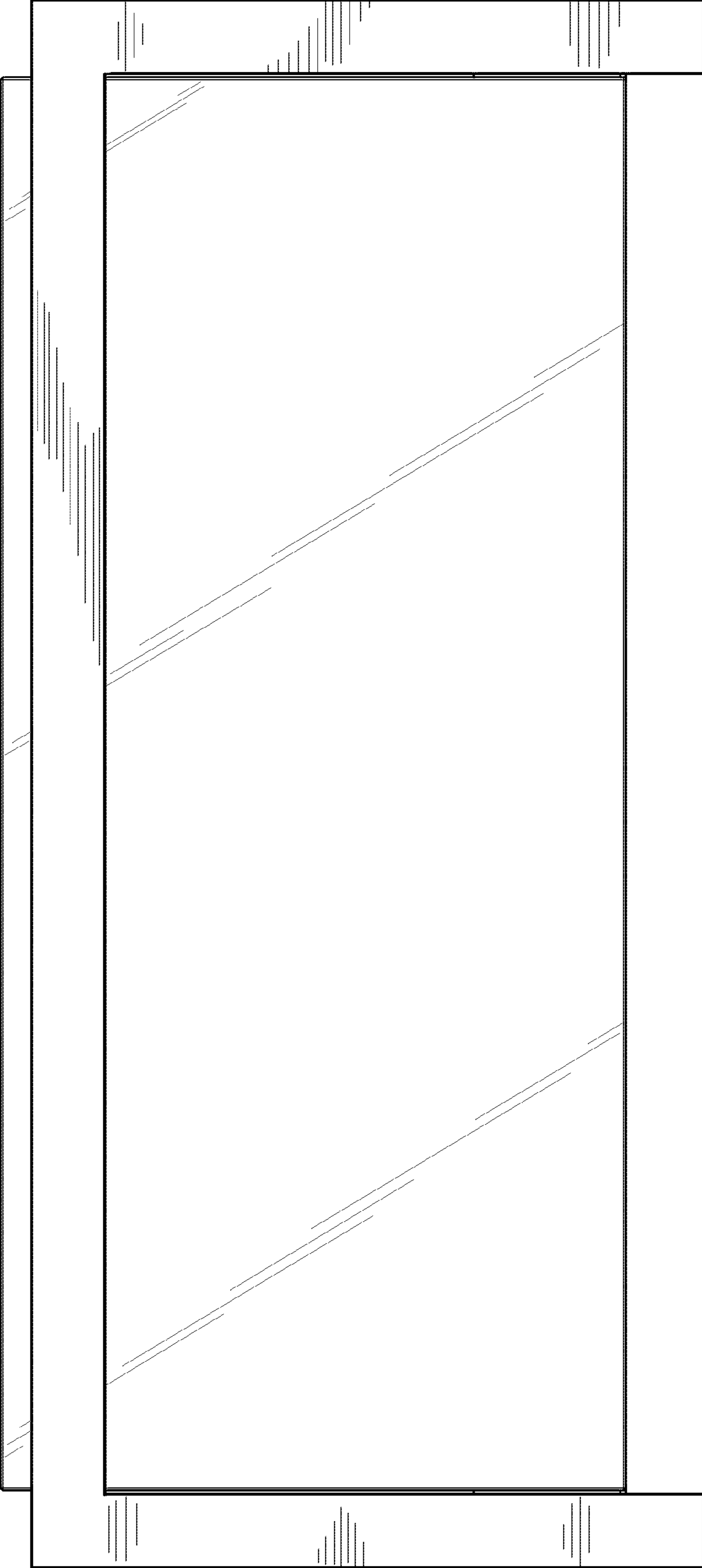


Fig. 14