



US00D601361S

(12) **United States Design Patent**
Schwartz et al.

(10) **Patent No.:** **US D601,361 S**

(45) **Date of Patent:** **** Oct. 6, 2009**

(54) **BENCH**

(75) Inventors: **Elisabeth Schwartz**, Munich (DE);
Michael Waldron, Munich (DE); **Sonja Schiefer**, Munich (DE)

(73) Assignee: **Landscape Forms, Inc.**, Kalamazoo, MI (US)

(**) Term: **14 Years**

(21) Appl. No.: **29/335,532**

(22) Filed: **Apr. 17, 2009**

(51) **LOC (9) Cl.** **06-01**

(52) **U.S. Cl.** **D6/370**

(58) **Field of Classification Search** D6/334-336,
D6/370, 371-373, 374, 376, 379, 380, 381,
D6/500-502; 297/232, 411.42, 445.1, 446.1,
297/448.1, 448.2, 452.63

See application file for complete search history.

(56) **References Cited**

U.S. PATENT DOCUMENTS

D225,194 S * 11/1972 Ruth D6/370
D237,434 S * 11/1975 Le May, Jr. D6/370

D256,192 S * 8/1980 Lofton D6/370
D257,808 S * 1/1981 Haggard D6/370
D294,782 S * 3/1988 Balderi D6/373
D296,961 S * 8/1988 Norton D6/370
D509,675 S * 9/2005 Reza-Hadden D6/381

* cited by examiner

Primary Examiner—Mimosa De

(74) *Attorney, Agent, or Firm*—Heslin Rothenberg Farley & Mesiti P.C.

(57) **CLAIM**

The ornamental design for a bench, as shown and described.

DESCRIPTION

FIG. 1 is an isometric view of the bench of the present design;

FIG. 2 is a front elevation view thereof;

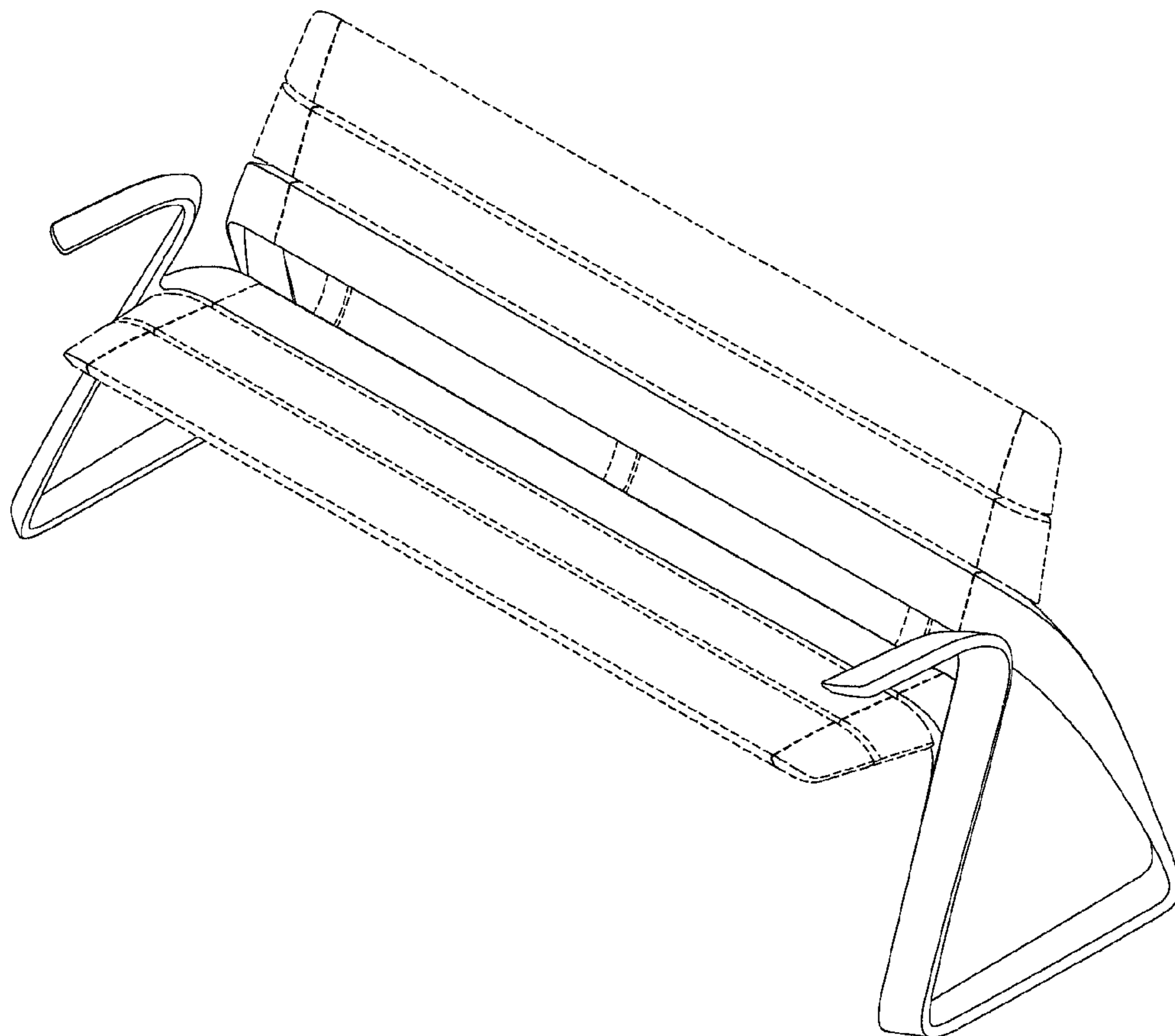
FIG. 3 is a right side elevation view thereof, the left side elevation view being a mirror image thereof;

FIG. 4 is a rear elevation view thereof; and,

FIG. 5 is a top plan view thereof.

The broken lines in the figures are for illustrative purposes only and form no part of the claimed invention.

1 Claim, 5 Drawing Sheets



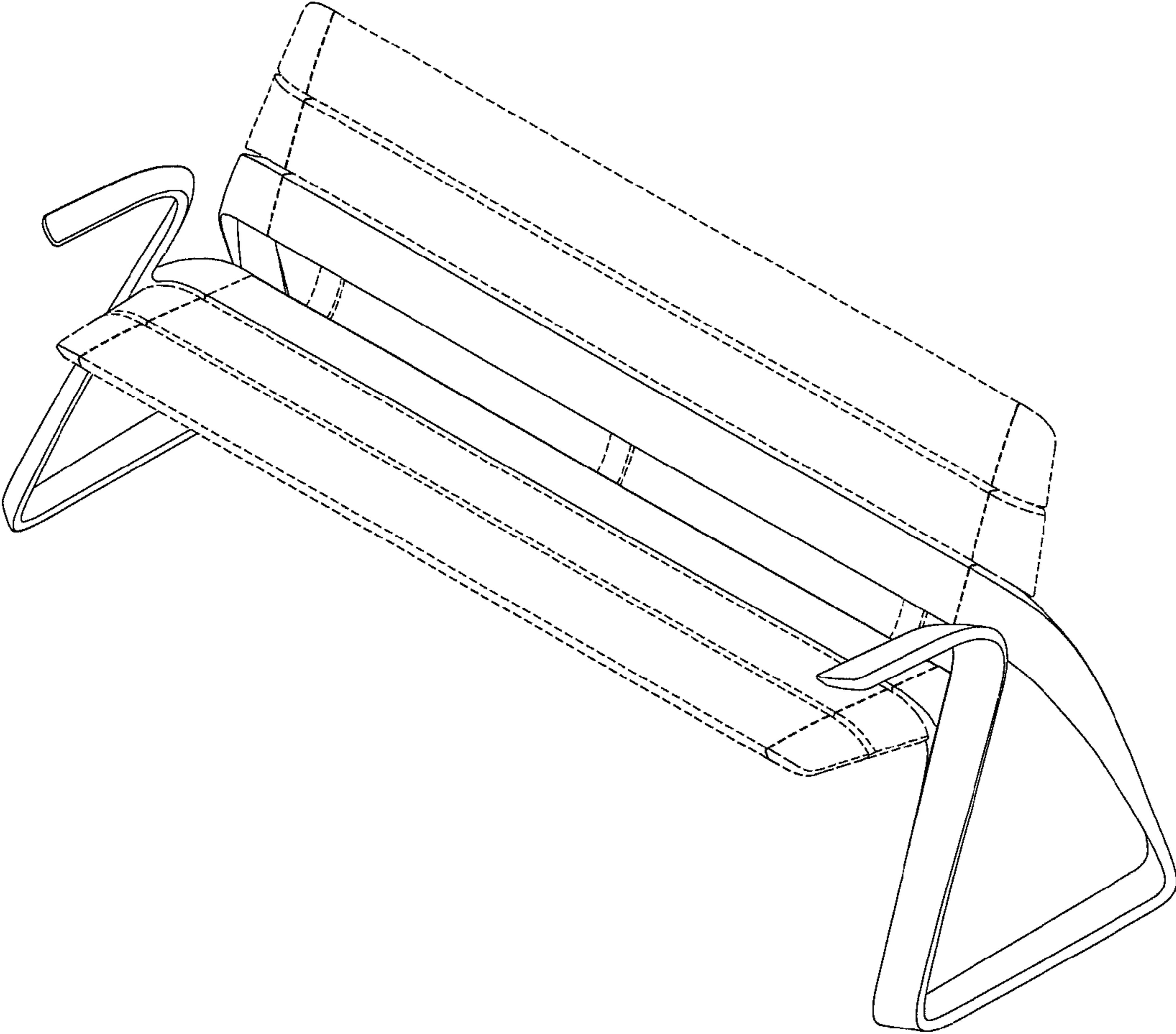


FIG. 1

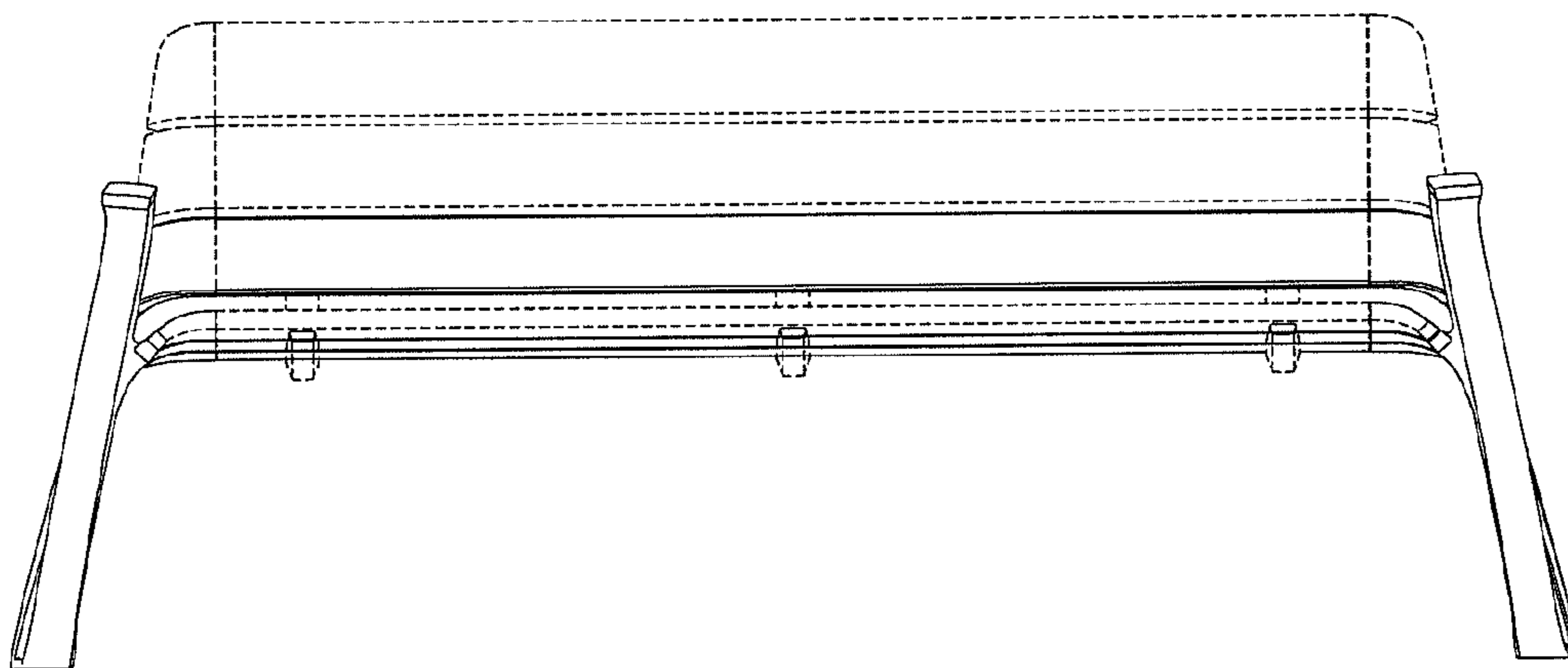


FIG. 2

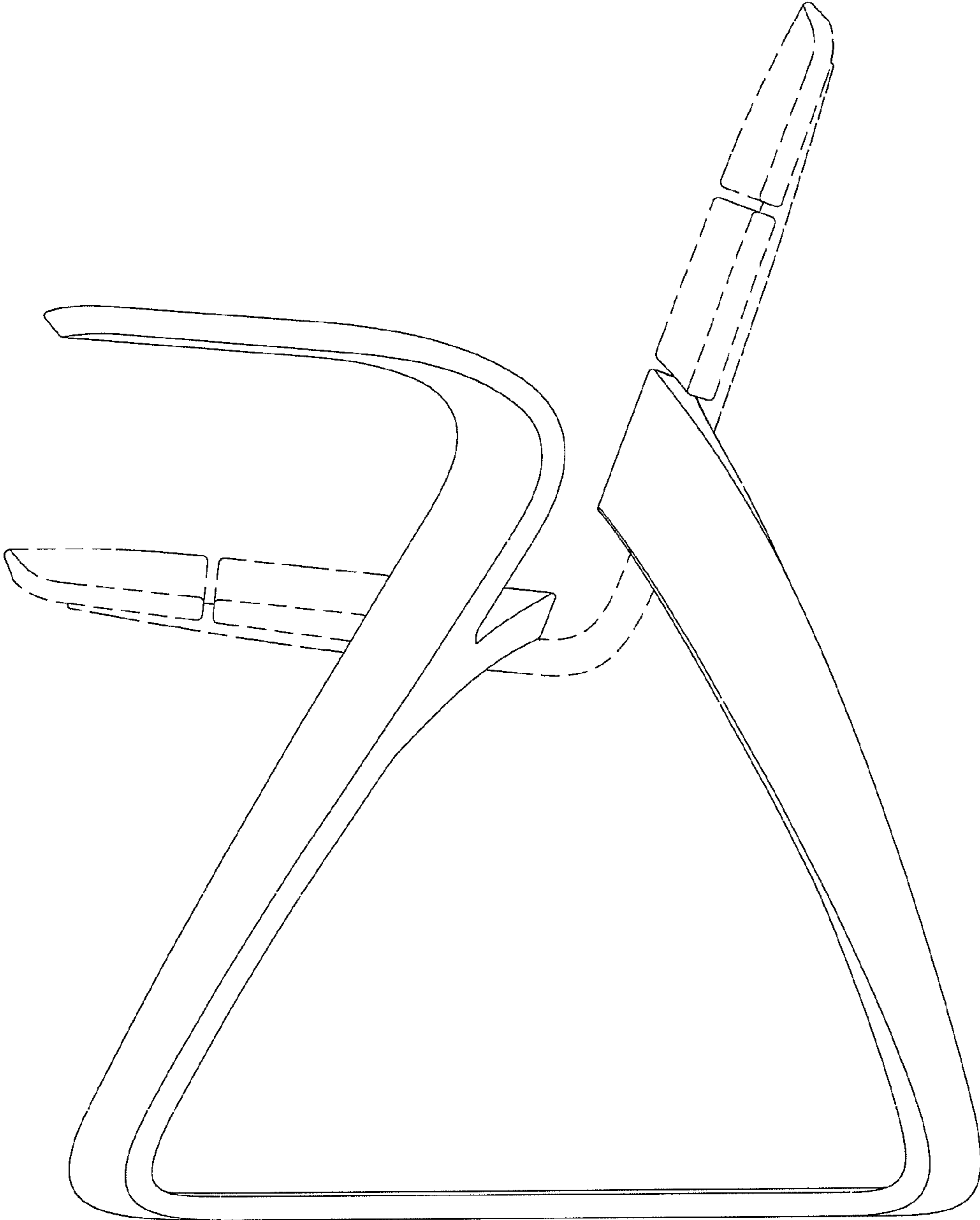


FIG. 3

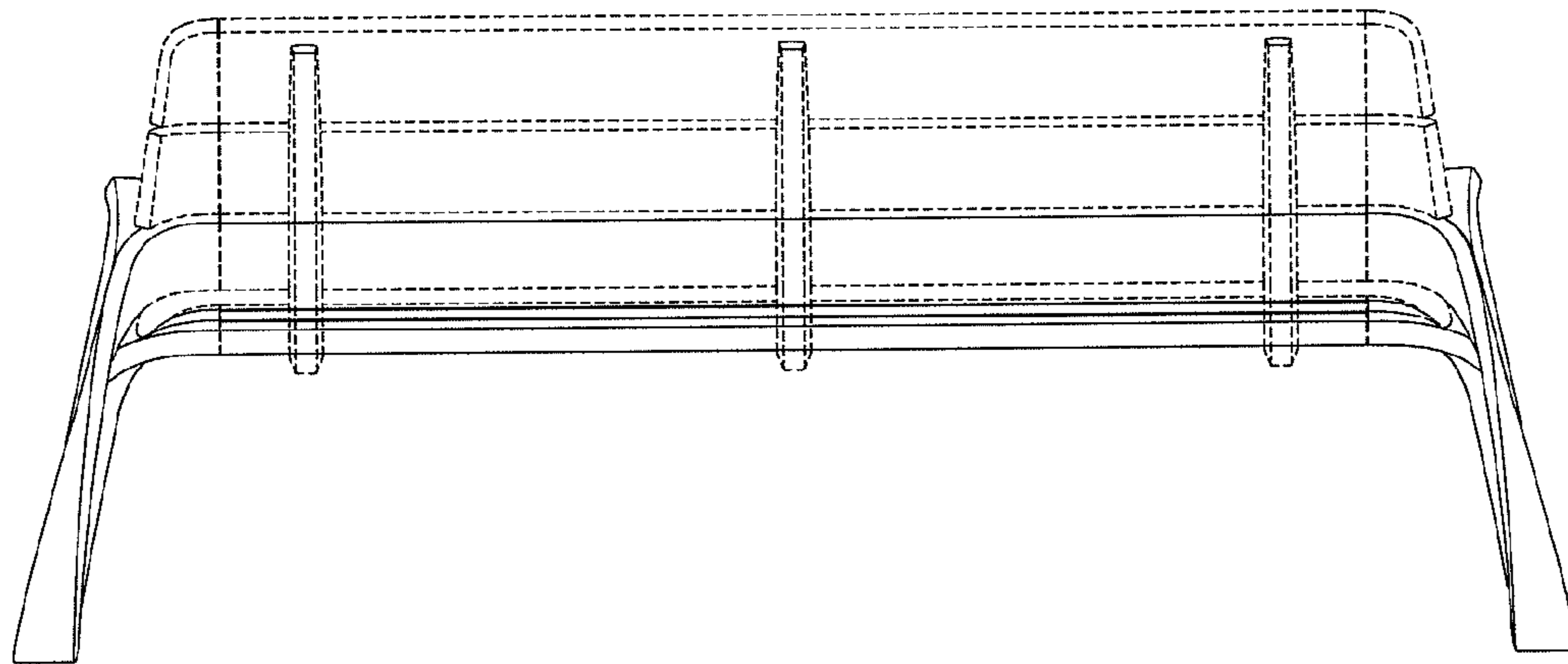


FIG. 4

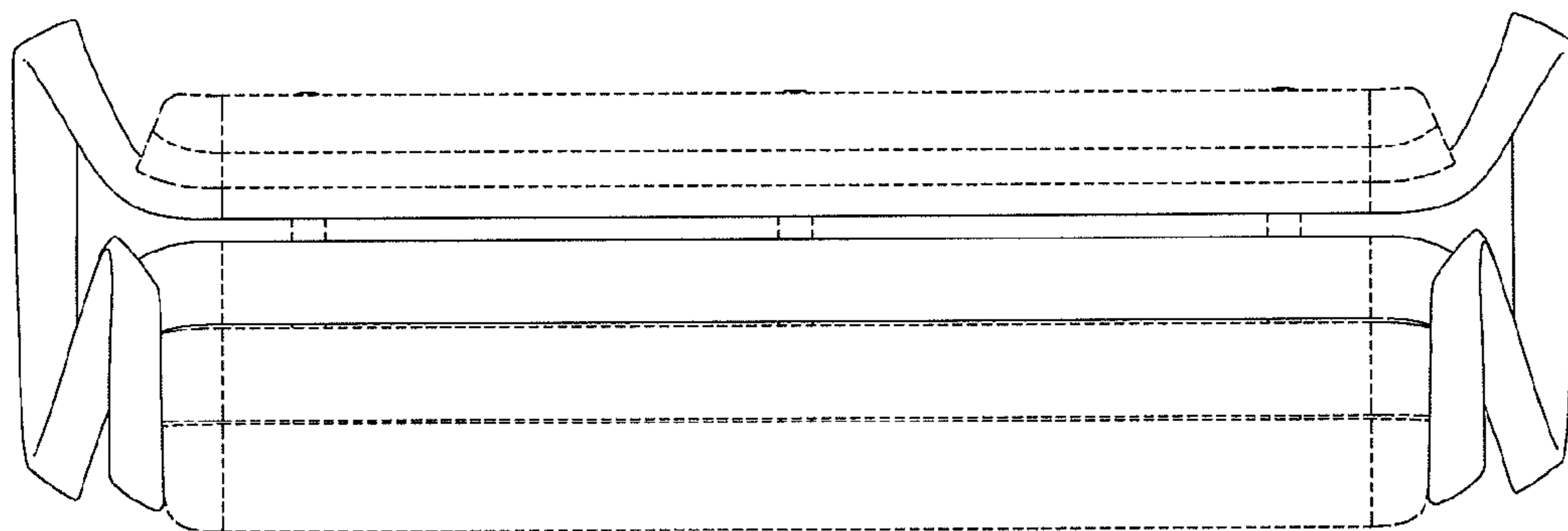


FIG. 5