



US00D601360S

(12) **United States Design Patent**
Tierney

(10) **Patent No.:** **US D601,360 S**
(45) **Date of Patent:** **** Oct. 6, 2009**

(54) **CHAIR**

(75) Inventor: **Martin Tierney**, Limavady (GB)

(73) Assignee: **sEATING Matters Ltd.**, Limavady (GB)

(**) Term: **14 Years**

(21) Appl. No.: **29/335,028**

(22) Filed: **Apr. 7, 2009**

(51) **LOC (9) Cl.** **06-01**

(52) **U.S. Cl.** **D6/367**

(58) **Field of Classification Search** D6/334-336,
D6/360, 361, 367, 371, 373, 492, 500-502;
297/68, 84, 85, 411.42, 411.45, 423.1, 445.1,
297/446.1; D12/178, 183; D24/128, 131;
5/618, 640

See application file for complete search history.

(56) **References Cited**

U.S. PATENT DOCUMENTS

D231,878 S * 6/1974 Kellum D6/367
D263,434 S * 3/1982 Miller D6/360
D364,971 S * 12/1995 Sterlacci D6/367
5,868,461 A * 2/1999 Brotherston 297/84
6,014,783 A * 1/2000 Collier et al. 5/618

7,069,608 B2 * 7/2006 Failor et al. 5/618
D532,984 S * 12/2006 Bennett D6/367
D541,064 S * 4/2007 Miller et al. D6/367
D551,869 S * 10/2007 Zambelli D6/367
D577,922 S * 10/2008 Boisieux D6/356
2006/0253984 A1 * 11/2006 Dewert 5/618

* cited by examiner

Primary Examiner—Mimosa De

(74) *Attorney, Agent, or Firm*—Robert K. Roth; Miller, Canfield, Paddock and Stone PLC

(57) **CLAIM**

The ornamental design for a chair, as shown and described.

DESCRIPTION

FIG. 1 is a front side perspective view of a chair.

FIG. 2 is a rear side perspective view of the chair of FIG. 1.

FIG. 3 is a side view of the chair of FIG. 1.

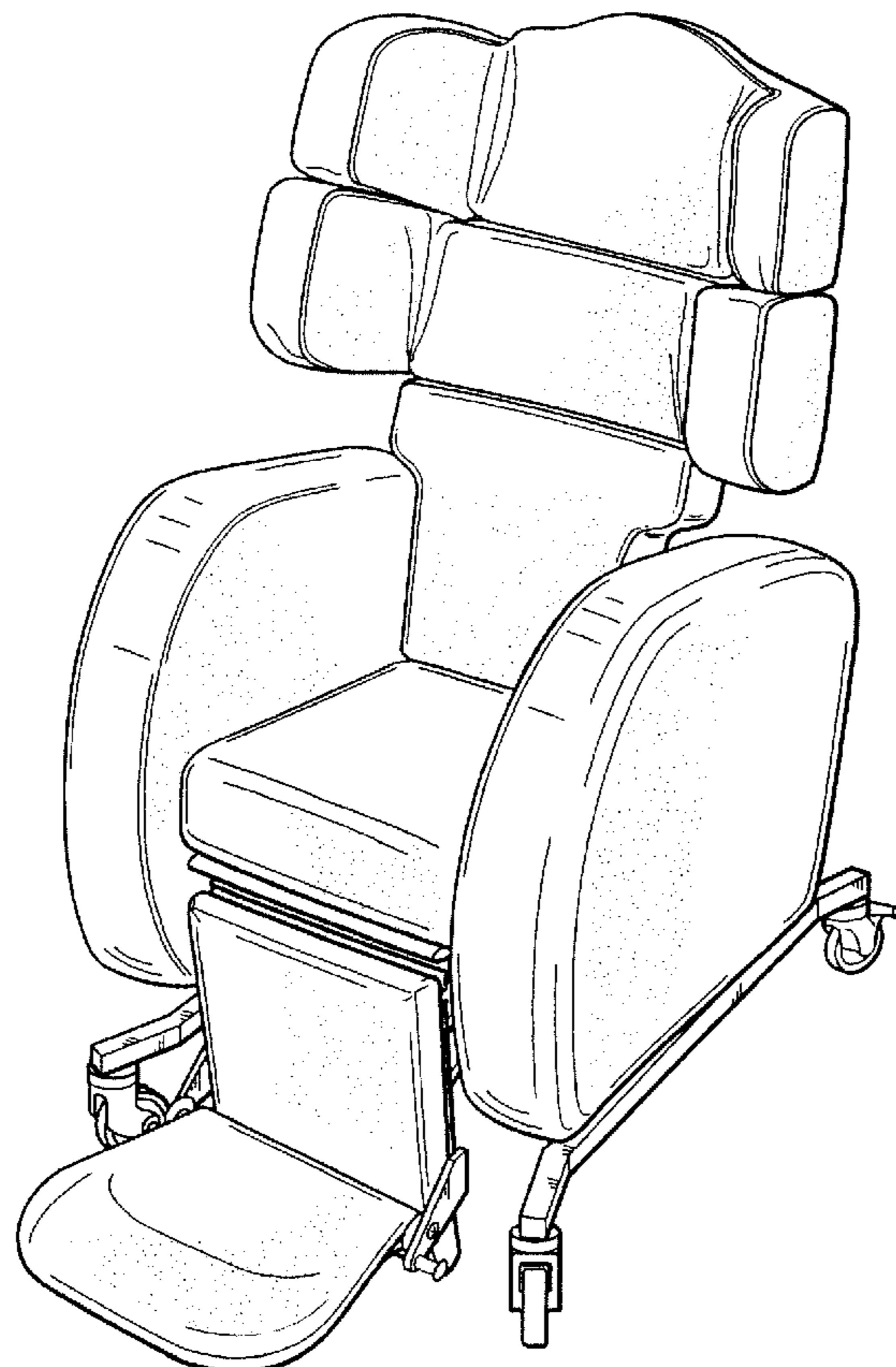
FIG. 4 is a front side view of the chair of FIG. 1.

FIG. 5 is a rear side view of the chair of FIG. 1; and,

FIG. 6 is a top side view of the chair of FIG. 1.

The broken lines shown in the drawing is for environmental structure only and forms no part of the claimed design.

1 Claim, 6 Drawing Sheets



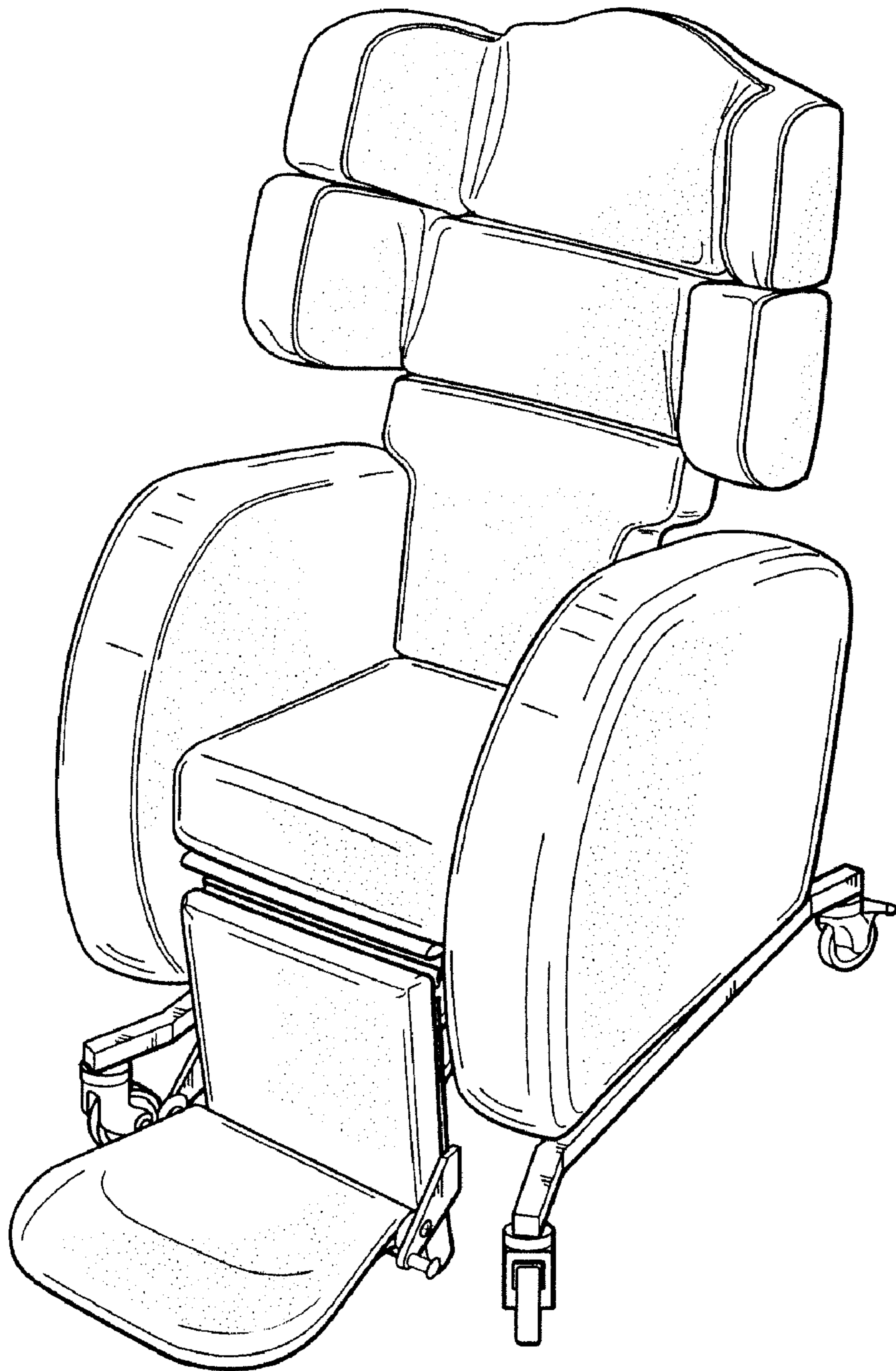


Fig. 1

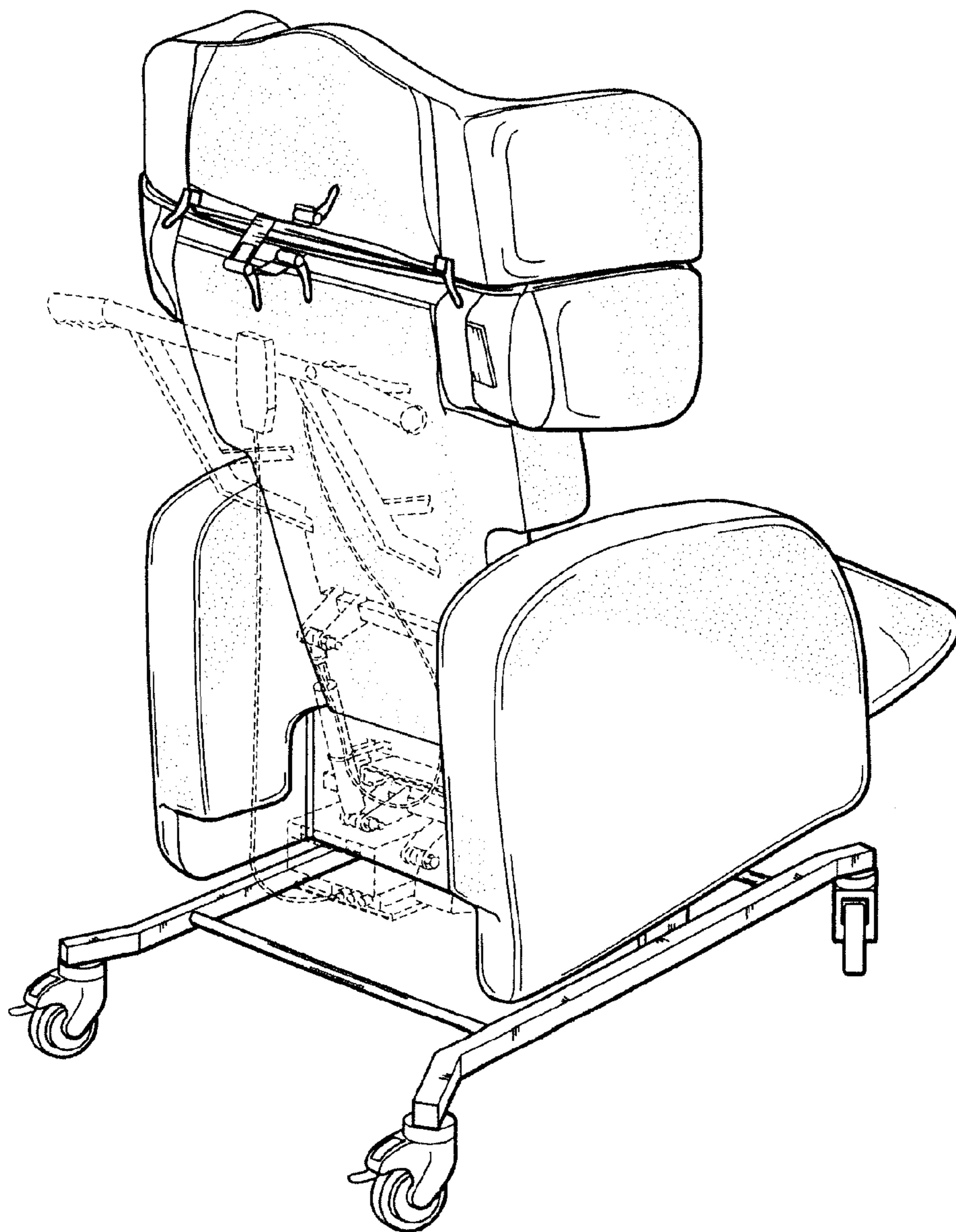


Fig. 2

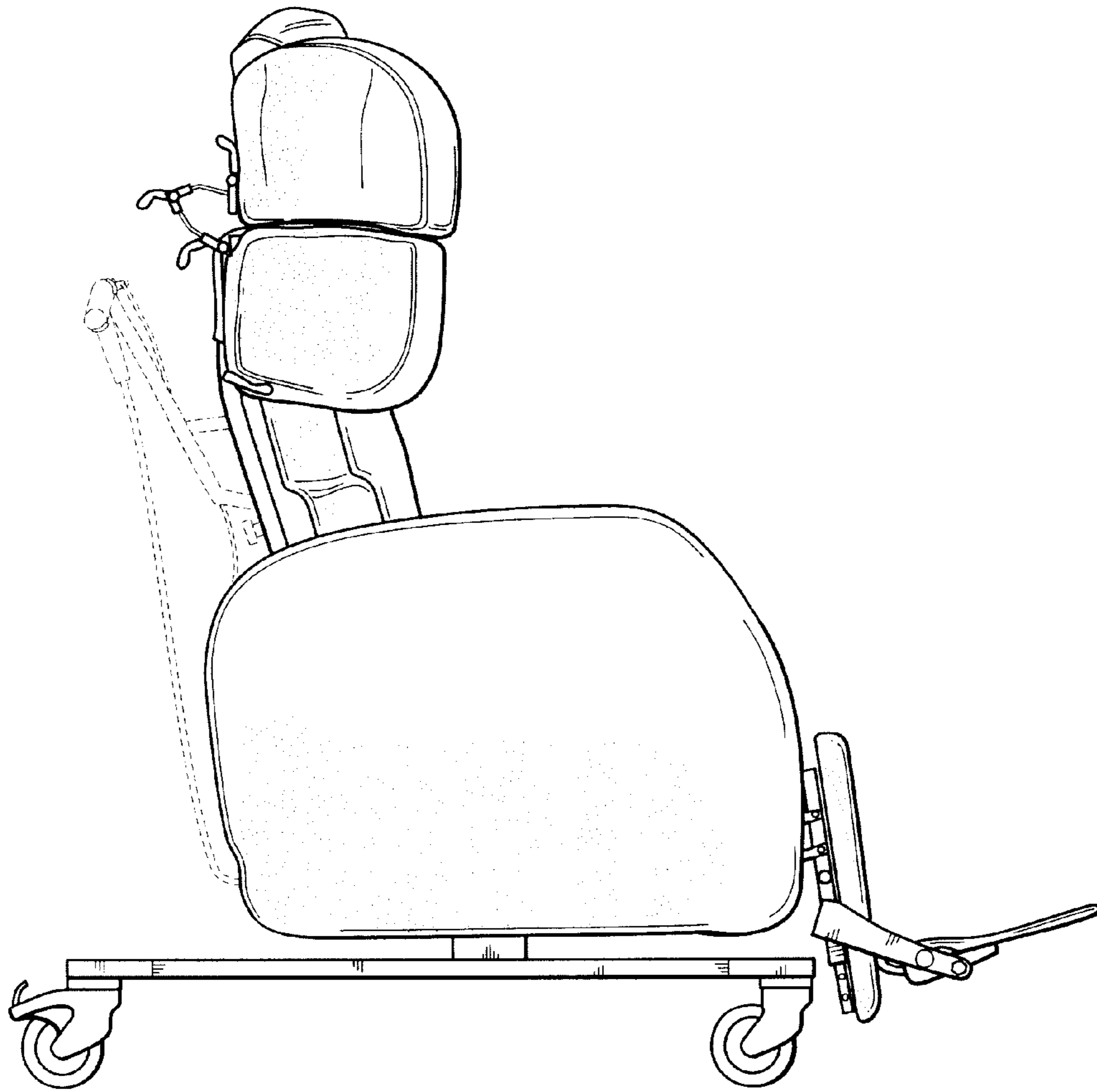


Fig. 3

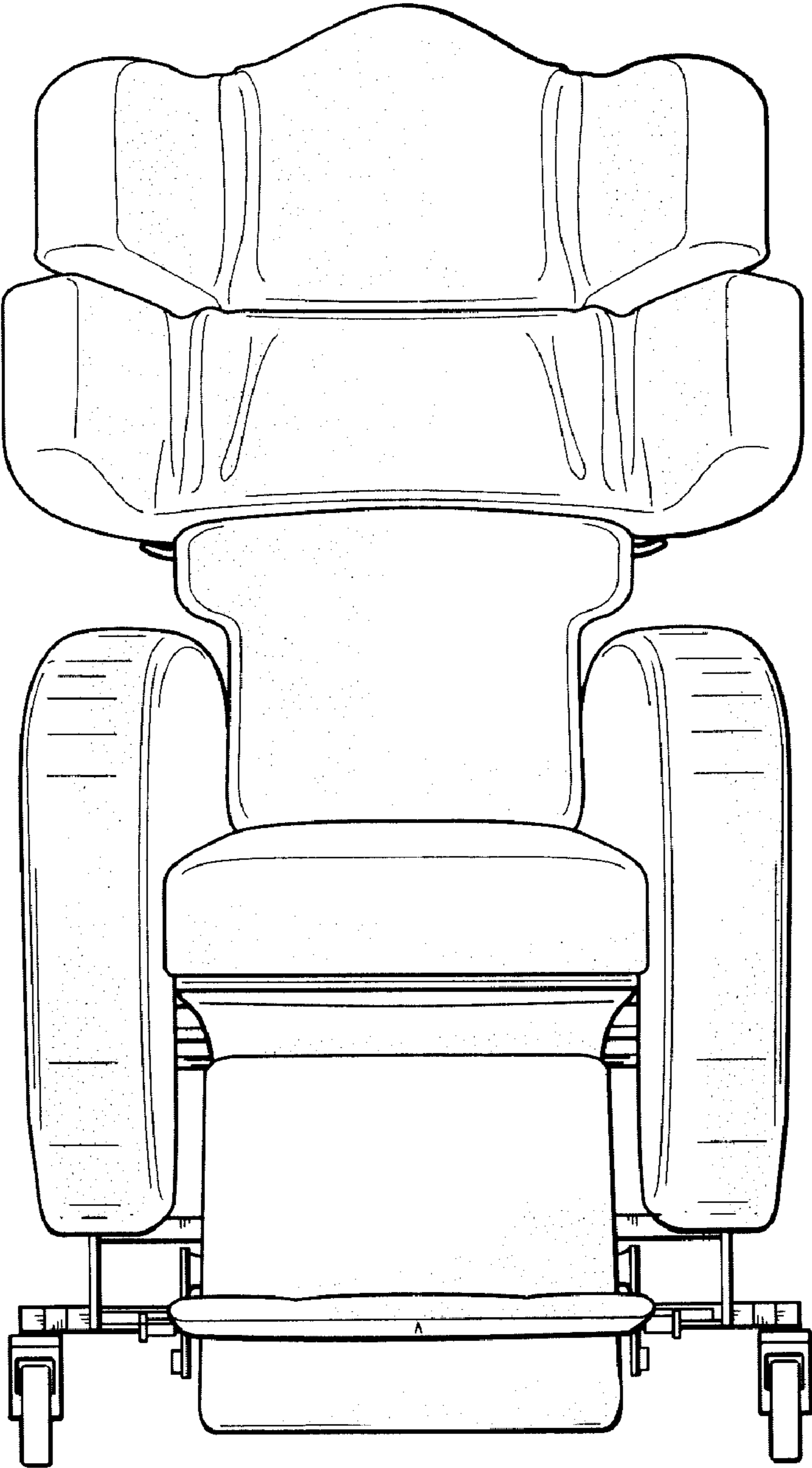


Fig. 4

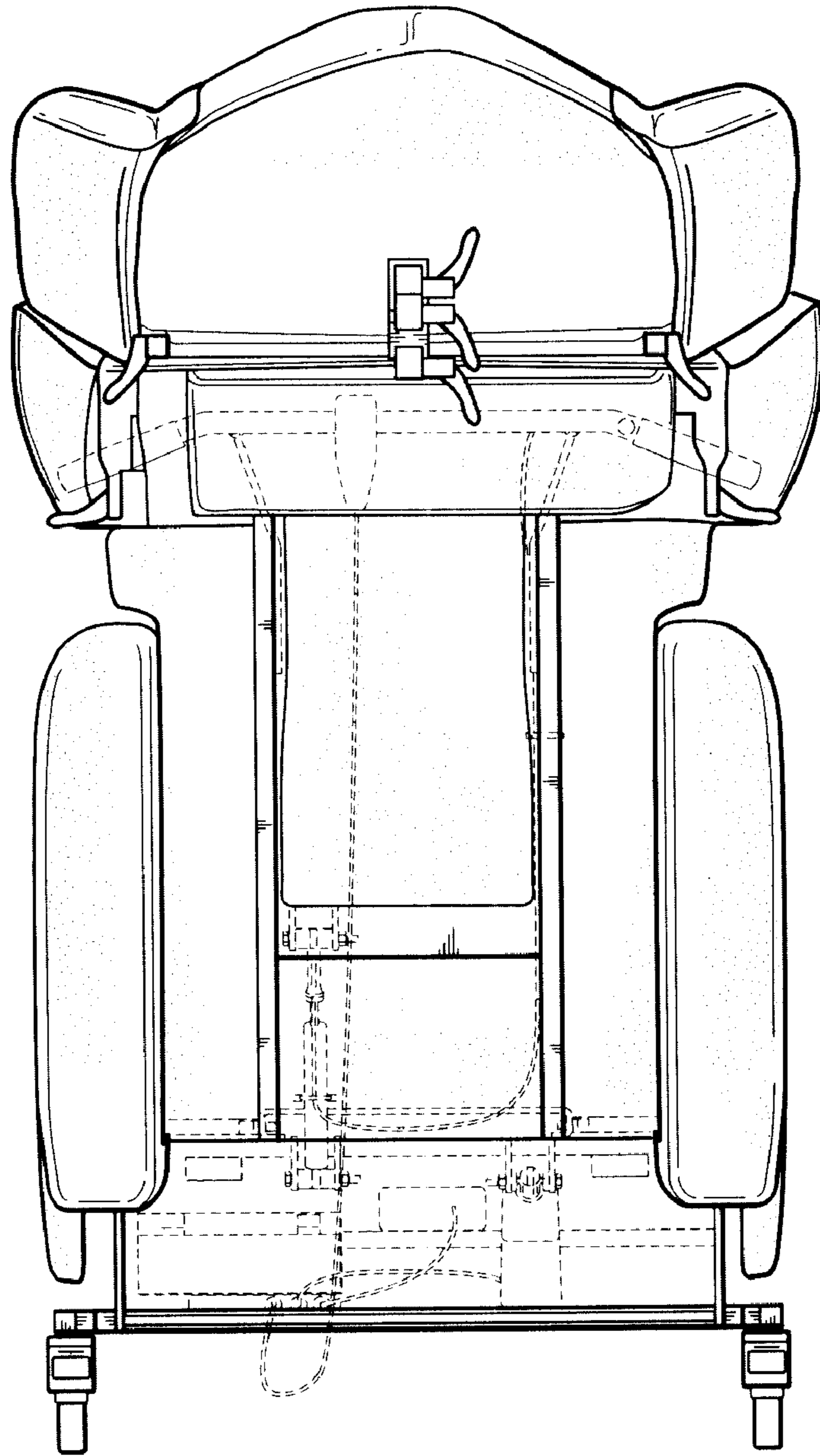


Fig. 5

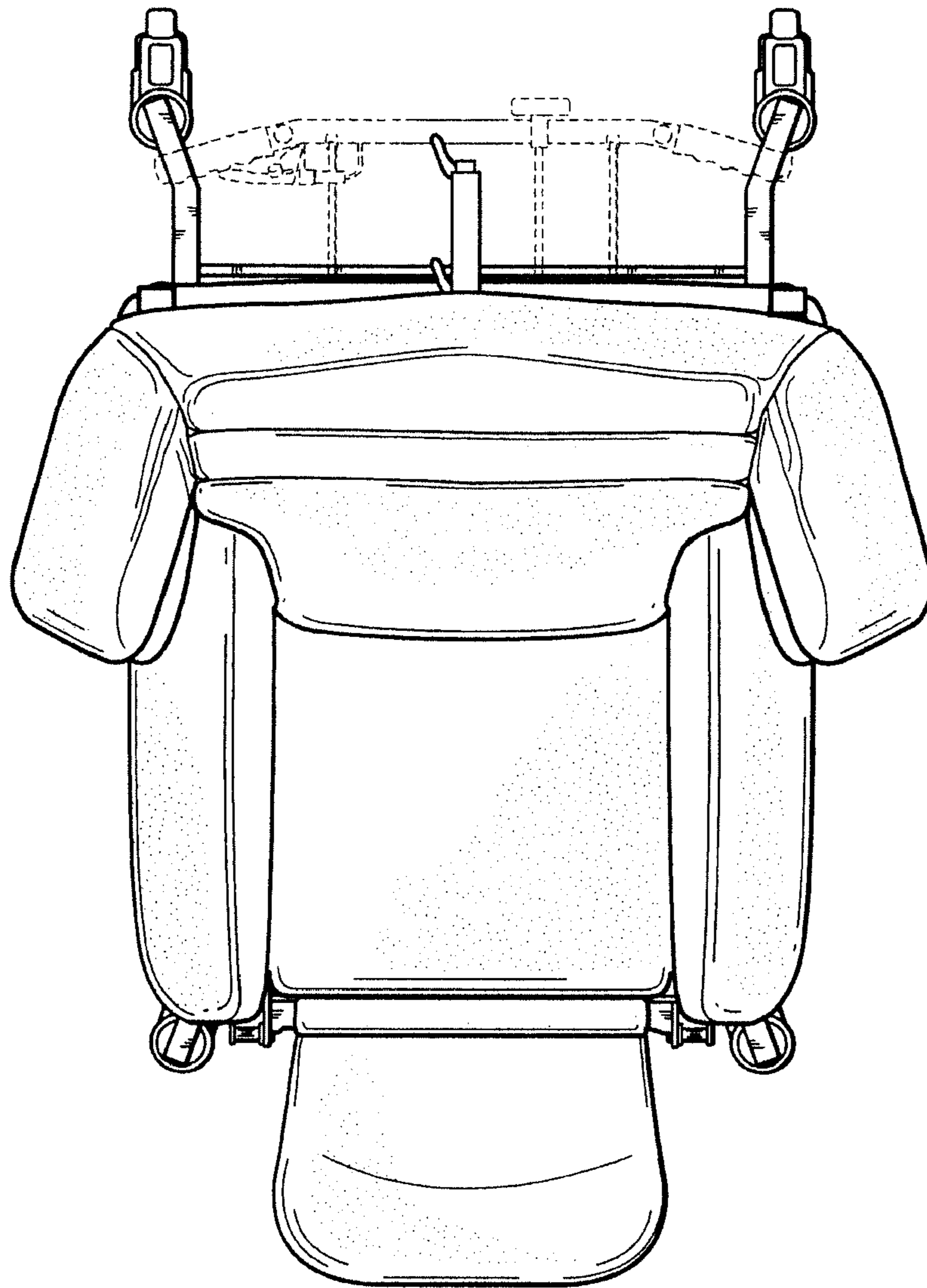


Fig. 6