



US00D601358S

(12) **United States Design Patent**
Yu

(10) **Patent No.:** **US D601,358 S**
(45) **Date of Patent:** **** Oct. 6, 2009**

(54) **INFANT SWING CHAIR**

(75) Inventor: **Fu-Sian Yu, Taipei (TW)**

(73) Assignee: **BP Children's Product HK Co., Limited, Kwun Tong, Kowloon (HK)**

(**) Term: **14 Years**

(21) Appl. No.: **29/338,182**

(22) Filed: **Jun. 5, 2009**

(30) **Foreign Application Priority Data**

Dec. 8, 2008 (CN) 2008 3 0257681

(51) **LOC (9) Cl.** **06-01**

(52) **U.S. Cl.** **D6/344**

(58) **Field of Classification Search** D6/333,
D6/334, 344, 347, 368, 374, 375, 500-502;
D21/823; 297/184.1, 184.13, 258.1, 259.3,
297/273, 275, 277, 280, 281; 472/118, 119,
472/274

See application file for complete search history.

(56) **References Cited**

U.S. PATENT DOCUMENTS

4,030,748 A * 6/1977 Brock 297/184.1
4,293,162 A * 10/1981 Pap et al. 297/184.13

4,813,739 A * 3/1989 Miller 297/184.13
D359,857 S * 7/1995 Bartlett D6/347
D428,268 S * 7/2000 Fair D6/344
D490,993 S * 6/2004 Longenecker et al. D6/344
D555,373 S * 11/2007 Wu et al. D6/344
D557,512 S * 12/2007 Wu et al. D6/344
2009/0181780 A1 * 7/2009 Myers et al. 472/119

* cited by examiner

Primary Examiner—Mimosa De

(74) *Attorney, Agent, or Firm*—Alston & Bird LLP

(57) **CLAIM**

The ornamental design for an infant swing chair, as shown and described.

DESCRIPTION

FIG. 1 is a perspective view of an infant swing chair showing the new design;

FIG. 2 is a front elevation view thereof;

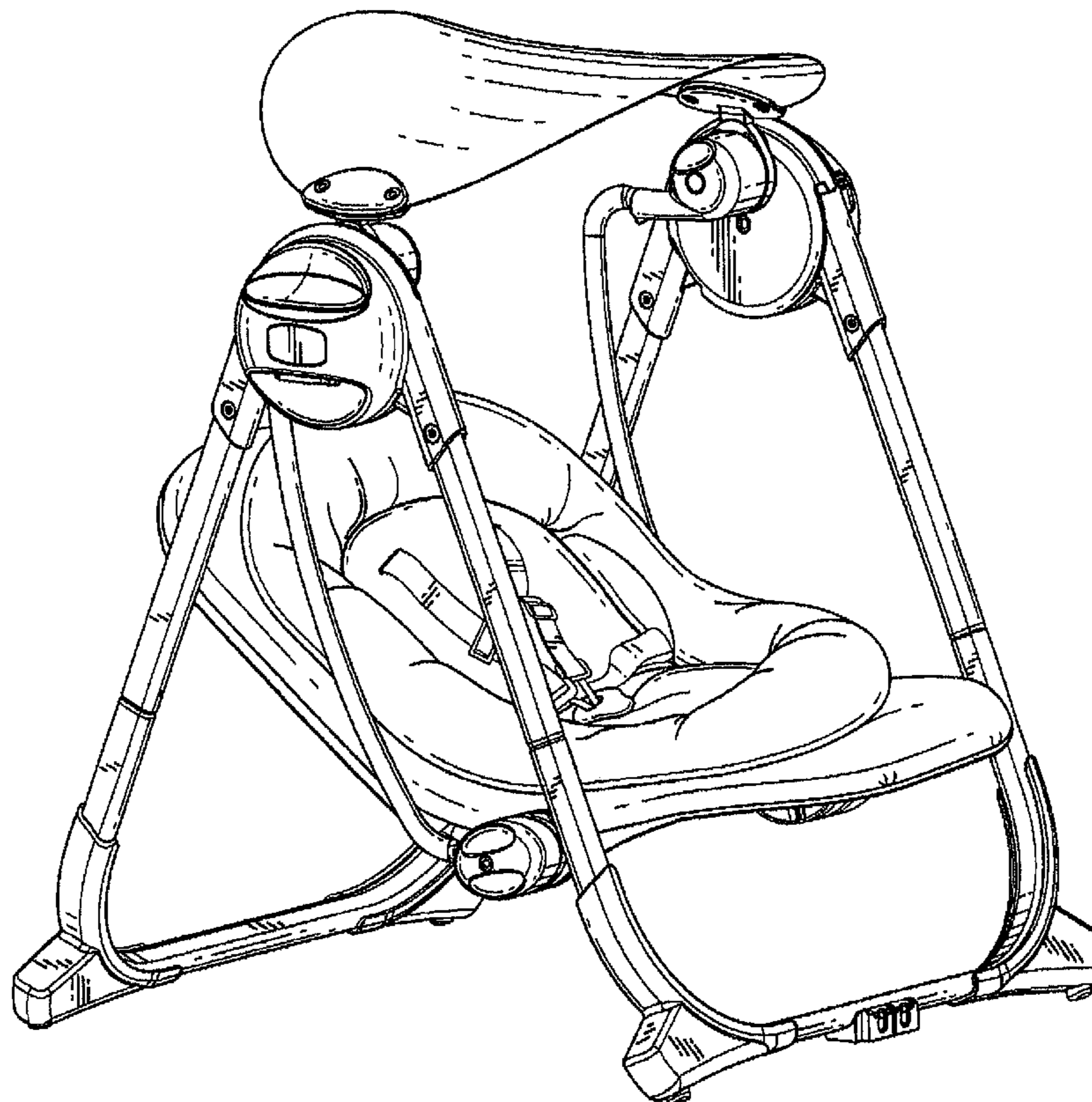
FIG. 3 is a rear elevation view thereof;

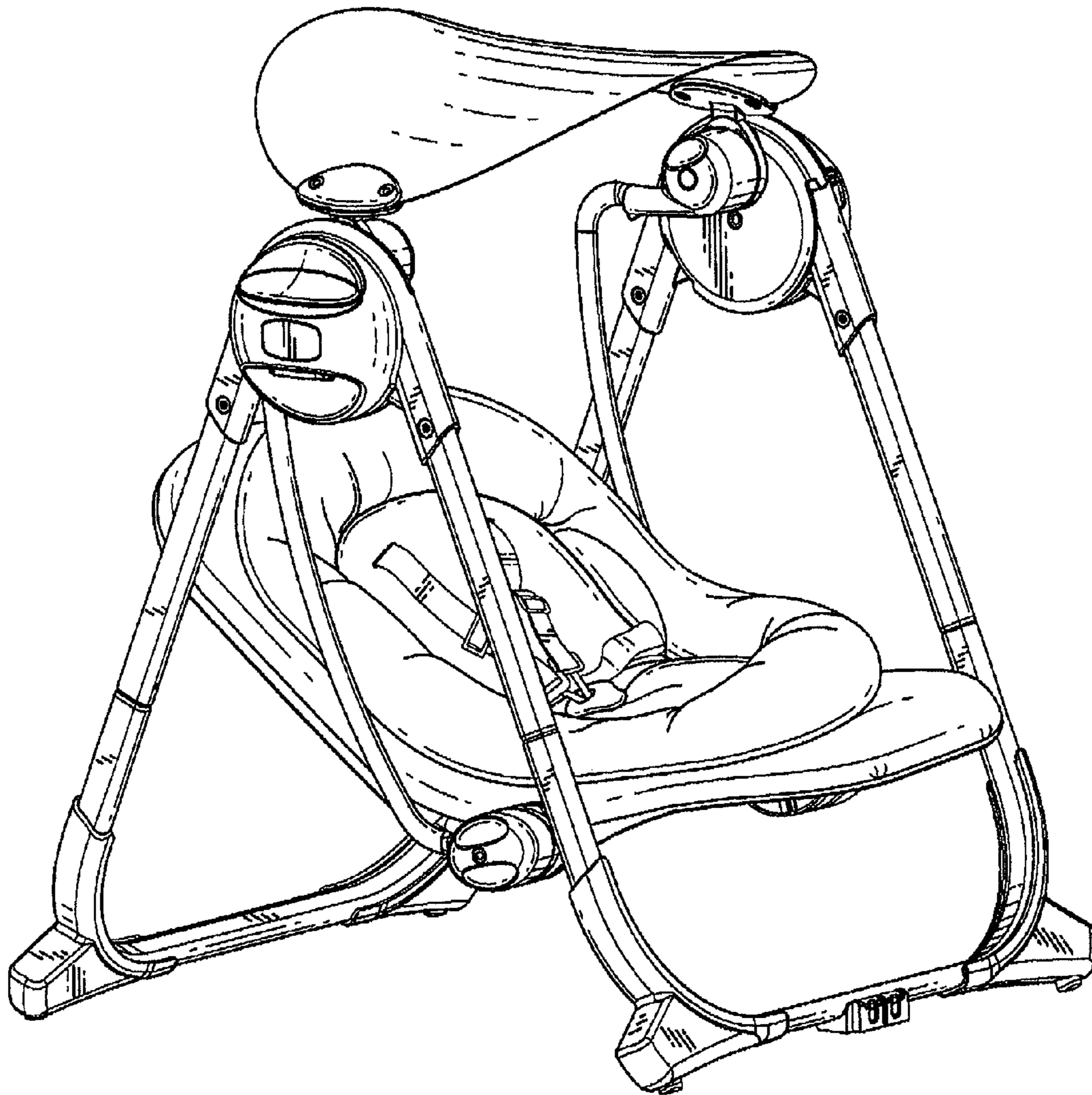
FIG. 4 is a right side elevation view thereof, the left side elevation view being a mirror image;

FIG. 5 is a top perspective view thereof; and,

FIG. 6 is a bottom perspective view thereof.

1 Claim, 6 Drawing Sheets





F I G. 1

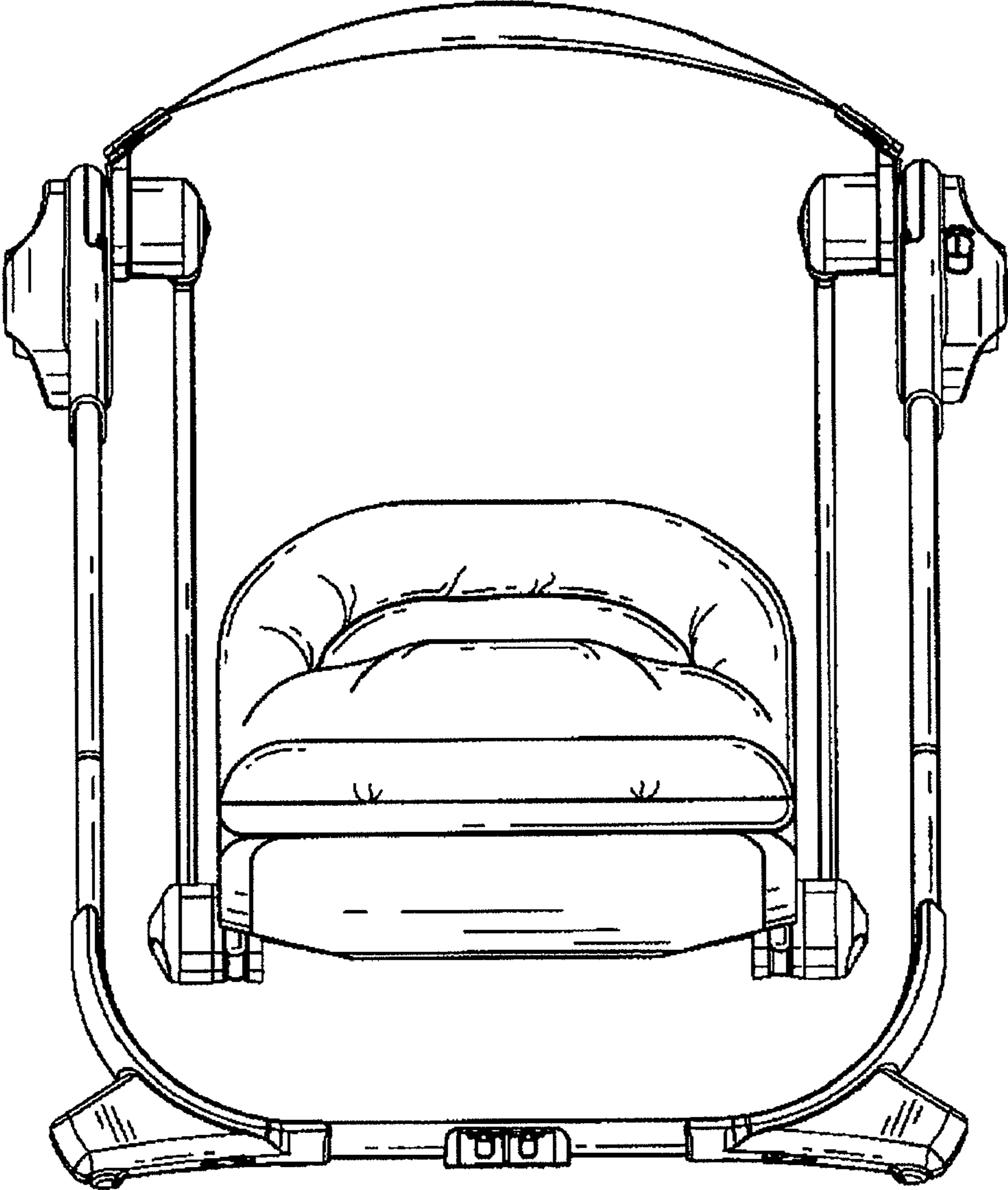


FIG. 2

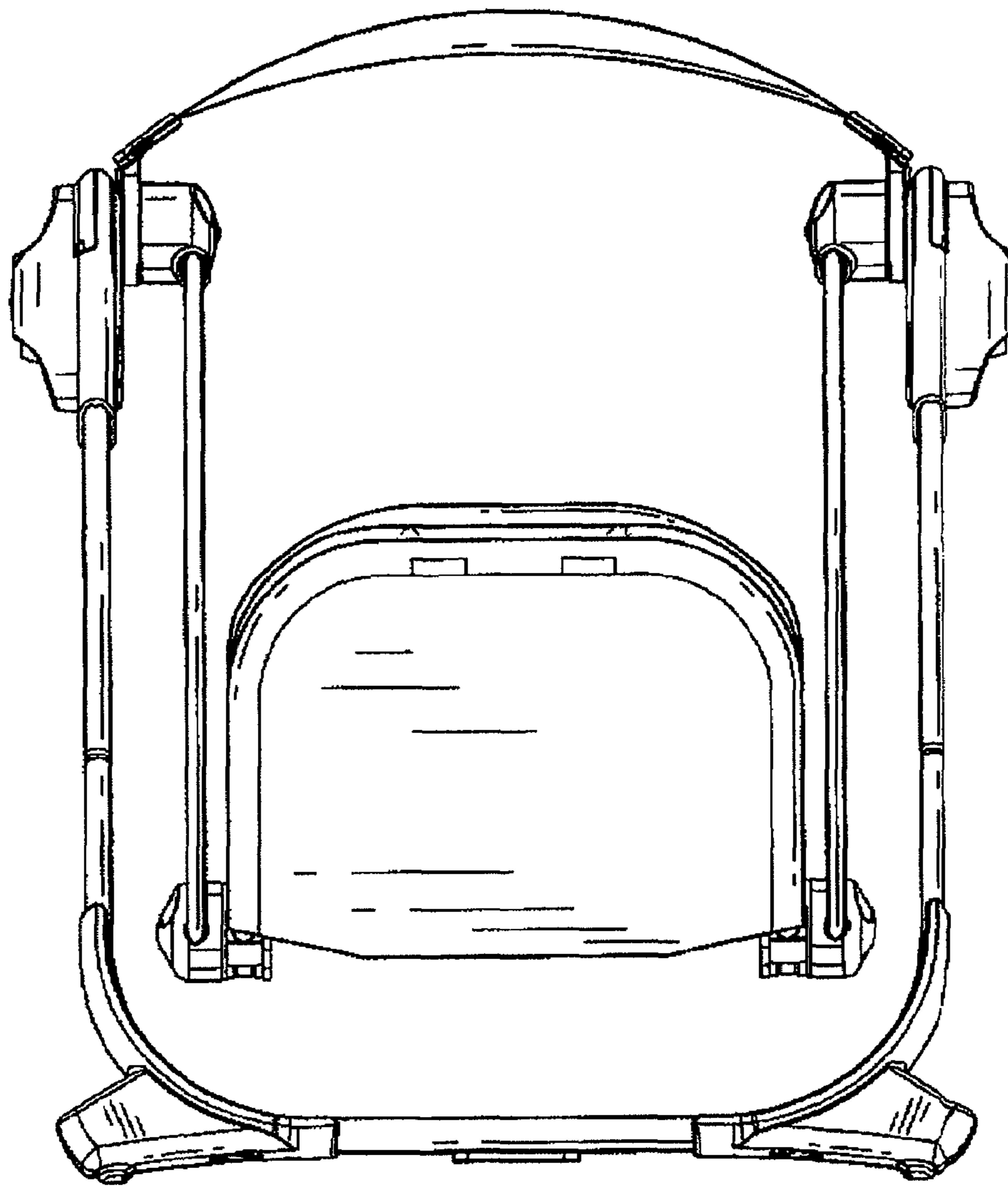


FIG. 3

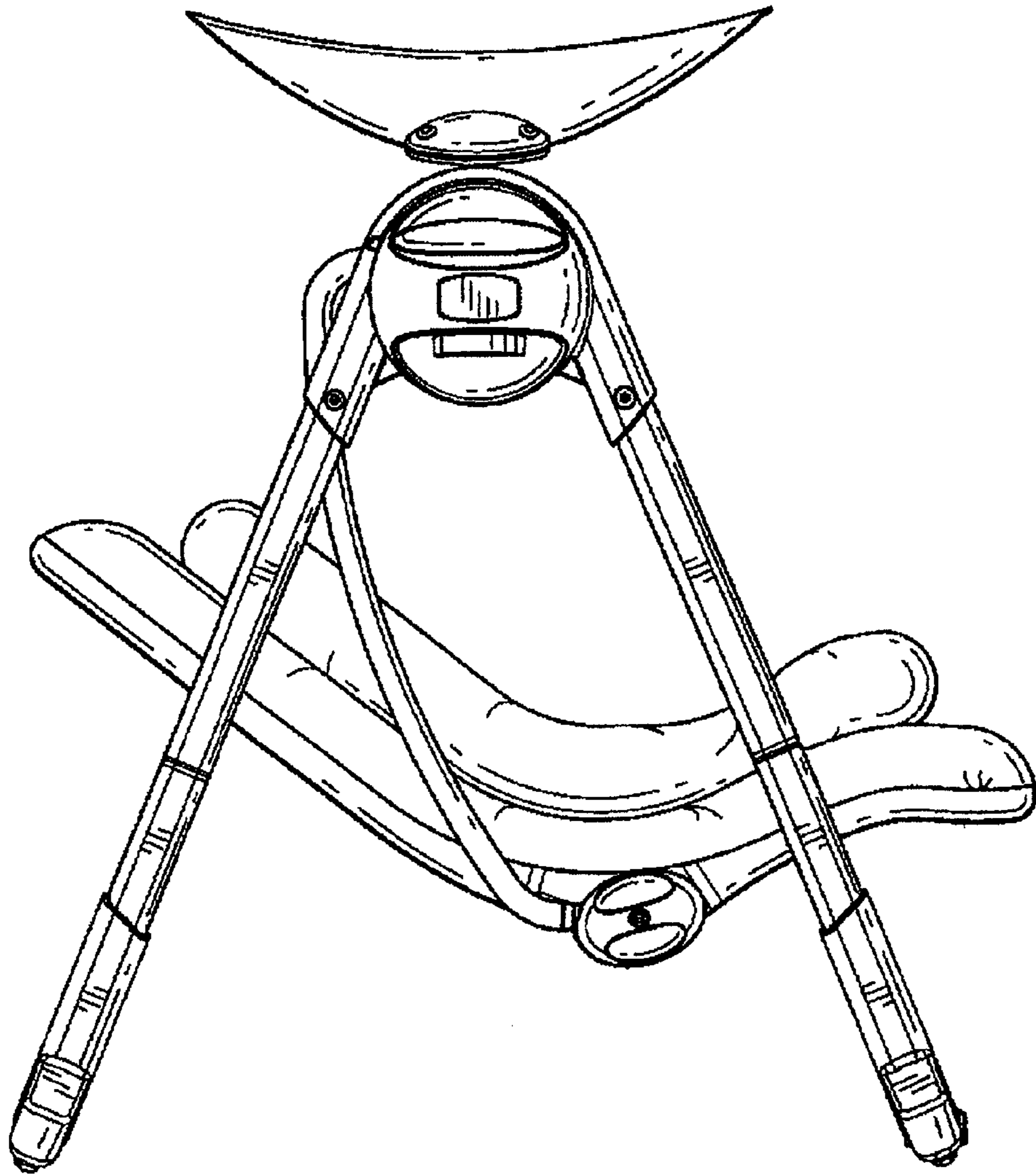


FIG. 4

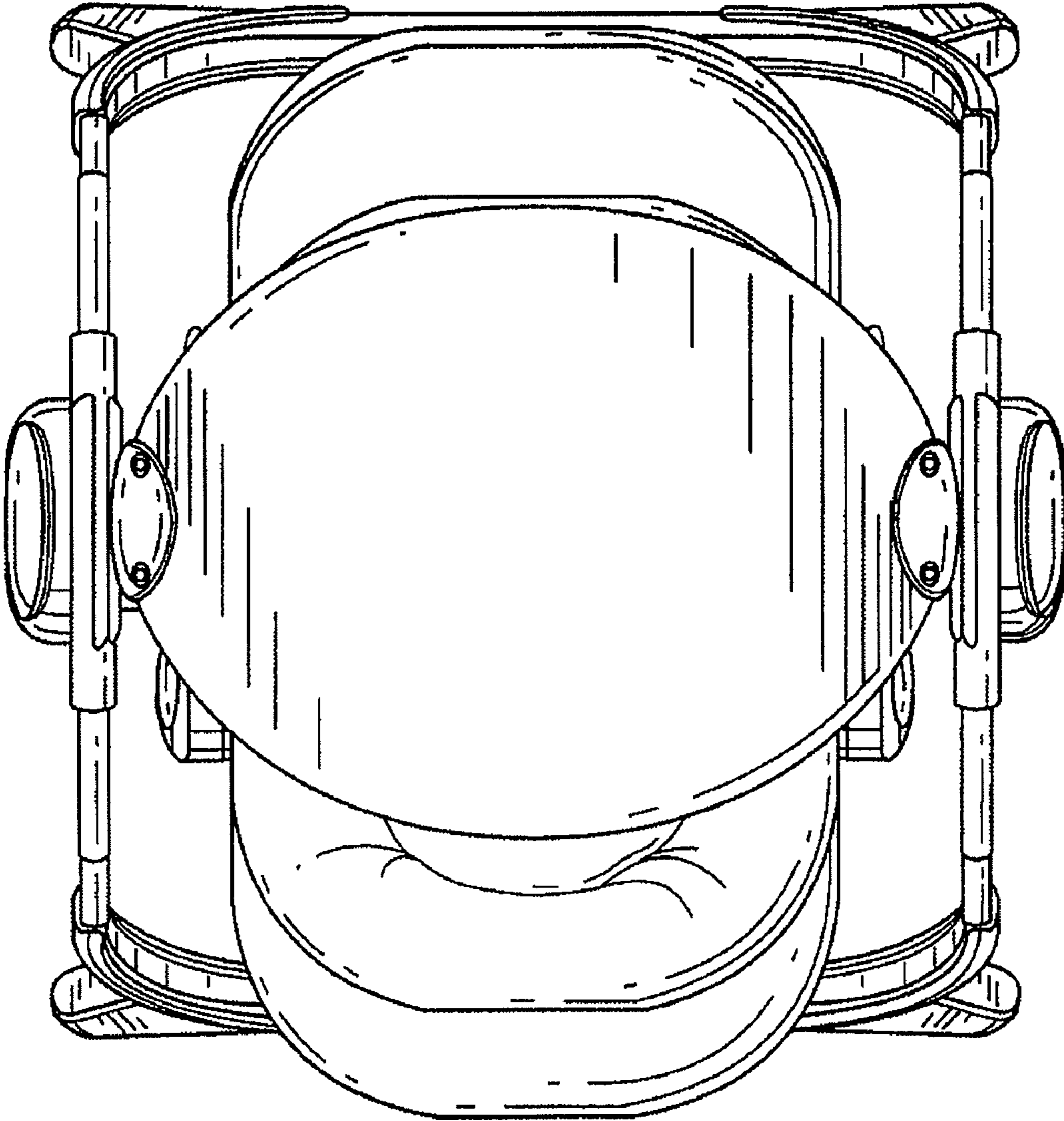


FIG. 5

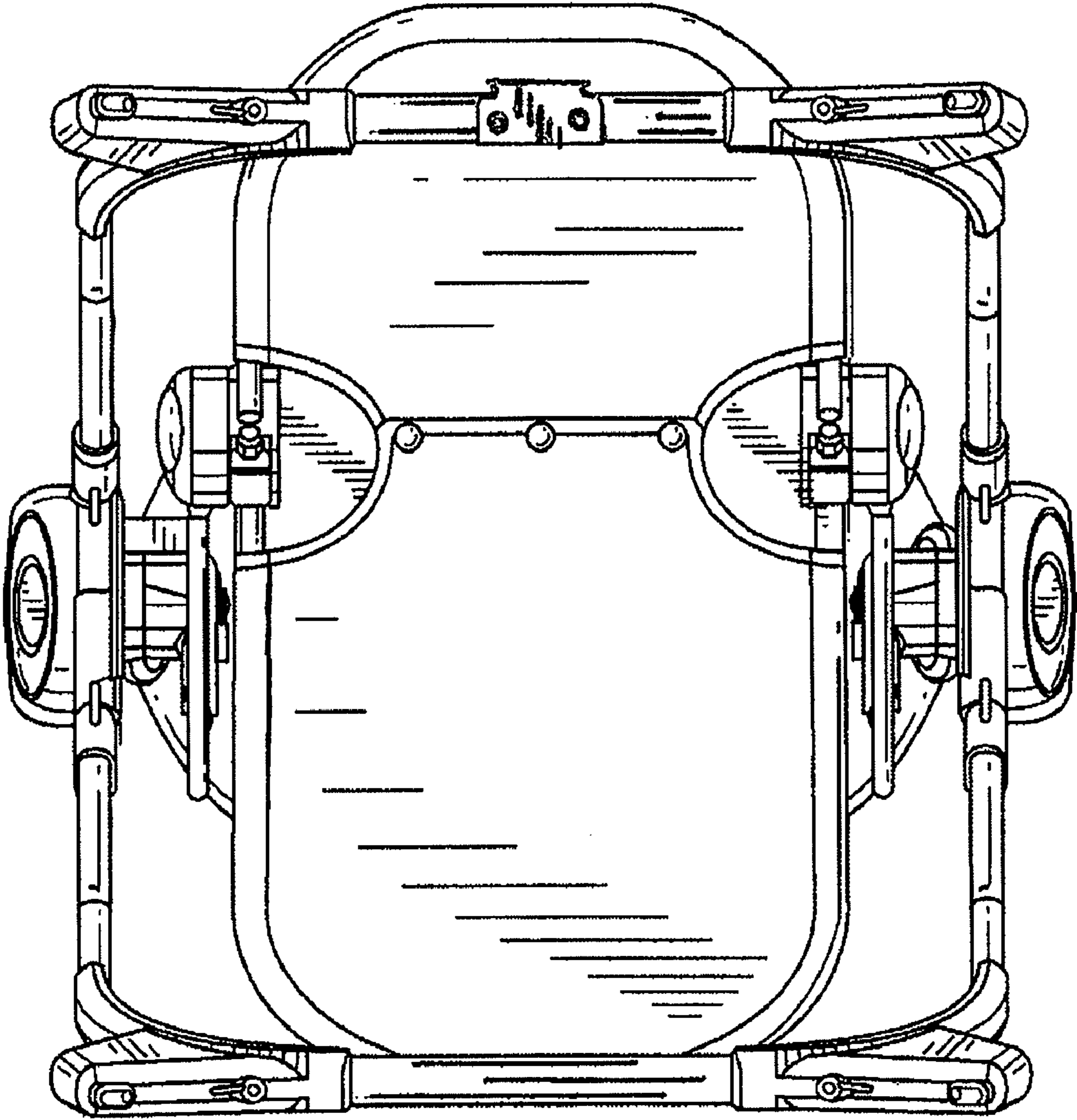


FIG. 6

UNITED STATES PATENT AND TRADEMARK OFFICE
CERTIFICATE OF CORRECTION

PATENT NO. : Des. 601,358 S
APPLICATION NO. : 29/338182
DATED : October 6, 2009
INVENTOR(S) : Yu

Page 1 of 1

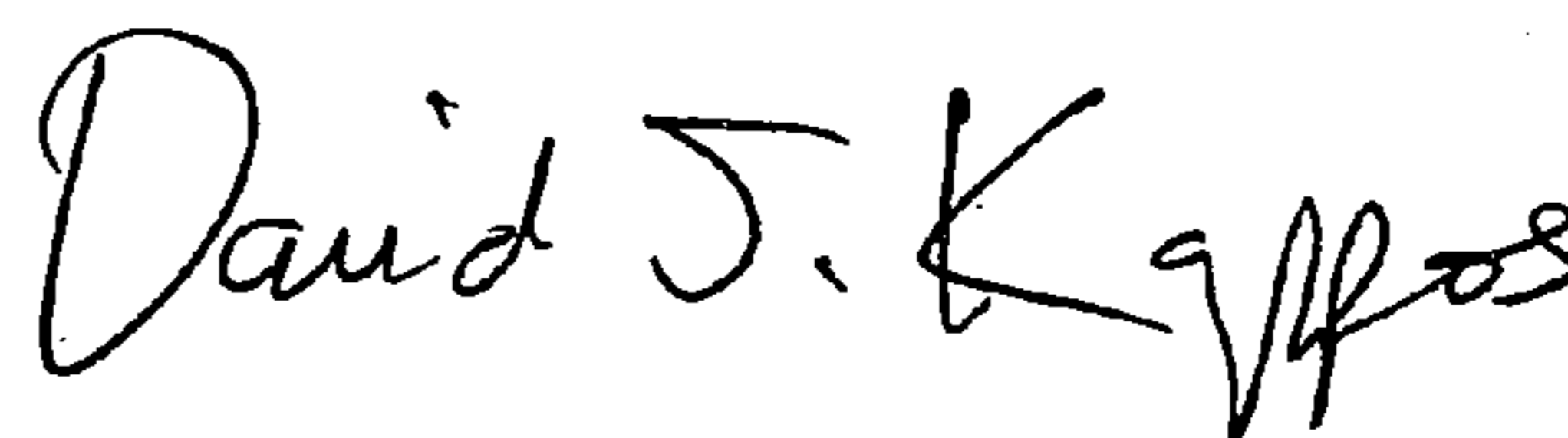
It is certified that error appears in the above-identified patent and that said Letters Patent is hereby corrected as shown below:

Title page.

Item (73) Assignee: “**BP Children’s Product HK Co., Limited**” should read
--BP Children’s Products HK Co., Limited--.

Signed and Sealed this

Eighteenth Day of May, 2010

A handwritten signature in black ink that reads "David J. Kappos". The signature is written in a cursive, flowing style.

David J. Kappos
Director of the United States Patent and Trademark Office