



US00D601354S

(12) **United States Design Patent**
Chu

(10) **Patent No.:** **US D601,354 S**

(45) **Date of Patent:** **** Oct. 6, 2009**

(54) **DIGITAL PHOTO FRAME**

(75) Inventor: **Chih-Ming Chu**, Taipei (TW)

(73) Assignee: **Hannspree, Inc.**, Taipei (TW)

(**) Term: **14 Years**

(21) Appl. No.: **29/327,641**

(22) Filed: **Nov. 10, 2008**

(51) **LOC (9) Cl.** **06-07**

(52) **U.S. Cl.** **D6/308; D6/310; D14/371**

(58) **Field of Classification Search** D6/300,
D6/308, 310, 311; 40/721, 700, 768, 717,
40/714; D14/371, 372, 448, 449, 450, 375,
D14/374, 381, 382, 336, 337; D10/15, 24,
D10/75, 2; D19/26; D21/522

See application file for complete search history.

(56) **References Cited**

U.S. PATENT DOCUMENTS

D394,161 S *	5/1998	Tsui	D6/310
D438,863 S *	3/2001	Ho et al.	D14/336
D453,021 S *	1/2002	Hasegawa et al.	D14/371
D493,454 S *	7/2004	Andre et al.	D14/336

D542,154 S * 5/2007 Lee D10/24

* cited by examiner

Primary Examiner—Caron Veynar

Assistant Examiner—Sydney R Buffalow

(74) *Attorney, Agent, or Firm*—Birch, Stewart, Kolasch & Birch, LLP

(57) **CLAIM**

The ornamental design for a digital photo frame, as shown and described.

DESCRIPTION

FIG. 1 is a perspective view of a digital photo frame showing my new design;

FIG. 2 is a front elevational view thereof;

FIG. 3 is a rear elevational view thereof;

FIG. 4 is a left side elevational view thereof;

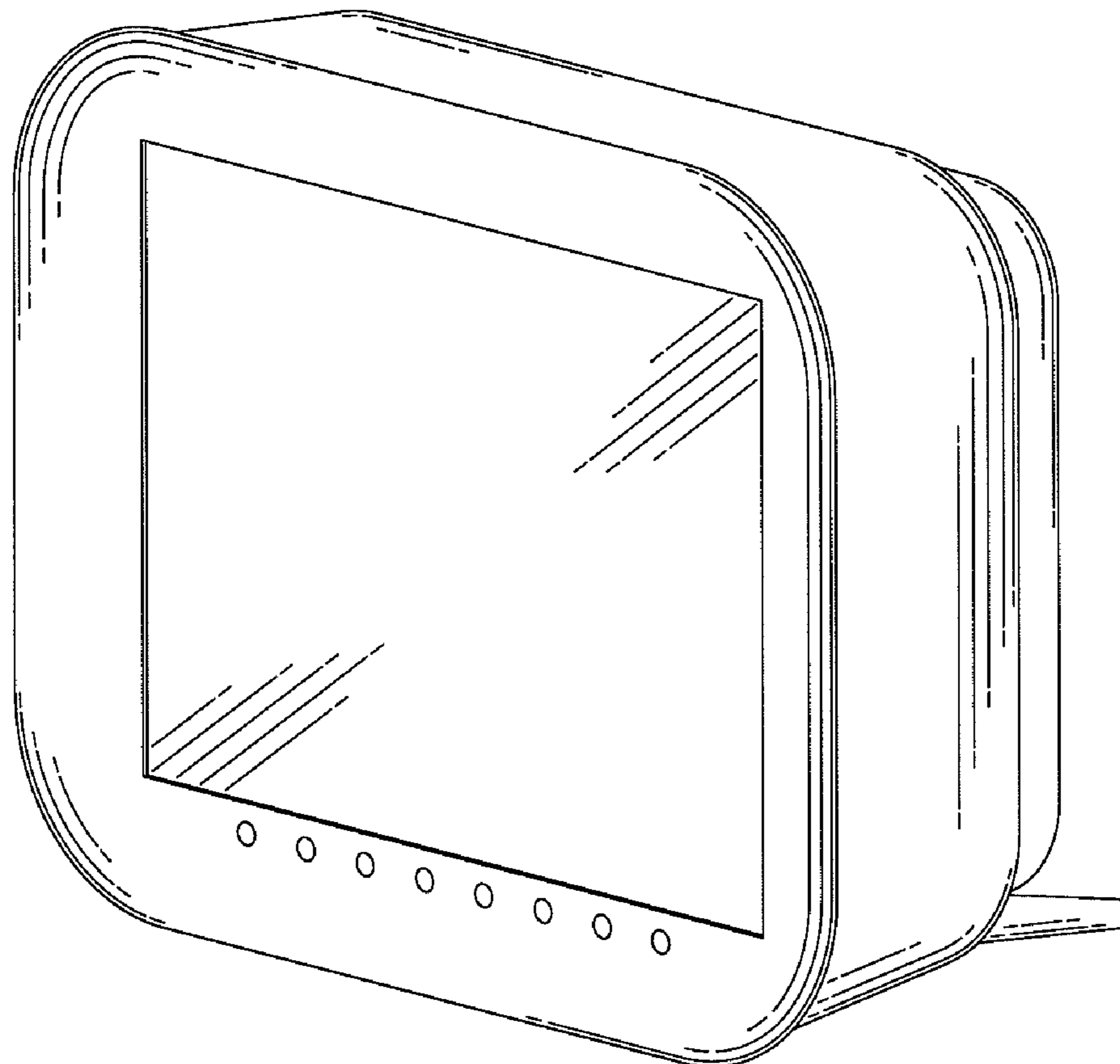
FIG. 5 is a right side elevational view thereof;

FIG. 6 is a top plan view thereof;

FIG. 7 is a bottom plan view thereof; and,

FIG. 8 is a sectional view of the front elevational view thereof.

1 Claim, 5 Drawing Sheets



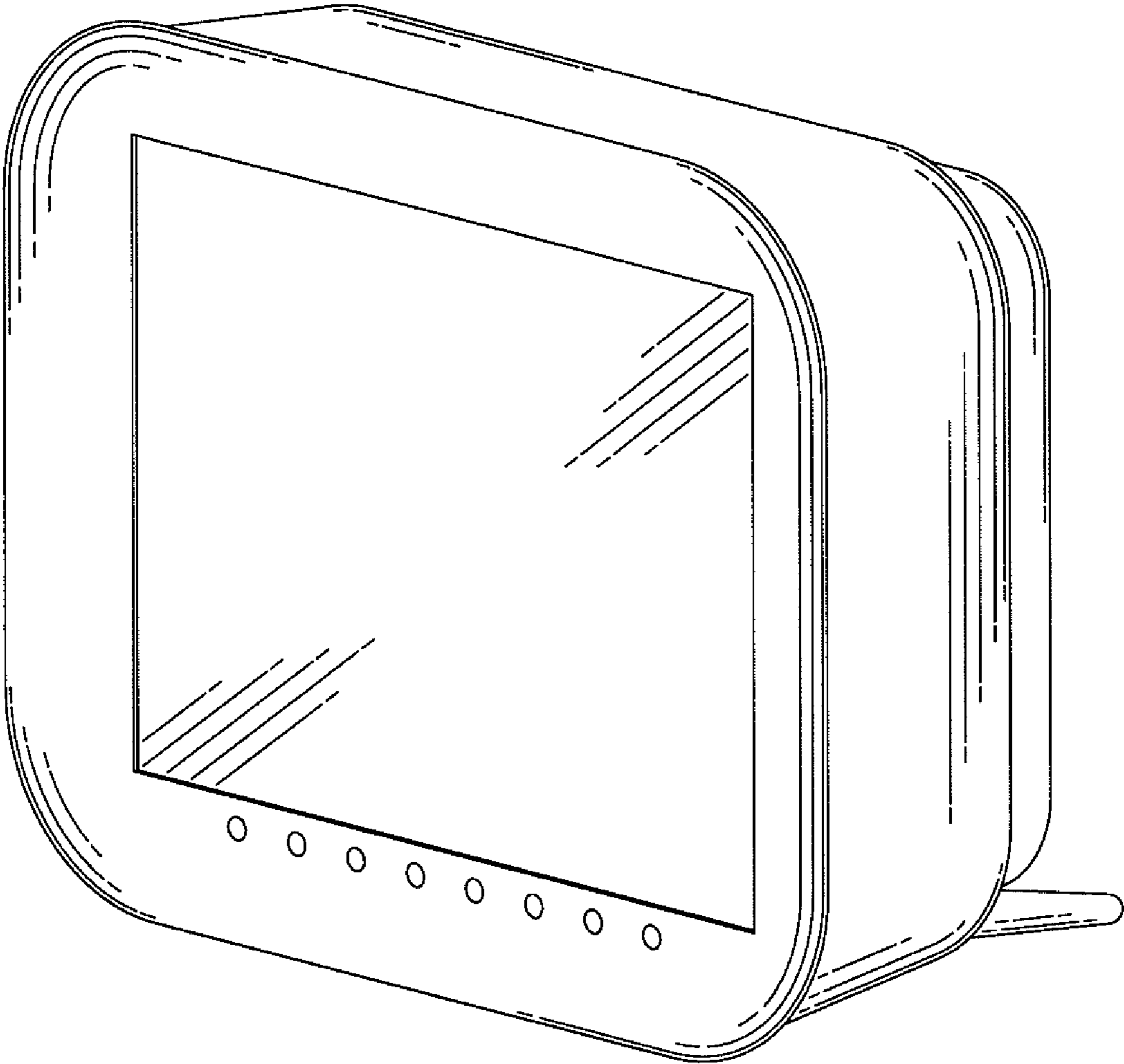


Fig. 1

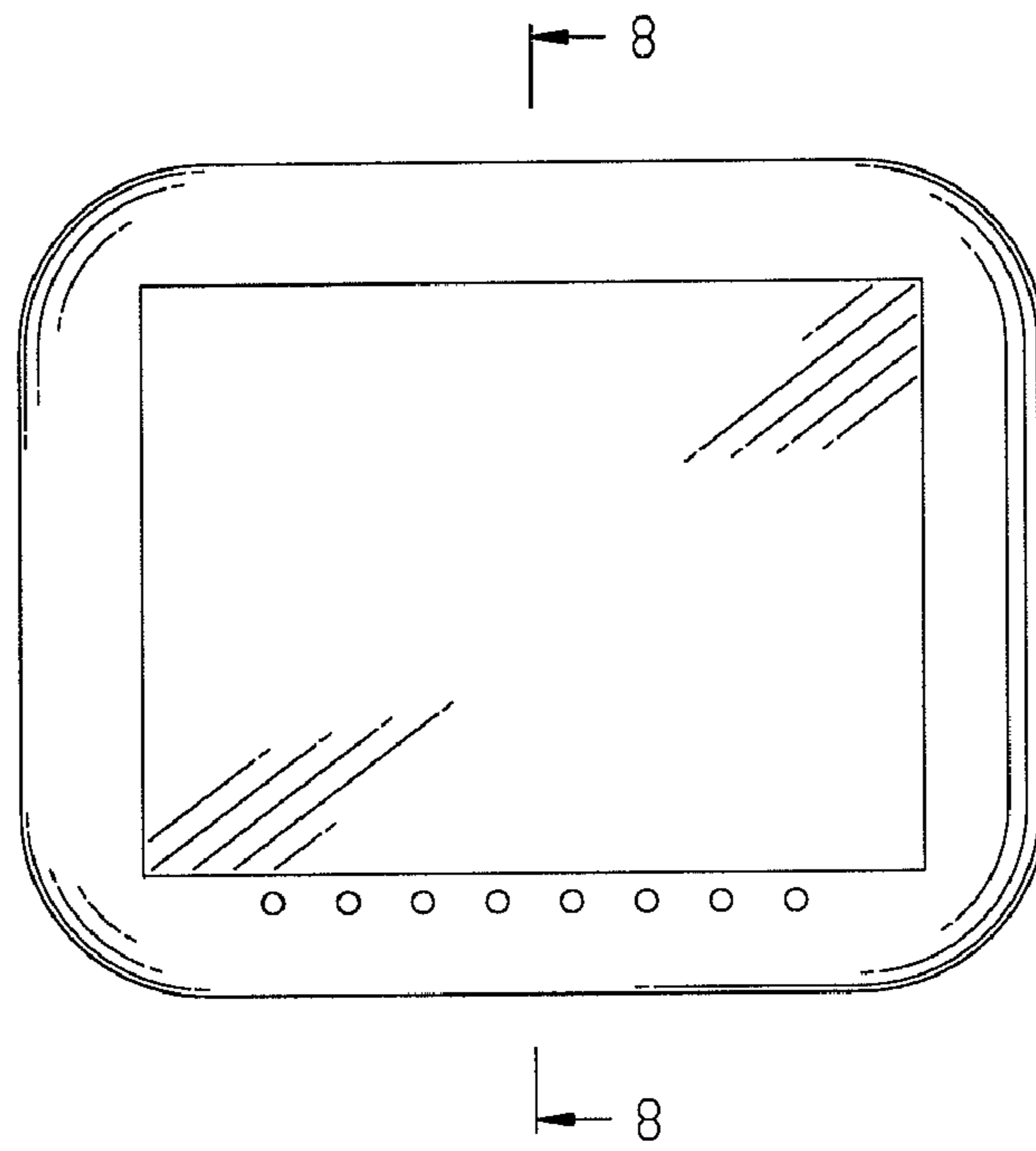


Fig. 2

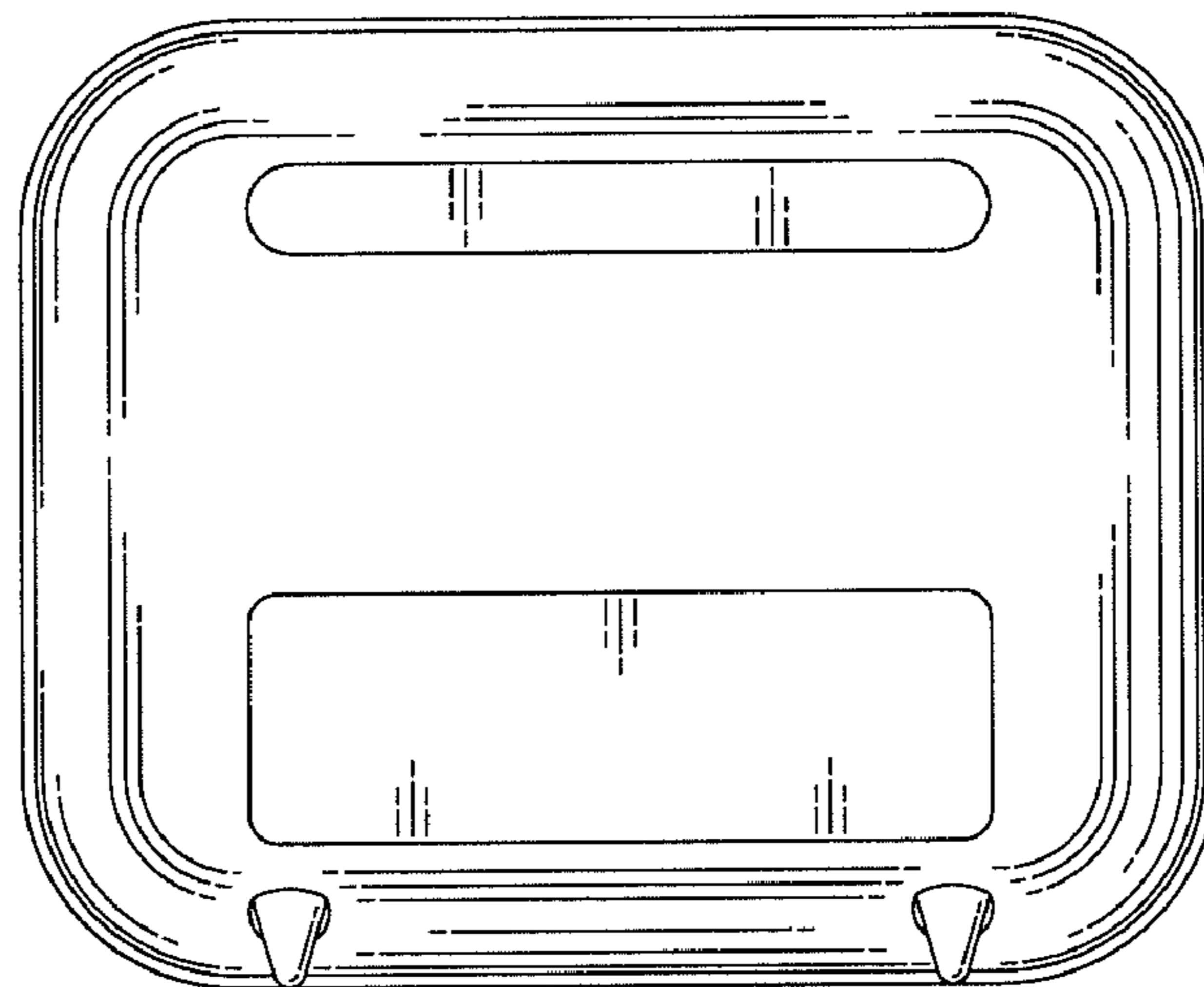


Fig. 3

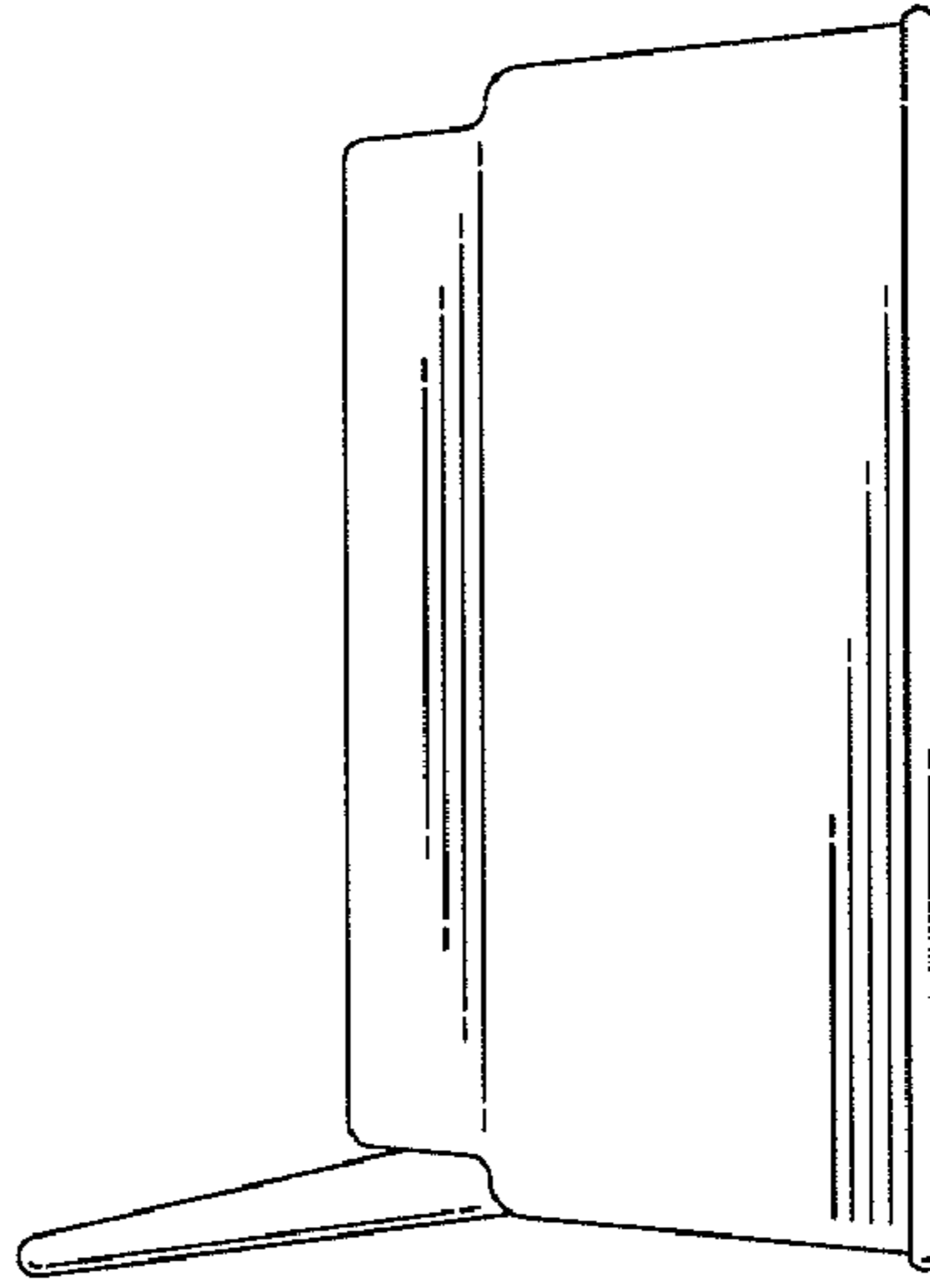


Fig. 4

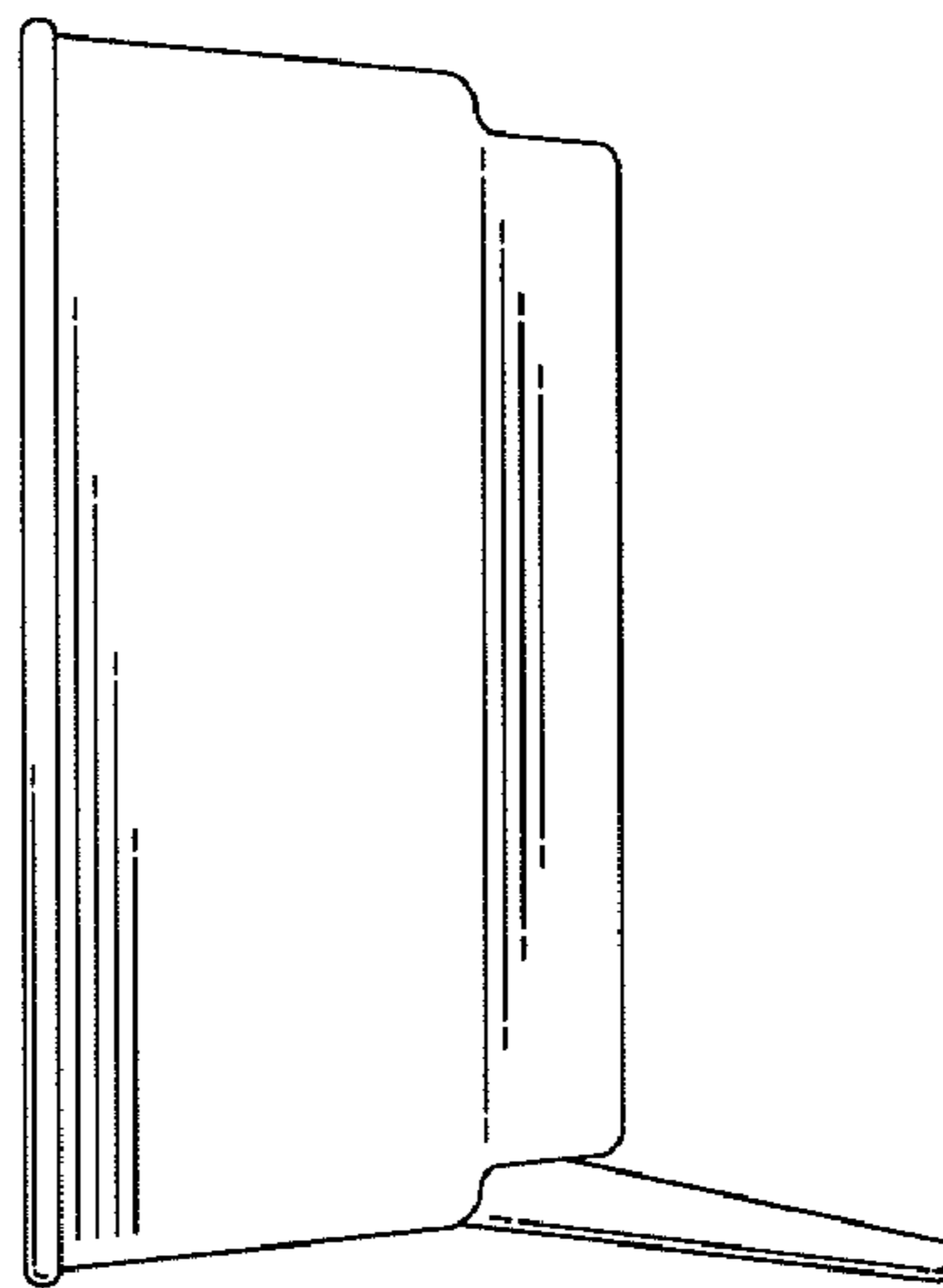


Fig. 5

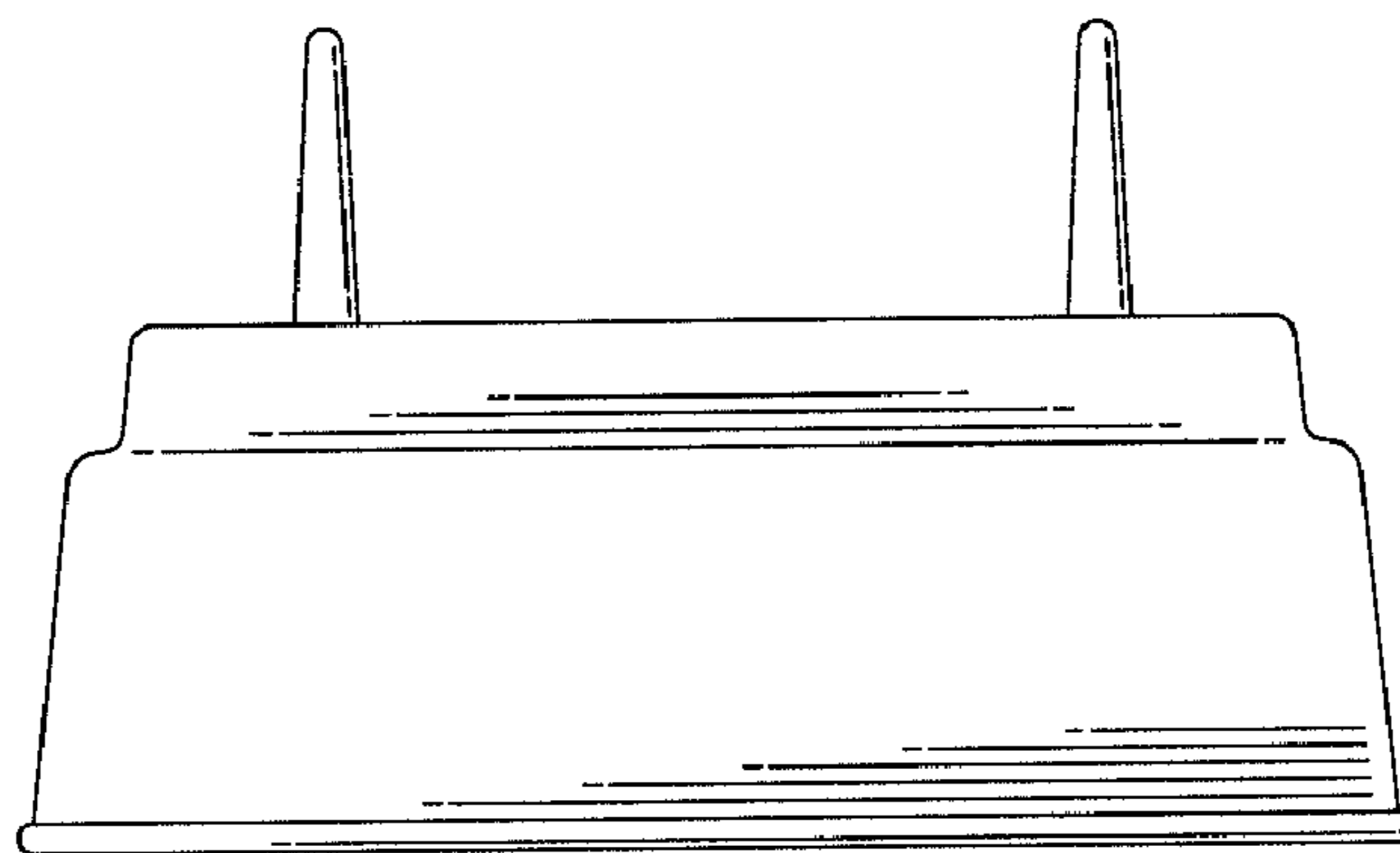


Fig. 6

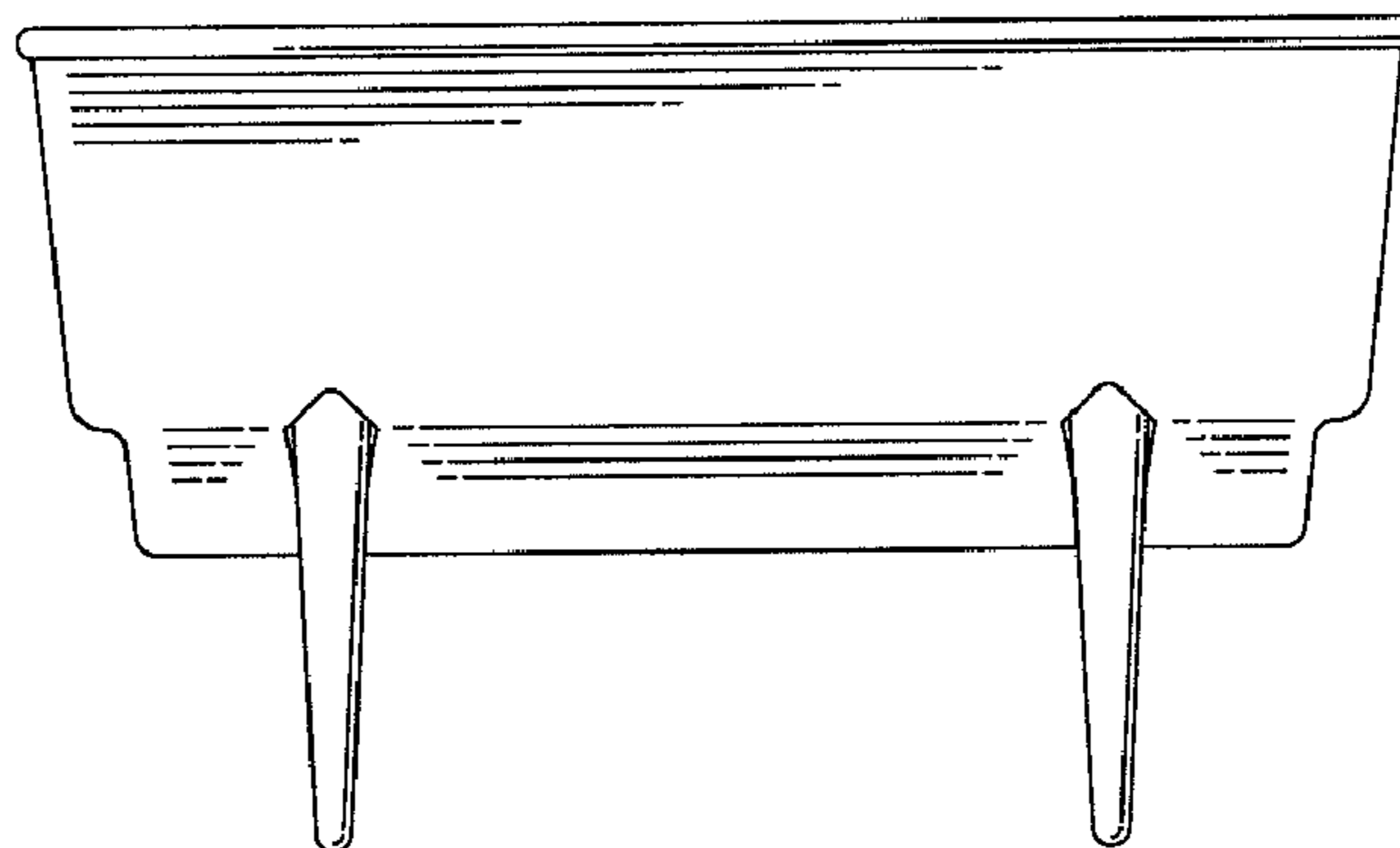


Fig. 7

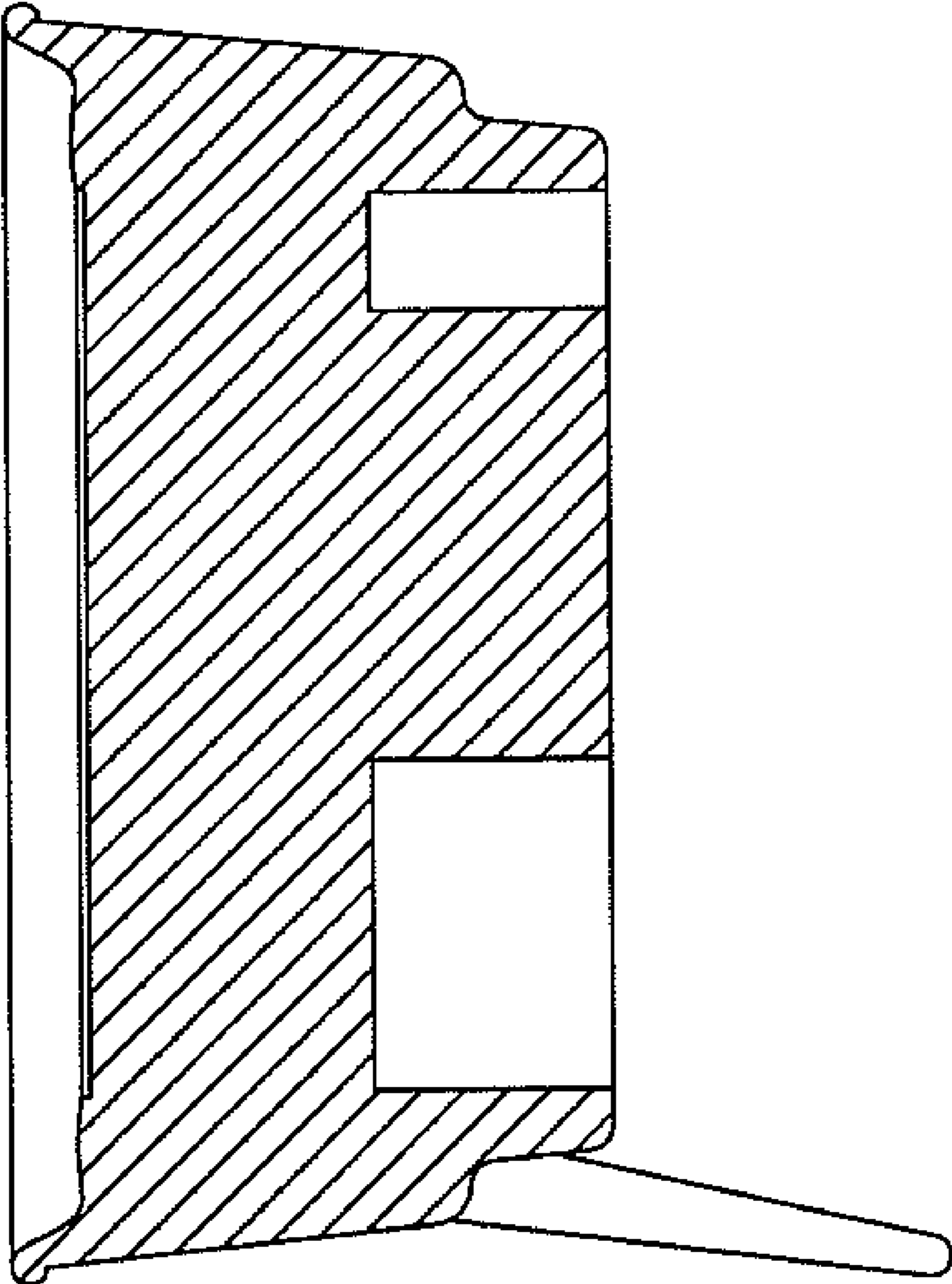


Fig. 8