



US00D601353S

(12) **United States Design Patent**
Sadler et al.

(10) **Patent No.:** **US D601,353 S**
(45) **Date of Patent:** **** Oct. 6, 2009**

(54) **DIGITAL PHOTO ALBUM**

(75) Inventors: **Catherine Sadler**, New York, NY (US);
Scott Chapps, New York, NY (US);
David Malina, New York, NY (US)

(73) Assignee: **MarchSource, LLC**, Foothill Ranch,
CA (US)

(**) Term: **14 Years**

(21) Appl. No.: **29/325,579**

(22) Filed: **Oct. 2, 2008**

(30) **Foreign Application Priority Data**

Sep. 11, 2008 (CN) 2008 3 0191989

(51) **LOC (9) Cl.** **06-07**

(52) **U.S. Cl.** **D6/308; D6/310; D14/371**

(58) **Field of Classification Search** D6/300,
D6/308, 310, 311; 40/721, 700, 768, 717,
40/714; D14/371, 372, 448, 449, 450, 375,
D14/374, 381, 382, 336, 337; D10/15, 24,
D10/75, 2; D19/26; D16/241

See application file for complete search history.

(56) **References Cited**

U.S. PATENT DOCUMENTS

D333,574 S * 3/1993 Ackeret D6/300

(Continued)

Primary Examiner—Caron Veynar

Assistant Examiner—Sydney R Buffalow

(74) *Attorney, Agent, or Firm*—The Eclipse Group LLP

(57) **CLAIM**

We claim the ornamental design for a digital photo album, as shown and described.

DESCRIPTION

FIG. 1 is a front perspective view of the digital photo album illustrating the support legs in the open position.

FIG. 2 is a rear perspective view of the digital photo album illustrated in FIG. 1.

FIG. 3 is a front elevational view of the digital photo album illustrated in FIG. 1.

FIG. 4 is a rear elevational view of the digital photo album illustrated in FIG. 1.

FIG. 5 is a right side view of the digital photo album illustrated in FIG. 1.

FIG. 6 is a left side view of the digital photo album illustrated in FIG. 1.

FIG. 7 is a top plan view of the digital photo album illustrated in FIG. 1.

FIG. 8 is a bottom plan view of the digital photo album illustrated in FIG. 1.

FIG. 9 is a front perspective view of the digital photo album illustrating the support legs in the closed position.

FIG. 10 is a rear perspective view of the digital photo album illustrated in FIG. 9.

FIG. 11 is a front elevational view of the digital photo album illustrated in FIG. 9.

FIG. 12 is a rear elevational view of the digital photo album illustrated in FIG. 9.

FIG. 13 is a right side view of the digital photo album illustrated in FIG. 9.

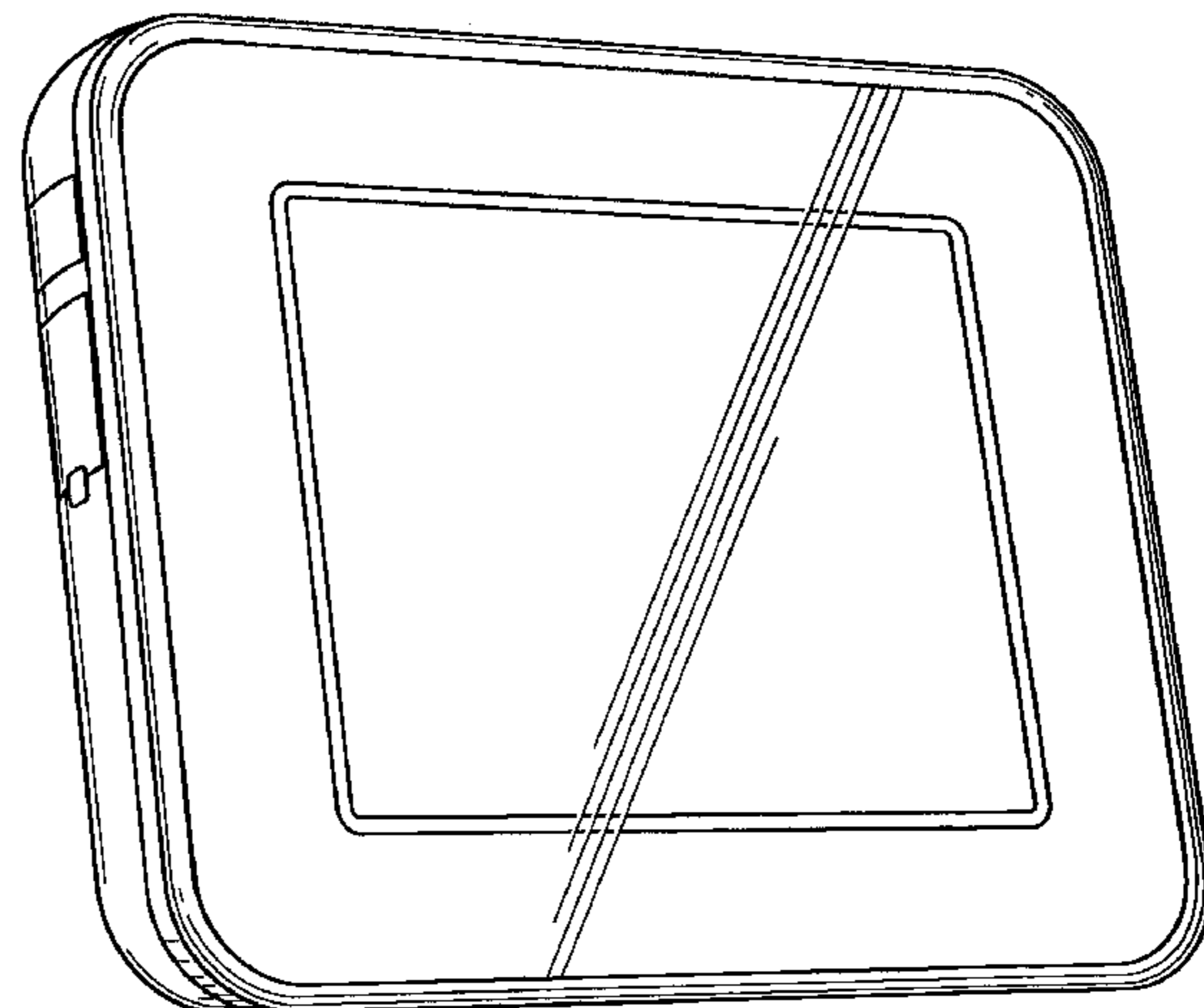
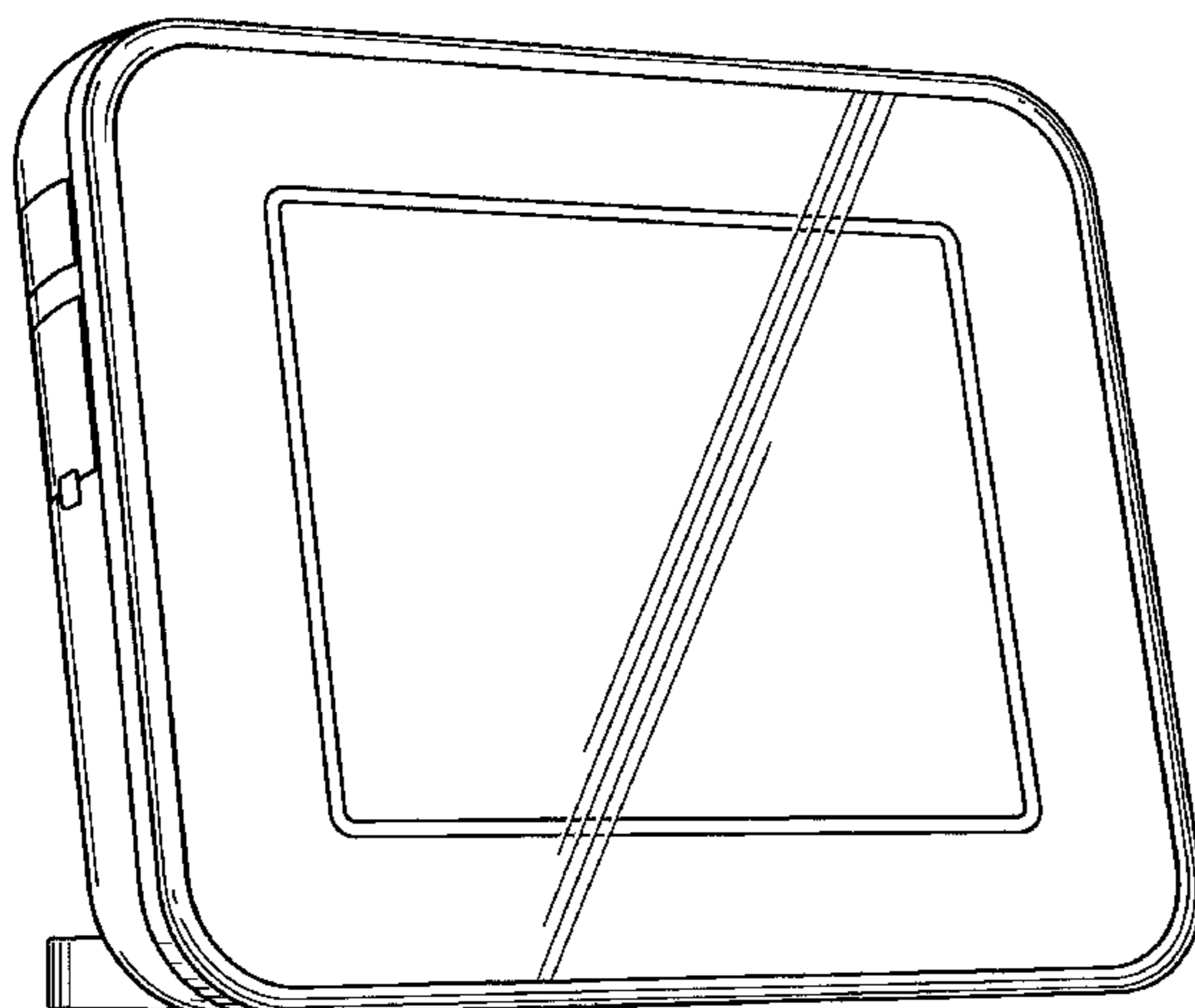
FIG. 14 is a left side view of the digital photo album illustrated in FIG. 9.

FIG. 15 is a top plan view of the digital photo album illustrated in FIG. 9; and,

FIG. 16 is a bottom plan view of the digital photo album illustrated in FIG. 9.

The portions of the body of a digital photo album in broken lines are shown for illustrative purposes only and form no part of the claimed design.

1 Claim, 12 Drawing Sheets



US D601,353 S

Page 2

U.S. PATENT DOCUMENTS

D361,552 S *	8/1995	Iino	D14/341	D570,610 S *	6/2008	Chuang	D6/300
D453,333 S *	2/2002	Chen	D14/374	D580,934 S *	11/2008	Hasegawa et al.	D14/371
D550,270 S *	9/2007	Astill	D16/241	D582,916 S *	12/2008	Wada	D14/371
D558,460 S *	1/2008	Yu et al.	D6/308	D582,917 S *	12/2008	Wada	D14/371
D569,629 S *	5/2008	Yu et al.	D6/308	D586,565 S *	2/2009	Ko et al.	D6/308

* cited by examiner

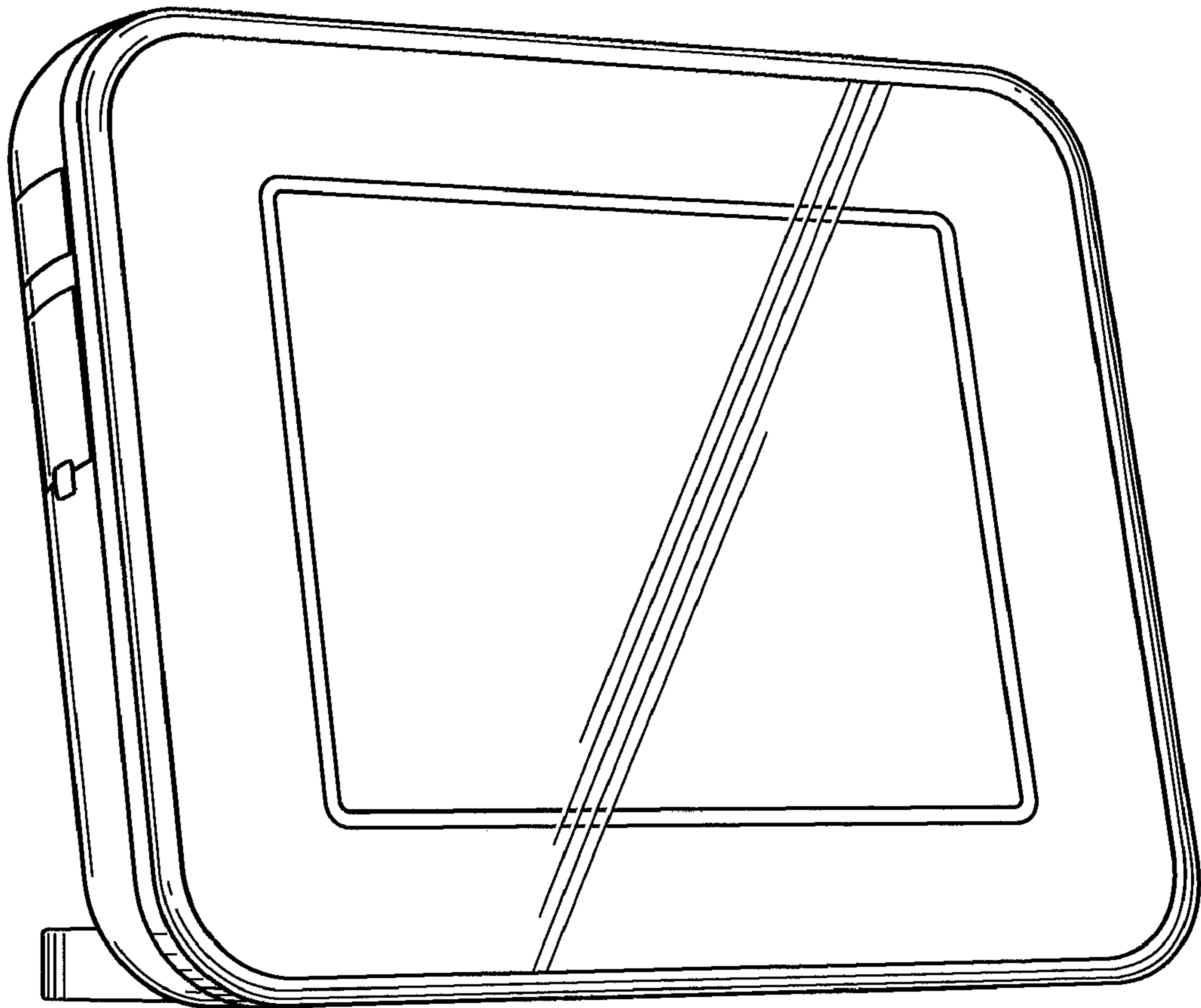


Fig. 1

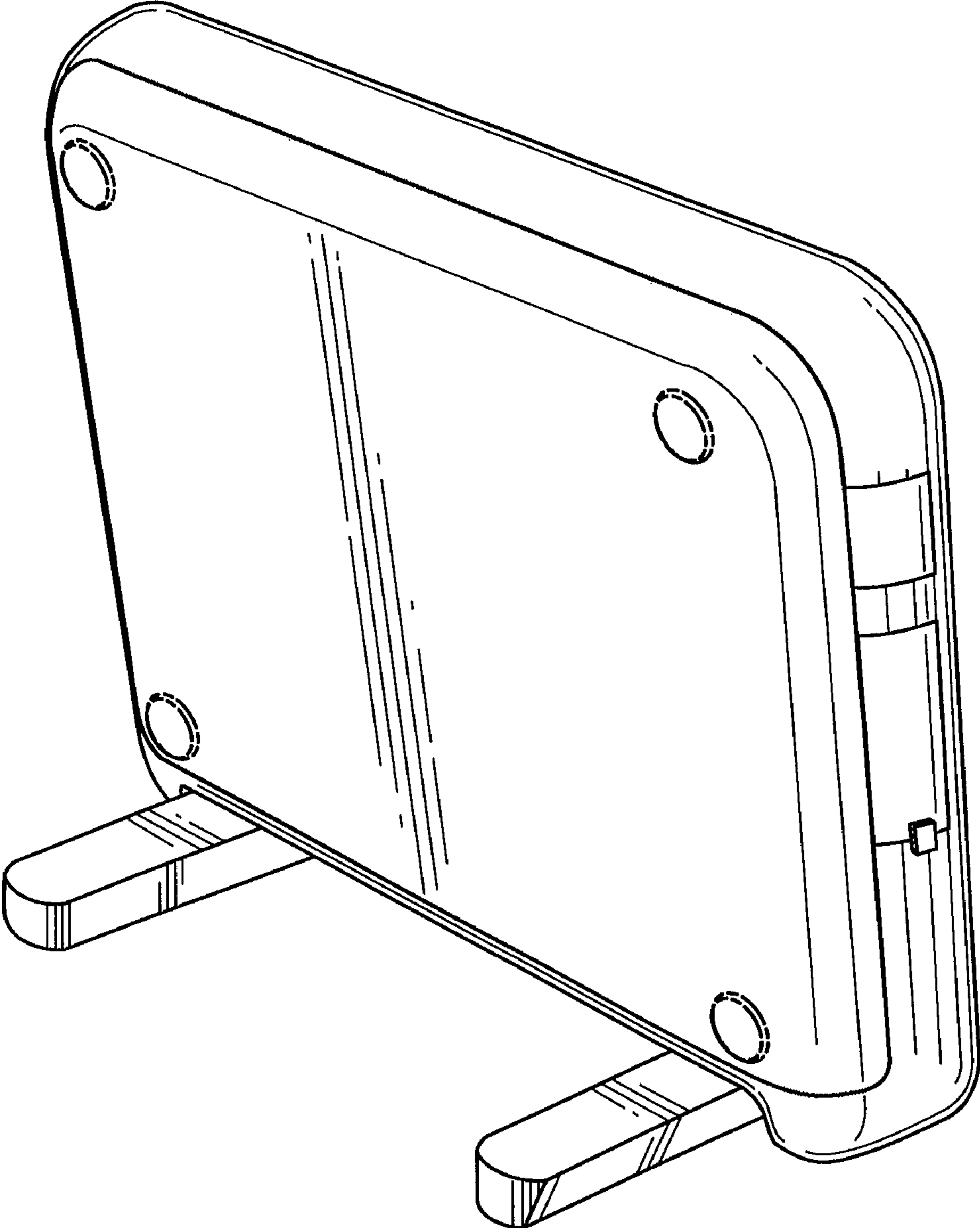


Fig. 2

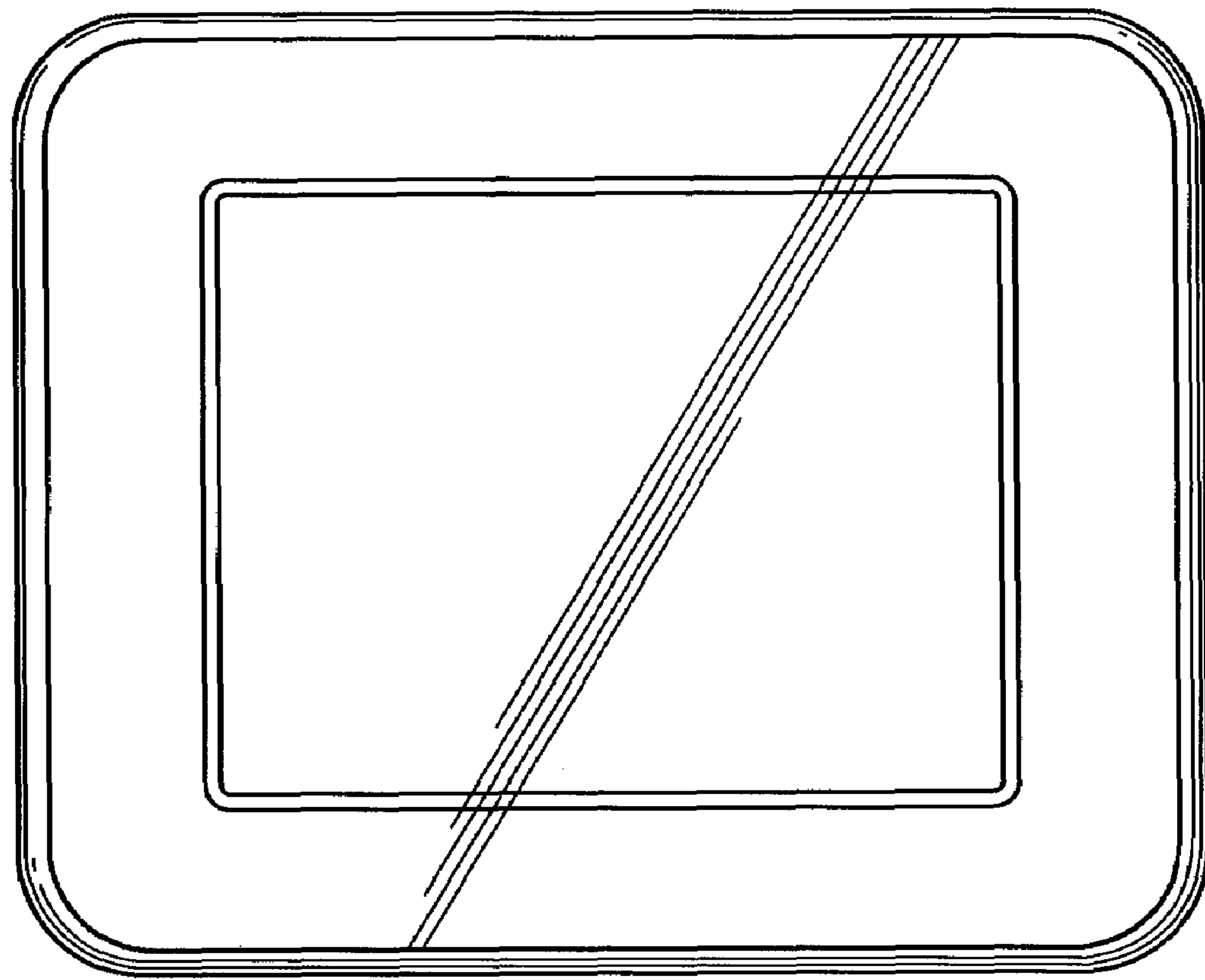


Fig. 3

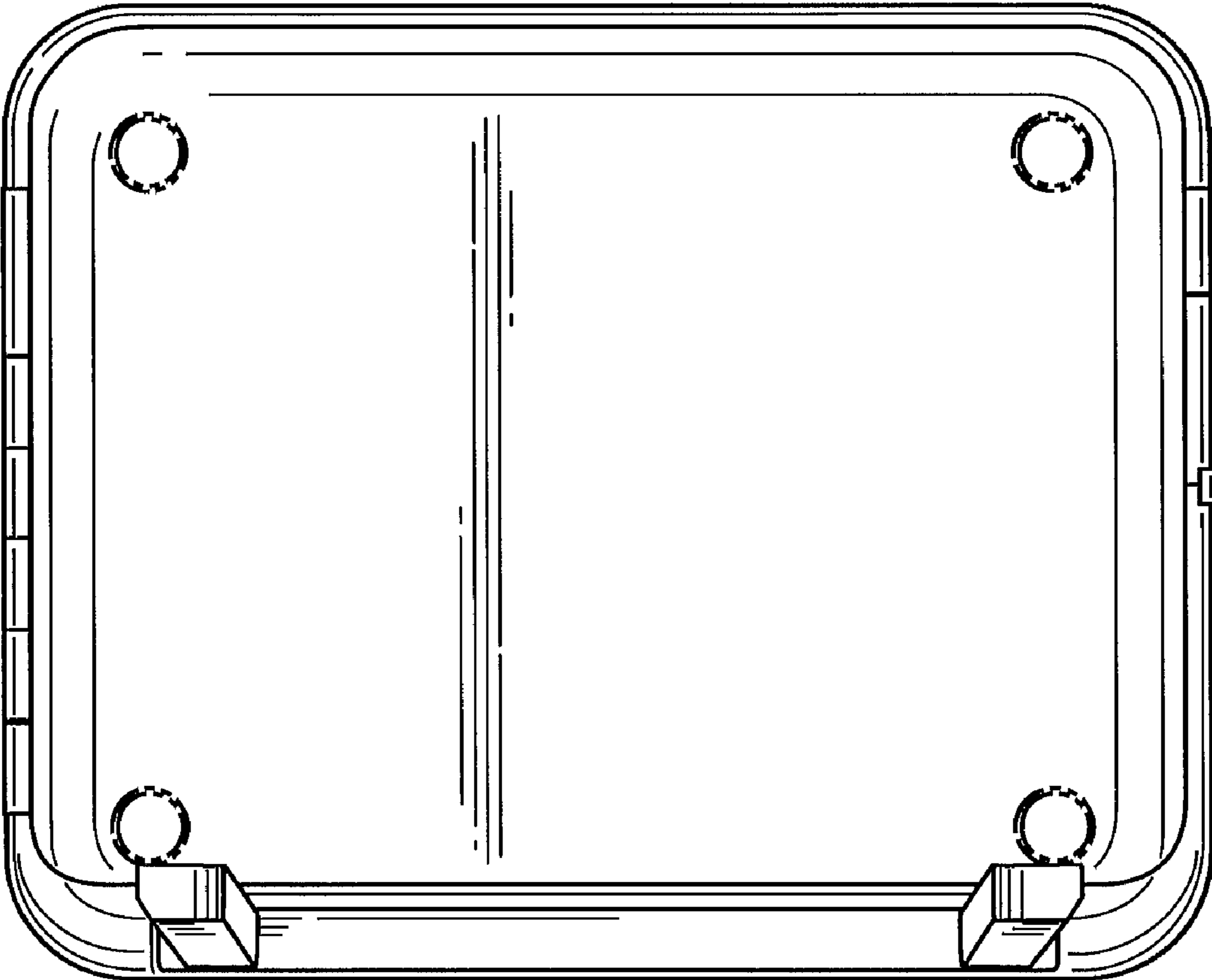


Fig. 4

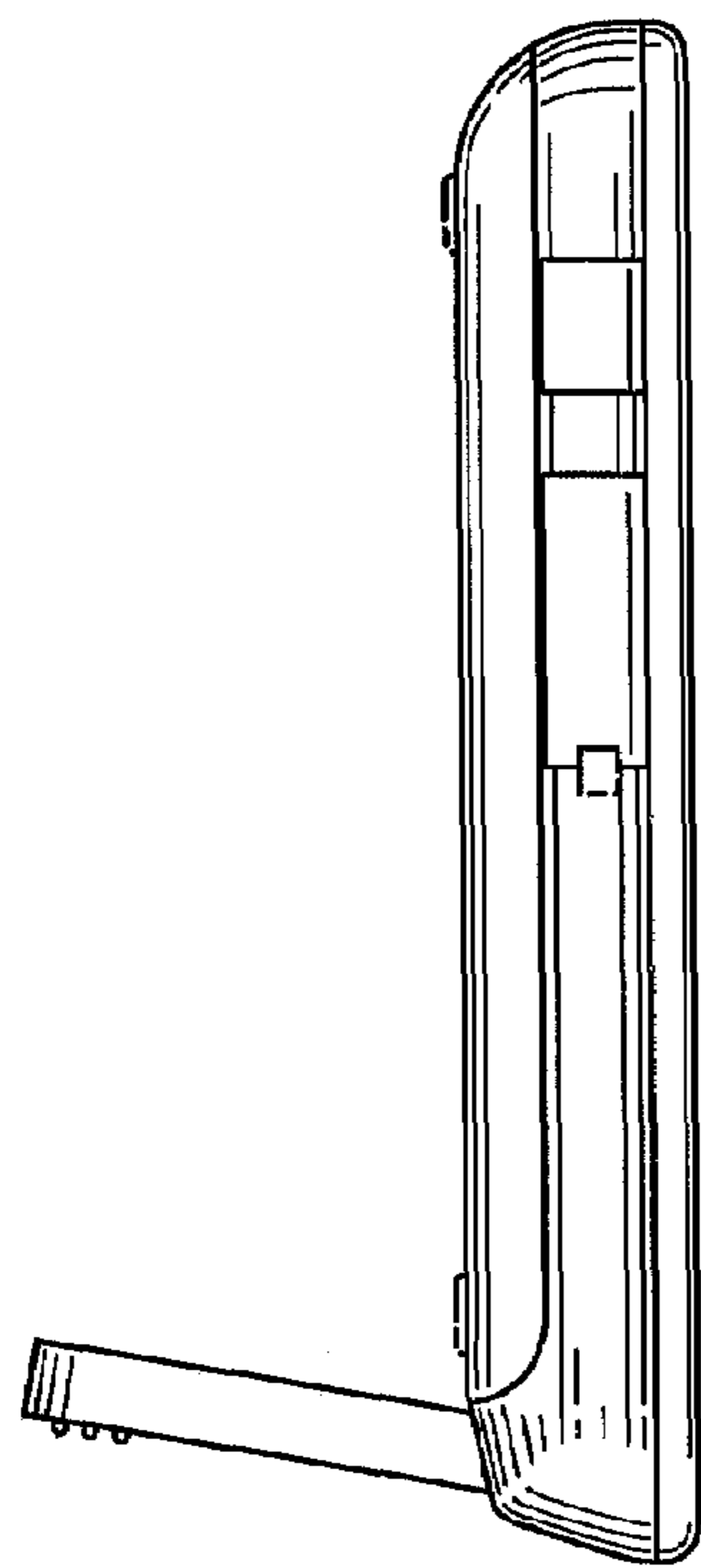


Fig. 5

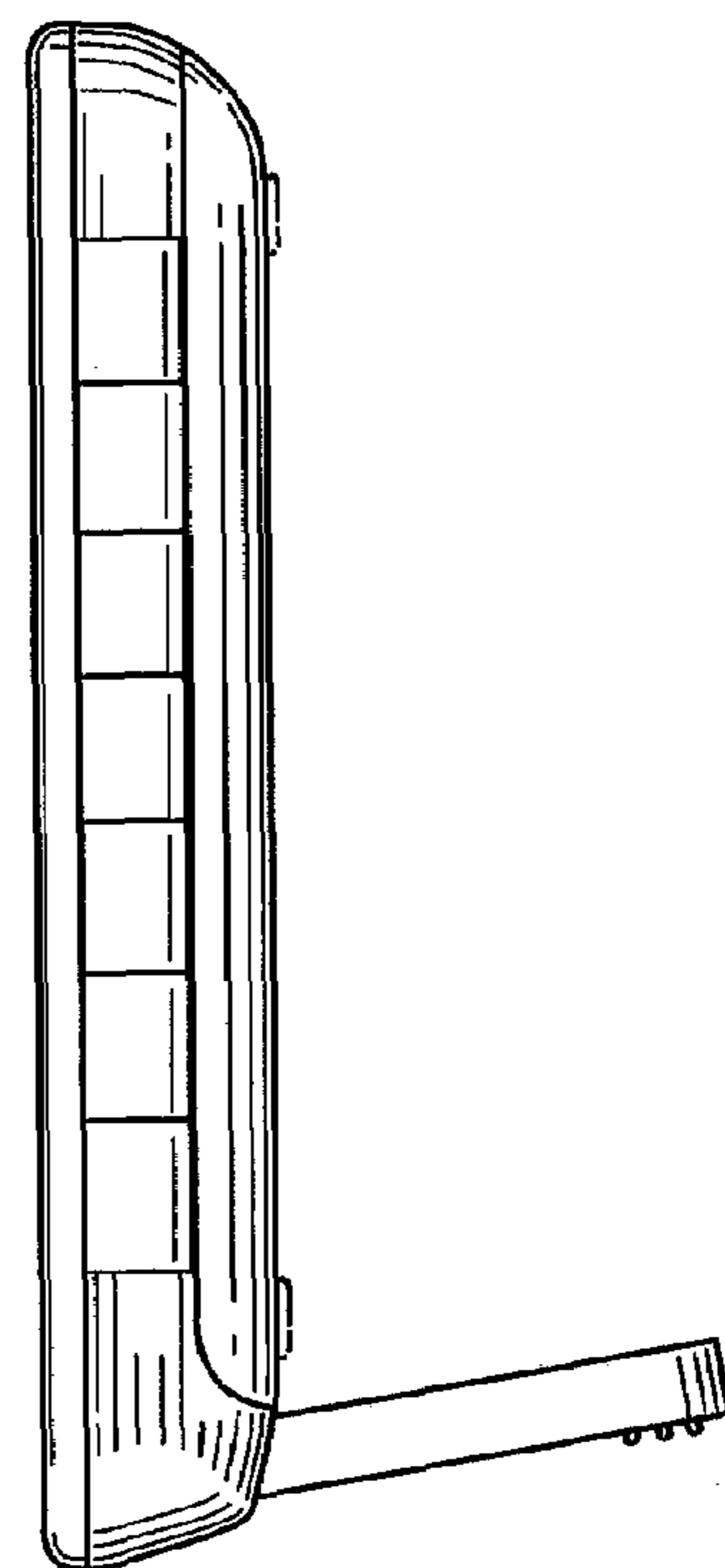


Fig. 6

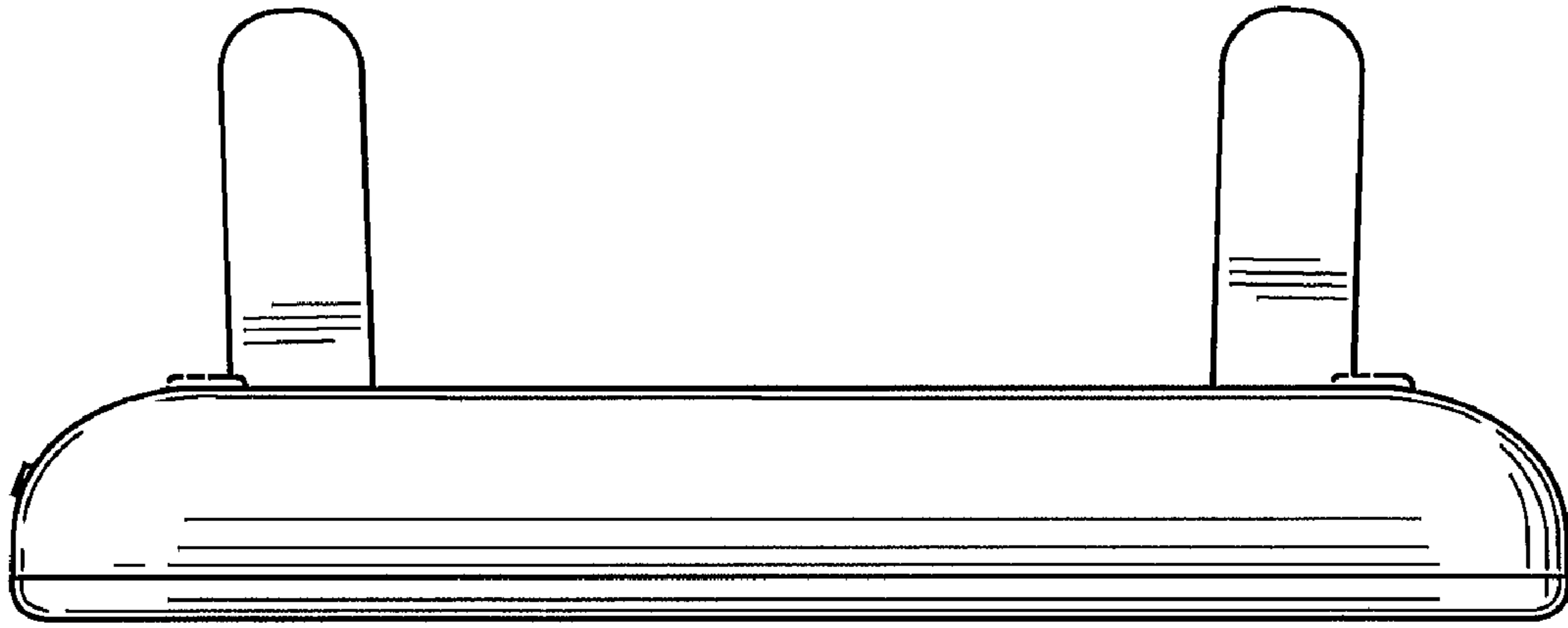


Fig. 7

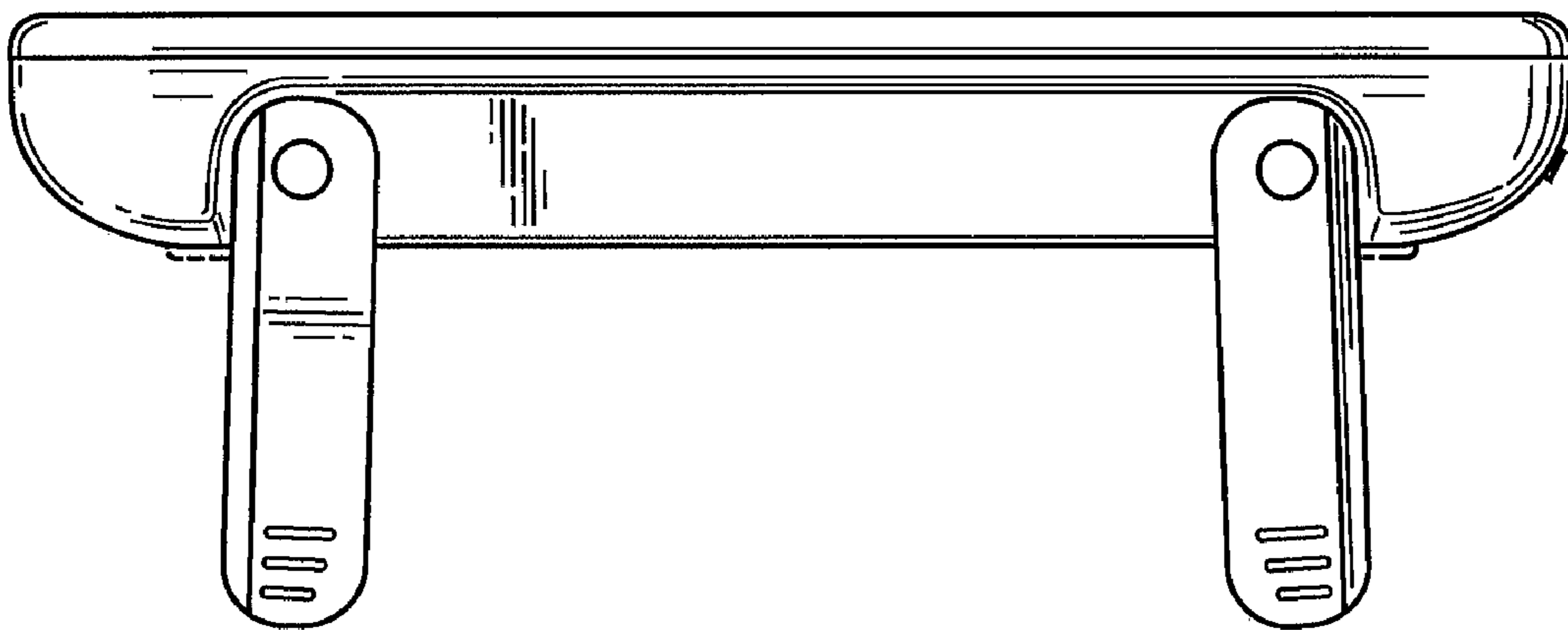


Fig. 8

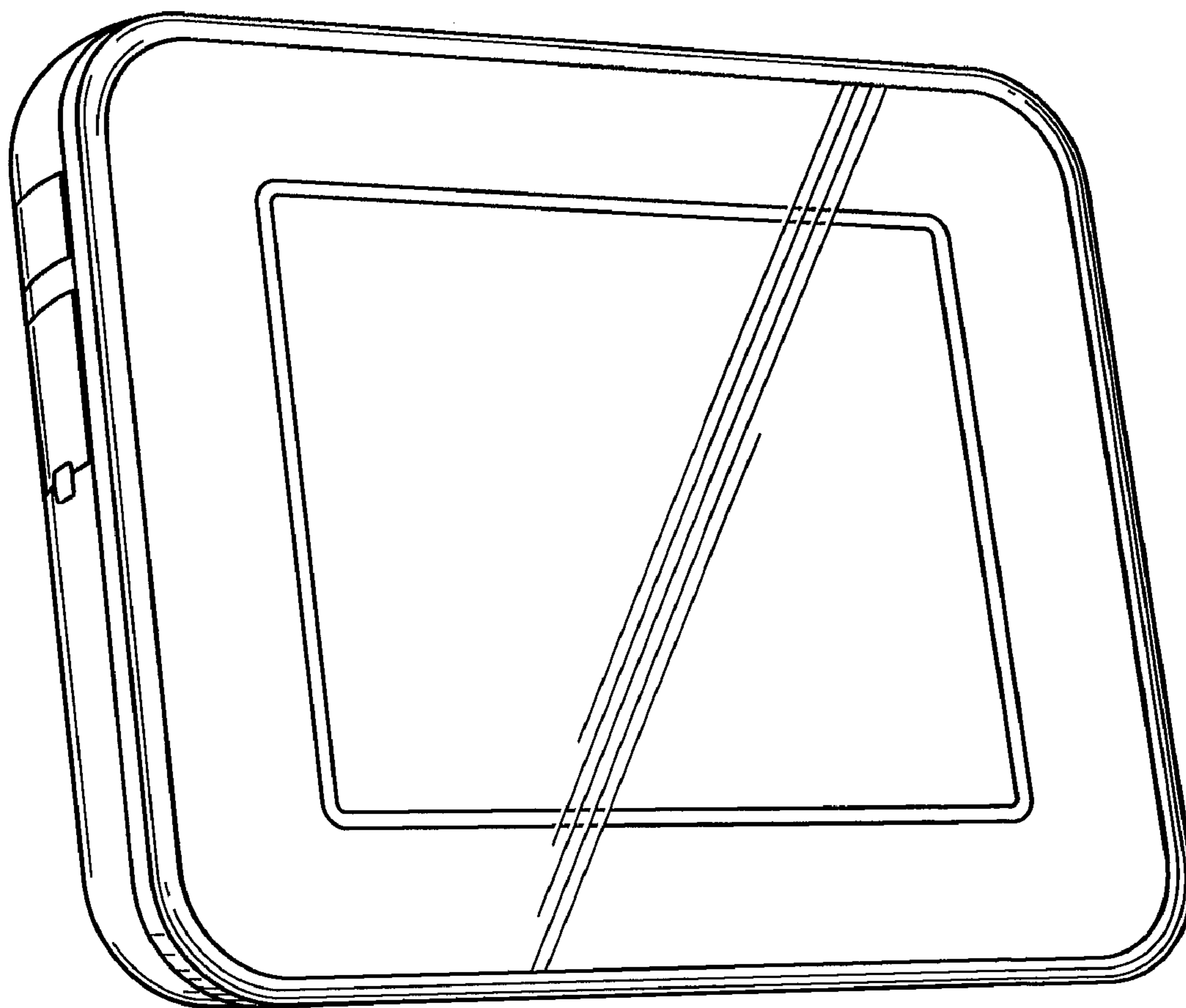


Fig. 9

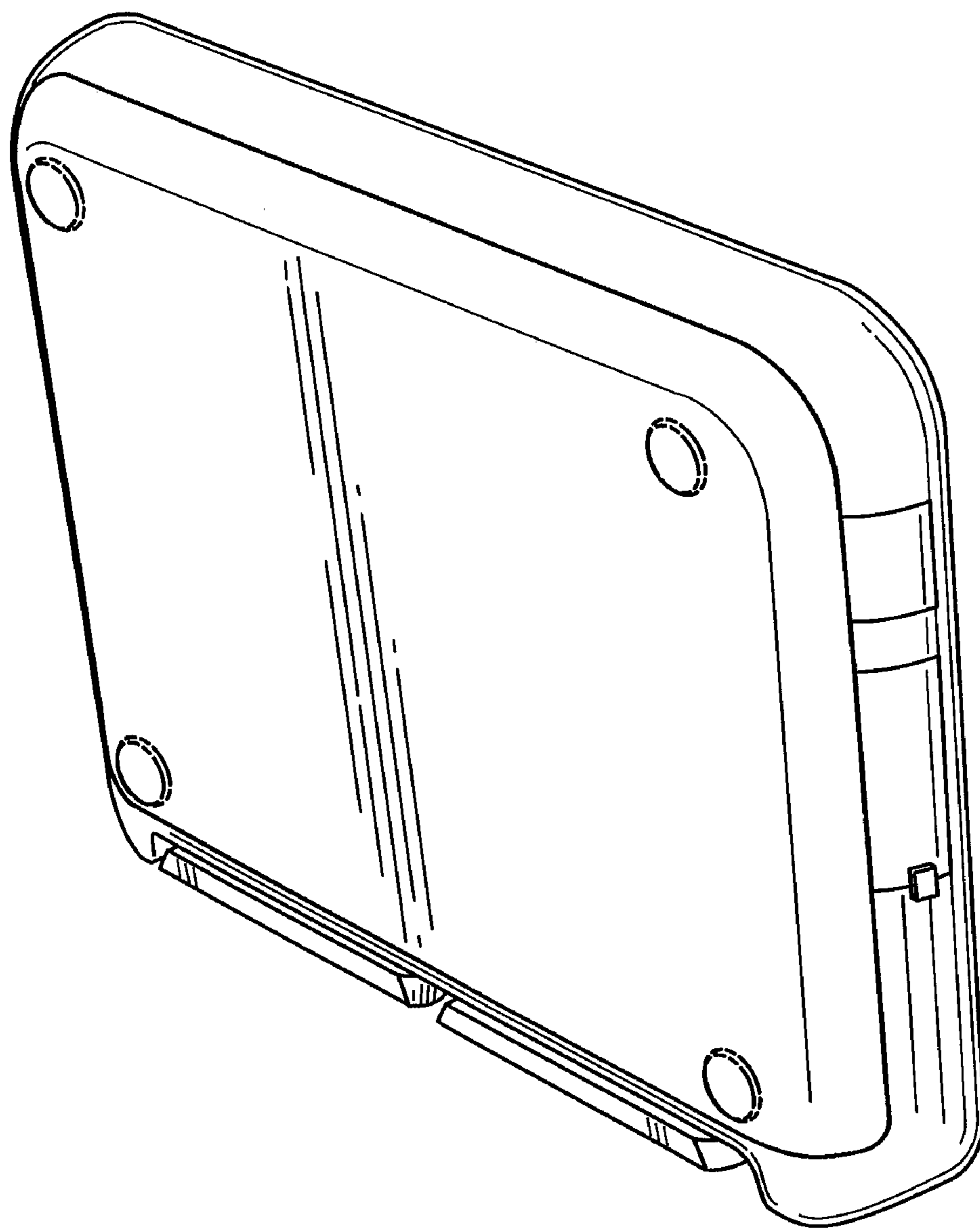


Fig. 10

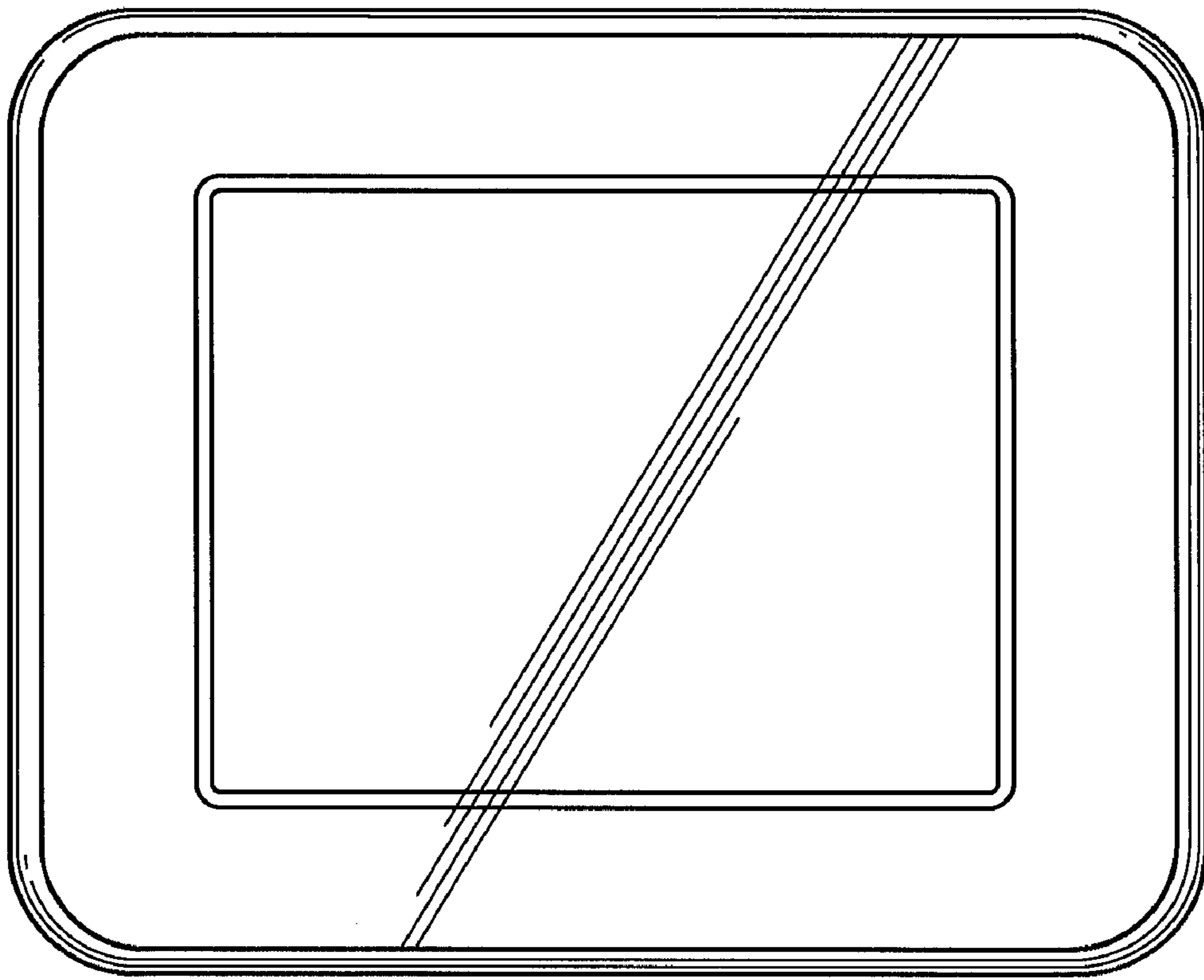


Fig. 11

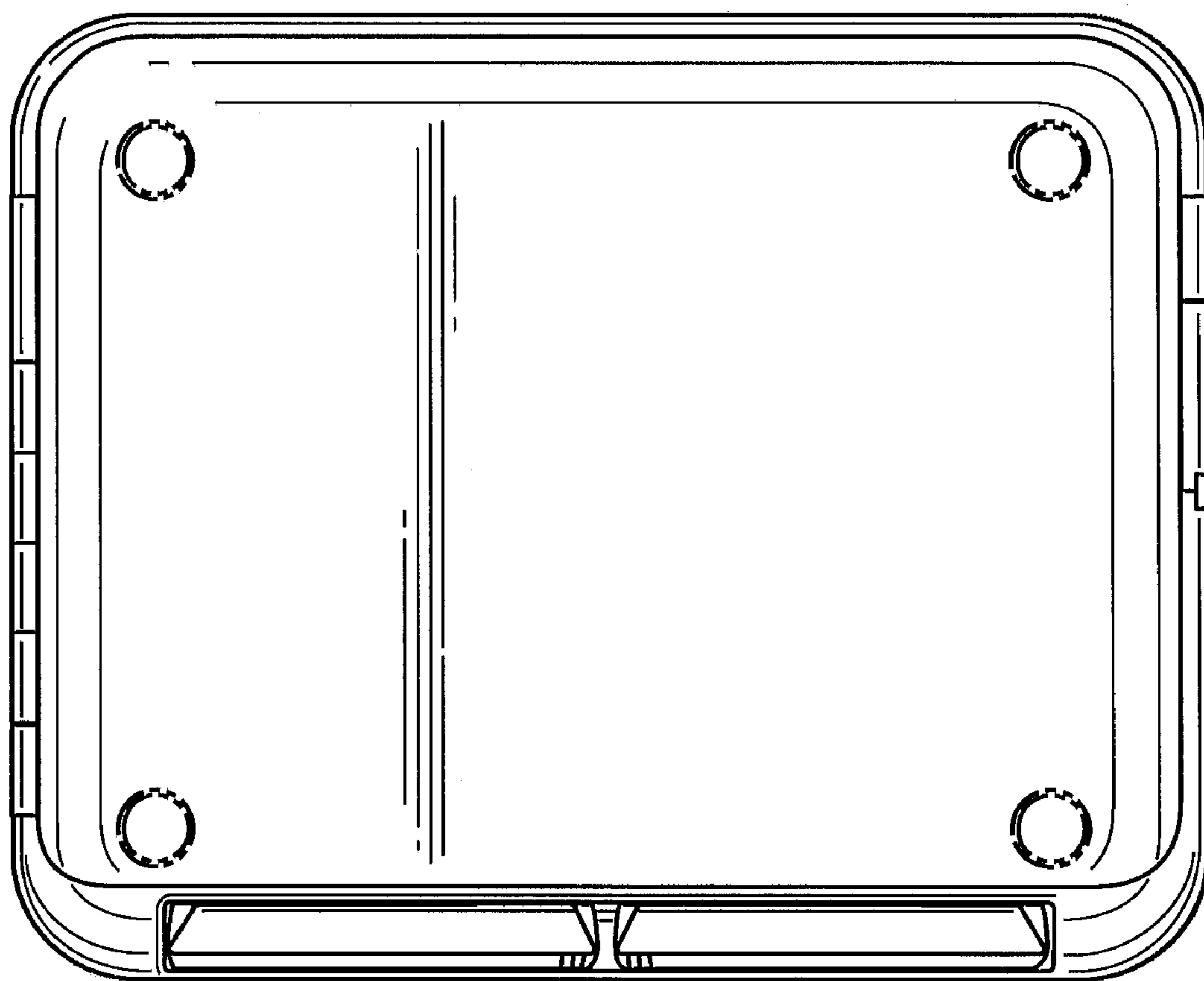


Fig. 12

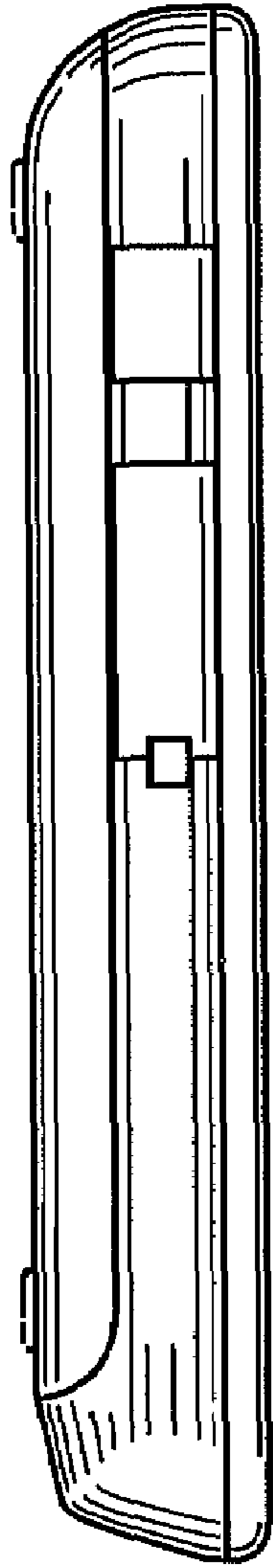


Fig. 13

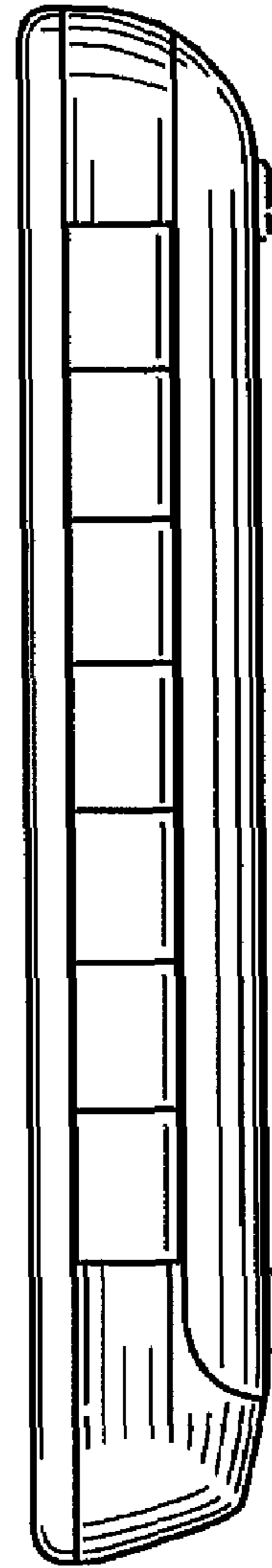


Fig. 14

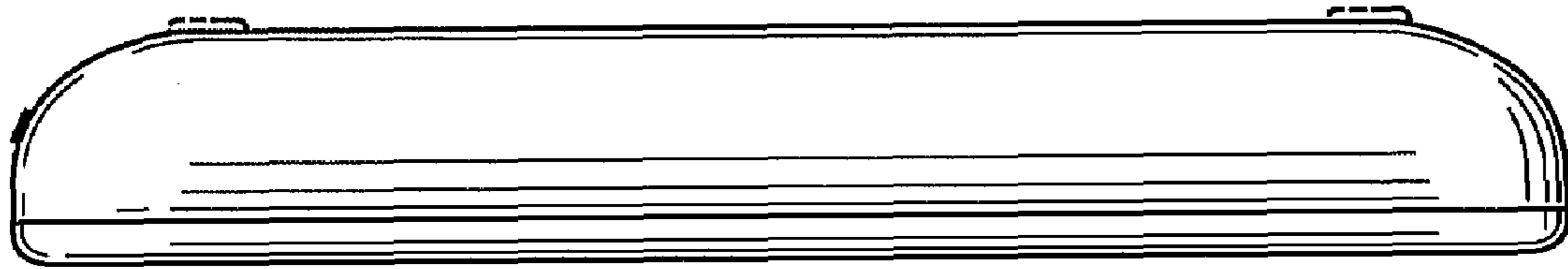


Fig. 15

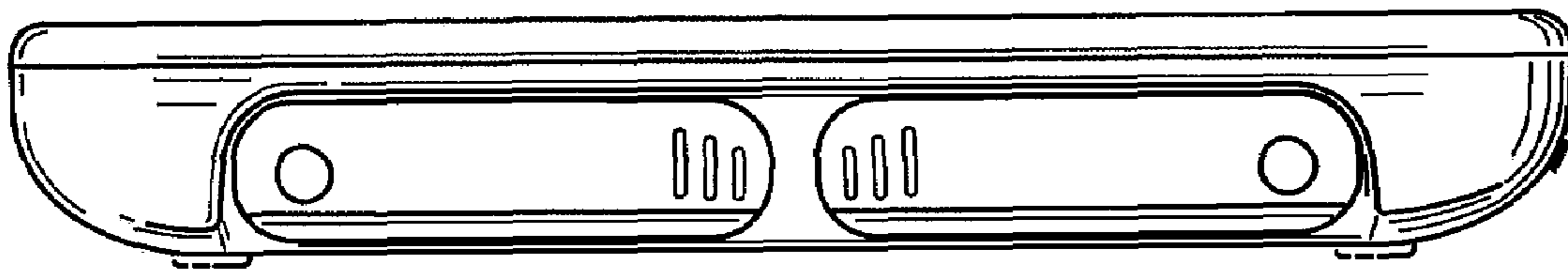


Fig. 16

UNITED STATES PATENT AND TRADEMARK OFFICE
CERTIFICATE OF CORRECTION

PATENT NO. : Des. 601,353 S
APPLICATION NO. : 29/325579
DATED : October 6, 2009
INVENTOR(S) : Sadler et al.

Page 1 of 1

It is certified that error appears in the above-identified patent and that said Letters Patent is hereby corrected as shown below:

On the Title Page, Item (73) Assignee:

The Assignee is listed as "MarchSource, LLC" and should be changed to --MerchSource, LLC--.

Signed and Sealed this

Twenty-fourth Day of November, 2009



David J. Kappos
Director of the United States Patent and Trademark Office