



US00D601350S

(12) **United States Design Patent**
Wales

(10) **Patent No.:** **US D601,350 S**

(45) **Date of Patent:** **** Oct. 6, 2009**

(54) **GRILL BRUSH ATTACHMENT HAVING
THREE ROWS OF BRISTLES**

(76) Inventor: **Michael Wales**, 140 Indian Head Rd.,
Riverside, CT (US) 06878

(**) Term: **14 Years**

(21) Appl. No.: **29/336,935**

(22) Filed: **May 12, 2009**

(51) **LOC (9) Cl.** **04-99**

(52) **U.S. Cl.** **D4/199; D4/130**

(58) **Field of Classification Search** D4/116,
D4/119, 120, 130, 132, 135, 199; 15/106,
15/107, 146, 159.1, 160, 176.1, 191.1, 192,
15/193; D32/42, 47

See application file for complete search history.

(56) **References Cited**

U.S. PATENT DOCUMENTS

3,434,175	A *	3/1969	Bray	15/105
4,146,943	A *	4/1979	Wertheimer et al.	15/111
5,488,750	A *	2/1996	Vosbikian et al.	15/119.2
6,178,581	B1 *	1/2001	Lewis	15/116.2
6,438,784	B1 *	8/2002	Yu	15/106
D562,563	S *	2/2008	Wales	D4/114
2007/0199169	A1 *	8/2007	Vosbikian et al.	15/106

* cited by examiner

Primary Examiner—Melanie H Tung

Assistant Examiner—Lavone D Tabor

(74) *Attorney, Agent, or Firm*—St. Onge Steward Johnston &
Reens LLC

(57) **CLAIM**

The ornamental design for a grill brush attachment having
three rows of bristles, as shown and described.

DESCRIPTION

FIG. 1 is a rear isometric view of a grill brush attachment
having three rows of bristles in accordance with the new
design;

FIG. 2 is a rear view thereof;

FIG. 3 is a front view thereof;

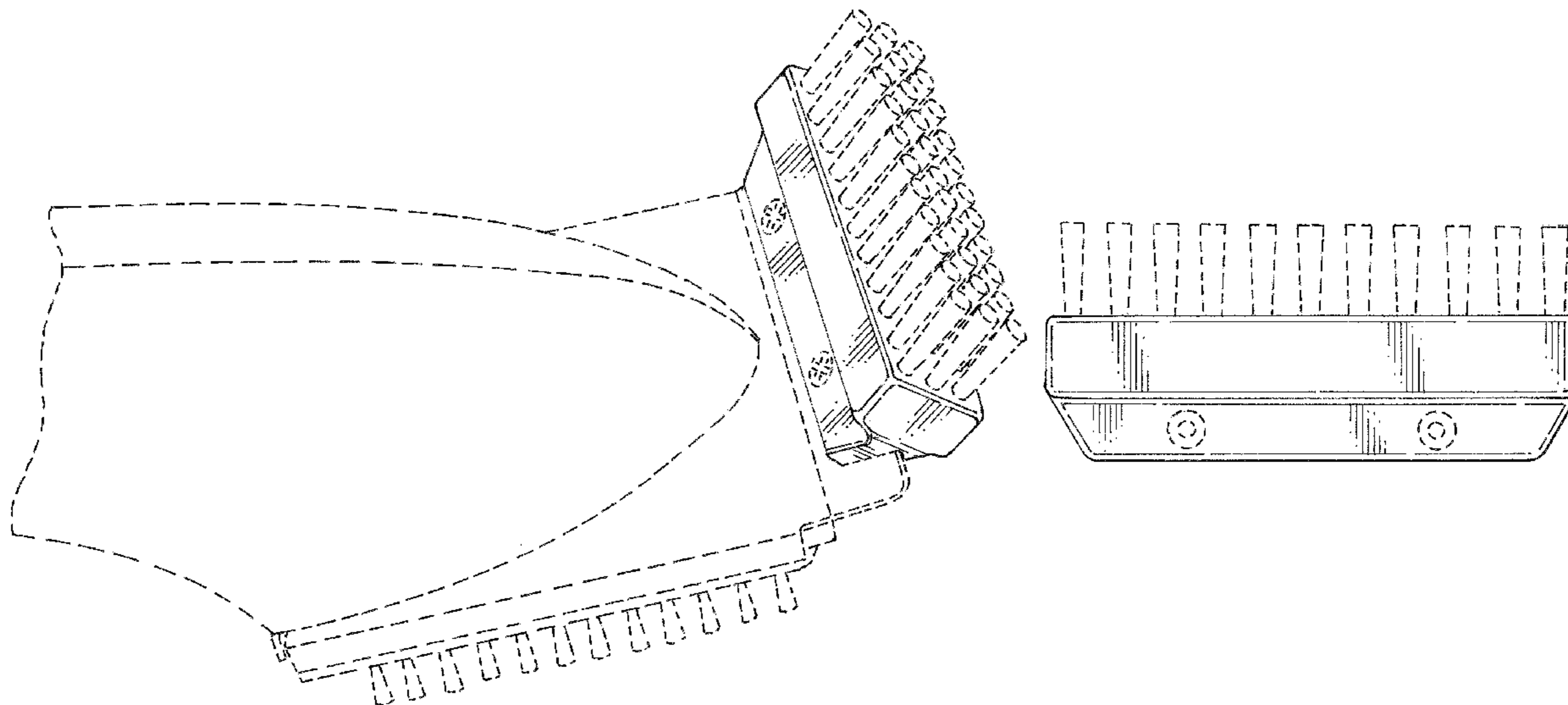
FIG. 4 is a top view thereof;

FIG. 5 is a bottom view thereof; and,

FIG. 6 is a side view thereof.

The broken lines shown on the side of the grill brush attach-
ment in FIGS. 1 and 6 and the horizontal broken lines shown
on the attachment in FIG. 5 represent the bounds of the claim
while the broken lines showing bristles extending from the
top of the attachment illustrate a portion thereof. All of the
other broken lines are understood to illustrate the environ-
ment in which the article embodying the design is used. None
of the broken lines form part of the claimed design.

1 Claim, 2 Drawing Sheets



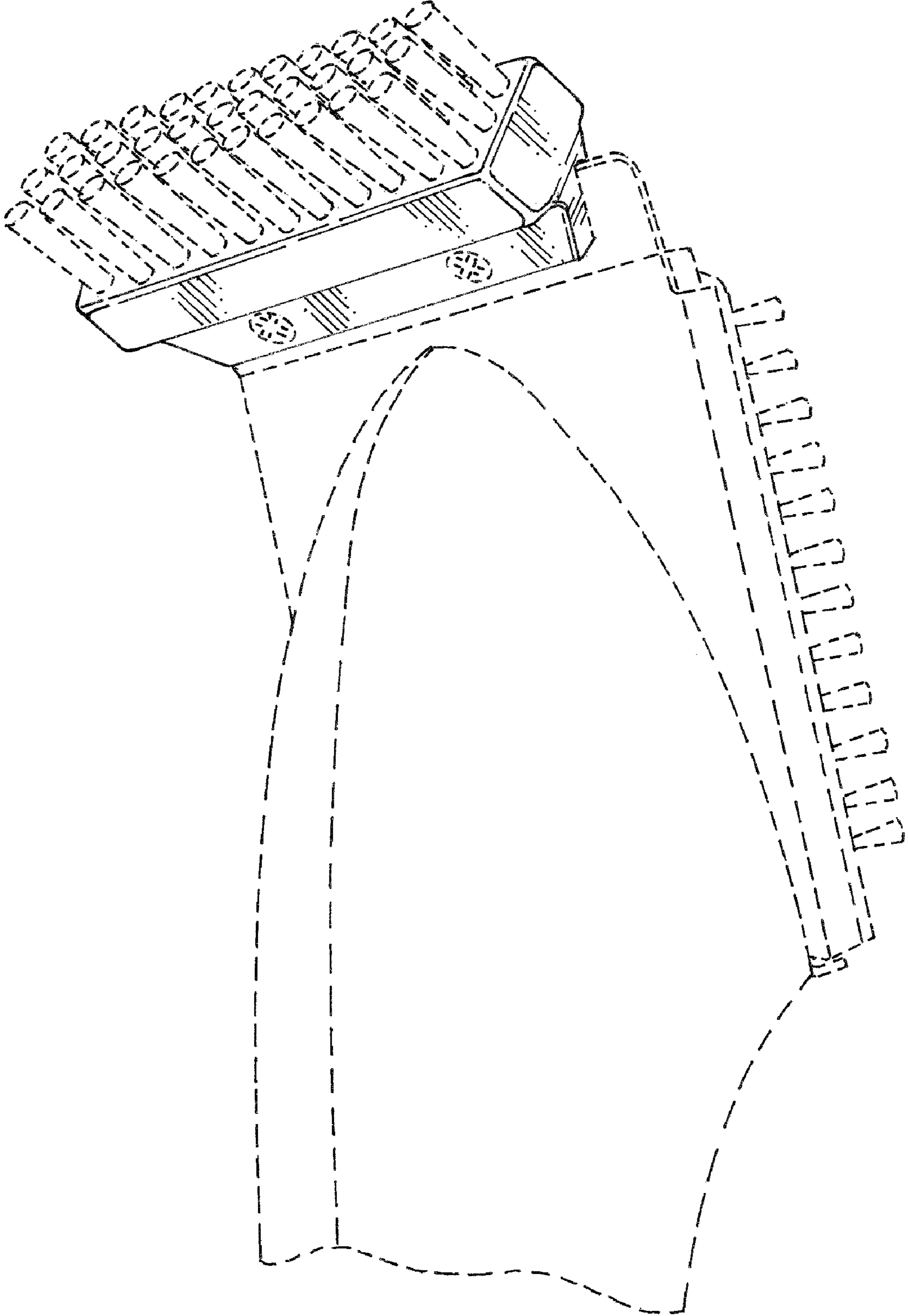


FIG. 1

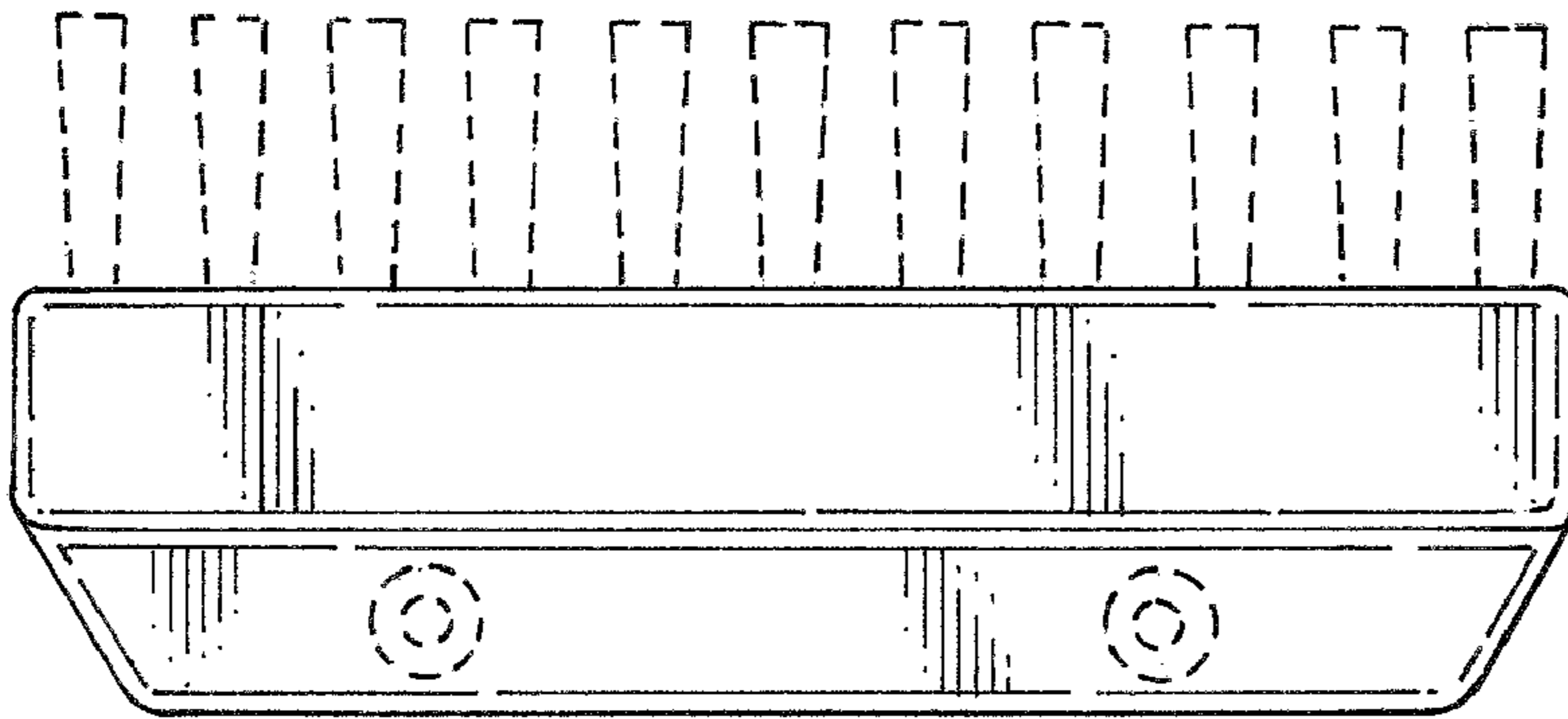


FIG. 2

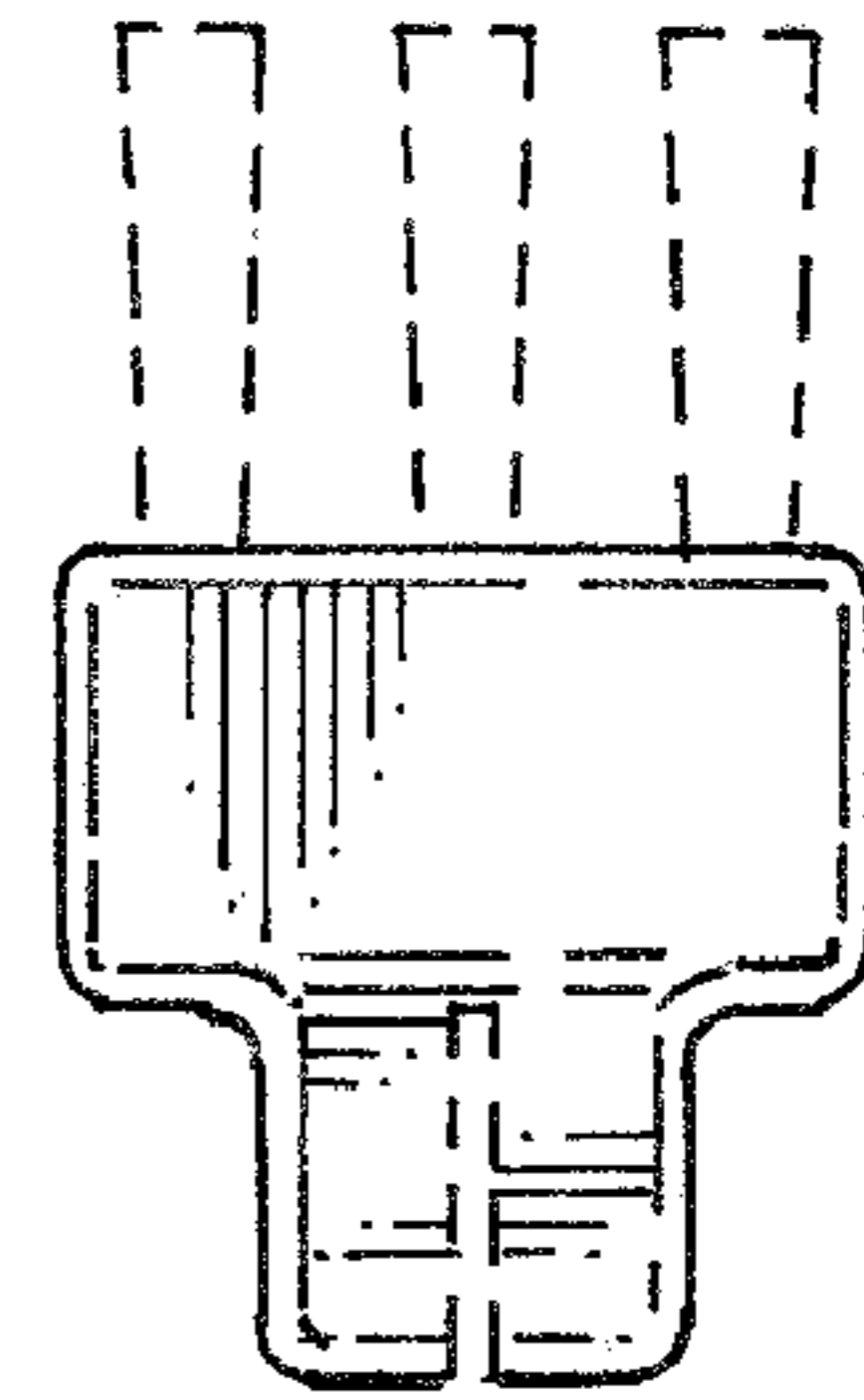


FIG. 6

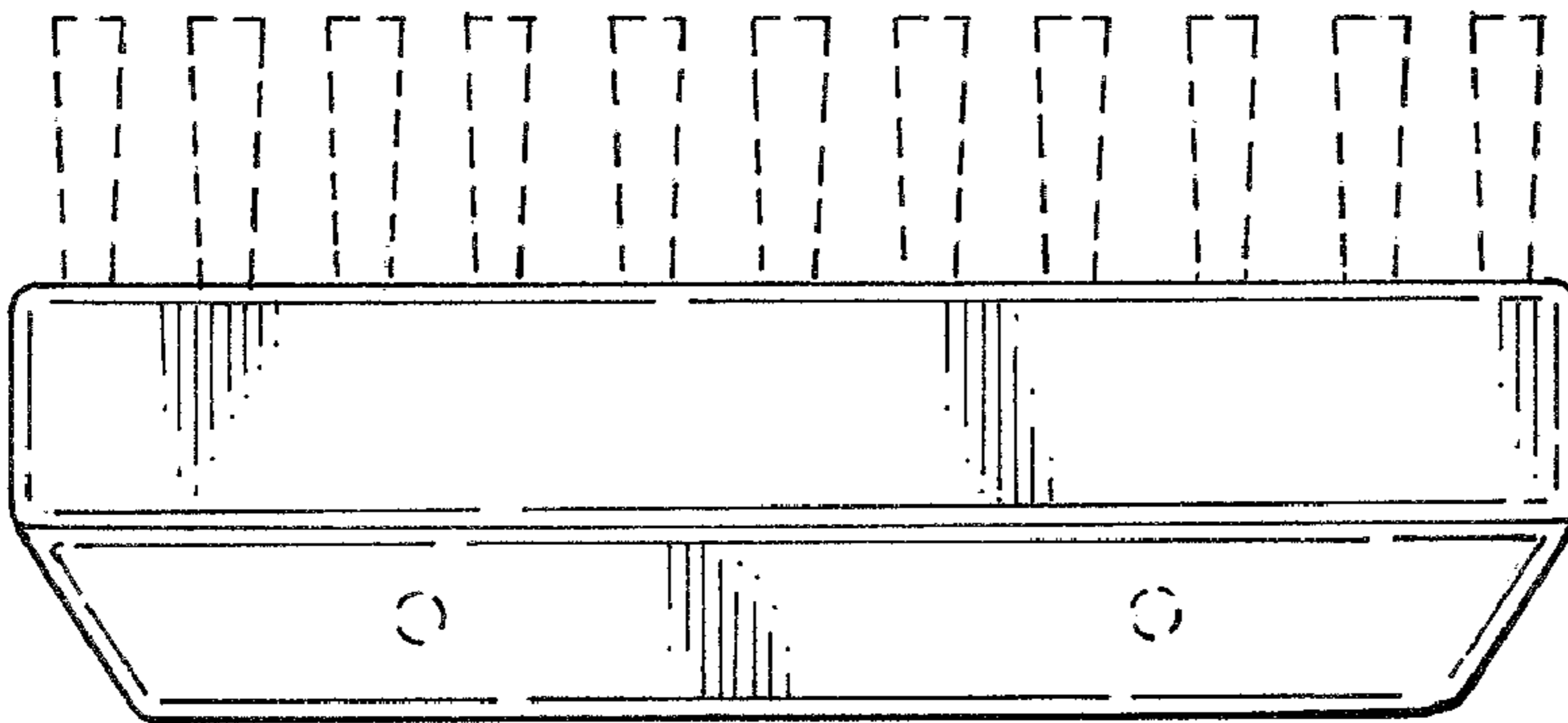


FIG. 3

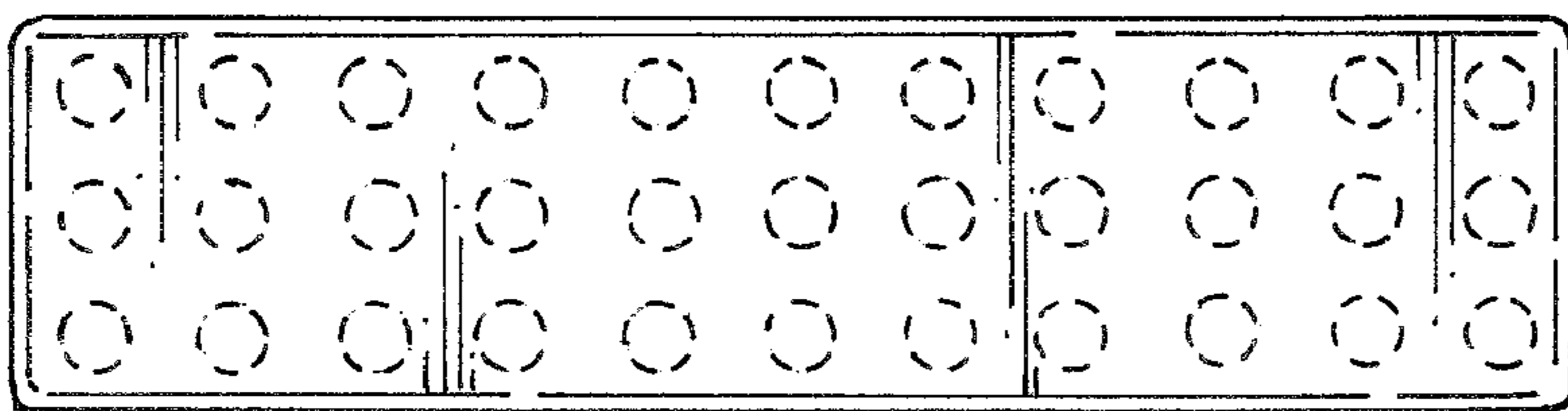


FIG. 4

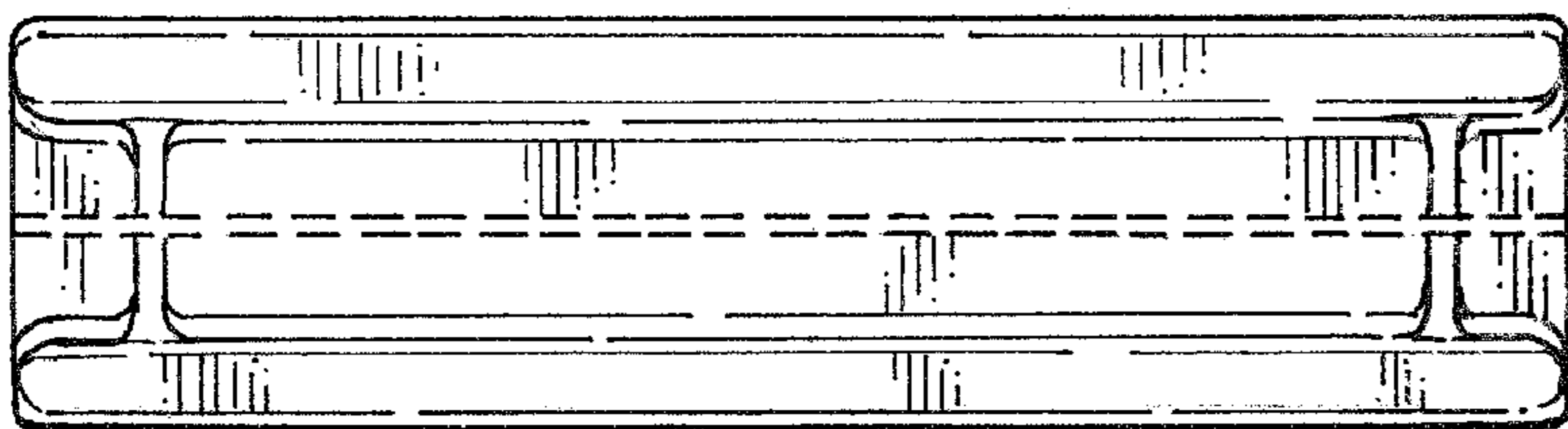


FIG. 5