



US00D601348S

(12) **United States Design Patent**  
**Choi**

(10) **Patent No.:** **US D601,348 S**  
(45) **Date of Patent:** **\*\* Oct. 6, 2009**

(54) **BRUSH ACCESSORY**

(75) Inventor: **Lung Wai Choi**, Hong Kong (CN)

(73) Assignee: **Goodway Electrical Co., Ltd.**, Hong Kong (HK)

(\*\*) Term: **14 Years**

(21) Appl. No.: **29/314,355**

(22) Filed: **Mar. 24, 2009**

**Related U.S. Application Data**

(62) Division of application No. 29/266,428, filed on Sep. 20, 2006.

(30) **Foreign Application Priority Data**

Mar. 20, 2006 (EM) ..... 000501242-0001  
Mar. 20, 2006 (EM) ..... 000501242-0002

(51) **LOC (9) Cl.** ..... **04-02**

(52) **U.S. Cl.** ..... **D4/130**

(58) **Field of Classification Search** ..... D4/114,  
D4/130, 132-134, 136, 199; D32/35; 15/160,  
15/188; 68/222; 219/227, 243, 245; 392/403-406  
See application file for complete search history.

(56) **References Cited**

**U.S. PATENT DOCUMENTS**

3,675,449 A \* 7/1972 Bluestein ..... 68/222

D459,041 S \* 6/2002 Foersterling ..... D32/35  
D476,160 S \* 6/2003 Choi ..... D4/121  
D511,232 S \* 11/2005 Barquin Santillan et al. . D32/35  
6,986,217 B2 \* 1/2006 Leung et al. .... 38/77.83

**FOREIGN PATENT DOCUMENTS**

JP 05317600 A \* 12/1993

\* cited by examiner

*Primary Examiner*—Melanie H Tung

*Assistant Examiner*—Lavone D Tabor

(74) *Attorney, Agent, or Firm*—Ostrolenk Faber LLP

(57) **CLAIM**

The ornamental design for a brush accessory, as shown.

**DESCRIPTION**

FIG. 1 is a rear, left side perspective view of a brush accessory showing my new design;

FIG. 2 is a front view thereof;

FIG. 3 is a rear view thereof;

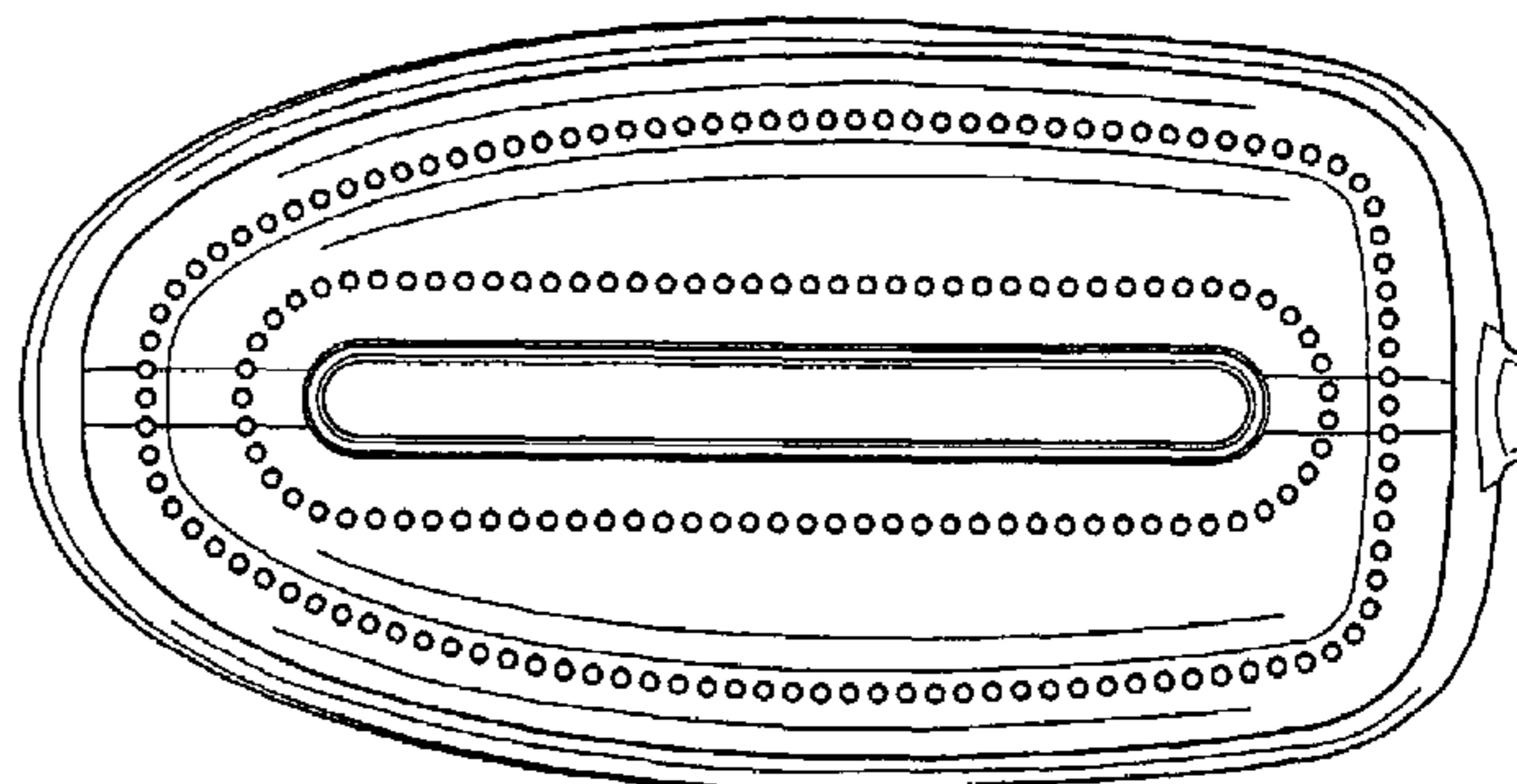
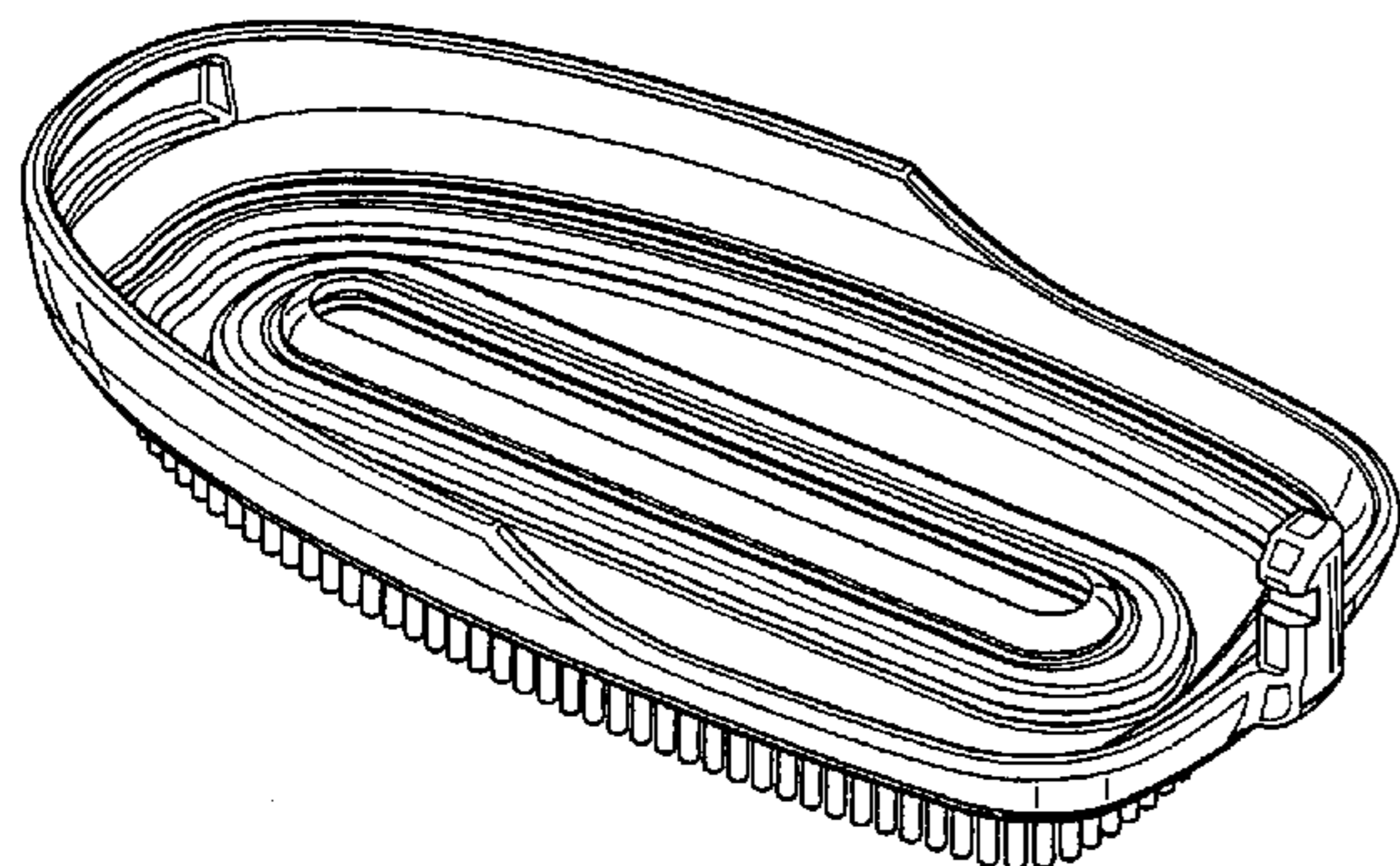
FIG. 4 is a left side view thereof;

FIG. 5 is a right side view thereof;

FIG. 6 is a top view thereof; and,

FIG. 7 is a bottom view thereof.

**1 Claim, 7 Drawing Sheets**



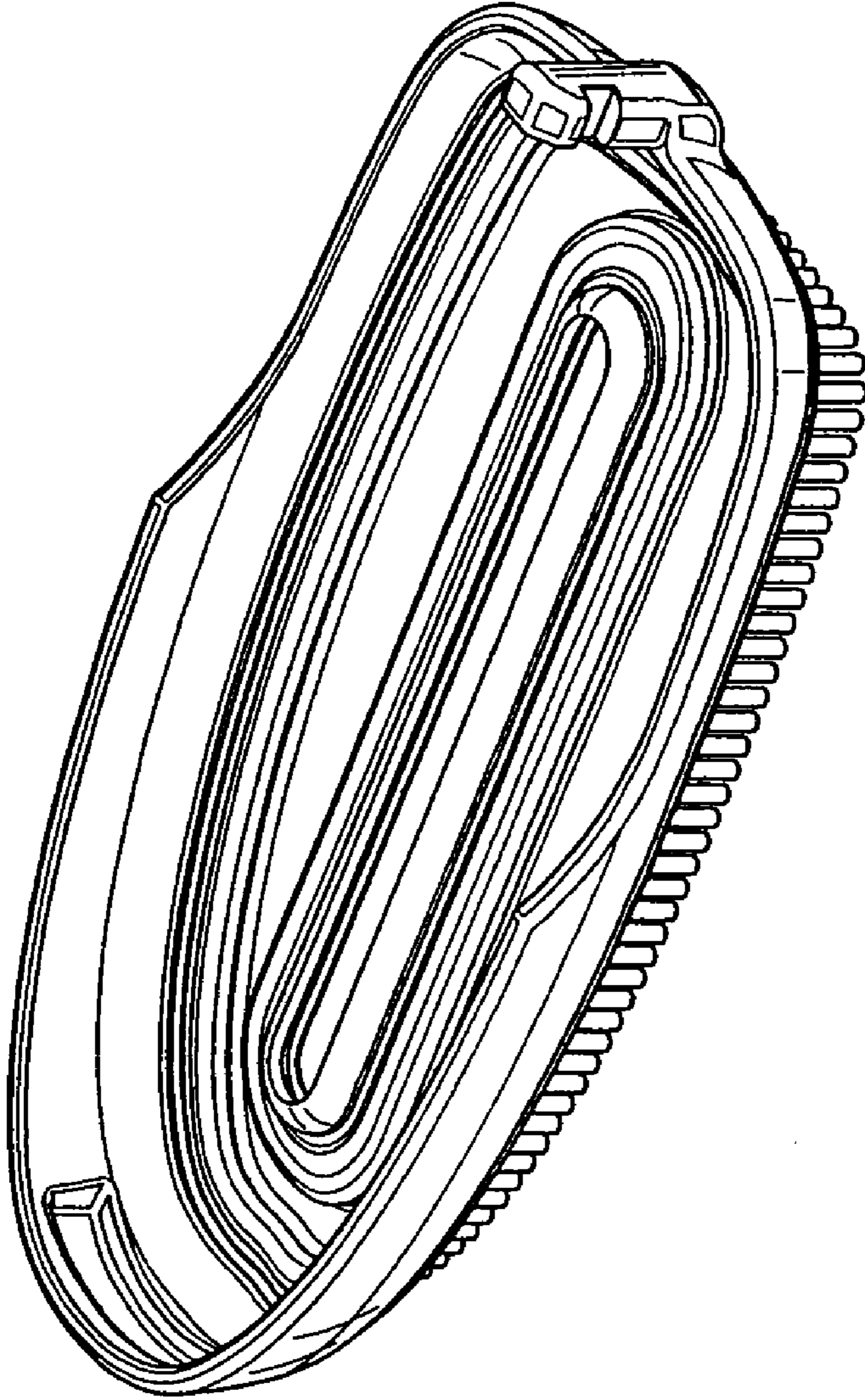


FIG. 1

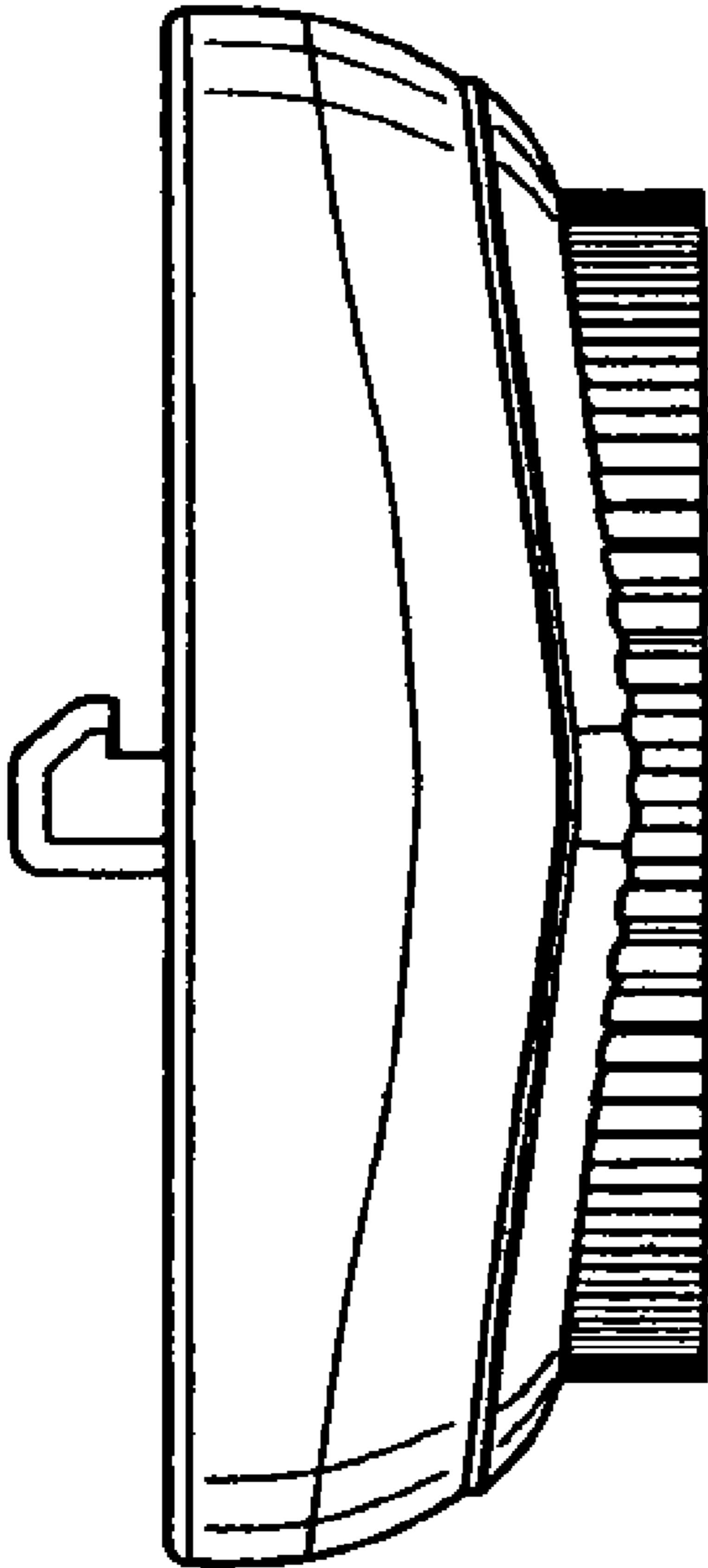


FIG. 2

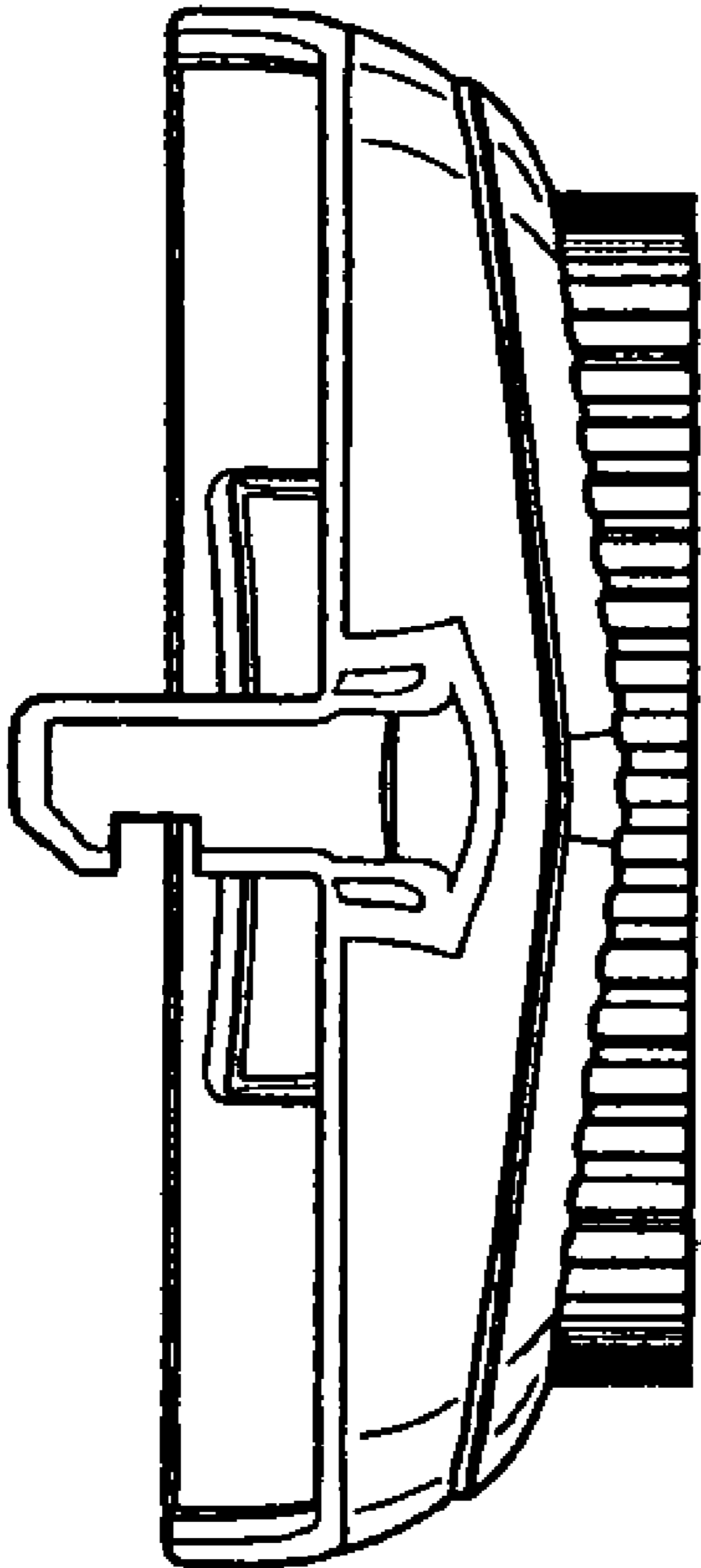


FIG. 3

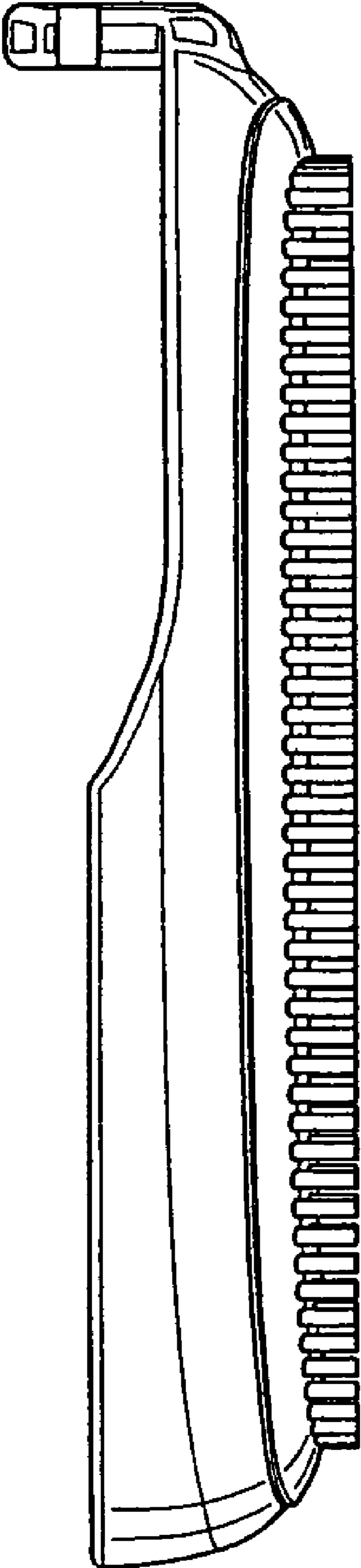


FIG. 4

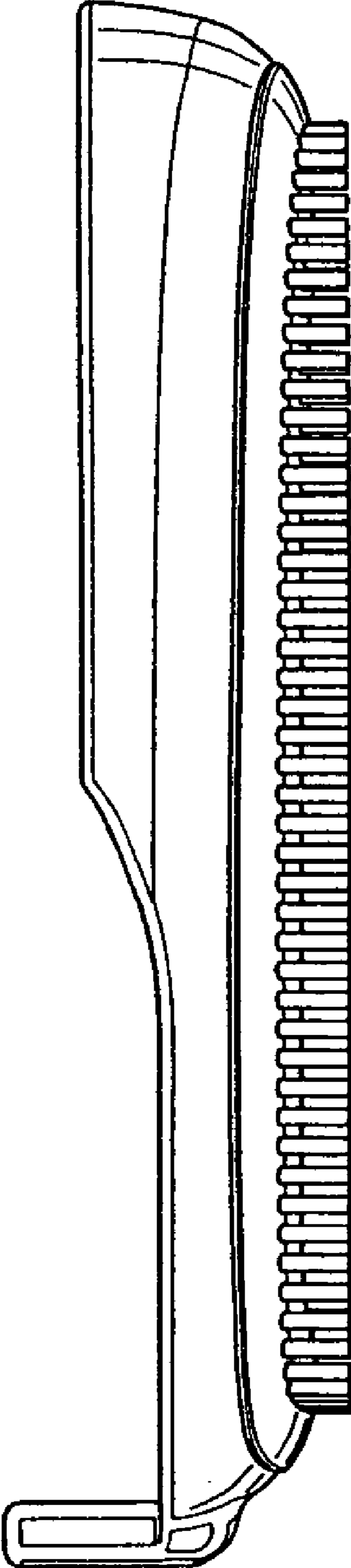


FIG. 5

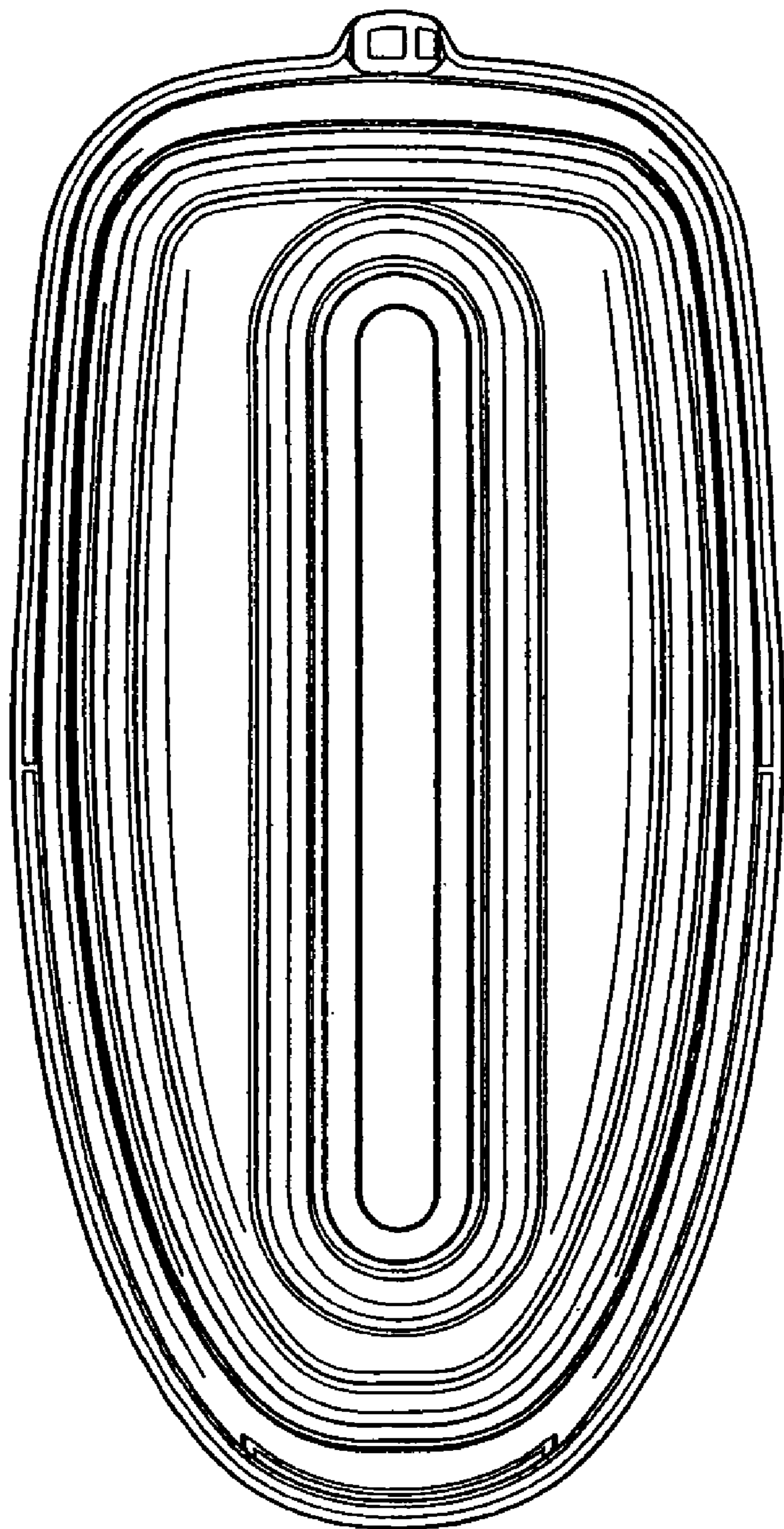


FIG. 6

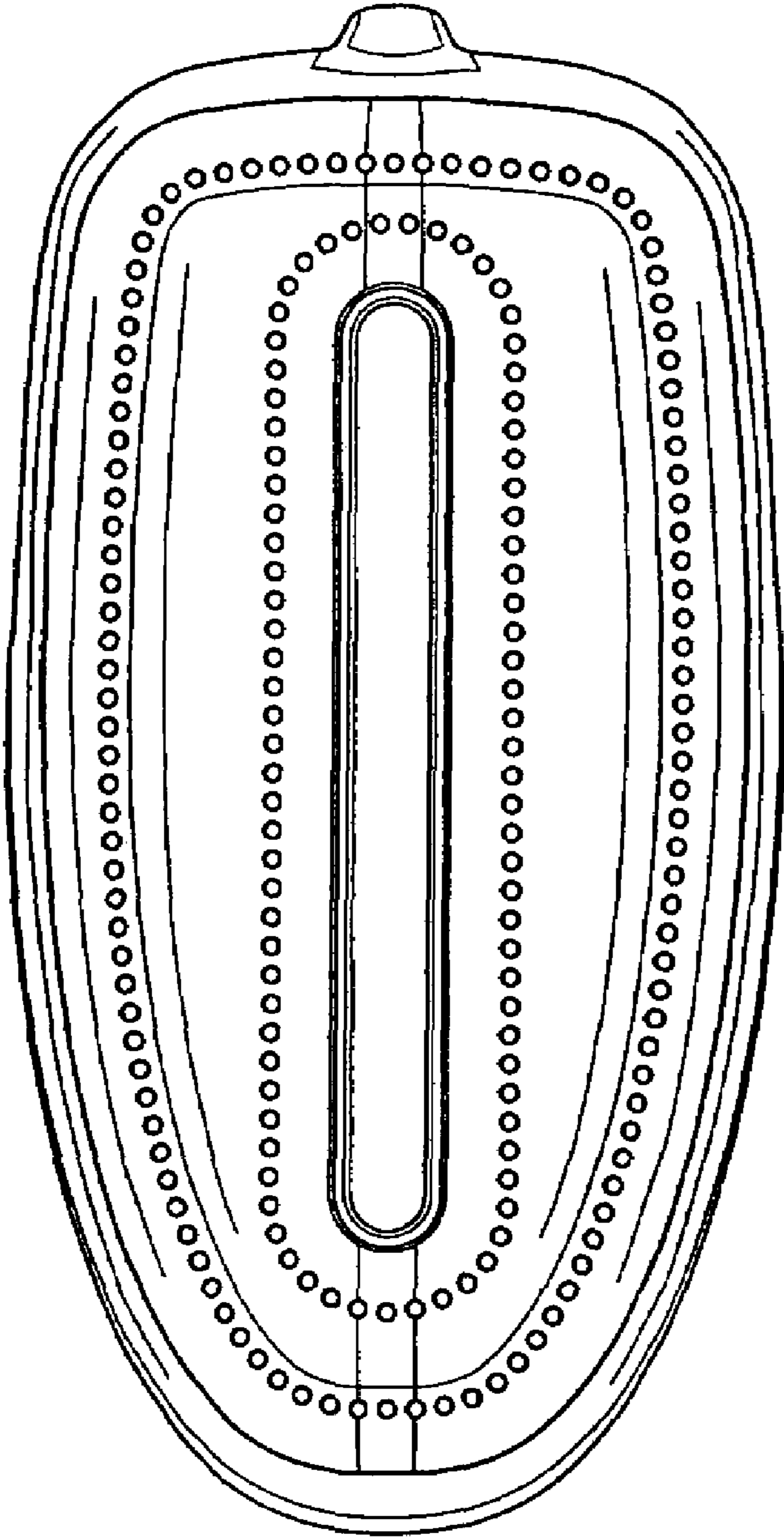


FIG. 7