



US00D601343S

(12) **United States Design Patent**
Franczyk et al.

(10) **Patent No.:** **US D601,343 S**

(45) **Date of Patent:** **** Oct. 6, 2009**

(54) **BAG STATION**

(75) Inventors: **Cathy Franczyk**, Woodridge, IL (US);
David Starr, Woodridge, IL (US)

(73) Assignee: **Wilton Industries Inc.**, Woodridge, IL (US)

(**) Term: **14 Years**

(21) Appl. No.: **29/333,394**

(22) Filed: **Mar. 9, 2009**

(51) **LOC (9) Cl.** **03-01**

(52) **U.S. Cl.** **D3/313**

(58) **Field of Classification Search** D3/201,
D3/304-310, 312-313; D6/512, 514, 566;
206/557, 562

See application file for complete search history.

(56) **References Cited**

U.S. PATENT DOCUMENTS

| | | | | |
|---------------|---------|-----------|-------|---------|
| D55,496 S * | 6/1920 | White | | D7/590 |
| D192,677 S * | 5/1962 | Schaefer | | D6/510 |
| D217,851 S * | 6/1970 | Yankovich | | D3/313 |
| 3,840,171 A * | 10/1974 | Waters | | 206/562 |
| D247,533 S * | 3/1978 | Noyes | | D6/514 |
| D259,003 S * | 4/1981 | Goebel | | D6/512 |
| D381,515 S * | 7/1997 | Haynes | | D3/313 |

| | | | | |
|-------------------|---------|----------------|-------|---------|
| D504,550 S * | 4/2005 | Setcer, Jr. | | D99/34 |
| D515,941 S * | 2/2006 | Hamblin et al. | | D9/756 |
| D529,401 S * | 10/2006 | Aoki | | D9/756 |
| D589,626 S * | 3/2009 | Petersen | | D24/230 |
| 2006/0283767 A1 * | 12/2006 | White West | | 206/557 |

* cited by examiner

Primary Examiner—T. Chase Nelson

Assistant Examiner—Kathleen M Sims

(74) *Attorney, Agent, or Firm*—McGuireWoods, LLP

(57) **CLAIM**

We claim the ornamental design for a bag station, as shown and described.

DESCRIPTION

FIG. 1 is a top side perspective view of a bag station showing my new design;

FIG. 2 is a top view thereof;

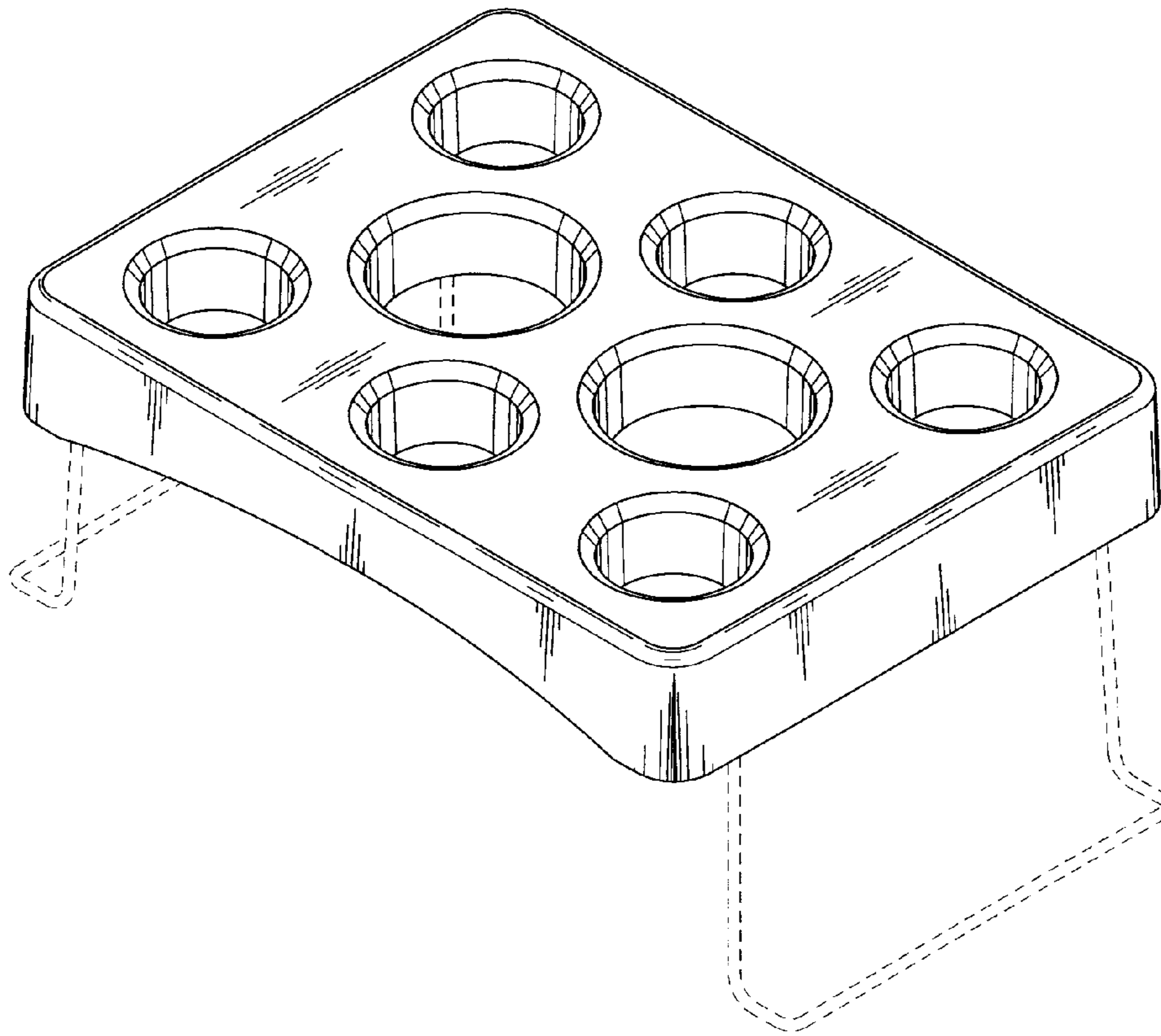
FIG. 3 is a front view thereof; and,

FIG. 4 is a side view thereof.

The subject matter shown in dashed lines, and any surfaces of the design not shown, including interior surfaces, form no part of the claimed invention.

The design may be made of metal and/or synthetic material.

1 Claim, 4 Drawing Sheets



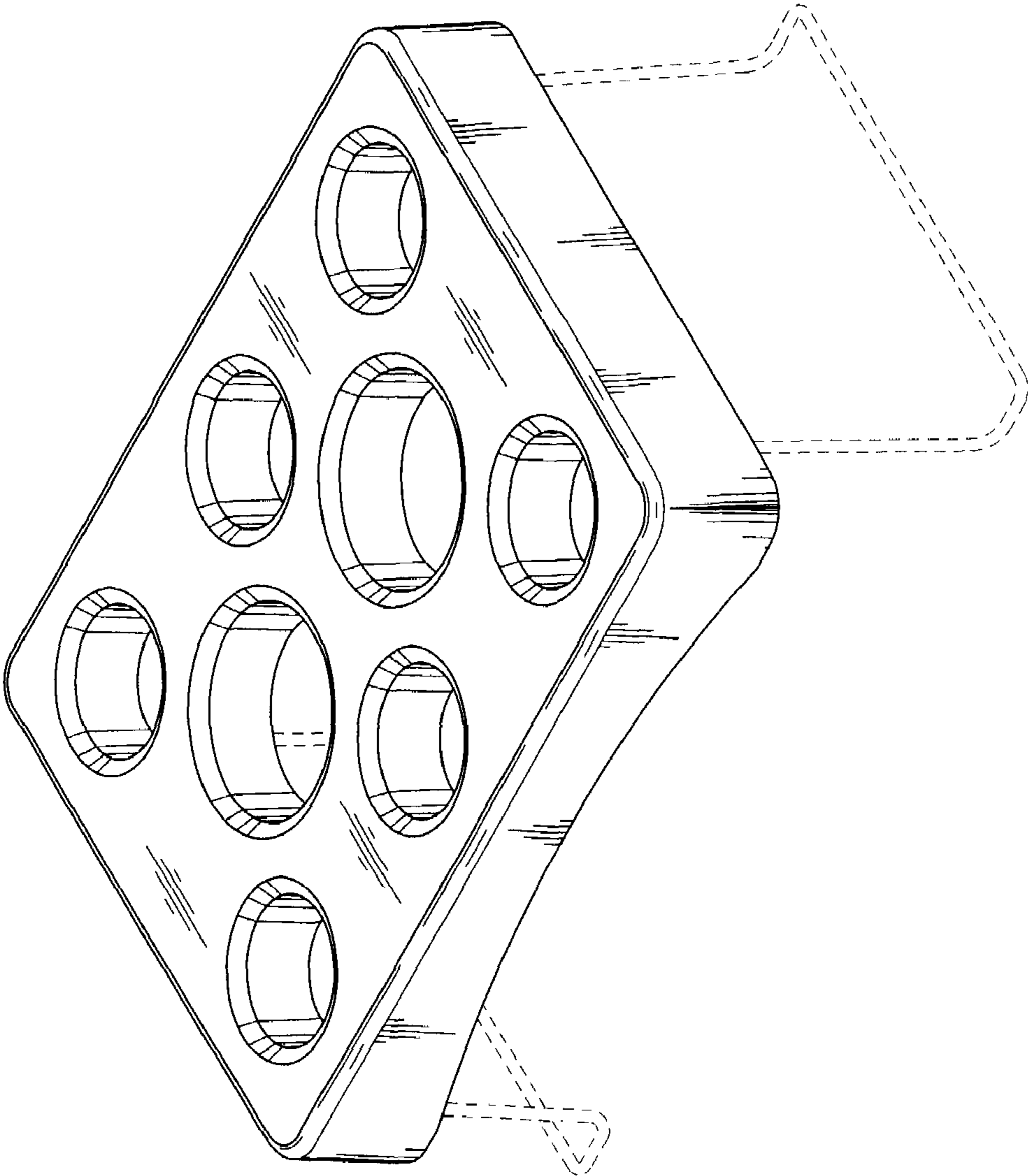


FIG. 1

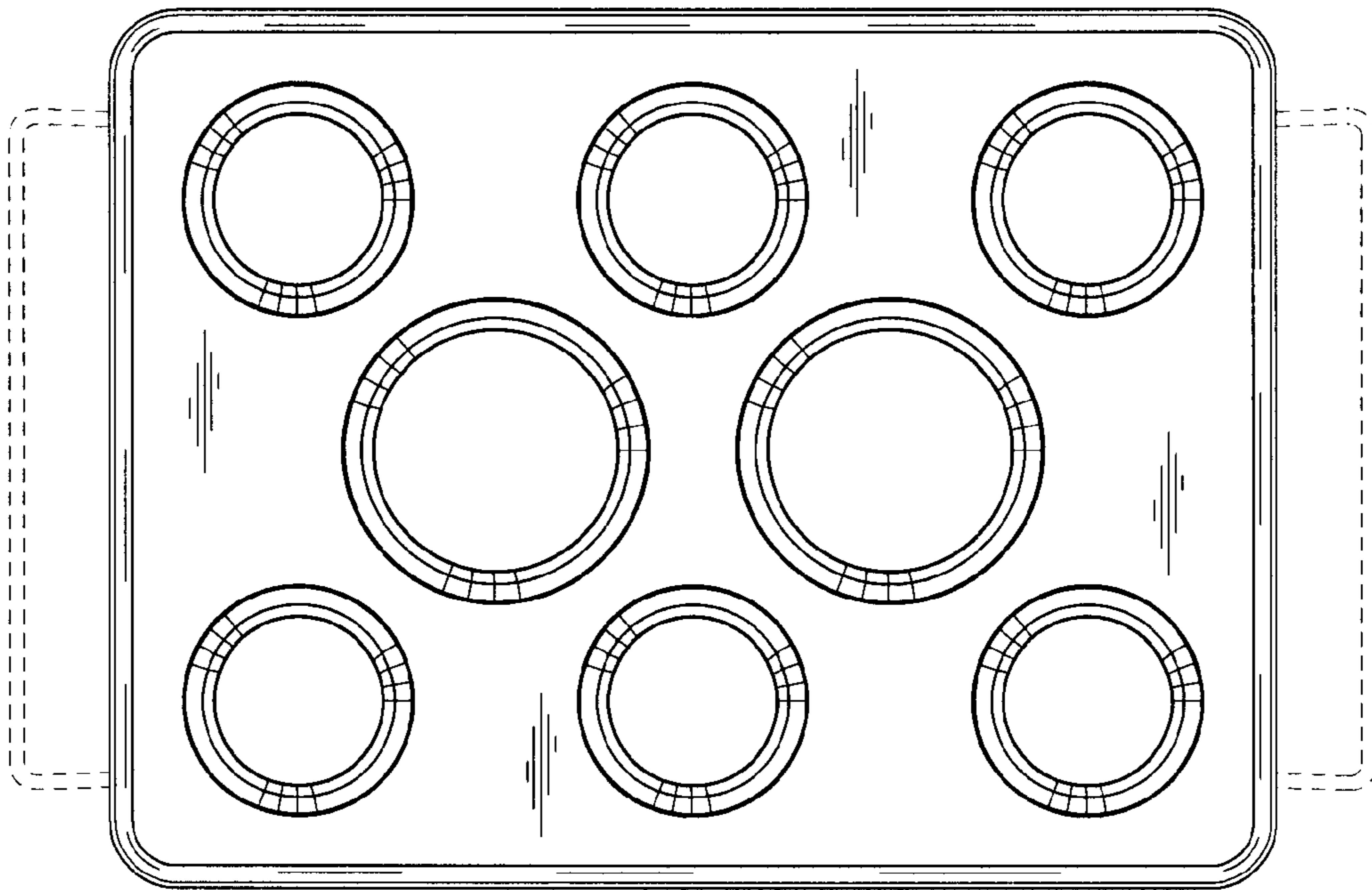


FIG. 2

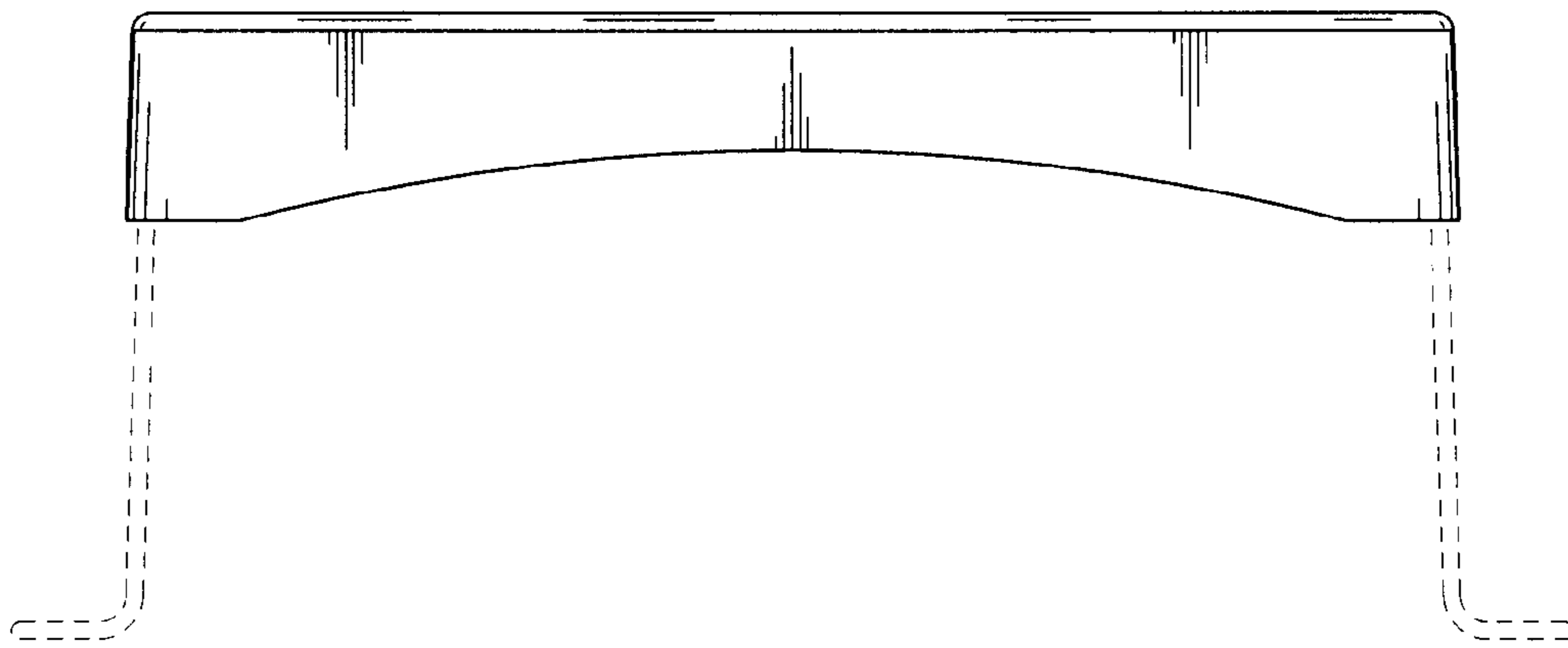


FIG. 3

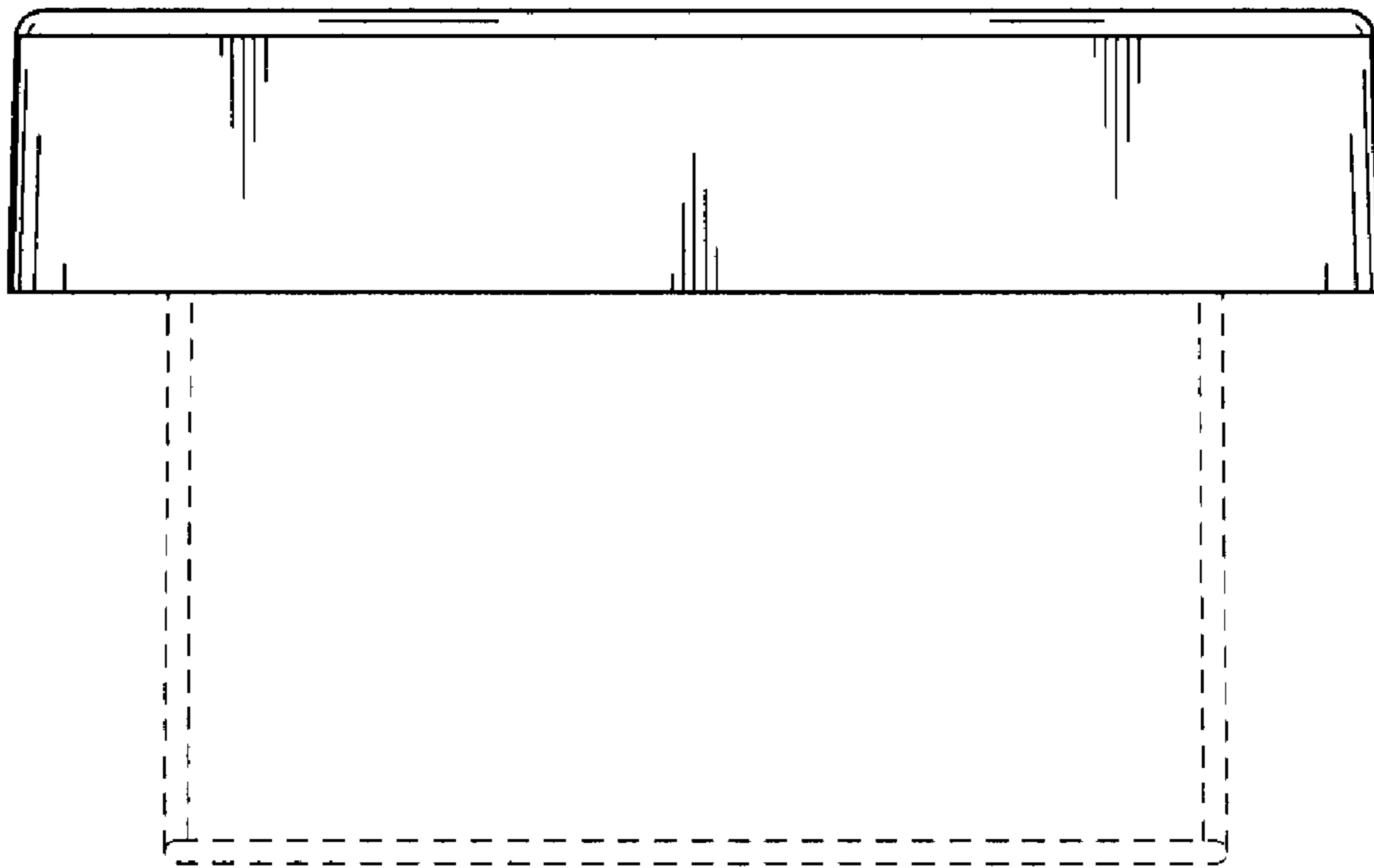


FIG. 4