



US00D601339S

(12) **United States Design Patent**
Zusman

(10) **Patent No.:** **US D601,339 S**
(45) **Date of Patent:** **** Oct. 6, 2009**

(54) **PISTOL HOLSTER AND MAGAZINE POUCH**

4,277,007 A 7/1981 Bianchi et al. 224/193
4,286,741 A 9/1981 Rogers 224/193

(76) Inventor: **Nisim Zusman**, Meshek #87, Moshav
Emi Ayala, D.N. Chof Hacarmel,
Moshav Ein Ayala (IL) 30805

(Continued)

(**) Term: **14 Years**

FOREIGN PATENT DOCUMENTS

(21) Appl. No.: **29/324,871**

DE 26 39 248 3/1978
GB 2 256 700 12/1992

(22) Filed: **Sep. 22, 2008**

OTHER PUBLICATIONS

(51) **LOC (9) Cl.** **03-01**

(52) **U.S. Cl.** **D3/222**

(58) **Field of Classification Search** D3/222-223,
D3/215, 221, 224, 230; 224/911, 914, 672,
224/931, 674, 239, 236-237, 245, 240-242

Springfield Armory, XD Point and Shoot Ergonomics, Jan. 2007,
front cover, rear cover and pp. 1-34.
Holsters by Fobus, Jul. 31, 2008.

See application file for complete search history.

Primary Examiner—Catherine R Oliver
(74) *Attorney, Agent, or Firm*—Morgan Lewis & Bockius
LLP

(56) **References Cited**

(57) **CLAIM**

U.S. PATENT DOCUMENTS

The ornamental design for a pistol holster and magazine
pouch, as shown and described.

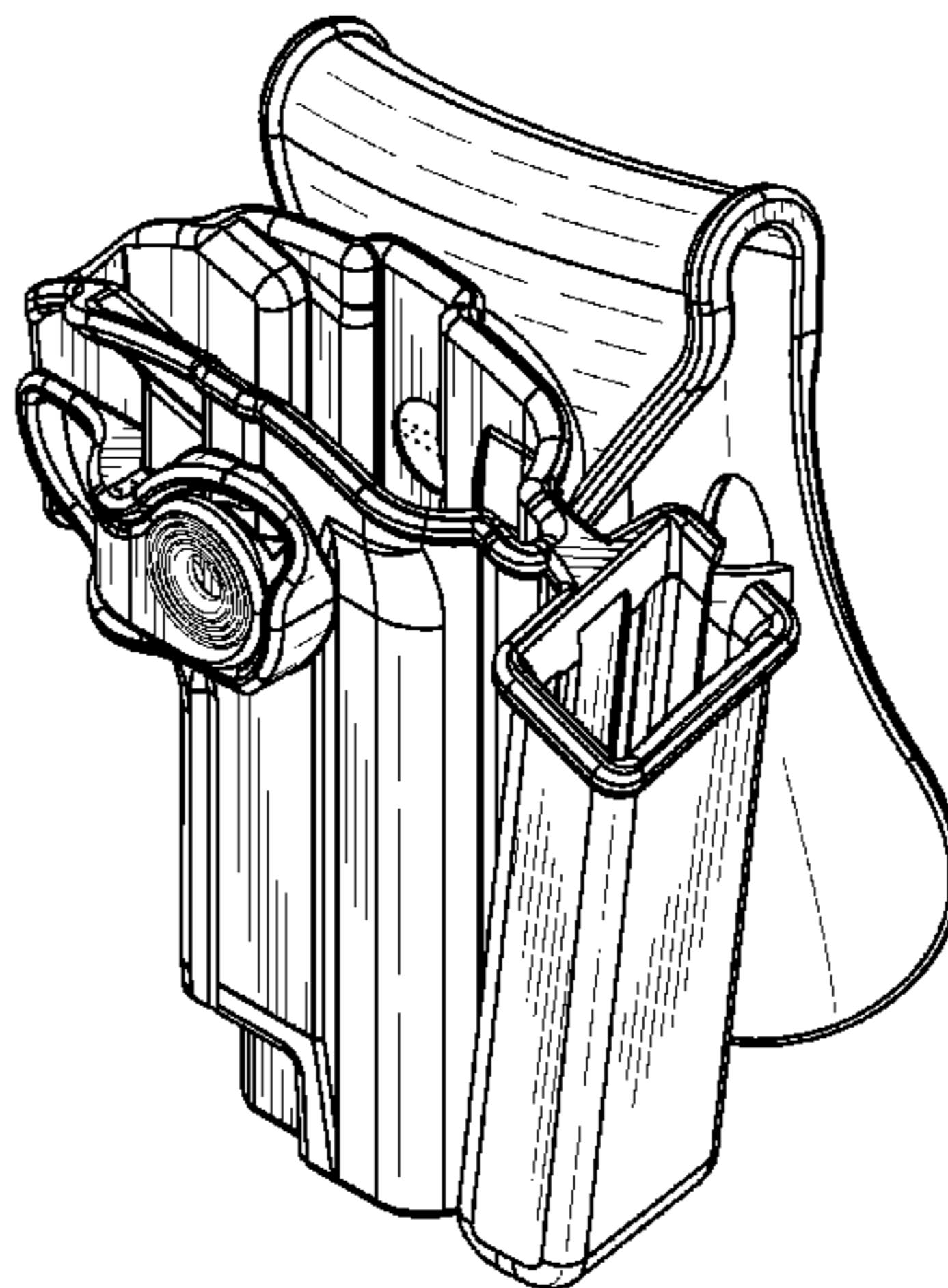
814,599 A	3/1906	Freyer	
837,156 A	11/1906	Townsend	
1,295,831 A	3/1919	Alderson	
2,347,006 A	4/1944	Tibbetts	224/2
2,408,678 A	10/1946	Paley	224/2
2,443,397 A	6/1948	Myers	224/2
2,765,968 A	10/1956	Gaylord	224/2
3,008,617 A	11/1961	Villwock	224/2
3,128,926 A	4/1964	Stella	224/2
3,707,250 A	12/1972	Esposito	224/2 B
3,731,858 A	5/1973	Baker	224/2 B
3,777,952 A	12/1973	Theodore	224/2 B
3,952,930 A	4/1976	Baldocchi	224/2 C
3,977,583 A	8/1976	Bianchi et al.	224/2 B
4,035,902 A	7/1977	Bianchi et al.	224/446
4,044,929 A	8/1977	Caruso	224/2 B
4,062,481 A	12/1977	Clark	224/2 B
4,065,039 A	12/1977	Bianchi et al.	224/2 B
4,084,734 A	4/1978	Bianchi et al.	224/2 B
4,101,060 A	7/1978	Bianchi et al.	224/2 B
4,143,798 A	3/1979	Perkins	224/243
4,205,768 A	6/1980	Hill et al.	224/193
4,218,000 A	8/1980	Mixson	224/911
4,258,871 A	3/1981	McMahon	224/192
4,270,680 A	6/1981	Bianchi	224/193

DESCRIPTION

FIG. 1 is a front and side perspective view of a pistol holster
and magazine pouch in accordance with my new design;
FIG. 2 is a rear and side perspective view thereof;
FIG. 3 is a front view thereof;
FIG. 4 is a top view thereof;
FIG. 5 is a rear view thereof;
FIG. 6 is a bottom view thereof;
FIG. 7 is a left view thereof; and,
FIG. 8 is a right view thereof.

The broken lines immediately adjacent the shaded areas rep-
resent the bounds of the claim, and all other broken lines are
for illustrative purposes only. None of the broken lines form a
part of the claimed design.

1 Claim, 4 Drawing Sheets



US D601,339 S

Page 2

U.S. PATENT DOCUMENTS

4,542,841 A	9/1985	Bianchi et al.	224/193	D392,458 S	3/1998	Batts	D3/222
4,577,787 A	3/1986	Hersey	224/243	5,865,357 A	2/1999	Goodwin	224/587
4,662,552 A	5/1987	Uyehara	224/251	5,875,944 A	3/1999	Beletsky	224/198
4,741,465 A	5/1988	Johnson	224/230	5,918,784 A	7/1999	Serpa	224/244
4,886,197 A	12/1989	Bowels et al.	224/243	5,996,865 A	12/1999	Bissey	224/275
4,925,075 A	5/1990	Rogers	224/244	6,154,997 A	12/2000	Aluotto et al.	42/90
4,953,769 A	9/1990	Parsons et al.	224/247	6,202,908 B1	3/2001	Groover	224/239
D311,277 S	10/1990	Cupp	D3/101	6,398,089 B1	6/2002	Har-Shen	224/192
4,966,321 A	10/1990	Outlaw	224/253	6,763,984 B2	7/2004	Gallagher	224/193
5,018,653 A	5/1991	Shoemaker	224/198	6,769,581 B2	8/2004	Rogers et al.	224/243
5,054,670 A	10/1991	Gallagher	224/191	D501,991 S	2/2005	Cook et al.	D3/222
5,100,036 A	3/1992	Rogers et al.	224/244	D507,104 S	7/2005	Gregory et al.	D3/222
D327,367 S	6/1992	Carrow et al.	D3/101	D508,318 S	8/2005	Gregory et al.	D3/222
D331,497 S	12/1992	Dixon	D3/101	6,948,644 B1	9/2005	Beletsky	224/193
5,174,482 A	12/1992	Rogers et al.	224/239	D512,561 S	12/2005	Cook et al.	D3/222
5,209,383 A	5/1993	Theodore	224/193	7,028,426 B1	4/2006	Viani	42/70.07
5,251,798 A	10/1993	Theodore	224/193	7,032,342 B2	4/2006	Pikielny	42/146
5,251,799 A	10/1993	Theodore	224/206	7,117,625 B2	10/2006	Pikielny	42/90
5,265,781 A	11/1993	Nichols	224/198	7,191,556 B2	3/2007	Pikielny	42/7
5,275,317 A	1/1994	Rogers et al.	224/244	7,216,450 B2	5/2007	Pikielny	42/71.01
5,282,559 A	2/1994	Wisser et al.	224/243	7,258,259 B1	8/2007	Owens	224/193
5,419,472 A	5/1995	Hellweg et al.	224/198	D567,501 S	4/2008	Zusman	D3/222
5,421,497 A	6/1995	Gilmore	224/198	D568,043 S	5/2008	Zusman	D3/222
5,484,093 A	1/1996	Hellweg et al.	224/253	D574,147 S	8/2008	Zusman	D3/222
5,544,794 A	8/1996	Nichols	224/667	2005/0223614 A1	10/2005	Pikielny	42/50
D373,242 S	9/1996	Beletsky	D3/222	2005/0268518 A1	12/2005	Pikielny	42/90
5,551,610 A	9/1996	Clifton, Jr.	224/197	2005/0268519 A1	12/2005	Pikielny	42/124
5,570,830 A	11/1996	Nichols	224/676	2006/0130386 A1	6/2006	Pikielny	42/85
5,632,426 A	5/1997	Beletsky et al.	224/243	2006/0236583 A1	10/2006	Pikielny	42/85
				2007/0017140 A1	1/2007	Pikielny	42/87
				2007/0084101 A1	4/2007	Pikielny	42/71.01

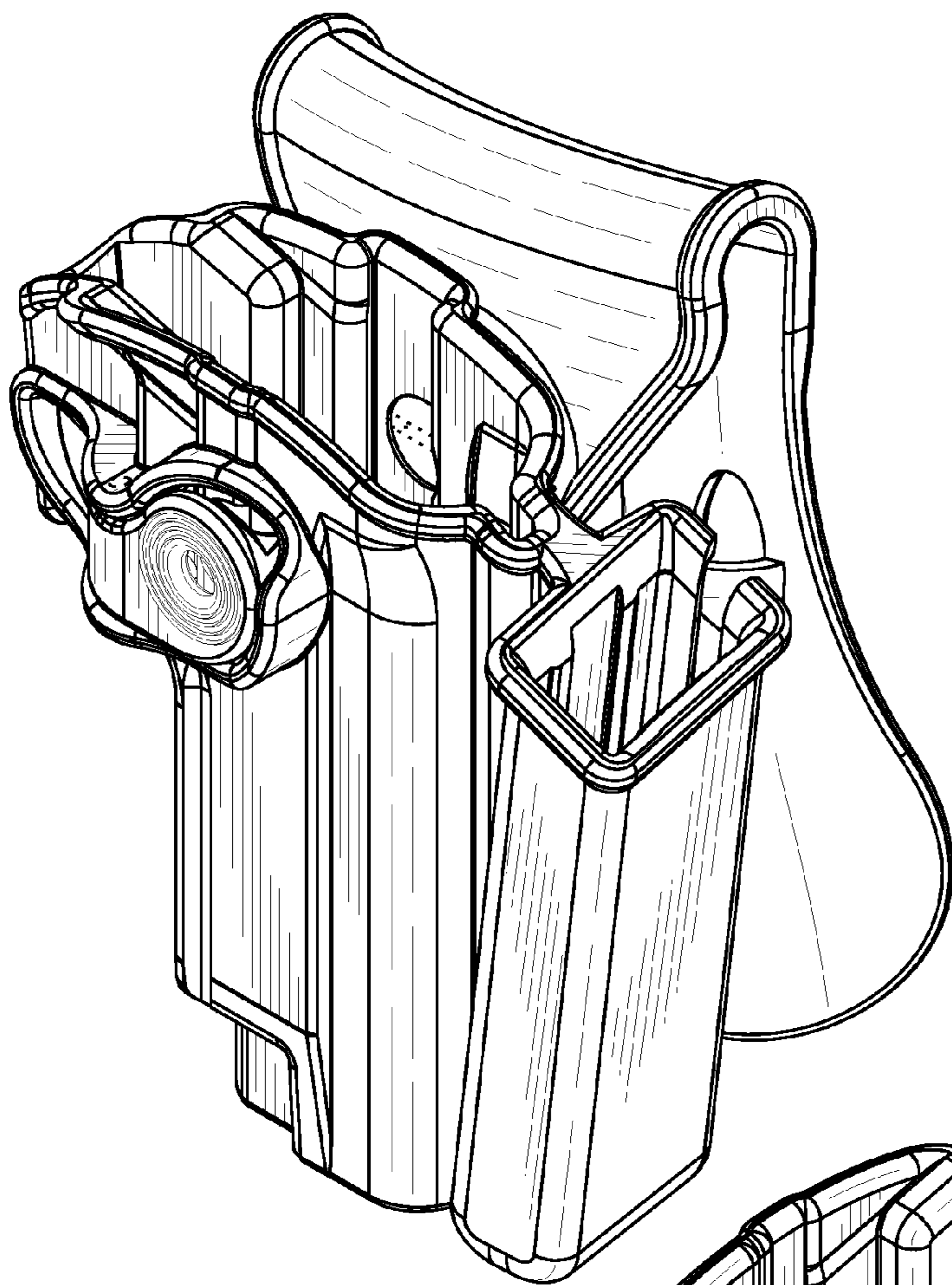


FIG. 1

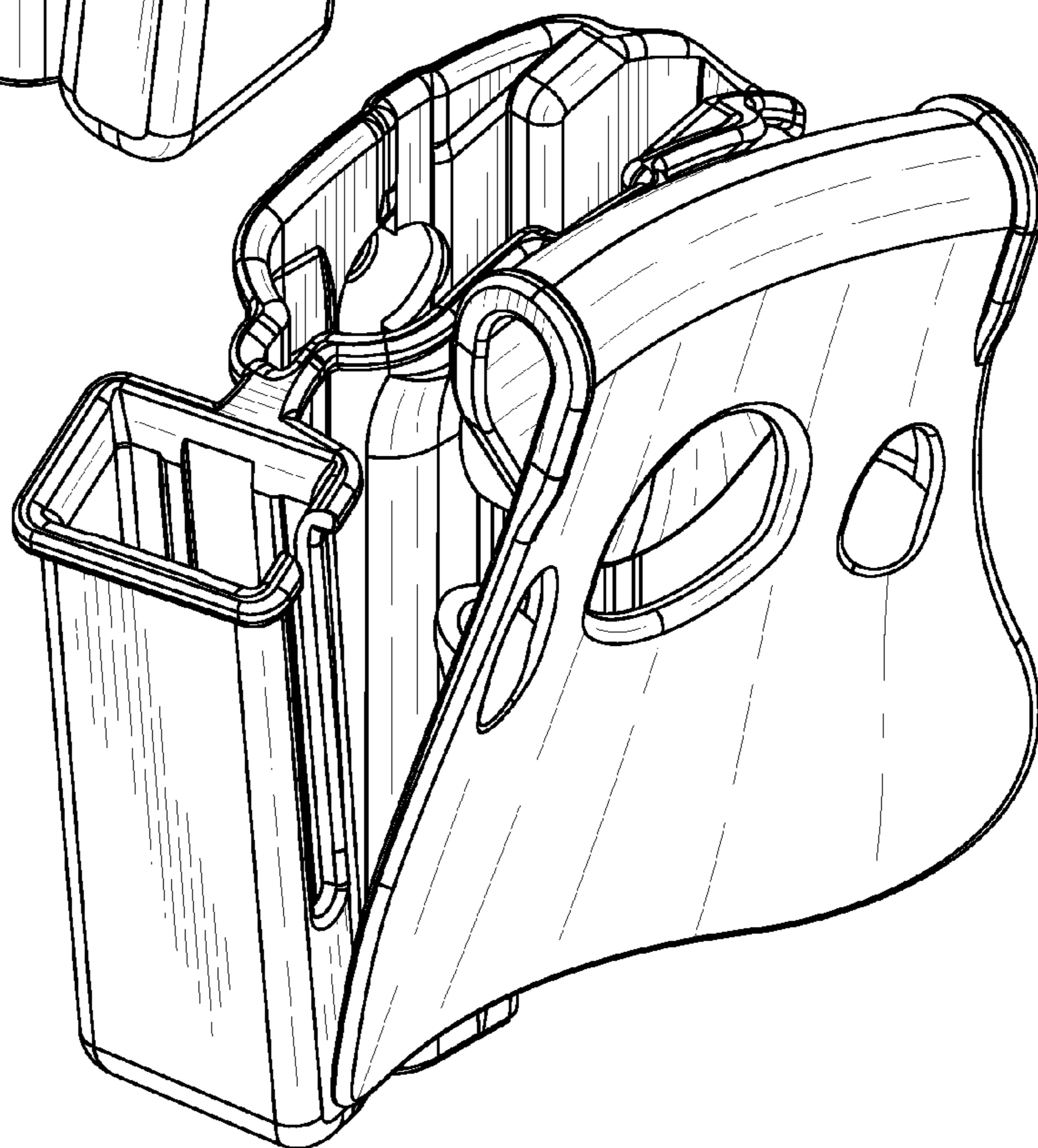


FIG. 2

FIG. 3

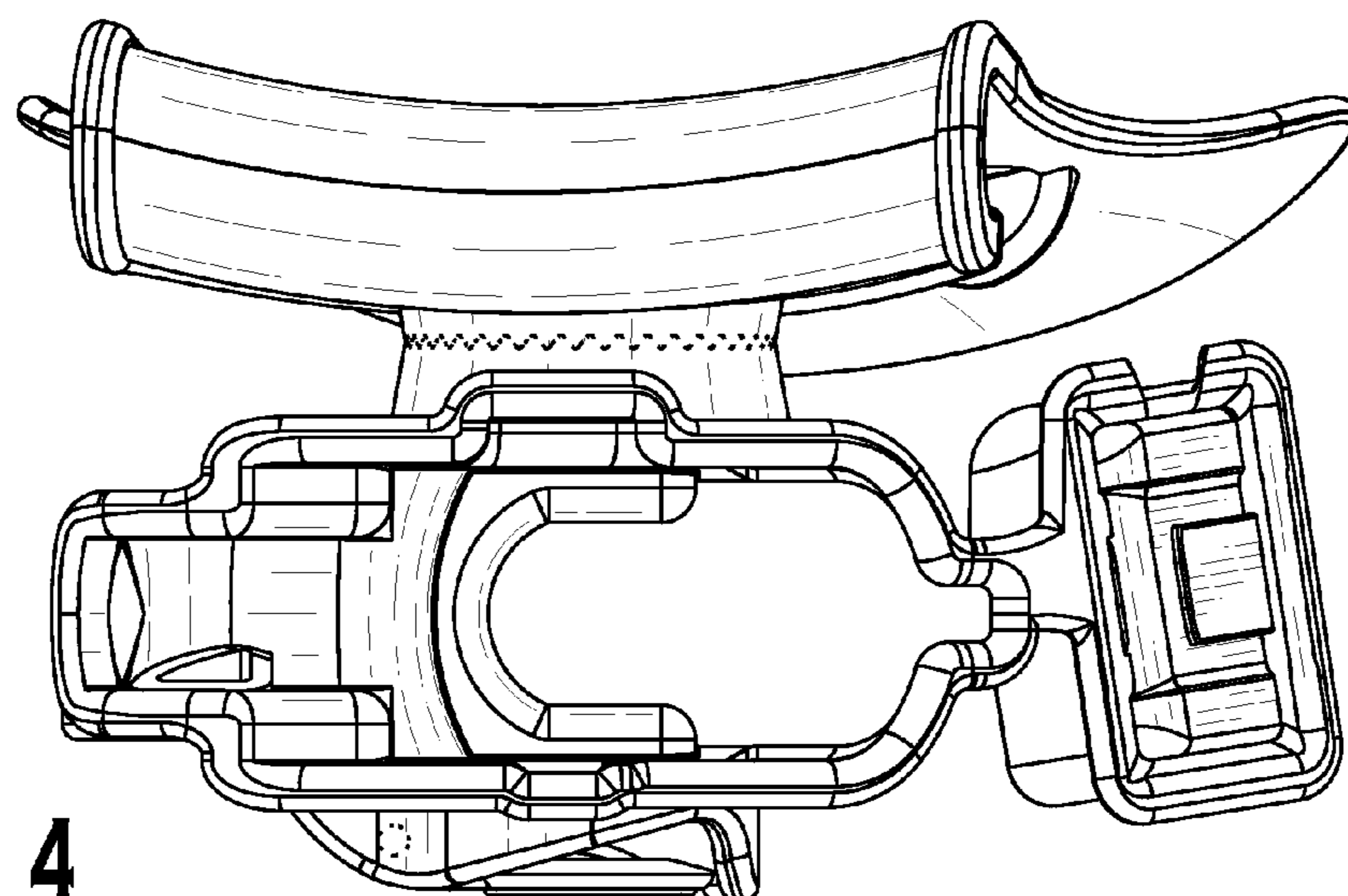
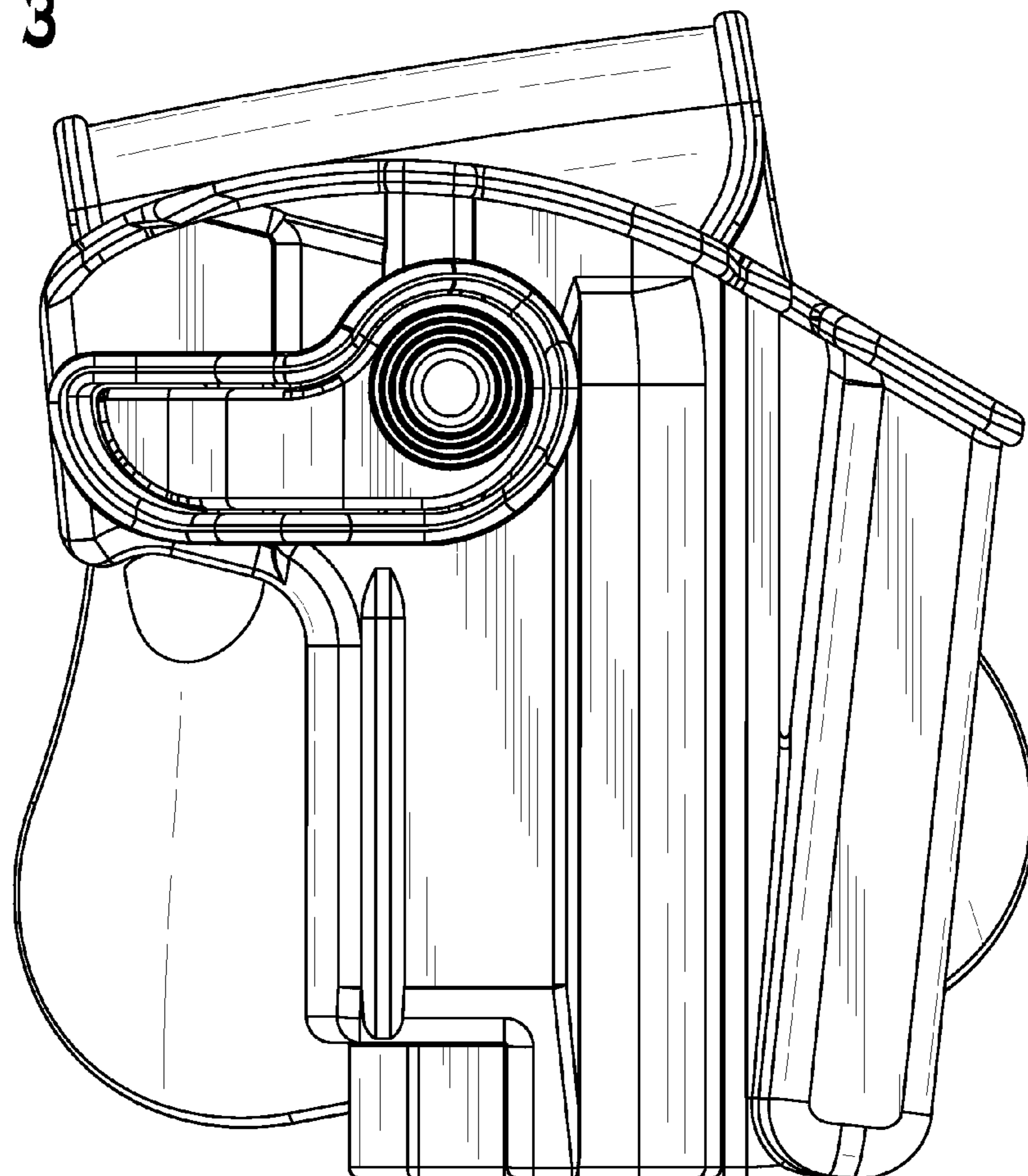


FIG. 4

FIG. 5

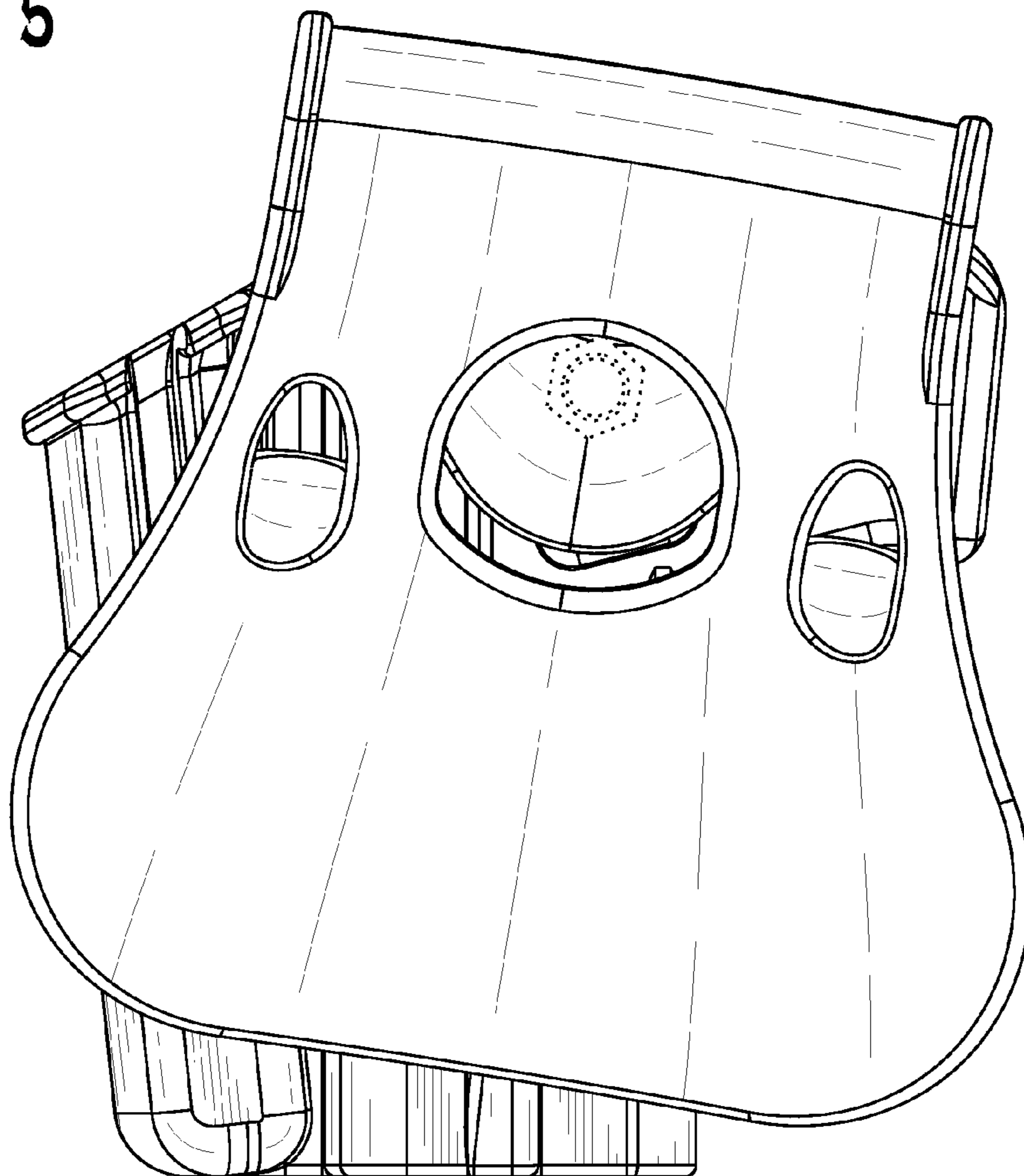
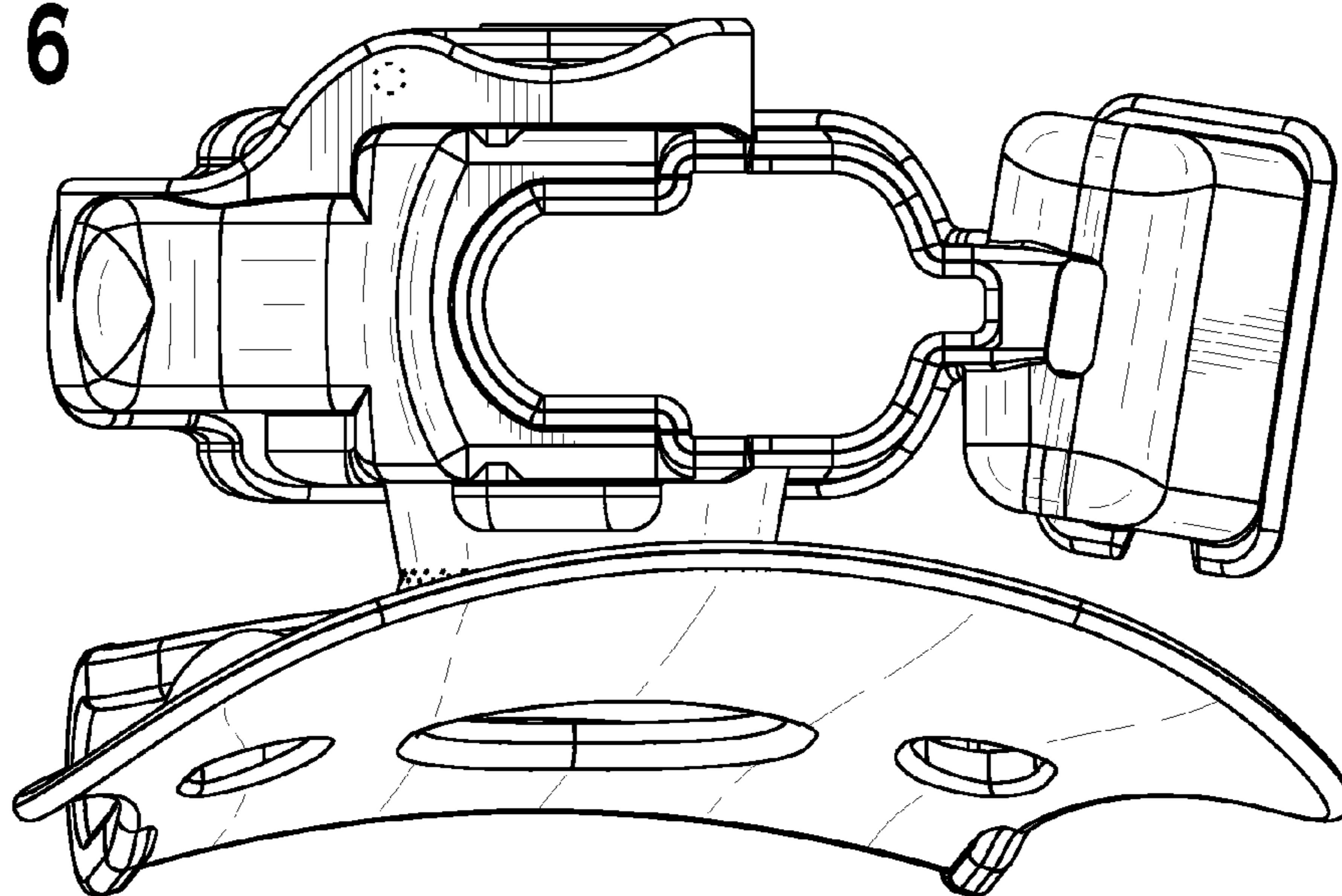


FIG. 6



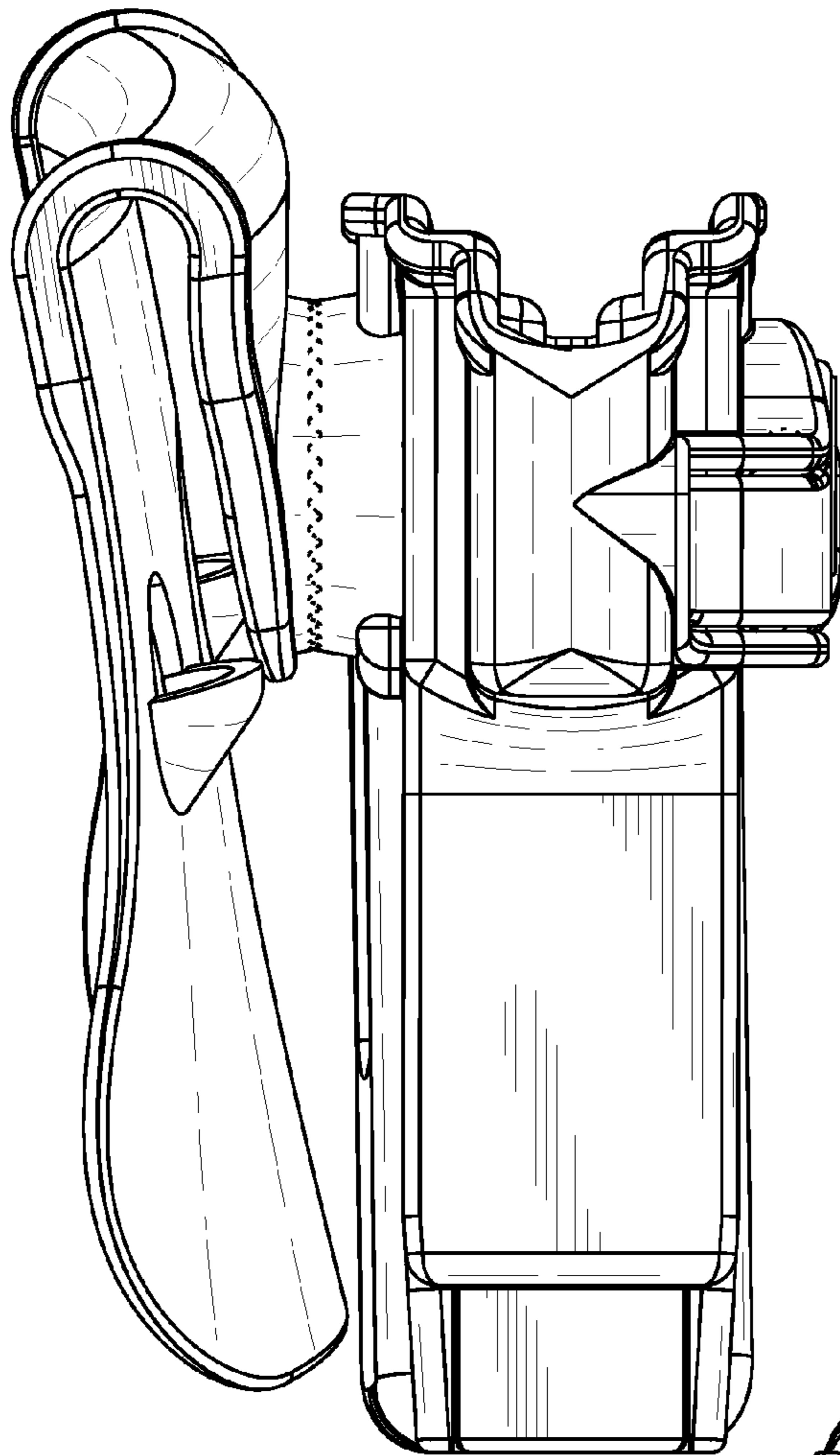


FIG. 7

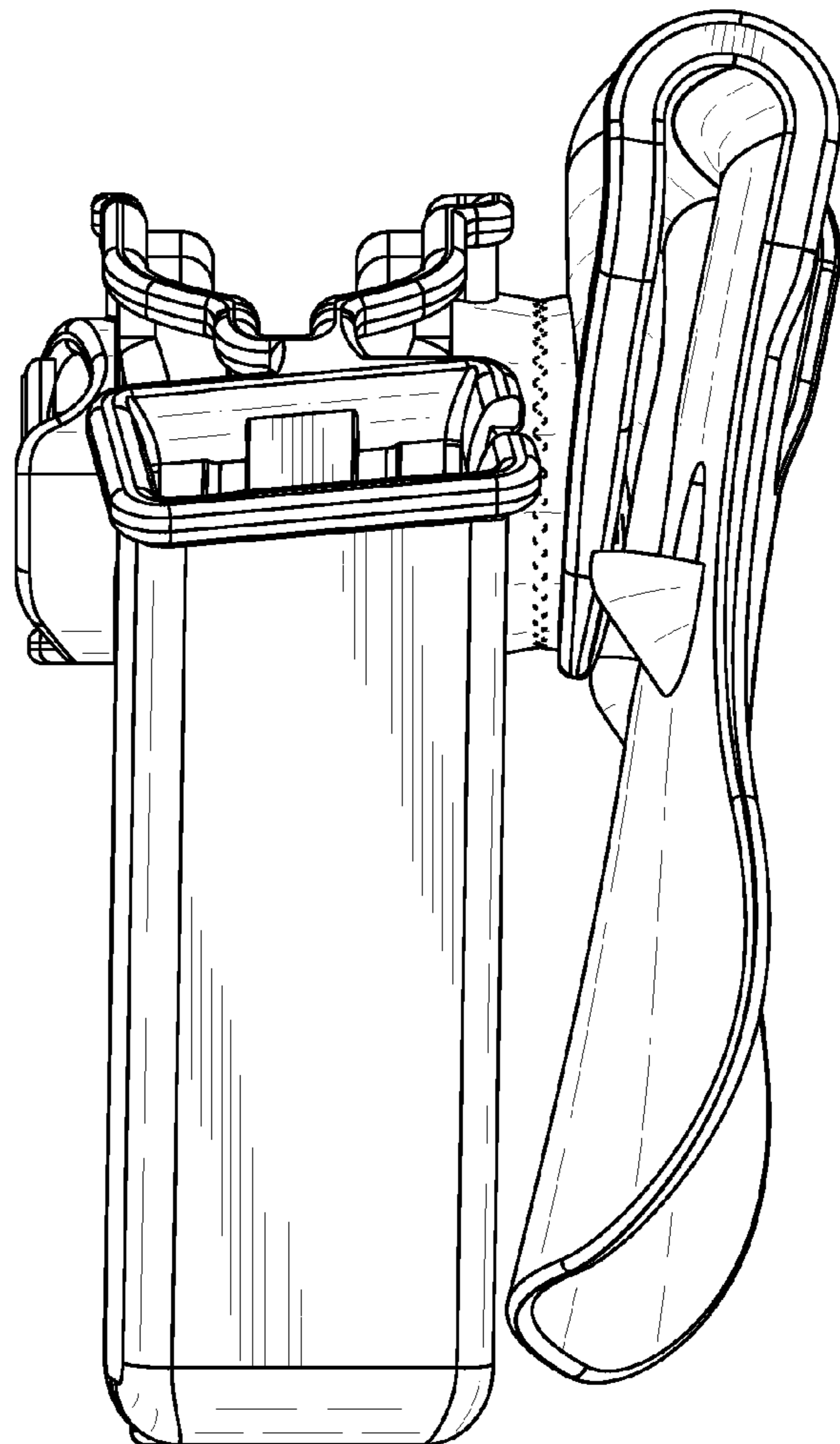


FIG. 8