



US00D601332S

(12) **United States Design Patent**
Lopez

(10) **Patent No.:** **US D601,332 S**
(45) **Date of Patent:** **** Oct. 6, 2009**

(54) **HAT**
(75) Inventor: **Leslie Lopez**, San Antonio, TX (US)
(73) Assignee: **Glowman Costumes, LLC**, San Antonio, TX (US)
(**) Term: **14 Years**
(21) Appl. No.: **29/303,195**
(22) Filed: **Feb. 1, 2008**
(51) **LOC (9) Cl.** **02-03**
(52) **U.S. Cl.** **D2/892**
(58) **Field of Classification Search** D2/865,
D2/866, 875, 877, 881, 891, 892, 895; 2/171,
2/174, 209.13, 209.3, 200.1; 132/273; 362/106
See application file for complete search history.

D345,764 S 4/1994 Duncan et al. D20/31
5,567,054 A 10/1996 Dalgleish 383/10
D375,760 S 11/1996 Hayden D20/31
5,613,756 A 3/1997 Allen 362/103
5,809,567 A 9/1998 Jacobs et al. 2/1
D403,359 S 12/1998 Dahl D20/31
D440,744 S * 4/2001 Shu D2/886
6,431,724 B1 8/2002 Tedham et al. 362/154
6,715,153 B2 * 4/2004 Mitsuhashi 2/181
6,746,303 B2 6/2004 Beidokhti 446/374
6,854,131 B1 2/2005 Spongberg 2/69
6,860,614 B1 3/2005 Pinciario 362/34
6,864,131 B2 3/2005 Thornton 436/169
6,908,206 B1 6/2005 Pinciario 362/34
6,964,493 B1 11/2005 Whitlock 362/103
D535,458 S * 1/2007 Stuckman D2/866
7,222,980 B1 5/2007 Pinciario 362/34
D553,196 S 10/2007 Canon D20/31

(Continued)

(56) **References Cited**

U.S. PATENT DOCUMENTS

48,412 A * 6/1865 Komp 2/171
207,353 A * 8/1878 Harrington 2/171
353,693 A * 12/1886 Mahan 40/329
433,732 A 8/1890 Horstmann 2/1
595,176 A * 12/1897 Jones 2/181.4
D34,388 S * 4/1901 Benson D2/892
D58,447 S 7/1921 McKinley D2/741
D102,204 S 12/1936 Couchman D2/741
D103,915 S * 3/1937 Rich et al. D2/892
D114,199 S 4/1939 Retenmeyer D20/31
D130,025 S 10/1941 Kilgariff D20/31
2,528,639 A 11/1950 Clayton 2/216
2,623,213 A * 12/1952 Provitola et al. 2/171.03
D193,101 S 6/1962 Del Grosso D2/741
D197,114 S 12/1963 Crowle D2/741
3,395,484 A 8/1968 Smith 446/374
3,693,283 A 9/1972 Marcus 446/28
D231,957 S * 7/1974 Veltri D2/886
4,154,183 A 5/1979 Nunez 2/302
D252,936 S 9/1979 Tibbits D21/578
D274,384 S * 6/1984 Koffman et al. D2/869
4,682,373 A * 7/1987 Baran 2/175.1
D310,751 S * 9/1990 Finley D2/866
4,963,117 A 10/1990 Gualdoni 446/219
5,054,122 A * 10/1991 Sher 2/7

OTHER PUBLICATIONS

Eight (8) pages printed on Jul. 31, 2008 from <http://www.coolest-homeade-costumes.com/glow-in-the-dark-costume.html>; date is unknown, though the printed pages state that the depicted costume is "3rd Place Winner of our 2007 Homemade Halloween Costumes Contest"; the 2 images of the costume appear to be front and back images of the same costume.

(Continued)

Primary Examiner—Elizabeth A Albert
Assistant Examiner—Karen E Eldridge Powers
(74) *Attorney, Agent, or Firm*—Fulbright & Jaworski, LLP

(57) **CLAIM**

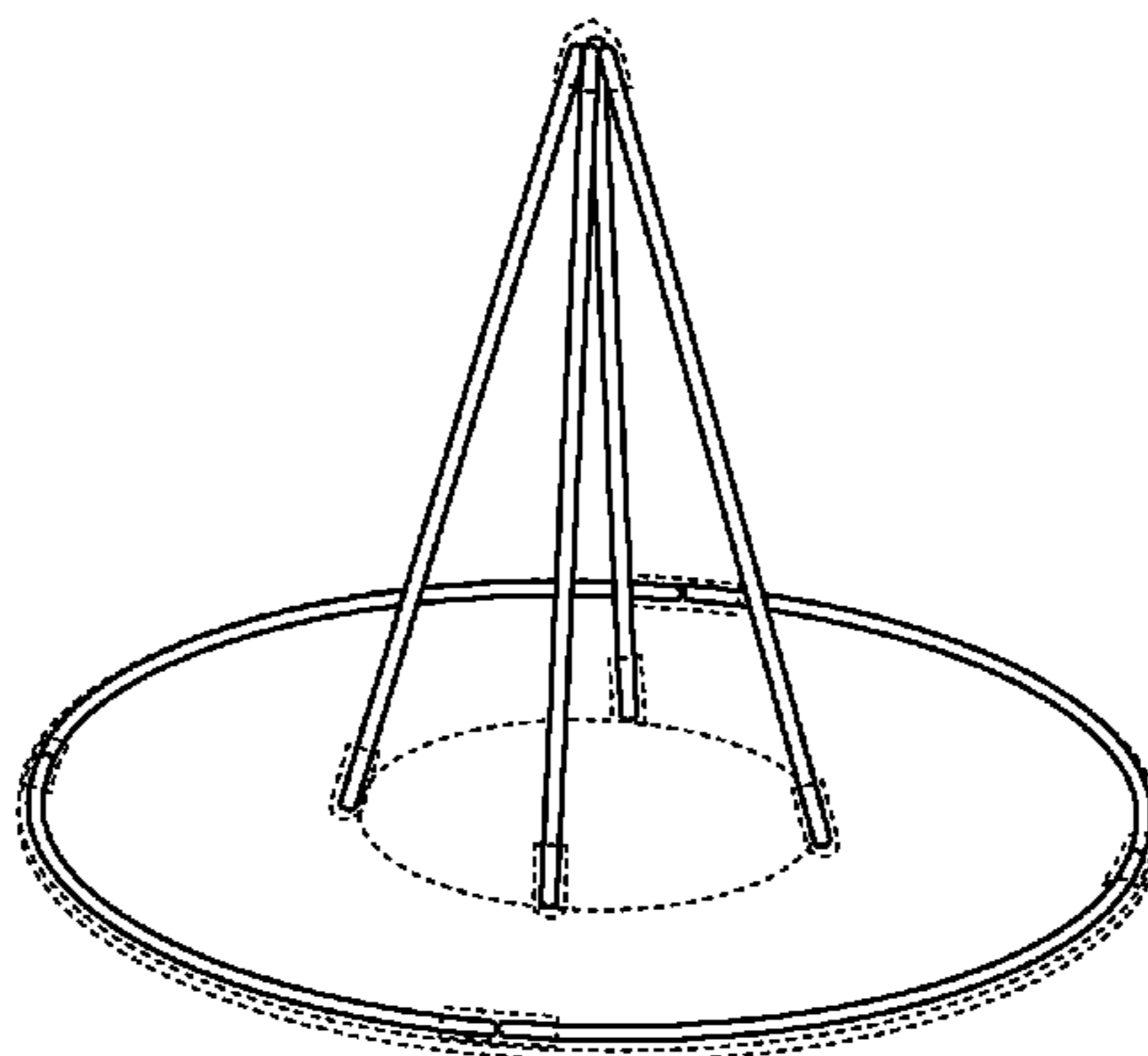
The ornamental design for a hat, as shown and described.

DESCRIPTION

FIG. 1 is a perspective view of a hat showing my new design; FIG. 2 is a top view of the hat shown in FIG. 1; and, FIG. 3 is a front view of the hat shown in FIG. 1.

The broken lines represent environmental structure that forms no part of the claimed design.

1 Claim, 1 Drawing Sheet



U.S. PATENT DOCUMENTS

D568,407 S 5/2008 Francis D20/43
2003/0026089 A1 2/2003 Hsu 362/103
2003/0115656 A1 6/2003 Leblang 2/69
2003/0150545 A1 8/2003 Szczesuil et al. 156/145

OTHER PUBLICATIONS

Fifteen (15) color screen shots of a video (“Glowing stick costumes”) taken from <http://abc.go.com/primetime/afv/index?pn=player&itemId=364331>, a page on the website for America’s Funniest

Home Videos; the date is unknown, but the video from which the screen shots were taken is listed on the web page as “Aired on Oct. 26, 2006” and “Added on Jun. 13, 2007 by AFV.”

Six (6) pages printed from <http://www.xanga.com/unity303/624810650/ glowstick-man-glowstick-girl.html>; the date is unknown, but the blog post lists “Nov. 2, 2007.” The third of the 6 pages shows a Youtube link to fifteen (15) videos that all shown some kind of costume(s) made with glowsticks.

Eight (8) pages printed on Jul. 31, 2008 from http://www.extremeglow.com/Merchant4/merchant.mvc?Screen=CTGY&Category_Code=ABOUTUS; the date is unknown.

* cited by examiner

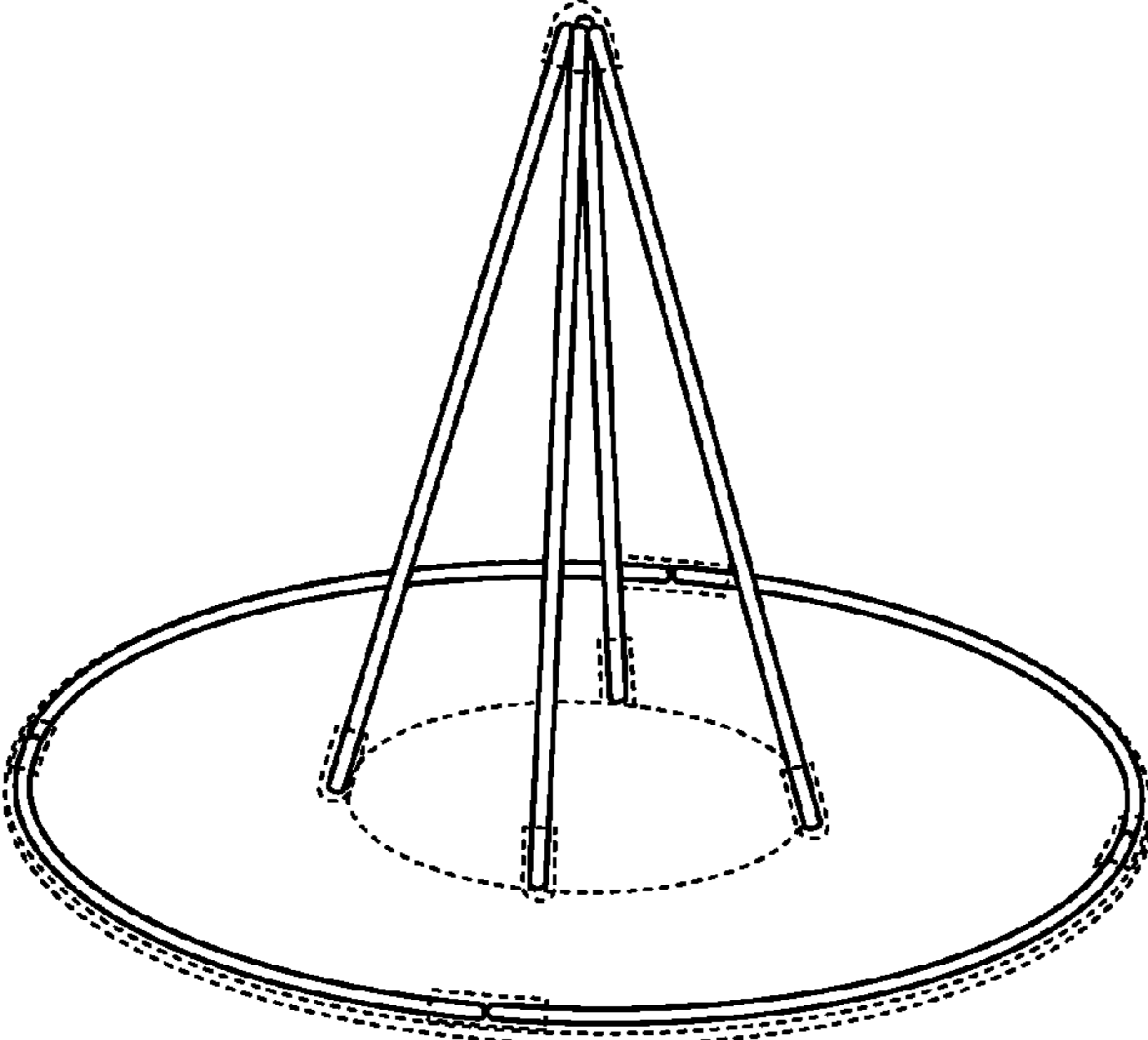


FIG. 1

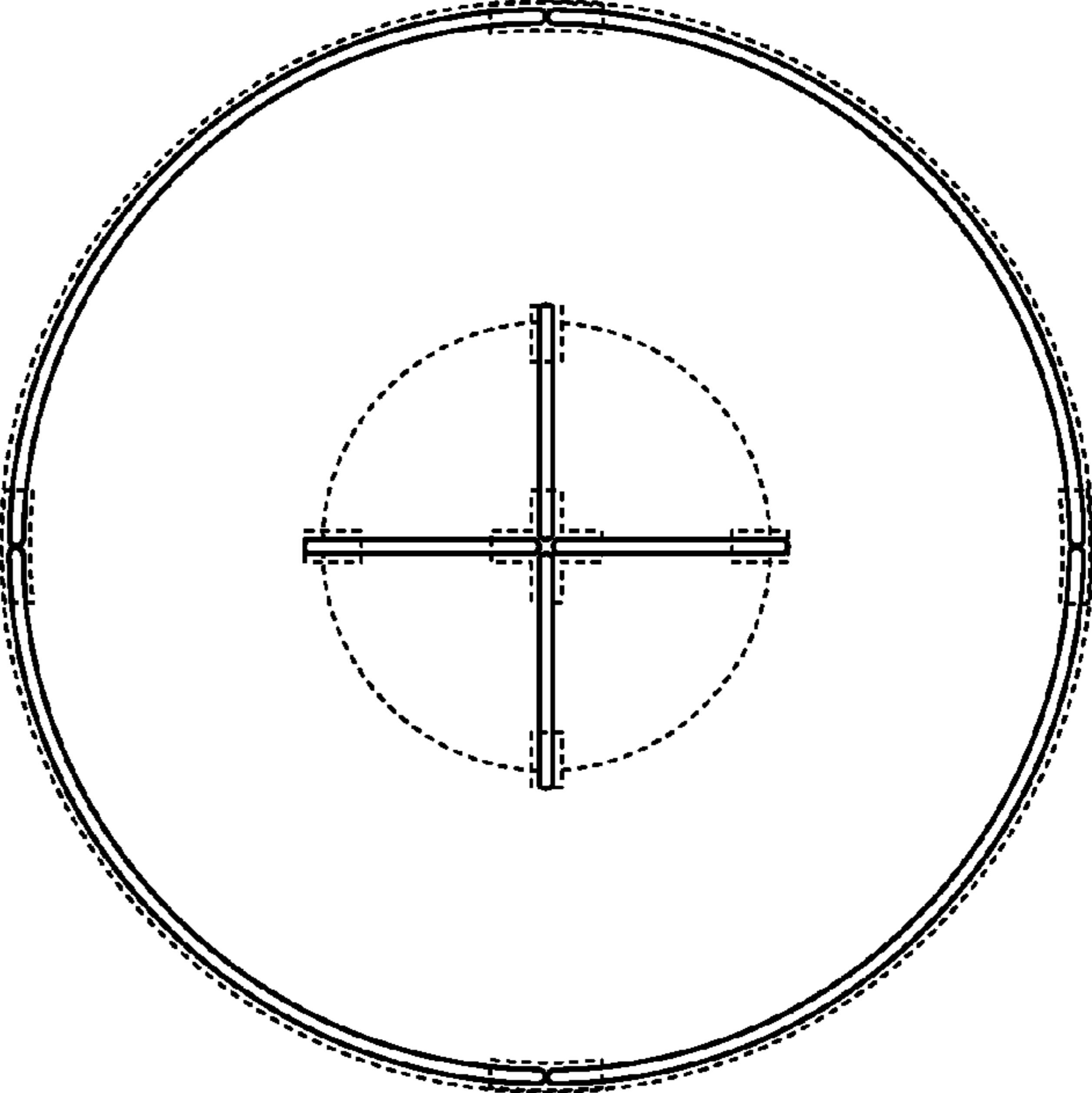


FIG. 2

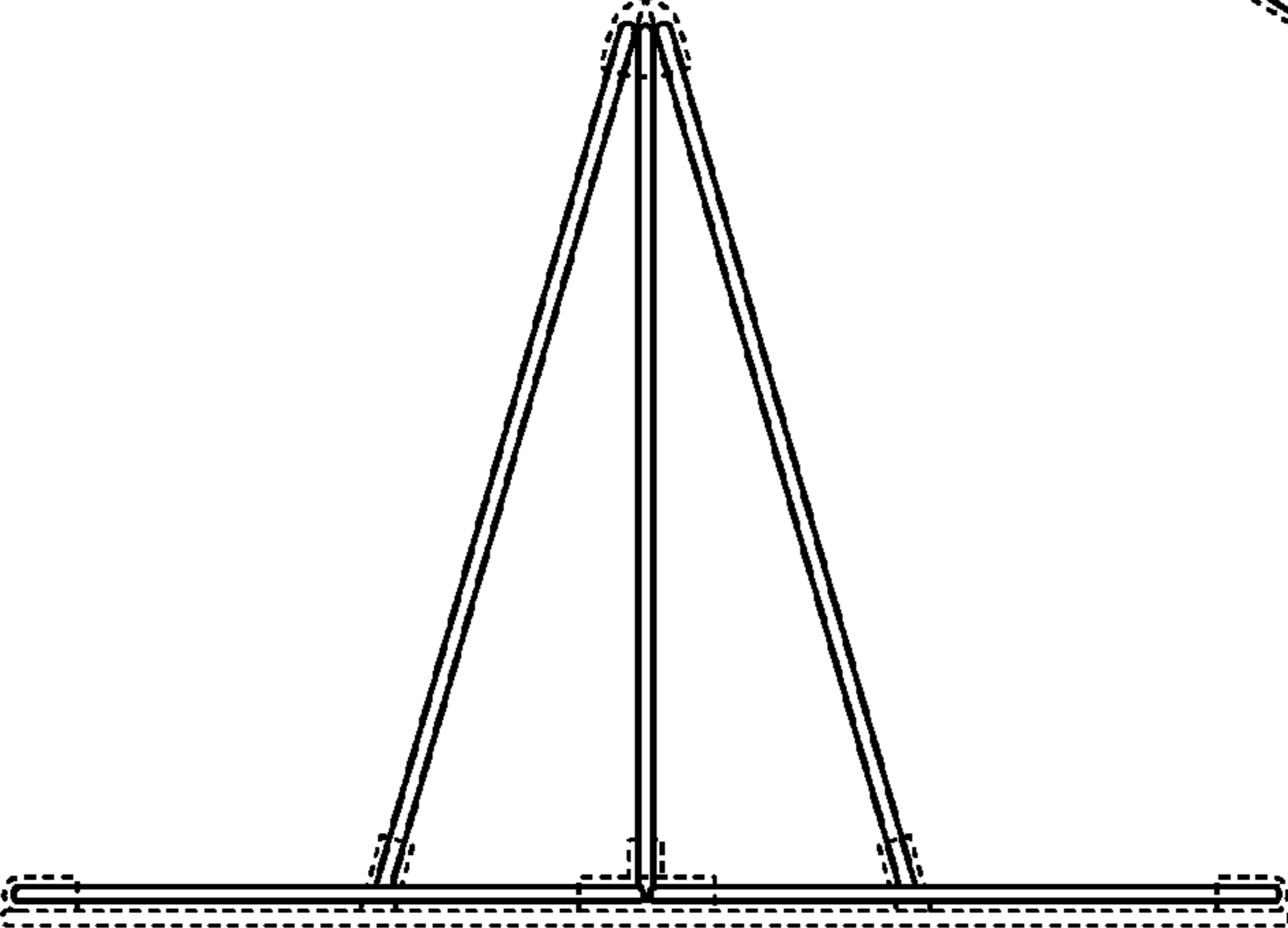


FIG. 3